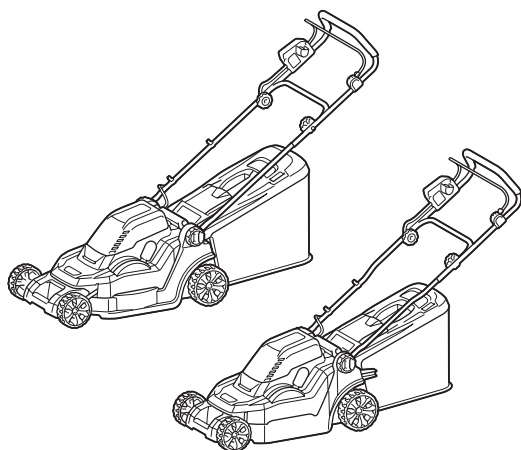




EN	Cordless Lawn Mower	INSTRUCTION MANUAL	7
FR	Tondeuse Sans Fil	MANUEL D'INSTRUCTIONS	17
DE	Akku Rasenmäher	BETRIEBSANLEITUNG	28
IT	Tosaerba a batteria	ISTRUZIONI PER L'USO	40
NL	Accugrasmaaier	GEBRUIKSAANWIJZING	51
ES	Cortadora de Césped	MANUAL DE INSTRUCCIONES	62
PT	Cortadora de Grama a Bateria	MANUAL DE INSTRUÇÕES	73
DA	Akku-plæneklipper	BRUGSANVISNING	84
EL	Μηχανή γκαζόν με μπαταρία	ΕΓΧΕΙΡΙΔΙΟ ΟΔΗΓΙΩΝ	94
TR	Akülü Çim Biçme Makinesi	KULLANMA KILAVUZU	106

DLM382 **DLM432**



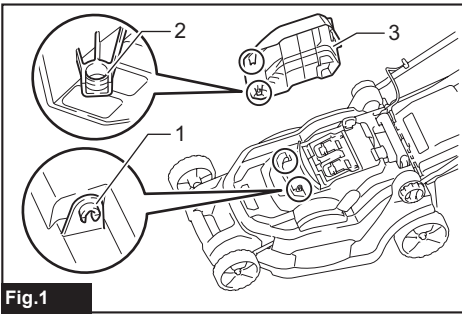


Fig.1

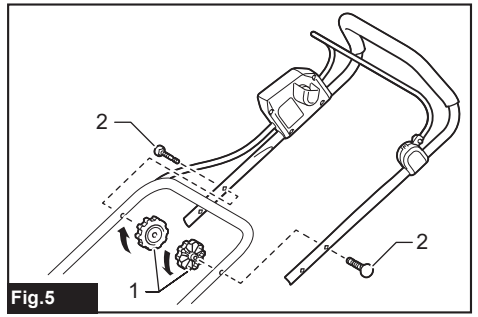


Fig.5

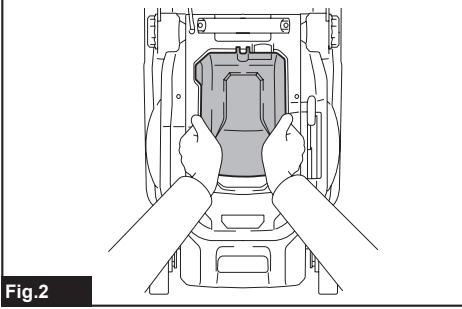


Fig.2

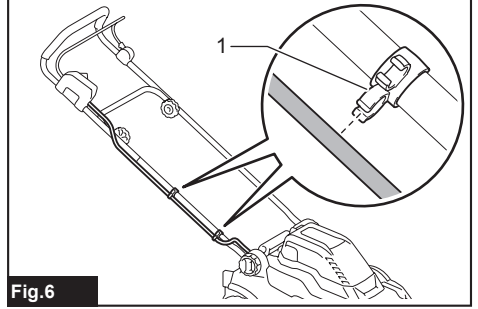


Fig.6

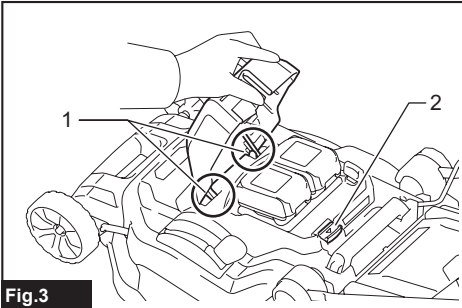


Fig.3

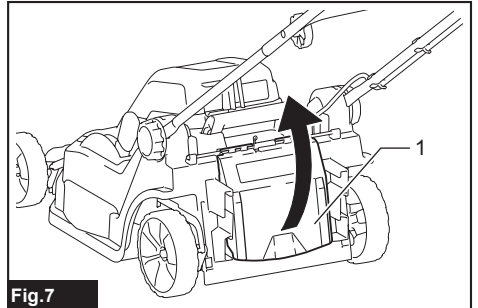


Fig.7

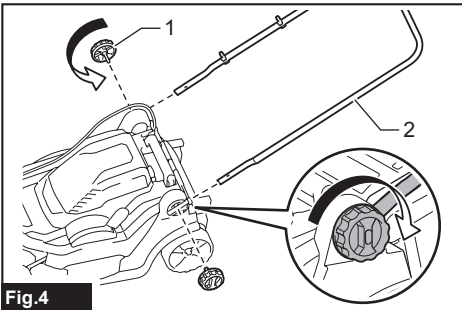


Fig.4

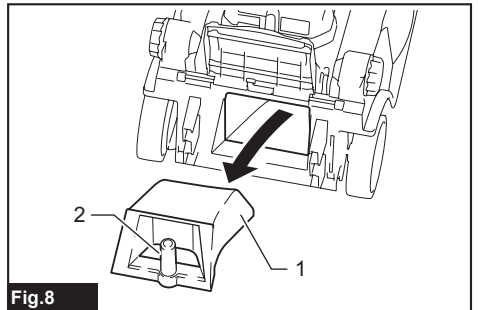


Fig.8

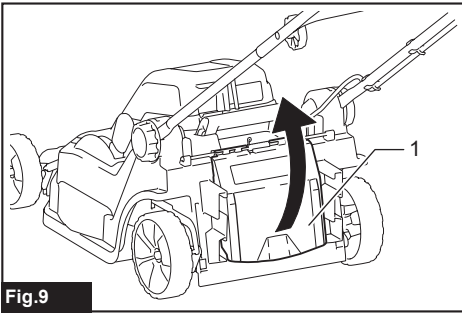


Fig.9

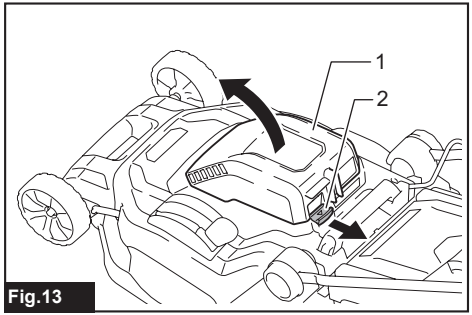


Fig.13

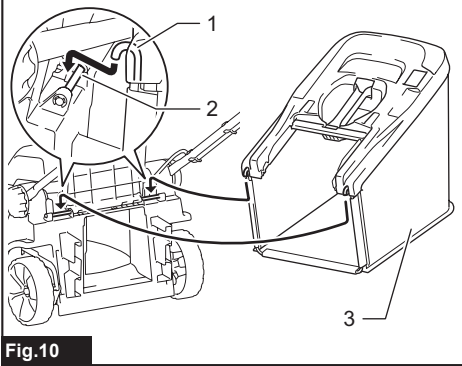


Fig.10

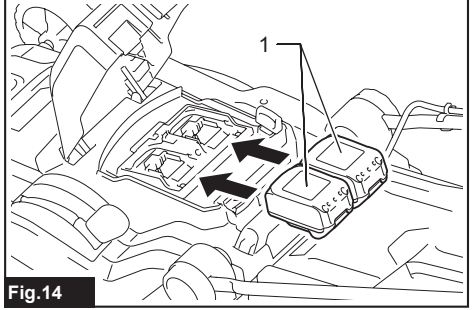


Fig.14

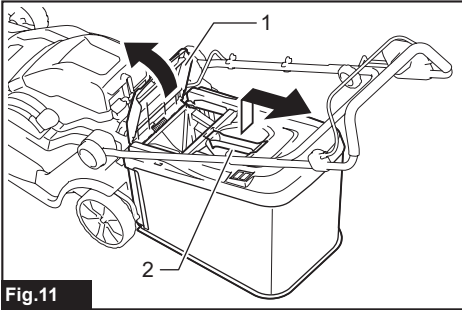


Fig.11

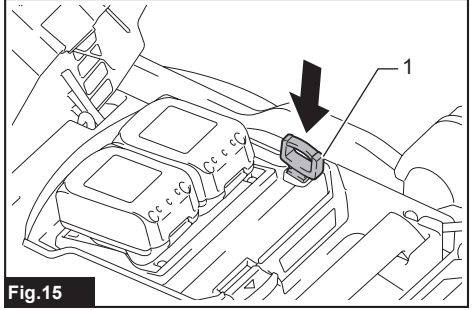


Fig.15

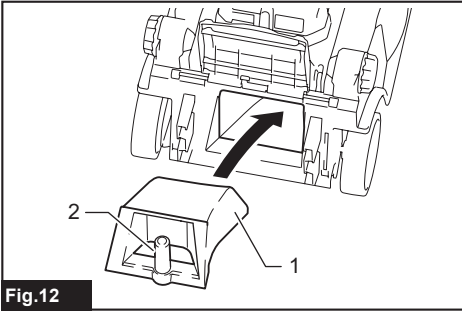


Fig.12

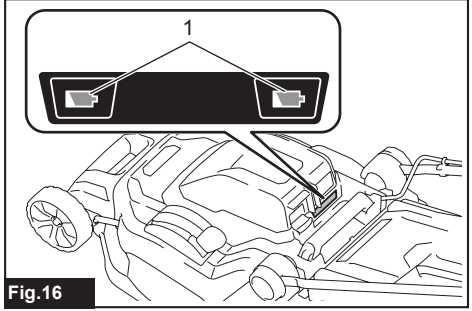


Fig.16

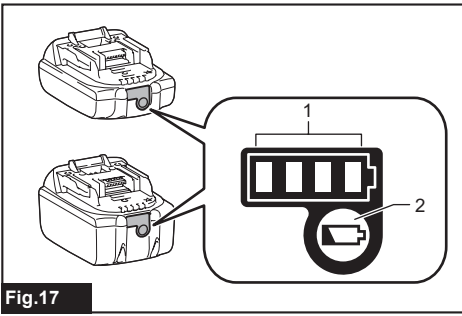


Fig.17

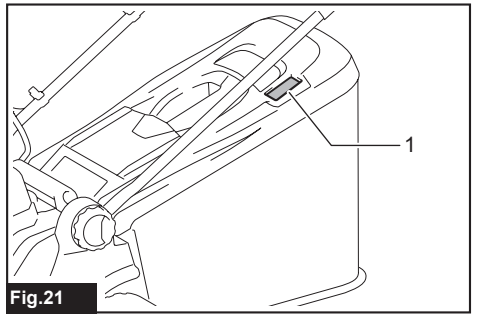


Fig.21

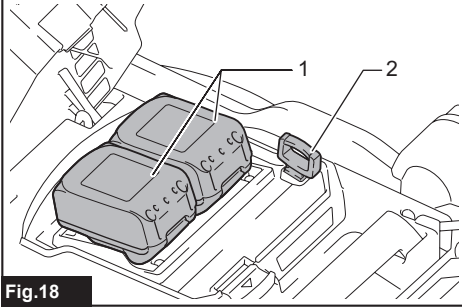


Fig.18

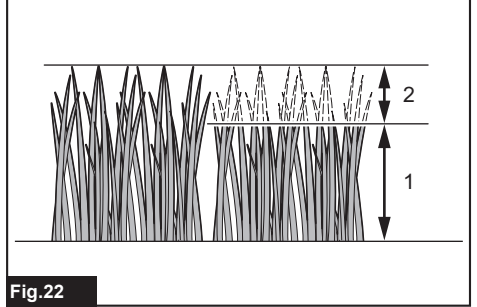


Fig.22

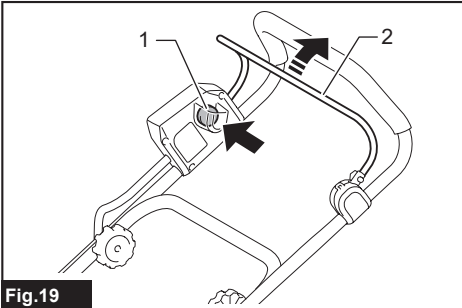


Fig.19



Fig.23

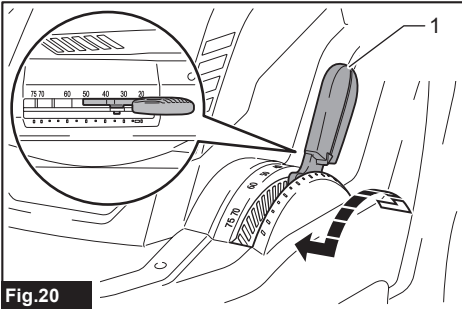


Fig.20

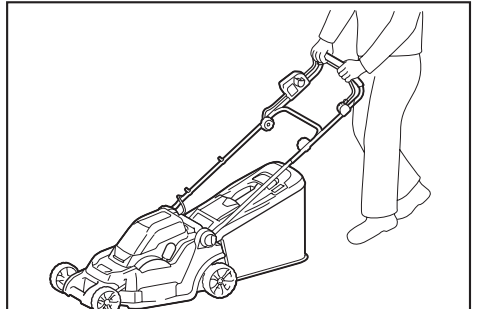


Fig.24

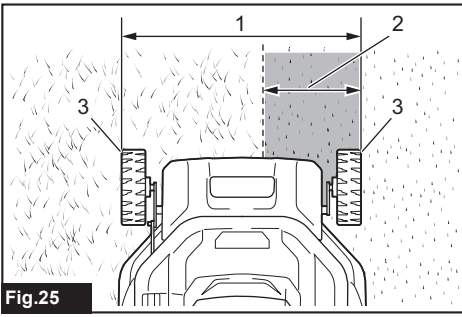


Fig.25

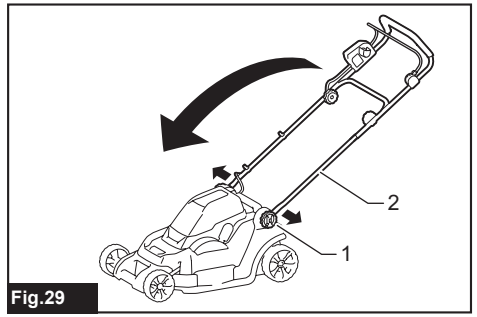


Fig.29

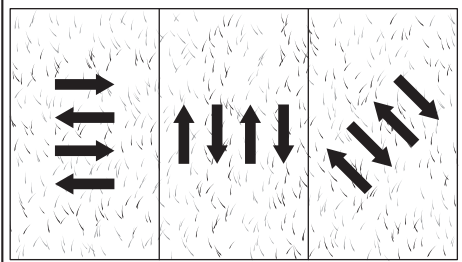


Fig.26

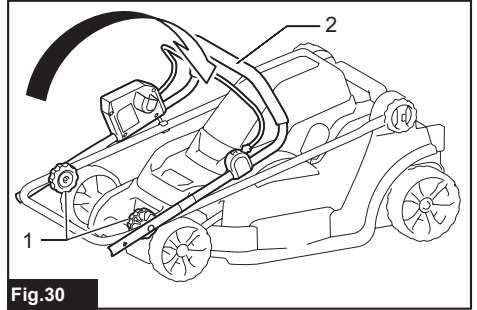


Fig.30

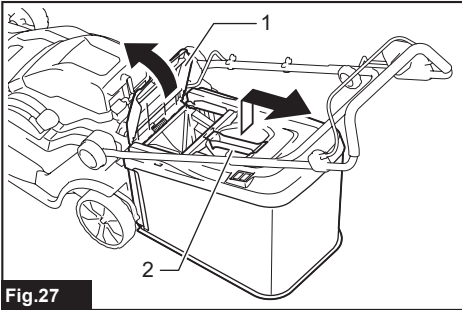


Fig.27

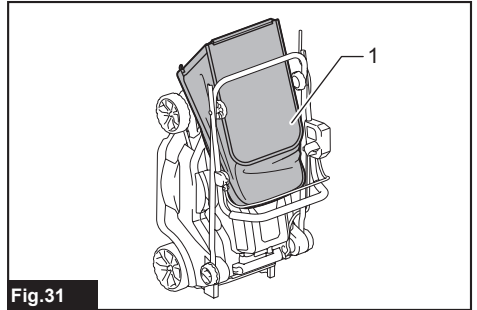


Fig.31

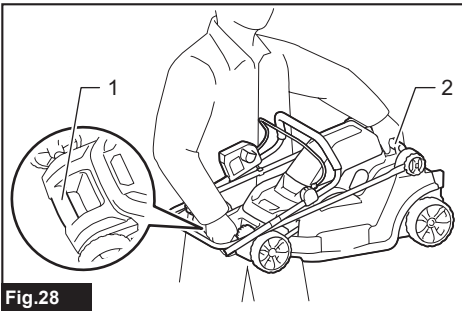


Fig.28

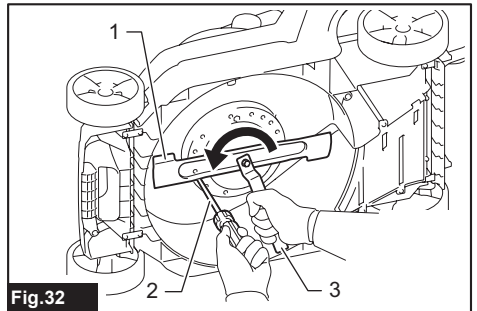
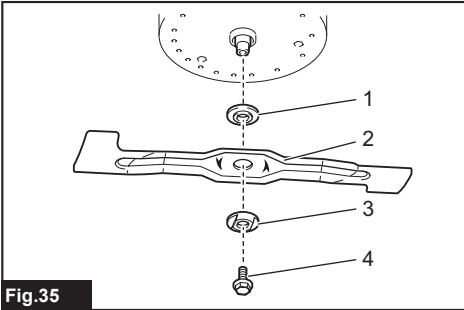
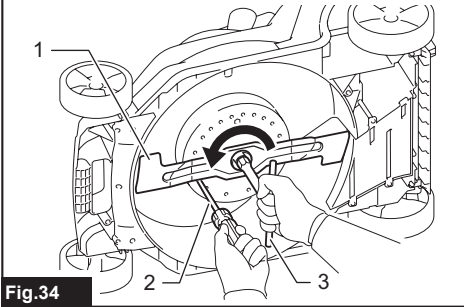
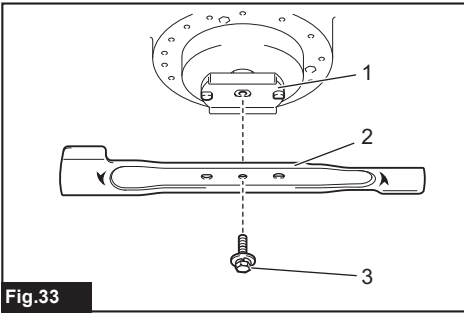


Fig.32



SPECIFICATIONS

Model:		DLM382	DLM432
Mowing width (blade diameter)		380 mm	430 mm
No load speed		3,700 min ⁻¹	3,600 min ⁻¹
Part number of replacement mower blade		191D41-2	191D43-8
Dimensions (L x W x H)	during operation	L: 1,380 mm to 1,410 mm W: 450 mm H: 985 mm to 1,005 mm	L: 1,435 mm to 1,490 mm W: 460 mm H: 1,005 mm to 1,045 mm
	when stored (without grass basket)	860 mm x 450 mm x 475 mm	865 mm x 460 mm x 475 mm
Rated voltage		D.C. 36 V	
Net weight		15.0 - 16.5 kg	15.4 - 17.1 kg

- Due to our continuing program of research and development, the specifications herein are subject to change without notice.
- Specifications may differ from country to country.
- The weight may differ depending on the attachment(s), including the battery cartridge. The lightest and heaviest combination, according to EPTA-Procedure 01/2014, are shown in the table.

Applicable battery cartridge and charger

Battery cartridge	BL1815N / BL1820 / BL1820B / BL1830 / BL1830B / BL1840 / BL1840B / BL1850 / BL1850B / BL1860B
Charger	DC18RC / DC18RD / DC18RE / DC18SD / DC18SE / DC18SF / DC18SH







- Some of the battery cartridges and chargers listed above may not be available depending on your region of residence.

⚠ WARNING: Only use the battery cartridges and chargers listed above. Use of any other battery cartridges and chargers may cause injury and/or fire.

⚠ WARNING: Do not use a corded power supply such as battery adapter or portable power pack with this machine. The cable of such power supply may hinder the operation and result in personal injury.

Symbols

The followings show the symbols which may be used for the equipment. Be sure that you understand their meaning before use.

	Take particular care and attention.
	Read instruction manual.
	Danger; be aware of thrown objects.
	The distance between the tool and bystanders must be at least 15 m.
	Never put your hands and feet near the blade under the mower. Blades continue to rotate after the motor is switched off.
	Remove the lock key before inspecting, adjusting, cleaning, servicing, leaving and storing the mower.



Only for EU countries
Do not dispose of electric equipment or battery pack together with household waste material!

In observance of the European Directives, on Waste Electric and Electronic Equipment and Batteries and Accumulators and Waste Batteries and Accumulators and their implementation in accordance with national laws, electric equipment and batteries and battery pack(s) that have reached the end of their life must be collected separately and returned to an environmentally compatible recycling facility.

Intended use

The machine is intended for lawn mowing.

Noise

The typical A-weighted noise level determined according to EN60335-2-77:

Model DLM382

Sound pressure level (L_{pA}) : 81 dB(A)

Sound power level (L_{WA}) : 91 dB (A)

Uncertainty (K) : 3 dB(A)

Model DLM432

Sound pressure level (L_{pA}) : 81 dB(A)

Sound power level (L_{WA}) : 92 dB (A)

Uncertainty (K) : 3 dB(A)

NOTE: The declared noise emission value(s) has been measured in accordance with a standard test method and may be used for comparing one tool with another.

NOTE: The declared noise emission value(s) may also be used in a preliminary assessment of exposure.

⚠ WARNING: Wear ear protection.

⚠ WARNING: The noise emission during actual use of the power tool can differ from the declared value(s) depending on the ways in which the tool is used especially what kind of workpiece is processed.

⚠ WARNING: Be sure to identify safety measures to protect the operator that are based on an estimation of exposure in the actual conditions of use (taking account of all parts of the operating cycle such as the times when the tool is switched off and when it is running idle in addition to the trigger time).

Vibration

The vibration total value (tri-axial vector sum) determined according to EN60335-2-77:

Model DLM382

Vibration emission (a_h) : 2.5 m/s² or less

Uncertainty (K) : 2.0 m/s²

Model DLM432

Vibration emission (a_h) : 2.5 m/s² or less

Uncertainty (K) : 1.5 m/s²

NOTE: The declared vibration total value(s) has been measured in accordance with a standard test method and may be used for comparing one tool with another.

NOTE: The declared vibration total value(s) may also be used in a preliminary assessment of exposure.

⚠ WARNING: The vibration emission during actual use of the power tool can differ from the declared value(s) depending on the ways in which the tool is used especially what kind of workpiece is processed.

⚠ WARNING: Be sure to identify safety measures to protect the operator that are based on an estimation of exposure in the actual conditions of use (taking account of all parts of the operating cycle such as the times when the tool is switched off and when it is running idle in addition to the trigger time).

EC Declaration of Conformity

For European countries only

The EC declaration of conformity is included as Annex A to this instruction manual.

SAFETY WARNINGS

IMPORTANT SAFETY INSTRUCTIONS

⚠ WARNING: Read all safety warnings and all instructions. Failure to follow the warnings and instructions may result in electric shock, fire and/or serious injury.

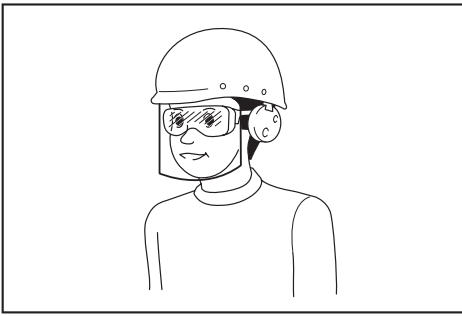
Save all warnings and instructions for future reference.

Training

1. Read the instructions carefully. Be familiar with the controls and the proper use of the mower.
2. Never allow children or people unfamiliar with these instructions to use the mower. Local regulations can restrict the age of the operator.
3. Never operate the mower while people, especially children, or pets are nearby.
4. Keep in mind that the operator or user is responsible for accidents or hazards occurring to other people or their property.
5. Children should be supervised to ensure that they do not play with the mower.
6. Physical condition - Do not operate mower while under the influence of drugs, alcohol, or any medication.

Preparation

1. While operating the mower, always wear substantial footwear and long trousers. Do not operate the mower when barefoot or wearing open sandals. Avoid wearing clothing or jewelry that is loose fitting or that has hanging cords or ties. They can be caught in moving parts.
2. Before use, always visually inspect the mower for damaged, missing or misplaced guards or shields.
3. Be sure the area is clear of other people before mowing. Stop mower if anyone enters the area.
4. Do not insert the lock key into mower until it is ready to be used.
5. Always wear protective goggles to protect your eyes from injury when using power tools. The goggles must comply with ANSI Z87.1 in the USA, EN 166 in Europe, or AS/NZS 1336 in Australia/New Zealand. In Australia/New Zealand, it is legally required to wear a face shield to protect your face, too.



It is an employer's responsibility to enforce the use of appropriate safety protective equipments by the tool operators and by other persons in the immediate working area.

6. Check the blades or blade bolts carefully for cracks or damage before operation. Replace cracked or damaged blades or blade bolts immediately.
7. Remove foreign matters such as rocks, wire, bottles, bones and large sticks from the work area before mowing to prevent personal injury or damage to the mower.
8. Objects struck by the mower blade can cause severe injuries to persons. The lawn should always be carefully examined and cleared of all objects prior to each mowing.
9. Watch for holes, ruts, bumps, rocks, or other hidden objects. Uneven terrain could cause a slip and fall accident. Tall grass can hide obstacles.

Operation

1. Do not overreach. Keep the balance at all times. Always be sure of the footing on slopes. Walk, never run.
2. Stop the mower and remove the lock key, and make sure that all moving parts have come to a complete stop:
 - whenever you leave the mower,
 - before clearing blockages or unclogging chute,
 - before checking, cleaning or working on the mower,
 - after striking a foreign object. Inspect the mower for damage and make repairs before restarting and operating the mower,
 - whenever the mower starts vibrating abnormally.
3. Never operate the mower with defective guards or shields, or without safety devices, for example deflectors and/or grass basket, in place.
4. Avoid using the mower in bad weather conditions especially when there is a risk of lightning.
5. Wear eye protection and stout shoes at all times while operating the mower.
6. Operate the mower only in daylight or in good artificial light.
7. Switch on the mower carefully according to instructions and with feet well away from the blade(s).

8. Take care against injury to feet and hands from the mower blades.
9. Always ensure that the ventilation openings are kept clear of debris.
10. Mow across the face of slopes, never up and down. Exercise extreme caution when changing direction on slopes. Do not mow excessively steep slopes.
11. Use extreme caution when reversing or pulling the mower towards you.
12. Stop the blade(s) if the mower has to be tilted for transportation when crossing surfaces other than grass, and when transporting the mower to and from the area to be used.
13. Do not tilt the mower when switching on the motor, except if the mower has to be tilted for starting. In this case, do not tilt it more than absolutely necessary and lift only the part, which is away from the operator. Always ensure that both hands are in the operating position before returning the mower to the ground.
14. Do not put hands or feet near or under rotating parts. Keep clear of the discharge opening at all times.
15. Do not transport the mower while the mower is turned on.
16. Avoid operating the mower in wet grass.
17. Never operate the mower in the rain.
18. Always keep a firm hold on the handle.
19. Don't grasp the exposed cutting blades or cutting edges when picking up or holding the mower.
20. Keep hands and feet away from rotating blades. Caution - Blades coast after the mower is switched off.
21. Stop operation immediately if you notice anything unusual. Switch off the mower and remove the lock key. Then inspect the mower.
22. Never attempt to make cutting height adjustments while mower is running if the mower has cutting height adjustment feature.
23. Release switch lever and wait for blade rotation to stop before crossing driveways, walks, roads, and any gravel-covered areas. Also remove the lock key if you leave the mower, reach to pick up or remove something out of your way, or for any other reason that may distract you from what you are doing.
24. If the mower strikes a foreign object, follow these steps:
 - Stop the mower, release the switch lever and wait until the blade comes to a complete stop.
 - Remove the lock key and the battery cartridge.
 - Thoroughly inspect the mower for any damage.
 - Replace the blade if it is damaged in any way. Repair any damage before restarting and continuing to operate the mower.
25. Do not start the mower when standing in front of the discharge opening.
26. If the mower starts to vibrate abnormally (check immediately)

- inspect for damage,
 - replace or repair any damaged parts,
 - check for and tighten any loose parts.
27. **Never direct discharged material toward anyone. Avoid discharging material against a wall or obstruction.** Material may ricochet back toward the operator. Stop the blade when crossing gravel surfaces.
 28. **Do not pull the mower backwards unless absolutely necessary.** When you are compelled to back the mower from a fence or other similar obstruction, look down and behind before and while moving backwards.
 29. **Shut the motor off and wait until the blade comes to a complete stop before removing the grass catcher.** Beware that the blades coast after turn off.

Maintenance and storage

1. **Replace worn or damaged parts for safety. Use only genuine replacement parts and accessories.**
2. **Inspect and maintain the mower regularly.**
3. **When not in use, store the mower out of the reach of children.**
4. **Keep all nuts, bolts, and screws tight to be sure the equipment is in safe working condition.**
5. **Check the grass basket frequently for wear or deterioration. For storage, always make sure the grass basket is empty. Replace a worn grass basket with a new factory replacement for safety.**
6. **Use only the manufacturer genuine blades specified in this manual.**
7. **Be careful during adjustment of the mower to prevent entrapment of the fingers between moving blades and fixed parts of the mower.**
8. **Do not wash with a hose; avoid getting water in motor and electrical connections.**
9. **Check the blade mounting bolt at frequent intervals for proper tightness.**
10. **Always allow the mower to cool down before storing.**
11. **When servicing the blades be aware that, even though the power source is switched off, the blades can still be moved.**
12. **Never remove or tamper with safety devices. Check their proper operation regularly. Never do anything to interfere with the intended function of a safety device or to reduce the protection provided by a safety device.**

Battery tool use and care

1. **Recharge only with the charger specified by the manufacturer.** A charger that is suitable for one type of battery pack may create a risk of fire when used with another battery pack.
2. **Use power tools only with specifically designed battery packs.** Use of any other battery packs may create a risk of injury and fire.
3. **When battery pack is not in use, keep it away from other metal objects, like paper clips, coins, keys, nails, screws or other small metal objects, that can make a connection from one terminal to another.** Shorting the battery terminals together may cause burns or a fire.

4. **Under abusive conditions, liquid may be ejected from the battery; avoid contact. If contact accidentally occurs, flush with water. If liquid contacts eyes, additionally seek medical help.** Liquid ejected from the battery may cause irritation or burns.
5. **Do not use a battery pack or tool that is damaged or modified.** Damaged or modified batteries may exhibit unpredictable behaviour resulting in fire, explosion or risk of injury.
6. **Do not expose a battery pack or tool to fire or excessive temperature.** Exposure to fire or temperature above 130 °C may cause explosion.
7. **Follow all charging instructions and do not charge the battery pack or tool outside the temperature range specified in the instructions.** Charging improperly or at temperatures outside the specified range may damage the battery and increase the risk of fire.

Electrical and battery safety

1. **Do not dispose of the battery(ies) in a fire.** The cell may explode. Check with local codes for possible special disposal instructions.
2. **Do not open or mutilate the battery(ies).** Released electrolyte is corrosive and may cause damage to the eyes or skin. It may be toxic if swallowed.
3. **Do not charge battery in rain, or in wet locations.**
4. **Do not charge the battery outdoors.**
5. **Do not handle charger, including charger plug, and charger terminals with wet hands.**

Service

1. **Have your power tool serviced by a qualified repair person using only identical replacement parts.** This will ensure that the safety of the power tool is maintained.
2. **Never service damaged battery packs.** Service of battery packs should only be performed by the manufacturer or authorized service providers.

SAVE THESE INSTRUCTIONS.

⚠WARNING: DO NOT let comfort or familiarity with product (gained from repeated use) replace strict adherence to safety rules for the subject product.

MISUSE or failure to follow the safety rules stated in this instruction manual may cause serious personal injury.

Important safety instructions for battery cartridge

1. **Before using battery cartridge, read all instructions and cautionary markings on (1) battery charger, (2) battery, and (3) product using battery.**
2. **Do not disassemble or tamper the battery cartridge.** It may result in a fire, excessive heat, or explosion.
3. **If operating time has become excessively shorter, stop operating immediately. It may result in a risk of overheating, possible burns and even an explosion.**

4. **If electrolyte gets into your eyes, rinse them out with clear water and seek medical attention right away. It may result in loss of your eyesight.**
5. **Do not short the battery cartridge:**
 - (1) **Do not touch the terminals with any conductive material.**
 - (2) **Avoid storing battery cartridge in a container with other metal objects such as nails, coins, etc.**
 - (3) **Do not expose battery cartridge to water or rain.**

A battery short can cause a large current flow, overheating, possible burns and even a breakdown.
6. **Do not store and use the tool and battery cartridge in locations where the temperature may reach or exceed 50 °C (122 °F).**
7. **Do not incinerate the battery cartridge even if it is severely damaged or is completely worn out. The battery cartridge can explode in a fire.**
8. **Do not nail, cut, crush, throw, drop the battery cartridge, or hit against a hard object to the battery cartridge.** Such conduct may result in a fire, excessive heat, or explosion.
9. **Do not use a damaged battery.**
10. **The contained lithium-ion batteries are subject to the Dangerous Goods Legislation requirements.** For commercial transports e.g. by third parties, forwarding agents, special requirement on packaging and labeling must be observed. For preparation of the item being shipped, consulting an expert for hazardous material is required. Please also observe possibly more detailed national regulations. Tape or mask off open contacts and pack up the battery in such a manner that it cannot move around in the packaging.
11. **When disposing the battery cartridge, remove it from the tool and dispose of it in a safe place. Follow your local regulations relating to disposal of battery.**
12. **Use the batteries only with the products specified by Makita.** Installing the batteries to non-compliant products may result in a fire, excessive heat, explosion, or leak of electrolyte.
13. **If the tool is not used for a long period of time, the battery must be removed from the tool.**
14. **During and after use, the battery cartridge may take on heat which can cause burns or low temperature burns. Pay attention to the handling of hot battery cartridges.**
15. **Do not touch the terminal of the tool immediately after use as it may get hot enough to cause burns.**
16. **Do not allow chips, dust, or soil stuck into the terminals, holes, and grooves of the battery cartridge.** It may result in poor performance or breakdown of the tool or battery cartridge.
17. **Unless the tool supports the use near high-voltage electrical power lines, do not use the battery cartridge near a high-voltage electrical power lines.** It may result in a malfunction or breakdown of the tool or battery cartridge.

18. **Keep the battery away from children.**

SAVE THESE INSTRUCTIONS.

⚠ CAUTION: Only use genuine Makita batteries. Use of non-genuine Makita batteries, or batteries that have been altered, may result in the battery bursting causing fires, personal injury and damage. It will also void the Makita warranty for the Makita tool and charger.

Tips for maintaining maximum battery life

1. **Charge the battery cartridge before completely discharged. Always stop tool operation and charge the battery cartridge when you notice less tool power.**
2. **Never recharge a fully charged battery cartridge. Overcharging shortens the battery service life.**
3. **Charge the battery cartridge with room temperature at 10 °C - 40 °C (50 °F - 104 °F). Let a hot battery cartridge cool down before charging it.**
4. **When not using the battery cartridge, remove it from the tool or the charger.**
5. **Charge the battery cartridge if you do not use it for a long period (more than six months).**

ASSEMBLY

⚠ WARNING: Always be sure that the lock key and battery cartridge are removed before carrying out any work on the mower. Failure to remove the lock key and the battery cartridge may result in serious personal injury from accidental start-up.

⚠ WARNING: Never start the mower unless it is completely assembled. Operation of the machine in a partially assembled state may result in serious personal injury from accidental start-up.

Installing the battery cover

⚠ WARNING: Do not insert the lock key and battery cartridge before installing the battery cover. Failure to do so may cause a serious injury.

Install the battery cover completely before the operation. The battery cover protects the mower and battery cartridge from mud, dirt, and water.

1. Place the battery cover with the protrusions on the mower aligned with the holes on the battery cover.

► **Fig.1:** 1. Protrusion 2. Hole 3. Battery cover

2. Place your hands in the middle of the battery cover and push it.

► **Fig.2**

3. Before the first operation, check that the pivot point of the battery cover is attached properly. If the battery cover is installed correctly, it will not open until the battery cover locking lever is pulled.

► **Fig.3:** 1. Pivot point 2. Battery cover locking lever

Installing the handle

NOTICE: When installing handles, position the cords so that they are not caught by anything between the handles. If the cord is damaged, the mower switch may not work.

1. Slide the both ends of lower handle into the grooves of the mower then fully tighten the clamping screws.
▶ **Fig.4:** 1. Clamping screw 2. Lower handle
2. Align the screw holes of upper handle and lower handle. Secure them with the clamping screws and nuts.
▶ **Fig.5:** 1. Clamping nut 2. Clamping screw

NOTE: Hold the upper handle firmly so that it does not drop off your hand.

3. Attach the holders to the handle. Position the power supply cord as shown in the figure.
▶ **Fig.6:** 1. Holder

Removing the mulching plug

Optional accessory

1. Open the rear cover.
▶ **Fig.7:** 1. Rear cover
2. Hold the mulching plug by the handle, and then pull it out from the mower body as shown in the figure.
▶ **Fig.8:** 1. Mulching plug 2. Handle

Installing the grass basket

1. Open the rear cover.
▶ **Fig.9:** 1. Rear cover
2. Hook the grass basket on the rod of the mower body as shown in the figure.
▶ **Fig.10:** 1. Hook 2. Rod 3. Grass basket

Attaching the mulching plug

Optional accessory

1. Open the rear cover, and then remove the grass basket.
▶ **Fig.11:** 1. Rear cover 2. Grass basket
2. Hold the mulching plug by the handle, and then attach it to the mower body as shown in the figure.
▶ **Fig.12:** 1. Mulching plug 2. Handle

FUNCTIONAL DESCRIPTION

Installing or removing battery cartridge

CAUTION: Always switch off the machine before installing or removing of the battery cartridge.

CAUTION: Make sure that you lock the battery cover before use. Otherwise, mud, dirt, or water may cause damage to the product or the battery cartridge.

CAUTION: Always install the battery cartridge fully until the red indicator cannot be seen. If not, it may accidentally fall out of the machine, causing injury to you or someone around you.

CAUTION: Do not install the battery cartridge forcibly. If the cartridge does not slide in easily, it is not being inserted correctly.

NOTE: The machine does not work with only one battery cartridge.

To install the battery cartridge;

1. Slide the battery cover locking lever and open the battery cover.
▶ **Fig.13:** 1. Battery cover 2. Battery cover locking lever
2. Align the tongue on the battery cartridge with the slot on the mower then slide the cartridge until it locks in place with a little click.
▶ **Fig.14:** 1. Battery cartridge
3. Insert the lock key in the place shown in the figure as far as it will go.
▶ **Fig.15:** 1. Lock key

4. Close the battery cover and push it until it is latched with the locking lever.

To remove the battery cartridge from the mower;

1. Slide the battery cover locking lever and open the battery cover.
2. Pull out the battery cartridge from the mower while sliding the button on the front of the cartridge.
3. Pull out the lock key.
4. Close the battery cover.

Machine / battery protection system

The machine is equipped with a machine/battery protection system. This system automatically cuts off power to the motor to extend tool and battery life. The machine will automatically stop during operation if the machine or battery is placed under one of the following conditions.

Overload protection

When the machine is operated in a manner that causes it to draw an abnormally high current, the machine automatically stops without any indication. In this situation, turn the machine off and stop the application that caused the machine to become overloaded. Then turn the machine on to restart.

Overheat protection

When the machine is overheated, the machine stops automatically. Let the machine cool down before turning the machine on again.

Overdischarge protection

When the battery capacity becomes low, the machine stops automatically. If the product does not operate even when the switches are operated, remove the batteries from the machine and charge the batteries.

Indicating the remaining battery capacity

► **Fig.16:** 1. Battery indicator

When the remaining battery capacity gets low, the battery indicator blinks on the applicable battery side. By further use, the machine stops and the battery indicator lights up about 10 seconds. In this situation, charge the battery cartridge.

Indicating the remaining battery capacity

Only for battery cartridges with the indicator

► **Fig.17:** 1. Indicator lamps 2. Check button

Press the check button on the battery cartridge to indicate the remaining battery capacity. The indicator lamps light up for a few seconds.

Indicator lamps			Remaining capacity
Lighted	Off	Blinking	
			75% to 100%
			50% to 75%
			25% to 50%
			0% to 25%
			Charge the battery.
			The battery may have malfunctioned.

NOTE: Depending on the conditions of use and the ambient temperature, the indication may differ slightly from the actual capacity.

Switch action

WARNING: Before installing the battery cartridge, always check to see that the switch lever actuates properly and returns to the original position when released. Operating a machine with a switch that does not actuate properly can lead to loss of control and serious personal injury.

NOTE: The mower does not start without pressing the switch button even the switch lever is pulled.

NOTE: Mower may not start due to the overload when you try to mow long or dense grass at a time. Increase the mowing height in this case.

This mower is equipped with the interlock switch and handle switch. If you notice anything unusual with either of these switches, stop operation immediately and have them checked by your nearest Makita Authorized Service Center.

1. Install the battery cartridges. Insert the lock key into the interlock switch and then close the battery cover.

► **Fig.18:** 1. Battery cartridge 2. Lock key

2. Press the switch button and hold it.

3. Grab the upper handle and pull the switch lever.

► **Fig.19:** 1. Switch button 2. Switch lever

4. Release the switch button as soon as the motor starts running. The mower will continue to run until you release the switch lever.

5. Release the switch lever to stop the motor.

Adjusting the mowing height

WARNING: Never put your hand or leg under the mower body when adjusting the mowing height.

WARNING: Always make sure that the lever fits in the groove properly before operation.

The mowing height can be adjusted in the range of between 20 mm and 75 mm.

1. Remove the lock key.

2. Pull the mowing height adjusting lever to the outward of the mower body and move it to your desired mowing height.

► **Fig.20:** 1. Mowing height adjusting lever

NOTE: The mowing height figures should be used just as a guideline. Depending on the conditions of the lawn or the ground, the actual lawn height may become slightly different from the set height.

NOTE: Try a test mowing of grass in a less conspicuous place to get your desired height.

Grass level indicator

► **Fig.21:** 1. Grass level indicator

Grass level indicator shows the volume of mowed grass.

- When the grass basket is not full, the indicator floats during mowing.
- When the grass basket is full, the indicator does not float during mowing. In this case, stop mowing immediately and empty the basket. After emptying the basket, clean it so that its meshwork vents the air.

NOTE: This indicator is a rough guide. Depending on the conditions of inside of the basket, this indicator may not work properly.

Using mulching plug

Optional accessory

The mulching plug allows you to return the cut grass to the ground without gathering the cut grass in the grass basket. When you operate the machine with the mulching plug, be sure to remove the grass basket.

NOTICE: When using the machine with the mulching plug, make sure that the total length of grass after cutting is 30 mm or more, and the cut length is 15 mm or less.

► Fig.22: (1) 30 mm or more (2) 15 mm or less

OPERATION

Mowing

⚠ WARNING: Before mowing, clear away sticks and stones from mowing area. Furthermore, clear away any weeds from mowing area in advance.

⚠ WARNING: Always wear the safety goggles or safety glasses with side shields when operating the mower.

⚠ CAUTION: If the cut grass or foreign object blocks up inside of the mower body, be sure to remove the lock key and battery cartridge and wear gloves before removing the grass or foreign object.

NOTICE: Use this machine for mowing lawn only. Do not mow weeds with this machine.

► Fig.23

Firmly hold the handle with both hands when mowing. The mowing speed guideline is approximately 1 meter per 4 seconds.

► Fig.24

The outside edges of the front wheels are guidelines to mowing width. Using the outside edges of the front wheels as guidelines, mow in strips. Overlap by one half to one third the previous strip to mow the lawn evenly.

► Fig.25: 1. Mowing width 2. Overlapping area
3. Outside edge

Change the mowing direction each time to prevent the grass grain pattern from forming in just one direction.

► Fig.26

Periodically check the grass basket for mowed grass. Empty the grass before it becomes full. Before every periodical check, be sure to stop the mower then remove the lock key and the battery cartridge.

NOTICE: Using the mower with the grass basket full prevents smooth blade rotation and places an extra load on the motor, which may cause breakdown.

Mowing a long-grass lawn

Do not try to cut long grass all in one go. Instead, mow the lawn in some steps. Leave a day or two between mows until the lawn becomes evenly short.

NOTE: Mowing long grass to a short length all in one go may cause the grass to die. The cut grass may also block up inside of the mower body.

Emptying the grass basket

⚠ WARNING: To reduce a risk of accident, regularly check the grass basket for any damage or weakened strength. Replace the grass basket if necessary.

1. Release the switch lever.
2. Remove the lock key.
3. Open the rear cover and take out the grass basket by holding the handle.
► Fig.27: 1. Rear cover 2. Handle
4. Empty the grass basket.

MAINTENANCE

⚠ WARNING: Always be sure that the lock key and battery cartridge are removed from the mower before storing or carrying the mower or attempting to perform inspection or maintenance.

⚠ WARNING: Always remove the lock key when the mower is not in use. Store the lock key in a safe place out of reach of children.

⚠ WARNING: Wear gloves when performing inspection or maintenance.

⚠ WARNING: Always wear the safety goggles or safety glasses with side shields when performing inspection or maintenance.

NOTICE: Never use gasoline, benzine, thinner, alcohol or the like. Discoloration, deformation or cracks may result.

To maintain product SAFETY and RELIABILITY, repairs, any other maintenance or adjustment should be performed by Makita Authorized or Factory Service Centers, always using Makita replacement parts.

Maintenance

1. Remove the lock key. Store it in a safe place out of the reach of children.
2. Clean the mower using only a wet cloth. Do not spray or pour water on the mower when cleaning.
3. Put the mower on its side and clean grass clippings accumulated on the underside of mower deck.
4. Check all nuts, bolts, knobs, screws, fasteners etc. for tightness.
5. Inspect moving parts for damage, breakage, and wear. Damaged or missing parts should be repaired or replaced.

Storage

⚠ WARNING: When carrying or storing the mower, do not hold the folded handles but the front grip of the mower. Holding the folded handles may cause a serious injury or damage to the mower.

Before storing the mower, remove the battery cartridge and lock key.

Store mower indoors in a cool, dry and locked place. Don't store the mower and charger in locations where the temperature may reach or exceed 40 °C.

► **Fig.28:** 1. Front grip 2. Rear grip

1. Loosen the clamping screws and expand the lower handle to both sides. Move down the handle forward. At this time, keep a firm grip on the lower handle so that the handle does not fall down to the far side from the mower body.

► **Fig.29:** 1. Clamping screw 2. Lower handle

2. Loosen the clamping nuts and pivot the upper handle back while expanding the both sides.

► **Fig.30:** 1. Clamping nut 2. Upper handle

3. Store the grass basket between the handle and the mower body.

► **Fig.31:** 1. Grass basket

NOTE: When putting the mower in the upright position, do not hold the handle but use the front grip of the mower.

Removing or installing the mower blade

⚠ WARNING: Always remove the lock key and battery cartridge when removing or installing the blade. Failure to remove the lock key and battery cartridge may cause a serious injury.

⚠ WARNING: The blade coasts for a few seconds after releasing the switch. Do not start any operation until the blade comes to a complete stop.

⚠ WARNING: Always wear gloves when handling the blade.

Removing the mower blade

For DLM382

1. Put the mower on its side so that the mowing height adjusting lever comes to the upper side.

2. To lock the blade rotation, insert a screwdriver or a similar tool into a hole on the mower body.

3. Turn the bolt counterclockwise with the wrench.

► **Fig.32:** 1. Mower blade 2. Screwdriver 3. Wrench

4. Remove the bolt and blade in order.

► **Fig.33:** 1. Blade support 2. Mower blade 3. Bolt

For DLM432

1. Put the mower on its side so that the mowing height adjusting lever comes to the upper side.

2. To lock the blade rotation, insert a screwdriver or a similar tool into a hole on the mower body.

3. Turn the bolt counterclockwise with the wrench.

► **Fig.34:** 1. Mower blade 2. Screwdriver 3. Wrench

4. Remove the bolt, outer flange, mower blade, and inner flange in order.

► **Fig.35:** 1. Inner flange 2. Mower blade 3. Outer flange 4. Bolt

Installing the mower blade

To install the mower blade, take the removal procedure in reverse.

⚠ WARNING: Install the mower blade carefully. It has a top/bottom facing. Place the blade so that the rotational direction arrow faces outward.

⚠ WARNING: Tighten the bolt clockwise firmly to secure the blade.

⚠ WARNING: Make sure that the mower blade and all the fixing parts are installed correctly and tightened securely.

⚠ WARNING: When you replace the blades, always follow the instructions provided in this manual.

TROUBLESHOOTING

Before asking for repairs, conduct your own inspection first. If you find a problem that is not explained in the manual, do not attempt to dismantle the tool. Instead, ask Makita Authorized Service Centers, always using Makita replacement parts for repairs.

State of abnormality	Probable cause (malfunction)	Remedy
Mower does not start.	Two battery cartridges are not installed.	Install the charged battery cartridges.
	Battery problem (under voltage)	Recharge the battery cartridge. If recharging is not effective, replace battery cartridge.
	The lock key is not inserted.	Insert the lock key.
Motor stops running after a little use.	Battery's charge level is low.	Recharge the battery cartridge. If recharging is not effective, replace battery cartridge.
	Cutting height is too low.	Increase the cutting height.
Motor does not reach maximum RPM.	Battery cartridge is installed improperly.	Install the battery cartridge as described in this manual.
	Battery power is dropping.	Recharge the battery cartridge. If recharging is not effective, replace battery cartridge.
	The drive system does not work correctly.	Ask your local authorized service center for repair.
Mower blade does not rotate: ⇒ stop the mower immediately!	Foreign object such as a branch is jammed near the blade.	Remove the foreign object.
	The drive system does not work correctly.	Ask your local authorized service center for repair.
Abnormal vibration: ⇒ stop the mower immediately!	Blade is imbalanced, excessively or unevenly worn.	Replace the blade.

OPTIONAL ACCESSORIES

⚠ CAUTION: These accessories or attachments are recommended for use with your Makita tool specified in this manual. The use of any other accessories or attachments might present a risk of injury to persons. Only use accessory or attachment for its stated purpose.

If you need any assistance for more details regarding these accessories, ask your local Makita Service Center.

- Mower blade
- Mulching plug
- Makita genuine battery and charger

NOTE: Some items in the list may be included in the tool package as standard accessories. They may differ from country to country.

SPÉCIFICATIONS

Modèle :		DLM382	DLM432
Largeur de tonte (diamètre de la lame)		380 mm	430 mm
Vitesse à vide		3 700 min ⁻¹	3 600 min ⁻¹
Numéro de référence de la lame de tondeuse de remplacement		191D41-2	191D43-8
Dimensions (L x l x H)	pendant l'utilisation	L : 1 380 mm à 1 410 mm l : 450 mm H : 985 mm à 1 005 mm	L : 1 435 mm à 1 490 mm l : 460 mm H : 1 005 mm à 1 045 mm
	pendant le rangement (sans le bac à herbe)	860 mm x 450 mm x 475 mm	865 mm x 460 mm x 475 mm
Tension nominale		36 VCC	
Poids net		15,0 - 16,5 kg	15,4 - 17,1 kg

- Étant donné l'évolution constante de notre programme de recherche et de développement, les spécifications contenues dans ce manuel sont sujettes à modification sans préavis.
- Les spécifications peuvent varier suivant les pays.
- Le poids peut être différent selon les accessoires, notamment la batterie. Les associations la plus légère et la plus lourde, conformément à la procédure EPTA 01/2014, sont indiquées dans le tableau.

Batterie et chargeur applicables

Batterie	BL1815N / BL1820 / BL1820B / BL1830 / BL1830B / BL1840 / BL1840B / BL1850 / BL1850B / BL1860B
Chargeur	DC18RC / DC18RD / DC18RE / DC18SD / DC18SE / DC18SF / DC18SH






- Certains chargeurs et batteries répertoriés ci-dessus peuvent ne pas être disponibles selon la région où vous résidez.

⚠ AVERTISSEMENT : N'utilisez que les batteries et les chargeurs répertoriés ci-dessus. L'utilisation d'autres batteries et chargeurs peut provoquer des blessures et/ou un incendie.

⚠ AVERTISSEMENT : N'utilisez pas de source d'alimentation câblée comme un adaptateur de batterie ou un support d'alimentation portable avec cette machine. Le câble de ce type de source d'alimentation pourrait gêner le fonctionnement et provoquer des blessures corporelles.

Symboles

Vous trouverez ci-dessous les symboles susceptibles d'être utilisés pour l'appareil. Veuillez à comprendre leur signification avant toute utilisation.

	Veuillez être prudent et rester attentif.
	Lire le mode d'emploi.
	Danger ; prendre garde aux projections d'objets.
	La distance entre l'outil et les personnes présentes doit être d'au moins 15 m.
	Ne mettez jamais les mains ou les pieds près de la lame sous la tondeuse. Les lames continuent de tourner une fois le moteur coupé.



Retirez la clé de sécurité avant d'inspecter, de régler, de nettoyer, de réparer, de laisser sans surveillance ou de ranger la tondeuse.



Pour les pays de l'Union européenne uniquement
Ne jetez pas les appareils électriques ou les batteries avec vos ordures ménagères ! Conformément aux directives européennes relatives aux déchets d'équipements électriques et électroniques et aux piles et accumulateurs ainsi qu'aux déchets de piles et d'accumulateurs et leur mise en œuvre conformément aux lois nationales, les équipements électriques, les piles et les batteries en fin de vie doivent faire l'objet d'une collecte sélective et être confiés à une usine de recyclage respectueuse de l'environnement.

Utilisations

La machine est conçue pour tondre la pelouse.

Bruit

Niveau de bruit pondéré A typique, déterminé selon EN60335-2-77 :

Modèle DLM382

Niveau de pression sonore (L_{pA}) : 81 dB (A)
Niveau de puissance sonore (L_{WA}) : 91 dB (A)
Incertitude (K) : 3 dB (A)

Modèle DLM432

Niveau de pression sonore (L_{pA}) : 81 dB (A)
Niveau de puissance sonore (L_{WA}) : 92 dB (A)
Incertitude (K) : 3 dB (A)

NOTE : La ou les valeurs d'émission de bruit déclarées ont été mesurées conformément à la méthode de test standard et peuvent être utilisées pour comparer les outils entre eux.

NOTE : La ou les valeurs d'émission de bruit déclarées peuvent aussi être utilisées pour l'évaluation préliminaire de l'exposition.

⚠ AVERTISSEMENT : Portez un serre-tête antibruit.

⚠ AVERTISSEMENT : L'émission de bruit lors de l'usage réel de l'outil électrique peut être différente de la ou des valeurs déclarées, suivant la façon dont l'outil est utilisé, particulièrement selon le type de pièce usinée.

⚠ AVERTISSEMENT : Les mesures de sécurité à prendre pour protéger l'utilisateur doivent être basées sur une estimation de l'exposition dans des conditions réelles d'utilisation (en tenant compte de toutes les composantes du cycle d'utilisation, comme par exemple le moment de sa mise hors tension, lorsqu'il tourne à vide et le moment de son déclenchement).

Vibrations

Valeur totale de vibrations (somme de vecteur triaxial) déterminée selon EN60335-2-77 :

Modèle DLM382

Émission de vibrations (a_h) : 2,5 m/s² ou moins
Incertitude (K) : 2,0 m/s²

Modèle DLM432

Émission de vibrations (a_h) : 2,5 m/s² ou moins
Incertitude (K) : 1,5 m/s²

NOTE : La ou les valeurs de vibration totales déclarées ont été mesurées conformément à la méthode de test standard et peuvent être utilisées pour comparer les outils entre eux.

NOTE : La ou les valeurs de vibration totales déclarées peuvent aussi être utilisées pour l'évaluation préliminaire de l'exposition.

⚠ AVERTISSEMENT : L'émission de vibrations lors de l'usage réel de l'outil électrique peut être différente de la ou des valeurs déclarées, suivant la façon dont l'outil est utilisé, particulièrement selon le type de pièce usinée.

⚠ AVERTISSEMENT : Les mesures de sécurité à prendre pour protéger l'utilisateur doivent être basées sur une estimation de l'exposition dans des conditions réelles d'utilisation (en tenant compte de toutes les composantes du cycle d'utilisation, comme par exemple le moment de sa mise hors tension, lorsqu'il tourne à vide et le moment de son déclenchement).

Déclaration de conformité CE

Pour les pays européens uniquement

La déclaration de conformité CE est fournie en Annexe A à ce mode d'emploi.

CONSIGNES DE SÉCURITÉ

CONSIGNES DE SÉCURITÉ IMPORTANTES

⚠ AVERTISSEMENT : Lisez toutes les consignes de sécurité et toutes les instructions. Il y a risque d'électrocution, d'incendie et/ou de graves blessures si les mises en garde et les instructions ne sont pas respectées.

Conservez toutes les mises en garde et instructions pour référence ultérieure.

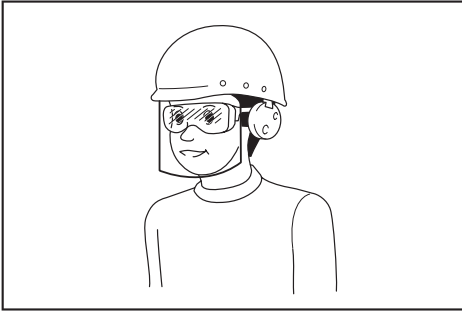
Formation

1. Lisez attentivement les instructions. Familiarisez-vous avec les commandes et la bonne utilisation de la tondeuse.
2. Ne laissez jamais les enfants ou les personnes qui ne sont pas familiarisées avec ces instructions utiliser la tondeuse. Les réglementations locales peuvent spécifier un âge minimum pour l'utilisation.
3. N'utilisez jamais la tondeuse alors que des personnes — et tout particulièrement des enfants — ou des animaux domestiques se trouvent à proximité.
4. Gardez à l'esprit que l'opérateur ou l'utilisateur est responsable des accidents ou risques encourus par les personnes ou leur propriété.
5. Les enfants doivent être sous la surveillance d'un adulte afin de s'assurer qu'ils ne jouent pas avec la tondeuse.
6. Condition physique - N'utilisez pas la tondeuse après avoir consommé une drogue, de l'alcool ou un médicament.

Préparatifs

1. Pendant l'utilisation de la tondeuse, portez toujours des chaussures résistantes et un pantalon long. N'utilisez pas la tondeuse pieds nus ou avec des sandales qui laissent les pieds partiellement découverts. Évitez de porter des vêtements et bijoux amples ou dotés de cordons ou attaches qui pendent. Les pièces mobiles risqueraient de les happer.
2. Avant utilisation, inspectez toujours visuellement la tondeuse pour vérifier que les carters ou écrans de protection ne sont pas endommagés, manquants ou égarés.
3. Assurez-vous qu'il n'y a personne à proximité avant de commencer à tondre. Arrêtez la tondeuse si quelqu'un s'approche.
4. N'insérez la clé de sécurité dans la tondeuse qu'une fois celle-ci prête pour l'utilisation.

5. Pour protéger vos yeux des blessures lorsque vous utilisez un outil électrique, portez toujours des lunettes de protection, lesquelles doivent être conformes à ANSI Z87.1 aux États-Unis, EN 166 en Europe ou AS/NZS 1336 en Australie/ Nouvelle-Zélande. En Australie/Nouvelle-Zélande, la loi exige également le port d'un écran facial pour se protéger le visage.



L'employeur est responsable d'imposer le port d'équipements de sécurité appropriés par les utilisateurs de l'outil et par les autres personnes se trouvant à proximité de la zone de travail.

6. Vérifiez soigneusement l'absence de fissures ou de dommages sur les lames ou les boulons des lames avant l'utilisation. Remplacez immédiatement les lames ou les boulons des lames fissurés ou abîmés.
 7. Pour éviter de vous blesser ou d'abîmer la tondeuse, enlevez les corps étrangers tels que pierres, câbles, bouteilles, os et gros bouts de bois dans la zone de travail avant de commencer à tondre.
 8. Les objets heurtés par la lame de tondeuse peuvent provoquer de graves blessures. Prenez toujours à inspecter soigneusement le gazon et à retirer tous les objets avant de tondre.
 9. Prenez garde aux trous, ornières, bosses, pierres ou autres objets cachés. Un terrain irrégulier est propice aux glissades et aux chutes. L'herbe haute peut masquer les obstacles.
- Fonctionnement**
1. Ne vous penchez pas trop loin. Maintenez toujours votre équilibre. Assurez-vous toujours d'être en position stable dans les pentes. Ne courez jamais ; marchez.
 2. Arrêtez la tondeuse, retirez la clé de sécurité et assurez-vous que toutes les pièces mobiles sont parfaitement arrêtées :
 - chaque fois que vous laissez la tondeuse sans surveillance,
 - avant de retirer un objet bloqué ou de déboucher la goulotte,
 - avant d'effectuer la vérification, le nettoyage ou l'entretien de la tondeuse,
 - après avoir heurté un corps étranger. Avant de redémarrer et d'utiliser la tondeuse, vérifiez l'absence de dommages et effectuez les réparations nécessaires,
 - chaque fois que la tondeuse se met à vibrer de manière inhabituelle.
 3. N'utilisez jamais la tondeuse si ses carters ou écrans de protection ne fonctionnent pas, ou si ses dispositifs de sécurité (tels que les déflecteurs et/ou le bac à herbe) ne sont pas posés.
 4. Évitez d'utiliser la tondeuse par mauvais temps, particulièrement en cas d'orage.
 5. Portez toujours une protection oculaire et des chaussures solides pendant que vous utilisez la tondeuse.
 6. N'utilisez la tondeuse qu'à la lumière du jour ou sous un bon éclairage artificiel.
 7. Démarrez la tondeuse prudemment, en suivant les instructions et en gardant les pieds bien à l'écart de la ou des lames.
 8. Prenez garde de ne pas vous blesser les pieds et les mains avec les lames de la tondeuse.
 9. Assurez-vous toujours que les bouches d'aération ne sont pas obstruées par des débris.
 10. Tondez toujours les pentes latéralement, jamais de haut en bas ou vice-versa. Soyez très prudent lorsque vous changez de direction dans les pentes. Ne tondez pas dans les pentes trop abruptes.
 11. Soyez très prudent lorsque vous faites reculer la tondeuse ou la tirez vers vous.
 12. Immobilisez la ou les lames si vous devez incliner la tondeuse pour la transporter en traversant une surface autre que du gazon, et lorsque vous transportez la tondeuse vers ou hors de la zone d'utilisation.
 13. N'inclinez pas la tondeuse en allumant le moteur, sauf si la tondeuse doit être inclinée pour le démarrage. Le cas échéant, ne l'inclinez pas plus que nécessaire et ne soulevez que la partie opposée à vous. Avant de ramener la tondeuse au sol, veillez à ce que vos deux mains soient toujours en position d'utilisation.
 14. Ne mettez pas les mains ou les pieds près des pièces en rotation, ou sous celles-ci. Restez en tout temps à l'écart de l'ouverture de décharge.
 15. Ne transportez pas la tondeuse pendant qu'elle tourne.
 16. Évitez d'utiliser la tondeuse sur de l'herbe mouillée.
 17. N'utilisez jamais la tondeuse sous la pluie.
 18. Tenez toujours la poignée fermement.
 19. Ne saisissez pas les lames de coupe exposées ou les bords tranchants pour soulever ou tenir la tondeuse.
 20. Gardez mains et pieds à l'écart des lames en rotation. Attention - Les lames continuent de tourner une fois la tondeuse éteinte.
 21. Cessez immédiatement l'utilisation si vous remarquez quoi que ce soit d'inhabituel. Coupez le contact de la tondeuse et retirez la clé de sécurité. Inspectez ensuite la tondeuse.
 22. N'essayez jamais de régler la hauteur de coupe pendant que la tondeuse tourne si celle-ci est pourvue d'une fonction de réglage de la hauteur de coupe.

23. Libérez le levier d'interrupteur et attendez que la lame ait cessé de tourner avant de traverser une allée, un trottoir, une route ou une zone recouverte de gravier. Pensez également à retirer la clé de sécurité si vous laissez la tondeuse sans surveillance, si vous vous penchez pour ramasser ou enlever un objet qui fait obstacle, ou pour toute autre raison pouvant vous distraire de votre travail.
24. Si la tondeuse heurte un corps étranger, procédez comme suit :
 - Arrêtez la tondeuse, libérez le levier d'interrupteur et attendez que la lame ait complètement cessé de tourner.
 - Retirez la clé de sécurité et la batterie.
 - Inspectez minutieusement la tondeuse pour vous assurer qu'elle n'a subi aucun dommage.
 - Si la lame est abîmée, remplacez-la. Réparez tout dégât avant de redémarrer et de continuer à utiliser la tondeuse.
25. Ne vous tenez pas devant l'ouverture de décharge pour démarrer la tondeuse.
26. Si la tondeuse se met à vibrer anormalement (vérifiez immédiatement)
 - inspectez les dommages,
 - remplacez ou réparez les pièces endommagées,
 - vérifiez et resserrez les pièces mal serrées.
27. Ne dirigez jamais le matériau déversé en direction d'une personne. Évitez de déverser le matériau contre un mur ou une obstruction. Le matériau peut ricocher en arrière en direction de l'utilisateur. Arrêtez la lame lorsque vous traversez des surfaces couvertes de gravier.
28. Ne tirez pas la tondeuse en arrière sauf en cas de nécessité absolue. Lorsque vous êtes obligé de retirer la tondeuse d'une clôture ou d'autres obstacles semblables, regardez vers le bas et l'arrière avant et pendant que vous reculez.
29. Coupez le moteur et patientez arrêtée jusqu'à ce que la lame soit complètement arrêtée avant de retirer le collecteur d'herbe. Soyez conscient que la lame continue de tourner même après la mise hors tension.

Entretien et rangement

1. Pour votre propre sécurité, remplacez les pièces usées ou endommagées. Utilisez exclusivement des pièces de rechange et accessoires authentiques.
2. Procédez régulièrement à l'inspection et à l'entretien de la tondeuse.
3. Lorsque vous ne l'utilisez pas, rangez la tondeuse hors de portée des enfants.
4. Gardez tous les écrous, boulons et vis bien serrés pour garantir le fonctionnement sûr de l'équipement.
5. Inspectez régulièrement le bac à herbe pour vérifier l'absence d'usure ou de détérioration. Avant le rangement, assurez-vous toujours que le bac à herbe est vide. Si le bac à herbe est usé, remplacez-le par un bac de rechange neuf pour votre sécurité.
6. Utilisez exclusivement les lames authentiques du fabricant spécifiées dans ce mode d'emploi.

7. Lorsque vous réglez la tondeuse, évitez de vous coincer les doigts entre les lames en mouvement et les pièces fixes de la tondeuse.
8. Ne nettoyez pas la tondeuse avec un tuyau d'arrosage ; évitez de mouiller le moteur et les connexions électriques.
9. Vérifiez régulièrement le boulon de montage de la lame pour vous assurer qu'il est bien serré.
10. Laissez toujours refroidir la tondeuse avant de la ranger.
11. Lors de l'entretien des lames, gardez à l'esprit qu'elles peuvent tourner même si la source d'alimentation est coupée.
12. Ne retirez ni ne modifiez jamais les dispositifs de sécurité. Vérifiez régulièrement leur bon fonctionnement. Ne faites jamais quoi que ce soit susceptible d'entraver la fonction prévue d'un dispositif de sécurité ou de réduire la protection assurée par un dispositif de sécurité.

Utilisation et entretien des outils fonctionnant sur batterie

1. Rechargez la batterie uniquement avec le chargeur spécifié par le fabricant. Un chargeur qui est adapté à un type spécifique de batterie peut présenter un risque d'incendie s'il est utilisé avec un autre type de batterie.
2. Utilisez un outil électrique uniquement avec la batterie spécifiquement indiquée. L'utilisation de toute autre batterie peut présenter un risque de blessure et d'incendie.
3. Lorsque vous n'utilisez pas la batterie, tenez-la à l'écart des objets métalliques, comme des trombones, pièces de monnaie, clés, clous, vis ou autres petits objets métalliques, susceptibles de créer une connexion entre deux bornes. Court-circuiter les bornes d'une batterie entre elles peut provoquer des brûlures ou un incendie.
4. Dans des conditions d'utilisation inadéquate, il peut y avoir une fuite de l'électrolyte de la batterie. Le cas échéant, évitez tout contact avec ce liquide. En cas de contact accidentel, rincez à l'eau. Si le liquide pénètre dans les yeux, consultez par ailleurs un médecin. Le liquide s'échappant de la batterie peut provoquer une irritation ou des brûlures.
5. N'utilisez pas une batterie ou un outil s'ils sont endommagés ou modifiés. Une batterie endommagée ou modifiée peut avoir un comportement imprévisible susceptible d'entraîner un incendie, une explosion ou des blessures.
6. N'exposez pas la batterie ou l'outil au feu ou à une température excessive. L'exposition au feu ou à une température supérieure à 130 °C peut provoquer une explosion.
7. Respectez toutes les instructions de charge et ne chargez pas la batterie ou l'outil en dehors de la plage de température indiquée dans les instructions. Une charge incorrecte ou à une température en dehors de la plage indiquée peut endommager la batterie et augmenter le risque d'incendie.

Sécurité électrique et sécurité des batteries

1. **Ne jetez pas la ou les batteries au feu.**
L'élément de la pile pourrait exploser. Consultez les codes locaux pour de possibles instructions de mise au rebut spéciales.
2. **N'ouvrez ni ne manipulez la ou les batteries.**
L'électrolyte qui s'échappe de la batterie est corrosif et peut irriter la peau ou les yeux. Il peut être toxique en cas d'ingestion.
3. **Ne chargez pas la batterie sous la pluie ou dans un endroit mouillé.**
4. **Ne pas charger la batterie à l'extérieur.**
5. **Ne manipulez pas le chargeur, y compris la fiche du chargeur et les bornes du chargeur avec les mains mouillées.**

Dépannage

1. **Confiez la réparation de votre outil électrique à un réparateur qualifié qui utilise des pièces de rechange identiques.** La sécurité de l'outil électrique sera ainsi préservée.
2. **Ne dépannez jamais les batteries endommagées.**
Le dépannage des batteries doit être effectué uniquement par le fabricant ou un dépanneur agréé.

CONSERVEZ CES INSTRUCTIONS.

⚠️ AVERTISSEMENT : NE vous laissez PAS tromper (au fil d'une utilisation répétée) par un sentiment d'aisance et de familiarité avec le produit, en négligeant le respect rigoureux des consignes de sécurité qui accompagnent le produit en question.

La MAUVAISE UTILISATION de l'outil ou l'ignorance des consignes de sécurité indiquées dans ce mode d'emploi peut entraîner de graves blessures.

Consignes de sécurité importantes pour la batterie

1. **Avant d'utiliser la batterie, lisez toutes les instructions et précautions relatives (1) au chargeur de batterie, (2) à la batterie, et (3) au produit utilisant la batterie.**
2. **Ne désassemblez pas et ne modifiez pas la batterie.** Cela pourrait entraîner un incendie, une chaleur excessive ou une explosion.
3. **Cessez immédiatement l'utilisation si le temps de fonctionnement devient excessivement court.** Il y a risque de surchauffe, de brûlures, voire d'explosion.
4. **Si l'électrolyte pénètre dans vos yeux, rincez-les à l'eau claire et consultez immédiatement un médecin.** Il y a risque de perte de la vue.
5. **Ne court-circuitez pas la batterie :**
 - (1) **Ne touchez les bornes avec aucun matériau conducteur.**
 - (2) **Évitez de ranger la batterie dans un conteneur avec d'autres objets métalliques, par exemple des clous, des pièces de monnaie, etc.**
 - (3) **N'exposez pas la batterie à l'eau ou à la pluie.**

Un court-circuit de la batterie peut provoquer une intensité de courant élevée, une surchauffe, parfois des brûlures et même une panne.

6. **Ne rangez ni n'utilisez l'outil et la batterie dans un endroit où la température risque d'atteindre ou de dépasser 50 °C.**
7. **Ne jetez pas la batterie au feu même si elle est sérieusement endommagée ou complètement épuisée.** La batterie peut exploser au contact du feu.
8. **Abstenez-vous de clouer, couper, écraser, jeter, laisser tomber la batterie, ou de la heurter contre un objet dur.** Cela pourrait entraîner un incendie, une chaleur excessive ou une explosion.
9. **N'utilisez pas la batterie si elle est endommagée.**
10. **Les batteries au lithium-ion contenues sont soumises aux exigences de la législation sur les marchandises dangereuses.**
Lors du transport commercial par des tierces parties ou des transitaires par exemple, des exigences spécifiques en matière d'étiquetage et d'emballage doivent être respectées.
Pour la préparation de l'article expédié, il est nécessaire de consulter un expert en matériel dangereux. Veuillez également respecter les réglementations nationales susceptibles d'être plus détaillées.
Recouvrez les contacts exposés avec du ruban adhésif ou du ruban de masquage et emballez la batterie de telle sorte qu'elle ne puisse pas bouger dans l'emballage.
11. **Lors de la mise au rebut de la batterie, retirez-la de l'outil et jetez-la en lieu sûr.** Suivez les réglementations locales en matière de mise au rebut des batteries.
12. **Utilisez les batteries uniquement avec les produits spécifiés par Makita.** L'insertion de batteries dans des produits non conformes peut provoquer un incendie, une chaleur excessive, une explosion ou une fuite de l'électrolyte.
13. **Lorsque vous n'utilisez pas l'outil pendant une période prolongée, la batterie doit être retirée de l'outil.**
14. **Pendant et après l'utilisation, la batterie peut chauffer, ce qui peut entraîner des brûlures, y compris en cas de température relativement basse.** Manipulez les batteries chaudes avec précaution.
15. **Ne touchez pas la borne de l'outil immédiatement après utilisation car elle peut être assez chaude pour provoquer des brûlures.**
16. **Évitez que des copeaux, de la poussière ou du sol adhérent aux bornes, aux trous et aux rainures de la batterie.** Cela pourrait réduire les performances ou casser l'outil ou la batterie.
17. **À moins que l'outil prenne en charge un tel usage, n'utilisez pas la batterie à proximité de lignes électriques haute tension.** Cela pourrait entraîner un dysfonctionnement ou casser l'outil ou la batterie.
18. **Conservez la batterie hors de portée des enfants.**

CONSERVEZ CES INSTRUCTIONS.

⚠ ATTENTION : N'utilisez que des batteries Makita d'origine. L'utilisation de batteries de marque autre que Makita ou de batteries modifiées peut provoquer l'explosion des batteries, ce qui présente un risque d'incendie, de dommages matériels et corporels. Cela annulera également la garantie Makita pour l'outil et le chargeur Makita.

Conseils pour assurer la durée de vie optimale de la batterie

1. Chargez la batterie avant qu'elle ne soit complètement déchargée. Arrêtez toujours l'outil et rechargez la batterie quand vous remarquez que la puissance de l'outil diminue.
2. Ne rechargez jamais une batterie complètement chargée. La surcharge réduit la durée de service de la batterie.
3. Chargez la batterie à une température ambiante comprise entre 10 °C et 40 °C. Avant de charger une batterie chaude, laissez-la refroidir.
4. Lorsque vous n'utilisez pas la batterie, retirez-la de l'outil ou du chargeur.
5. Rechargez la batterie si elle est restée inutilisée pendant une période prolongée (plus de six mois).

ASSEMBLAGE

⚠ AVERTISSEMENT : Avant toute intervention sur la tondeuse, assurez-vous toujours que la clé de sécurité et la batterie sont retirées. En ne retirant pas la clé de sécurité et la batterie, vous risqueriez de vous blesser grièvement en cas de démarrage accidentel.

⚠ AVERTISSEMENT : Ne démarrez la tondeuse que si ses pièces sont toutes montées. En utilisant une machine alors que ses pièces ne sont pas toutes montées, vous risqueriez de vous blesser grièvement en cas de démarrage accidentel.

Installation du couvercle de batterie

⚠ AVERTISSEMENT : N'insérez pas la clé de sécurité et la batterie avant d'avoir installé le couvercle de batterie. Le non-respect de cette consigne peut entraîner des blessures graves.

Installez complètement le couvercle de batterie avant utilisation. Le couvercle de batterie protège la tondeuse et la batterie de la boue, des saletés et de l'eau.

1. Placez le couvercle de batterie en alignant les parties saillantes de la tondeuse avec les trous du couvercle.
▶ Fig.1: 1. Partie saillante 2. Trou 3. Couvercle de batterie
2. Posez vos mains au milieu du couvercle de batterie et enfoncez-le.
▶ Fig.2

3. Avant la première utilisation, vérifiez que les points d'articulation du couvercle de batterie sont assemblés correctement. Si le couvercle de batterie est correctement installé, il ne s'ouvrira pas tant que le levier de verrouillage du couvercle de batterie n'est pas actionné.

▶ Fig.3: 1. Point d'articulation 2. Levier de verrouillage du couvercle de batterie

Installation de la poignée

REMARQUE : Lorsque vous installez les poignées, placez les cordons de sorte qu'ils courent librement entre les poignées. Si un cordon est endommagé, l'interrupteur de la tondeuse peut ne pas fonctionner.

1. Faites glisser les deux extrémités de la poignée inférieure dans les rainures de la tondeuse, puis serrez complètement les vis de serrage.

▶ Fig.4: 1. Vis de serrage 2. Poignée inférieure

2. Alignez les trous de vis de la poignée supérieure et de la poignée inférieure. Fixez-les à l'aide des vis et des écrous de serrage.

▶ Fig.5: 1. Écrou de serrage 2. Vis de serrage

NOTE : Tenez fermement la poignée supérieure de manière à ne pas la lâcher.

3. Fixez les supports à la poignée. Placez le cordon d'alimentation comme illustré sur la figure.

▶ Fig.6: 1. Support

Retrait de l'insert broyeur

Accessoire en option

1. Ouvrez le couvercle arrière.

▶ Fig.7: 1. Couvercle arrière

2. Tenez l'insert broyeur par la poignée, puis sortez-le du corps de la tondeuse comme illustré sur la figure.

▶ Fig.8: 1. Insert broyeur 2. Poignée

Pose du bac à herbe

1. Ouvrez le couvercle arrière.

▶ Fig.9: 1. Couvercle arrière

2. Accrochez le bac à herbe sur la tige de la tondeuse comme illustré sur la figure.

▶ Fig.10: 1. Crochet 2. Tige 3. Bac à herbe

Fixation de l'insert broyeur

Accessoire en option

1. Ouvrez le couvercle arrière, puis retirez le bac à herbe.

▶ Fig.11: 1. Couvercle arrière 2. Bac à herbe

2. Tenez l'insert broyeur par la poignée, puis fixez-le au corps de la tondeuse comme illustré sur la figure.

▶ Fig.12: 1. Insert broyeur 2. Poignée

DESCRIPTION DU FONCTIONNEMENT

Insertion ou retrait de la batterie

⚠ ATTENTION : Éteignez toujours la machine avant de mettre en place ou de retirer la batterie.

⚠ ATTENTION : Veillez à verrouiller le couvercle de batterie avant toute utilisation. Autrement, la boue, les saletés ou l'eau risquent d'endommager le produit ou la batterie.

⚠ ATTENTION : Insérez toujours la batterie à fond, jusqu'à ce que le voyant rouge ne soit plus visible. Sinon, elle risque de tomber accidentellement de la machine, ce qui peut blesser l'utilisateur ou une autre personne.

⚠ ATTENTION : Ne forcez pas pour insérer la batterie. Si elle ne glisse pas facilement, c'est que vous ne l'insérez pas correctement.

NOTE : La machine ne peut pas fonctionner avec une seule batterie.

Pour mettre la batterie en place ;

1. Faites glisser le levier de verrouillage du couvercle de batterie et ouvrez le couvercle de batterie.

► **Fig.13:** 1. Couvercle de batterie 2. Levier de verrouillage du couvercle de batterie

2. Alignez la languette de la batterie sur la fente de la tondeuse et faites glisser la batterie jusqu'à ce qu'elle se verrouille en place (vous devez entendre un léger dé clic).

► **Fig.14:** 1. Batterie

3. Insérez à fond la clé de sécurité à l'emplacement indiqué sur la figure.

► **Fig.15:** 1. Clé de sécurité

4. Fermez le couvercle de batterie et appuyez dessus jusqu'à ce qu'il soit verrouillé par le levier de verrouillage.

Pour retirer la batterie de la tondeuse ;

1. Faites glisser le levier de verrouillage du couvercle de batterie et ouvrez le couvercle de batterie.

2. Retirez la batterie de la tondeuse en faisant glisser le bouton à l'avant de la batterie.

3. Tirez sur la clé de sécurité pour la retirer.

4. Fermez le couvercle de batterie.

Système de protection de la machine/batterie

La machine est dotée d'un système de protection de la machine/batterie. Ce système coupe automatiquement l'alimentation vers le moteur pour prolonger la durée de vie de l'outil et de la batterie. Si la machine ou la batterie se trouve dans l'une des situations suivantes, la machine cessera automatiquement de fonctionner.

Protection contre la surcharge

Lorsque la machine est utilisée d'une façon qui entraîne un appel de courant anormalement élevé, elle s'arrête automatiquement sans aucune indication. Dans ce cas, éteignez la machine et arrêtez la tâche ayant provoqué sa surcharge. Puis rallumez la machine pour reprendre la tâche.

Protection contre la surchauffe

Lorsque la machine est en surchauffe, elle s'arrête automatiquement. Laissez la machine refroidir avant de la remettre sous tension.

Protection contre la décharge totale de la batterie

Lorsque la capacité de la batterie devient faible, la machine s'arrête automatiquement. Si le produit ne fonctionne pas même en actionnant les interrupteurs, retirez les batteries de la machine et chargez-les.

Indication de la charge restante de la batterie

► **Fig.16:** 1. Témoin de la batterie

Lorsque l'autonomie restante de la batterie diminue, le témoin de la batterie clignote du côté batterie correspondant. Si vous continuez à utiliser la machine, elle s'arrête et le témoin de la batterie s'allume pendant environ 10 secondes. Dans ce cas, rechargez la batterie.

Indication de la charge restante de la batterie

Uniquement pour les batteries avec voyant lumineux

► **Fig.17:** 1. Témoins 2. Bouton de vérification

Appuyez sur le bouton de vérification sur la batterie pour indiquer la charge restante de la batterie. Les témoins s'allument pendant quelques secondes.

Témoins			Charge restante
Allumé	Éteint	Clignotant	
■	■	■	75 % à 100 %
■	■	□	50 % à 75 %
■	□	□	25 % à 50 %
■	□	□	0 % à 25 %
◐	□	□	Chargez la batterie.
■	■	□	Anomalie possible de la batterie.
□	□	■	

NOTE : Selon les conditions d'utilisation et la température ambiante, l'indication peut être légèrement différente de la capacité réelle.

Fonctionnement de la gâchette

⚠ AVERTISSEMENT : Avant de mettre la batterie en place, vérifiez toujours que le levier d'interrupteur fonctionne correctement et revient en position initiale une fois libéré. L'utilisation d'une machine dont l'interrupteur est défectueux comporte un risque de perte de contrôle et de graves blessures.

NOTE : Même si vous tirez sur le levier d'interrupteur, la tondeuse ne démarre pas si vous n'appuyez pas sur le bouton d'interrupteur.

NOTE : La tondeuse peut ne pas démarrer en raison d'une surcharge si vous essayez de tondre de l'herbe haute ou dense en une fois. Augmentez la hauteur de tonte dans ce cas.

Cette tondeuse est équipée d'un interrupteur d'interverrouillage et d'un interrupteur de poignée. Si vous constatez une anomalie sur l'un ou l'autre de ces interrupteurs, cessez immédiatement l'utilisation et faites-le vérifier par le centre de service après-vente Makita agréé le plus proche.

1. Mettez les batteries en place. Insérez la clé de sécurité dans l'interrupteur d'interverrouillage puis fermez le couvercle de batterie.

► **Fig.18**: 1. Batterie 2. Clé de sécurité

2. Maintenez enfoncé le bouton d'interrupteur.

3. Saisissez la poignée supérieure et tirez sur le levier d'interrupteur.

► **Fig.19**: 1. Bouton d'interrupteur 2. Levier d'interrupteur

4. Libérez le bouton d'interrupteur dès que le moteur se met à tourner. La tondeuse continue de tourner jusqu'à ce que vous libériez le levier d'interrupteur.

5. Pour couper le moteur, libérez le levier d'interrupteur.

Réglage de la hauteur de tonte

⚠ AVERTISSEMENT : Ne mettez jamais une main ou une jambe sous la tondeuse pendant que vous réglez la hauteur de tonte.

⚠ AVERTISSEMENT : Avant l'utilisation, assurez-vous toujours que le levier se loge bien dans la rainure.

La hauteur de tonte est réglable dans une plage comprise entre 20 mm et 75 mm.

1. Retirez la clé de sécurité.

2. Poussez le levier de réglage de la hauteur de tonte vers l'extérieur de la tondeuse et déplacez-le sur la hauteur de tonte souhaitée.

► **Fig.20**: 1. Levier de réglage de la hauteur de tonte

NOTE : Les chiffres de la hauteur de tonte doivent être utilisés à titre indicatif. Selon l'état de la pelouse ou du sol, la hauteur réelle du gazon peut être légèrement différente de la hauteur définie.

NOTE : Faites un essai de tonte en un point peu visible pour vérifier si vous obtenez la hauteur de tonte désirée.

Témoin de niveau d'herbe

► **Fig.21**: 1. Témoin de niveau d'herbe

Le témoin de niveau d'herbe indique le volume d'herbe tondue.

- Lorsque le bac à herbe n'est pas plein, l'indicateur flotte pendant la tonte.
- Lorsque le bac à herbe est plein, l'indicateur ne flotte pas pendant la tonte. Il faut alors immédiatement arrêter de tondre et vider le bac. Après avoir vidé le bac, nettoyez-le afin que ses mailles laissent passer l'air.

NOTE : Le témoin donne une indication approximative. Suivant les conditions à l'intérieur du bac, il se peut que le témoin ne fonctionne pas correctement.

Utilisation de l'insert broyeur

Accessoire en option

L'insert broyeur vous permet d'évacuer l'herbe coupée au sol sans la collecter dans le bac à herbe. Lorsque vous utilisez la machine avec l'insert broyeur, veillez à retirer le bac à herbe.

REMARQUE : Lors de l'utilisation de la machine avec l'insert broyeur, assurez-vous que la hauteur totale de l'herbe après la coupe est de 30 mm ou plus, et que la longueur de coupe est de 15 mm ou moins.

► **Fig.22**: (1) 30 mm ou plus (2) 15 mm ou moins

UTILISATION

Tonte

⚠ AVERTISSEMENT : Avant de commencer à tondre, enlevez les bouts de bois et les cailloux de la zone à tondre. Enlevez également les mauvaises herbes au préalable de la zone à tondre.

⚠ AVERTISSEMENT : Lorsque vous utilisez la tondeuse, portez toujours des lunettes de sécurité ou lunettes à coques à écrans latéraux.

⚠ ATTENTION : Si de l'herbe coupée ou un objet étranger se coince dans le corps de la tondeuse, veillez à retirer la clé de sécurité et la batterie, et à porter des gants avant de retirer l'herbe ou l'objet étranger.

REMARQUE : Utilisez cette machine exclusivement pour tondre la pelouse. N'utilisez pas cette machine pour couper des mauvaises herbes.

► **Fig.23**

Pendant la tonte, tenez fermement la poignée à deux mains.

La vitesse de tonte indicative est d'environ 1 mètre toutes les 4 secondes.

► **Fig.24**

Les bords externes des roues avant donnent une indication de la largeur de tonte. En vous servant des bords externes des roues avant comme indication, tondez en bandes. Chevauchez la bande précédente de la moitié à un tiers, afin de tondre la pelouse uniformément.

► **Fig.25:** 1. Largeur de tonte 2. Surface de chevauchement 3. Bord externe

Changez chaque fois le sens de la tonte pour éviter que le motif de l'herbe ne se forme que dans un sens.

► **Fig.26**

Vérifiez régulièrement l'herbe tondue dans le bac à herbe. Videz le bac à herbe avant qu'il ne soit plein. Avant chaque contrôle périodique, veillez à arrêter la tondeuse et à enlever la clé de sécurité et la batterie.

REMARQUE : Si vous continuez d'utiliser la tondeuse alors que le bac à herbe est plein, la lame ne pourra pas tourner librement et le moteur sera surchargé, ce qui comporte un risque de panne.

Tonte d'un gazon à herbe haute

N'essayez pas de couper l'herbe haute d'un seul coup. Tondez plutôt la pelouse par étapes. Espacez les tontes d'un jour ou deux, jusqu'à ce que le gazon soit uniformément court.

NOTE : L'herbe haute risque de s'étioler si vous la coupez très court d'un seul coup. L'herbe coupée peut également bloquer le mécanisme interne de la tondeuse.

Vidange du bac à herbe

AVERTISSEMENT : Pour réduire les risques d'accident, assurez-vous régulièrement que le bac à herbe n'est pas endommagé ou affaibli. Remplacez le bac à herbe au besoin.

1. Libérez le levier d'interrupteur.
2. Retirez la clé de sécurité.
3. Ouvrez le couvercle arrière et retirez le bac à herbe en tenant la poignée.

► **Fig.27:** 1. Couvercle arrière 2. Poignée

4. Videz le bac à herbe.

ENTRETIEN

AVERTISSEMENT : Assurez-vous toujours que la clé de sécurité et la batterie sont retirées de la tondeuse avant de la ranger, de la transporter ou d'en faire l'inspection ou l'entretien.

AVERTISSEMENT : Retirez toujours la clé de sécurité lorsque vous n'utilisez pas la tondeuse. Rangez la clé de sécurité dans un emplacement sûr, hors de la portée des enfants.

AVERTISSEMENT : Portez des gants lorsque vous effectuez l'inspection ou l'entretien.

AVERTISSEMENT : Portez toujours des lunettes de sécurité ou lunettes à coques à écrans latéraux lorsque vous procédez à l'inspection ou l'entretien de la machine.

REMARQUE : N'utilisez jamais d'essence, benzine, diluant, alcool ou autre produit similaire. Cela risquerait de provoquer la décoloration, la déformation ou la fissuration de l'outil.

Pour assurer la SÉCURITÉ et la FIABILITÉ du produit, toute réparation, tout travail d'entretien ou de réglage doivent être effectués par un centre d'entretien Makita agréé, avec des pièces de rechange Makita.

Entretien

1. Retirez la clé de sécurité. Rangez-la dans un emplacement sûr, hors de la portée des enfants.
2. Utilisez un chiffon humide pour nettoyer la tondeuse. Évitez de vaporiser ou de verser de l'eau sur la tondeuse pour la nettoyer.
3. Basculez la tondeuse sur le côté et enlevez l'herbe coupée accumulée sous le plateau de la tondeuse.
4. Assurez-vous que les écrous, boulons, boutons, vis, attaches et autres fixations sont bien serrés.
5. Vérifiez l'absence de dommages, de bris et d'usure sur les pièces mobiles. Les pièces endommagées ou manquantes doivent être réparées ou remplacées.

Rangement

AVERTISSEMENT : Pour transporter ou ranger la tondeuse, tenez-la par la poignée avant, pas par les poignées rabattues. Vous risquez de vous blesser grièvement ou d'endommager la tondeuse si vous la tenez par les poignées rabattues.

Avant de ranger la tondeuse, retirez la batterie et la clé de sécurité.

Rangez la tondeuse à l'intérieur, dans un endroit frais, sec et verrouillé. Ne rangez pas la tondeuse et le chargeur dans un endroit où la température peut atteindre ou dépasser 40 °C.

► **Fig.28:** 1. Poignée avant 2. Poignée arrière

1. Desserrez les vis de serrage et déployez la poignée inférieure des deux côtés. Abaissez la poignée vers l'avant. À cet instant, maintenez une poignée ferme sur la poignée inférieure de sorte que la poignée ne tombe pas de l'autre côté de la tondeuse.

► **Fig.29:** 1. Vis de serrage 2. Poignée inférieure

2. Desserrez les écrous de serrage et faites pivoter la poignée supérieure vers l'arrière tout en déployant les deux côtés.

► **Fig.30:** 1. Écrou de serrage 2. Poignée supérieure

3. Rangez le bac à herbe entre la poignée et la tondeuse.

► **Fig.31:** 1. Bac à herbe

NOTE : Lorsque vous placez la tondeuse à la verticale, ne tenez pas la poignée, mais utilisez la poignée avant de la tondeuse.

Pose ou dépose de la lame de tondeuse

⚠️ AVERTISSEMENT : Avant de déposer ou de poser la lame, retirez toujours la clé de sécurité et la batterie. Vous risquez une grave blessure si vous ne retirez pas la clé de sécurité et la batterie.

⚠️ AVERTISSEMENT : La lame continue de tourner pendant quelques secondes après la libération de l'interrupteur. Ne démarrez aucune opération tant que la lame n'est pas complètement arrêtée.

⚠️ AVERTISSEMENT : Portez toujours des gants pour manipuler la lame.

Retrait de la lame de tondeuse

Pour DLM382

1. Basculez la tondeuse sur le côté pour que le levier de réglage de la hauteur de tonte se place sur le dessus.
2. Pour verrouiller la rotation de la lame, insérez un tournevis ou un outil similaire dans un trou sur le corps de la tondeuse.
3. Tournez le boulon dans le sens inverse des aiguilles d'une montre avec la clé.
▶ **Fig.32:** 1. Lame de tondeuse 2. Tournevis 3. Clé
4. Retirez le boulon et la lame dans cet ordre.
▶ **Fig.33:** 1. Support de lame 2. Lame de tondeuse 3. Boulon

Pour DLM432

1. Basculez la tondeuse sur le côté pour que le levier de réglage de la hauteur de tonte se place sur le dessus.
2. Pour verrouiller la rotation de la lame, insérez un tournevis ou un outil similaire dans un trou sur le corps de la tondeuse.
3. Tournez le boulon dans le sens inverse des aiguilles d'une montre avec la clé.
▶ **Fig.34:** 1. Lame de tondeuse 2. Tournevis 3. Clé
4. Déposez le boulon, la flasque extérieure, la lame de tondeuse et la flasque intérieure (dans cet ordre).
▶ **Fig.35:** 1. Flasque intérieure 2. Lame de tondeuse 3. Flasque extérieure 4. Boulon

Mise en place de la lame de tondeuse

Pour installer la lame de tondeuse, suivez la procédure de dépose en sens inverse.

⚠️ AVERTISSEMENT : Installez la lame de tondeuse soigneusement. Elle présente une face supérieure et une face inférieure. Placez la lame de sorte que la flèche d'indication du sens de rotation soit tournée vers l'extérieur.

⚠️ AVERTISSEMENT : Pour fixer la lame, serrez fermement le boulon en tournant dans le sens des aiguilles d'une montre.

⚠️ AVERTISSEMENT : Assurez-vous que la lame de tondeuse et toutes les pièces de fixation sont correctement installées et solidement serrées.

⚠️ AVERTISSEMENT : Lorsque vous remplacez les lames, suivez toujours les instructions fournies dans ce mode d'emploi.

GUIDE DE DÉPANNAGE

Avant de faire une demande de réparation, effectuez d'abord vous-même une inspection. Si vous rencontrez un problème non documenté dans le mode d'emploi, n'essayez pas de démonter l'outil. Demandez plutôt à un centre de service après-vente Makita agréé d'effectuer la réparation au moyen de pièces de rechange Makita.

État d'anomalie	Cause probable (dysfonctionnement)	Solution
La tondeuse ne démarre pas.	Les deux batteries ne sont pas installées.	Installez les batteries chargées.
	Problème de batterie (tension insuffisante)	Rechargez la batterie. Si vous n'arrivez pas à recharger la batterie, remplacez-la.
	La clé de sécurité n'est pas insérée.	Insérez la clé de sécurité.
Le moteur s'arrête au bout d'un court moment.	La charge de la batterie est faible.	Rechargez la batterie. Si vous n'arrivez pas à recharger la batterie, remplacez-la.
	La hauteur de coupe est trop basse.	Augmentez la hauteur de coupe.
Le moteur ne tourne pas à plein régime.	La batterie n'est pas bien installée.	Suivez les instructions de ce mode d'emploi pour installer la batterie.
	La batterie faiblit.	Rechargez la batterie. Si vous n'arrivez pas à recharger la batterie, remplacez-la.
	Le mécanisme d'entraînement ne fonctionne pas bien.	Demandez à votre centre de service après-vente agréé d'effectuer la réparation.
La lame de tondeuse ne tourne pas : ⇒ arrêtez immédiatement la tondeuse !	Un corps étranger, tel qu'une branche, est coincé près de la lame.	Retirez le corps étranger.
	Le mécanisme d'entraînement ne fonctionne pas bien.	Demandez à votre centre de service après-vente agréé d'effectuer la réparation.
Vibrations anormales : ⇒ arrêtez immédiatement la tondeuse !	La lame est déséquilibrée, trop usée ou usée de manière inégale.	Remplacez la lame.

ACCESSOIRES EN OPTION

⚠ ATTENTION : Ces accessoires ou pièces complémentaires sont recommandés pour l'utilisation avec l'outil Makita spécifié dans ce mode d'emploi. L'utilisation de tout autre accessoire ou pièce complémentaire peut comporter un risque de blessure. N'utilisez les accessoires ou pièces complémentaires qu'aux fins auxquelles ils ont été conçus.

Pour obtenir plus de détails sur ces accessoires, contactez votre centre d'entretien local Makita.

- Lame de tondeuse
- Insert broyeur
- Batterie et chargeur de marque Makita

NOTE : Il se peut que certains éléments de la liste soient compris dans l'emballage de l'outil en tant qu'accessoires standard. Ils peuvent varier d'un pays à l'autre.

TECHNISCHE DATEN

Modell:		DLM382	DLM432
Mähbreite (Messerdurchmesser)		380 mm	430 mm
Leeraufdrehzahl		3.700 min ⁻¹	3.600 min ⁻¹
Teilenummer des Ersatz-Mähermessers		191D41-2	191D43-8
Abmessungen (L x B x H)	während des Betriebs	L: 1.380 mm bis 1.410 mm B: 450 mm H: 985 mm bis 1.005 mm	L: 1.435 mm bis 1.490 mm B: 460 mm H: 1.005 mm bis 1.045 mm
	bei Lagerung (ohne Graskorb)	860 mm x 450 mm x 475 mm	865 mm x 460 mm x 475 mm
Nennspannung		36 V Gleichstrom	
Nettogewicht		15,0 - 16,5 kg	15,4 - 17,1 kg

- Wir behalten uns vor, Änderungen der technischen Daten im Zuge der Entwicklung und des technischen Fortschritts ohne vorherige Ankündigung vorzunehmen.
- Die technischen Daten können von Land zu Land unterschiedlich sein.
- Das Gewicht kann abhängig von dem Aufsatz (den Aufsätzen), einschließlich des Akkus, unterschiedlich sein. Die leichteste und die schwerste Kombination, gemäß dem EPTA-Verfahren 01/2014, sind in der Tabelle angegeben.

Zutreffende Akkus und Ladegeräte

Akku	BL1815N / BL1820 / BL1820B / BL1830 / BL1830B / BL1840 / BL1840B / BL1850 / BL1850B / BL1860B
Ladegerät	DC18RC / DC18RD / DC18RE / DC18SD / DC18SE / DC18SF / DC18SH






- Einige der oben aufgelisteten Akkus und Ladegeräte sind je nach Ihrem Wohngebiet eventuell nicht erhältlich.

⚠️ WARNUNG: Verwenden Sie nur die oben aufgeführten Akkus und Ladegeräte. Bei Verwendung irgendwelcher anderer Akkus und Ladegeräte besteht Verletzungs- und/oder Brandgefahr.

⚠️ WARNUNG: Verwenden Sie keine verkabelte Stromversorgung, wie z. B. einen Akku-Adapter oder eine rückentragbare Akku-Bank, mit dieser Maschine. Anderenfalls kann das Kabel einer solchen Stromversorgung den Betrieb behindern und Personenschäden verursachen.

Symbole

Nachfolgend werden Symbole beschrieben, die für das Gerät verwendet werden können. Machen Sie sich unbedingt vor der Benutzung mit ihrer Bedeutung vertraut.

	Besondere Umsicht und Aufmerksamkeit erforderlich.
	Betriebsanleitung lesen.
	Gefahr durch herausgeschleuderte Objekte.
	Der Abstand zwischen dem Werkzeug und Umstehenden sollte mindestens 15 m betragen.
	Halten Sie niemals Ihre Hände und Füße in die Nähe des Messers unter dem Mäher. Die Messer drehen sich nach dem Ausschalten des Motors noch weiter.



Entfernen Sie den Sperrschlüssel, bevor Sie den Mäher überprüfen, einstellen, reinigen, warten, verlassen und lagern.



Ni-MH
Li-ion

Nur für EU-Länder
Werfen Sie Elektrogeräte oder Akkus nicht in den Hausmüll!

Unter Einhaltung der Europäischen Richtlinie über Elektro- und Elektronik-Altgeräte, Batterien, Akkus sowie verbrauchte Batterien und Akkus und ihre Umsetzung gemäß den Landesgesetzen müssen Elektrogeräte und Batterien bzw. Akkus, die das Ende ihrer Lebensdauer erreicht haben, getrennt gesammelt und einer umweltgerechten Recycling-Einrichtung zugeführt werden.

Vorgesehene Verwendung

Die Maschine ist für Rasenmähen vorgesehen.

Geräusch

Typischer A-bewerteter Geräuschpegel ermittelt gemäß EN60335-2-77:

Modell DLM382

Schalldruckpegel (L_{pA}): 81 dB (A)
Schalleistungspegel (L_{WA}): 91 dB (A)
Messunsicherheit (K): 3 dB (A)

Modell DLM432

Schalldruckpegel (L_{pA}): 81 dB (A)
Schalleistungspegel (L_{WA}): 92 dB (A)
Messunsicherheit (K): 3 dB (A)

HINWEIS: Der (Die) angegebene(n) Schallemissionswert(e) wurde(n) im Einklang mit der Standardprüfmethode gemessen und kann (können) für den Vergleich zwischen Werkzeugen herangezogen werden.

HINWEIS: Der (Die) angegebene(n) Schallemissionswert(e) kann (können) auch für eine Vorbewertung des Gefährdungsgrads verwendet werden.

⚠️ WARNUNG: Einen Gehörschutz tragen.

⚠️ WARNUNG: Die Schallemission während der tatsächlichen Benutzung des Elektrowerkzeugs kann je nach der Benutzungsweise des Werkzeugs, und speziell je nach der Art des bearbeiteten Werkstücks, von dem (den) angegebenen Wert(en) abweichen.

⚠️ WARNUNG: Identifizieren Sie Sicherheitsmaßnahmen zum Schutz des Benutzers anhand einer Schätzung des Gefährdungsgrads unter den tatsächlichen Benutzungsbedingungen (unter Berücksichtigung aller Phasen des Arbeitszyklus, wie z. B. Ausschalt- und Leerlaufzeiten des Werkzeugs zusätzlich zur Betriebszeit).

Schwingungen

Schwingungsgesamtwert (Drei-Achsen-Vektorsumme) ermittelt gemäß EN60335-2-77:

Modell DLM382

Schwingungsemission (a_n): 2,5 m/s² oder weniger
Messunsicherheit (K): 2,0 m/s²

Modell DLM432

Schwingungsemission (a_n): 2,5 m/s² oder weniger
Messunsicherheit (K): 1,5 m/s²

HINWEIS: Der (Die) angegebene(n) Vibrationsgesamtwert(e) wurde(n) im Einklang mit der Standardprüfmethode gemessen und kann (können) für den Vergleich zwischen Werkzeugen herangezogen werden.

HINWEIS: Der (Die) angegebene(n) Vibrationsgesamtwert(e) kann (können) auch für eine Vorbewertung des Gefährdungsgrads verwendet werden.

⚠️ WARNUNG: Die Vibrationsemission während der tatsächlichen Benutzung des Elektrowerkzeugs kann je nach der Benutzungsweise des Werkzeugs, und speziell je nach der Art des bearbeiteten Werkstücks, von dem (den) angegebenen Emissionswert(en) abweichen.

⚠️ WARNUNG: Identifizieren Sie Sicherheitsmaßnahmen zum Schutz des Benutzers anhand einer Schätzung des Gefährdungsgrads unter den tatsächlichen Benutzungsbedingungen (unter Berücksichtigung aller Phasen des Arbeitszyklus, wie z. B. Ausschalt- und Leerlaufzeiten des Werkzeugs zusätzlich zur Betriebszeit).

EG-Konformitätserklärung

Nur für europäische Länder

Die EG-Konformitätserklärung ist als Anhang A in dieser Bedienungsanleitung enthalten.

SICHERHEITSWARNUNGEN

WICHTIGE SICHERHEITSVORSCHRIFTEN

⚠️ WARNUNG: Lesen Sie alle Sicherheitswarnungen und Anweisungen durch. Eine Missachtung der unten aufgeführten Warnungen und Anweisungen kann zu einem elektrischen Schlag, Brand und/oder schweren Verletzungen führen.

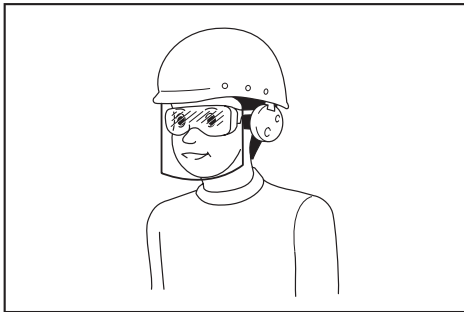
Bewahren Sie alle Warnungen und Anweisungen für spätere Bezugnahme auf.

Einarbeitung

1. Lesen Sie die Anweisungen sorgfältig durch. Machen Sie sich mit der Bedienung und dem korrekten Gebrauch des Mähers vertraut.
2. Kinder oder Personen, die nicht mit dieser Anleitung vertraut sind, dürfen den Mäher keinesfalls benutzen. Örtliche Vorschriften können das Alter der Bedienungsperson einschränken.
3. Betreiben Sie den Mäher keinesfalls, während sich Personen, besonders Kinder, oder Haustiere in der Nähe aufhalten.
4. Der Bediener oder Benutzer ist verantwortlich für Verletzungen oder Sachschäden, die an Personen oder ihrem Eigentum entstehen.
5. Kinder sollten beaufsichtigt werden, um sicherzugehen, dass sie nicht mit dem Mäher spielen.
6. Körperliche Verfassung - Betreiben Sie den Mäher nicht unter dem Einfluss von Drogen, Alkohol oder Medikamenten.

Vorbereitung

1. Tragen Sie während der Benutzung des Mähers stets kräftiges Schuhwerk und eine lange Hose. Betreiben Sie den Mäher nicht barfuß oder mit offenen Sandalen. Vermeiden Sie das Tragen von Kleidungsstücken oder Schmucksachen, die lose sitzen oder herunterhängende Schnüre oder Bänder haben. Diese können von beweglichen Teilen erfasst werden.
2. Unterziehen Sie den Mäher vor Gebrauch immer einer Sichtprüfung auf beschädigte, fehlende oder deplatzierte Schutzhauben oder Abschirmungen.
3. Vergewissern Sie sich, dass sich keine anderen Personen im Arbeitsbereich aufhalten, bevor Sie mit dem Mähen beginnen. Stellen Sie den Mäher ab, falls jemand den Arbeitsbereich betritt.
4. Stecken Sie den Sperrschlüssel nicht eher in den Mäher, bis dieser betriebsbereit ist.
5. Tragen Sie stets eine Schutzbrille, um Ihre Augen bei Verwendung von Elektrowerkzeugen vor Verletzung zu schützen. Die Brille muss der Vorschrift ANSI Z87.1 in den USA, EN 166 in Europa oder AS/NZS 1336 in Australien/Neuseeland entsprechen. In Australien/Neuseeland ist das Tragen eines Gesichtsschutzes gesetzlich vorgeschrieben, um auch Ihr Gesicht zu schützen.



Der Arbeitgeber ist dafür verantwortlich, den Gebrauch von angemessener Schutzausrüstung für die Werkzeugbenutzer und andere Personen im unmittelbaren Arbeitsbereich durchzusetzen.

6. Überprüfen Sie die Messer oder die Messerschrauben vor dem Betrieb sorgfältig auf Risse oder Beschädigung. Wechseln Sie gerissene oder beschädigte Messer oder Messerschrauben unverzüglich aus.
7. Entfernen Sie vor dem Mähen Fremdkörper, wie Steine, Draht, Flaschen, Knochen und große Äste, vom Arbeitsbereich, um Personenschäden und Beschädigung des Mähers zu verhüten.
8. Vom Mähermesser herausgeschleuderte Gegenstände können schwere Personenverletzungen verursachen. Der Rasen ist vor jedem Mähen sorgfältig zu überprüfen und von allen Objekten zu räumen.

9. Achten Sie auf Löcher, Furchen, Bodenwellen, Steine oder sonstige verborgene Objekte. Unebenes Gelände könnte einen Unfall durch Ausrutschen und Hinfallen verursachen. Hohes Gras kann Hindernisse verbergen.

Betrieb

1. Übernehmen Sie sich nicht. Achten Sie stets auf gute Balance. Achten Sie an Hängen immer auf einen sicheren Stand. Stets gehen, niemals laufen.
2. Halten Sie den Mäher an, entfernen Sie den Sperrschlüssel, und vergewissern Sie sich, dass alle beweglichen Teile zu einem vollständigen Stillstand gekommen sind:
 - wann immer Sie den Mäher verlassen,
 - bevor Sie Blockierungen beseitigen oder den Auswurf frei machen,
 - bevor Sie den Mäher überprüfen, reinigen oder daran arbeiten,
 - nach dem Auftreffen auf einen Fremdkörper.Überprüfen Sie den Mäher auf Beschädigung, und führen Sie Reparaturen durch, bevor Sie den Mäher wieder starten und in Betrieb nehmen, - wann immer der Mäher ungewöhnlich zu vibrieren beginnt.
3. Betreiben Sie den Mäher niemals mit defekten Schutzklappen oder Abschirmungen oder ohne Sicherheitsvorrichtungen, wie z. B. Abweiser und/oder Graskorb.
4. Vermeiden Sie die Benutzung des Mähers bei schlechten Witterungsverhältnissen, besonders bei Blitzschlaggefahr.
5. Tragen Sie während der Benutzung des Mähers stets einen Augenschutz und robuste Schuhe.
6. Betreiben Sie den Mäher nur bei Tageslicht oder hellem Kunstlicht.
7. Schalten Sie den Mäher gemäß den Anweisungen vorsichtig ein, während Ihre Füße einen ausreichenden Sicherheitsabstand von dem (den) Messer(n) haben.
8. Hüten Sie sich vor Fuß- und Handverletzungen durch die Mähermesser.
9. Achten Sie stets darauf, dass die Belüftungsöffnungen frei von Unrat sind.
10. Mähen Sie Hänge nur seitwärts, niemals auf und ab. Gehen Sie bei Richtungsänderungen auf Hängen äußerst vorsichtig vor. Mähen Sie keine sehr steilen Hänge.
11. Lassen Sie äußerste Vorsicht walten, wenn Sie den Mäher rückwärts betreiben oder auf sich zu ziehen.
12. Halten Sie das (die) Messer an, wenn der Mäher zum Transportieren gekippt werden muss, wenn andere Flächen als Rasen überquert werden müssen, und wenn der Mäher zu und vom Arbeitsbereich transportiert werden muss.
13. Neigen Sie den Mäher nicht, wenn Sie den Motor einschalten, außer wenn der Mäher zum Starten geneigt werden muss. Neigen Sie den Mäher in diesem Fall nicht mehr als absolut notwendig, und heben Sie nur den vom Bediener abgewandten Teil an. Achten Sie stets darauf, dass sich beide Hände an der Arbeitsposition befinden, bevor Sie den Mäher wieder auf den Boden stellen.

14. Halten Sie Ihre Hände oder Füße nicht in die Nähe von rotierenden Teilen oder darunter. Bleiben Sie stets von der Auswurföffnung fern.
 15. Transportieren Sie den Mäher nicht in eingeschaltetem Zustand.
 16. Vermeiden Sie die Benutzung des Mähers in nassem Gras.
 17. Betreiben Sie den Mäher niemals bei Regen.
 18. Halten Sie den Bügelgriff stets mit festem Griff.
 19. Fassen Sie nicht die freiliegenden Schneidmesser oder die Schneidkanten an, wenn Sie den Mäher anheben oder halten.
 20. Halten Sie Hände und Füße von den rotierenden Messern fern. Vorsicht - Die Messer drehen sich nach dem Ausschalten des Mähers noch weiter.
 21. Brechen Sie den Betrieb sofort ab, wenn Sie irgendetwas Ungewöhnliches bemerken. Schalten Sie den Mäher aus, und ziehen Sie den Sperrschlüssel ab. Überprüfen Sie dann den Mäher.
 22. Versuchen Sie niemals, Einstellungen der Schnitthöhe bei laufendem Mäher durchzuführen, wenn der Mäher eine Funktion zum Einstellen der Schnitthöhe besitzt.
 23. Lassen Sie den Schalthebel los, und warten Sie, bis das Messer zum Stillstand gekommen ist, bevor Sie Einfahrten, Gehwege, Straßen und schotterbedeckte Flächen überqueren. Ziehen Sie den Sperrschlüssel auch ab, wenn Sie den Mäher verlassen, wenn Sie sich bücken, um etwas aufzuheben oder aus dem Weg zu räumen, oder in irgendeiner anderen Situation, bei der Sie von Ihrer Arbeit abgelenkt werden könnten.
 24. Falls der Rasenmäher auf einen Fremdkörper stößt, gehen Sie folgendermaßen vor:
 - Stellen Sie den Mäher ab, lassen Sie den Schalthebel los, und warten Sie, bis das Messer zum vollständigen Stillstand kommt.
 - Entfernen Sie den Sperrschlüssel und den Akku.
 - Überprüfen Sie den Mäher gründlich auf etwaige Beschädigung.
 - Tauschen Sie das Messer aus, falls es in irgendeiner Weise beschädigt ist. Reparieren Sie etwaige Schäden, bevor Sie den Mäher wieder in Betrieb nehmen und weiter benutzen.
 25. Starten Sie den Mäher nicht, wenn Sie vor der Auswurföffnung stehen.
 26. Falls der Mäher beginnt, ungewöhnlich heftig zu vibrieren (sofort überprüfen),
 - auf Beschädigung überprüfen,
 - beschädigte Teile austauschen oder reparieren,
 - prüfen, ob lose Teile vorhanden sind, und diese festziehen.
 27. Richten Sie den Materialauswurf niemals auf Personen. Vermeiden Sie Auswerfen von Material gegen eine Wand oder eine Behinderung. Das Material könnte auf den Bediener zurückprallen. Halten Sie das Messer an, wenn Sie Schotterflächen überqueren.
 28. Ziehen Sie den Mäher nicht rückwärts, wenn dies nicht unbedingt notwendig ist. Wenn Sie gezwungen sind, den Mäher von einem Zaun oder einer ähnlichen Behinderung zurückzuziehen, schauen Sie nach unten und hinten, bevor und während Sie sich rückwärts bewegen.
 29. Stellen Sie den Motor ab, und warten Sie, bis das Messer zu einem vollständigen Stillstand kommt, bevor Sie den Grasfänger entfernen. Beachten Sie, dass die Messer nach dem Ausschalten nachlaufen.
- Wartung und Lagerung**
1. Tauschen Sie verschlissene oder beschädigte Teile zur Sicherheit aus. Verwenden Sie nur Original-Ersatzteile und -Zubehör.
 2. Überprüfen und warten Sie den Mäher regelmäßig.
 3. Bewahren Sie den Mäher bei Nichtgebrauch außer Reichweite von Kindern auf.
 4. Achten Sie auf festen Sitz aller Muttern, Bolzen und Schrauben, um sicherzugehen, dass sich das Gerät in einwandfreiem Arbeitszustand befindet.
 5. Überprüfen Sie den Graskorb oft auf Verschleiß oder Verschlechterung. Vergewissern Sie sich vor der Lagerung stets, dass der Graskorb leer ist. Tauschen Sie einen verschlissenen Graskorb zur Sicherheit gegen ein neues Original-Ersatzteil aus.
 6. Verwenden Sie nur die in dieser Anleitung angegebenen Originalmesser des Herstellers.
 7. Lassen Sie während der Einstellung des Mähers Vorsicht walten, um Einklemmen der Finger zwischen den beweglichen Messern und den feststehenden Teilen des Mähers zu verhüten.
 8. Waschen Sie den Mäher nicht mit einem Schlauch, um das Eindringen von Wasser in Motor und elektrische Anschlüsse zu vermeiden.
 9. Überprüfen Sie die Messerbefestigungsschraube in regelmäßigen Abständen auf festen Sitz.
 10. Lassen Sie den Mäher vor der Lagerung stets abkühlen.
 11. Wenn Sie die Messer warten, bedenken Sie, dass sich die Messer immer noch bewegen können, selbst wenn die Stromquelle abgeschaltet ist.
 12. Versuchen Sie niemals, Sicherheitsvorrichtungen zu entfernen oder zu manipulieren. Überprüfen Sie regelmäßig ihre ordnungsgemäße Funktion. Unterlassen Sie jegliche Beeinträchtigung der beabsichtigten Funktion einer Sicherheitsvorrichtung oder eine Verringerung des von einer Sicherheitsvorrichtung bereitgestellten Schutzes.
- Gebrauch und Pflege von Akkuwerkzeugen**
1. Laden Sie den Akku nur mit dem vom Hersteller vorgeschriebenen Ladegerät. Ein Ladegerät, das für einen Akkutyp geeignet ist, kann bei Verwendung mit einem anderen Akku eine Brandgefahr darstellen.

2. **Benutzen Sie Elektrowerkzeuge nur mit den ausdrücklich vorgeschriebenen Akkus.** Bei Verwendung irgendwelcher anderer Akkus besteht Verletzungs- und Brandgefahr.
3. **Bewahren Sie den Akku bei Nichtgebrauch nicht zusammen mit Metallgegenständen, wie Büroklammern, Münzen, Schlüsseln, Nägeln, Schrauben, und anderen kleinen Metallteilen auf, welche die Kontakte kurzschließen können.** Kurzschließen der Akkukontakte kann Verbrennungen oder einen Brand verursachen.
4. **Bei Missbrauch kann Flüssigkeit aus dem Akku austreten. Vermeiden Sie Kontakt mit dieser Flüssigkeit. Falls Sie versehentlich mit der Flüssigkeit in Berührung kommen, spülen Sie die betroffenen Stellen mit Wasser ab. Falls die Flüssigkeit in die Augen gelangt, suchen Sie zusätzlich ärztliche Hilfe auf.** Die vom Akku austretende Flüssigkeit kann Hautreizungen oder Verätzungen verursachen.
5. **Verwenden Sie keinen Akku und auch kein Werkzeug, der (das) beschädigt oder modifiziert ist.** Beschädigte oder modifizierte Akkus können unvorhersehbares Verhalten zeigen, das zu einem Brand, einer Explosion oder Verletzungsgefahr führen kann.
6. **Setzen Sie einen Akku oder ein Werkzeug nicht Feuer oder übermäßigen Temperaturen aus.** Bei Einwirkung von Feuer oder Temperaturen über 130 °C kann es zu einer Explosion kommen.
7. **Befolgen Sie alle Ladeanweisungen, und laden Sie den Akku bzw. das Werkzeug nicht außerhalb des in den Anweisungen angegebenen Temperaturbereichs.** Wird der Ladevorgang unsachgemäß oder bei Temperaturen außerhalb des angegebenen Bereichs durchgeführt, kann es zu einer Beschädigung des Akkus und erhöhter Brandgefahr kommen.

Sicherheit der Elektrik und des Akkus

1. **Werfen Sie den (die) Akku(s) nicht ins Feuer.** Die Zelle könnte explodieren. Prüfen Sie die örtlichen Vorschriften für mögliche spezielle Entsorgungsanweisungen.
2. **Versuchen Sie nicht, den (die) Akku(s) zu öffnen oder zu verstümmeln.** Freigesetzter Elektrolyt ist korrosiv und kann Schäden an Augen oder Haut verursachen. Falls er verschluckt wird, kann er giftig sein.
3. **Laden Sie den Akku nicht im Regen oder an nassen Orten.**
4. **Laden Sie den Akku nicht im Freien.**
5. **Fassen Sie das Ladegerät, einschließlich des Ladegerätsteckers und der Ladegeräteanschlüsse, nicht mit nassen Händen an.**

Wartung

1. **Lassen Sie Ihr Elektrowerkzeug nur unter Verwendung identischer Ersatzteile von einem qualifizierten Wartungstechniker warten.** Dadurch wird die Aufrechterhaltung der Sicherheit des Elektrowerkzeugs gewährleistet.
2. **Beschädigte Akkus dürfen auf keinen Fall gewartet werden.** Die Wartung von Akkus darf nur vom Hersteller oder von einer Vertragswerkstatt durchgeführt werden.

DIESE ANWEISUNGEN AUFBEWAHREN.

⚠️ WARNUNG: Lassen Sie sich NICHT durch Bequemlichkeit oder Vertrautheit mit dem Produkt (durch wiederholten Gebrauch erworben) von der strikten Einhaltung der Sicherheitsregeln für das vorliegende Produkt abhalten.

MISSBRAUCH oder Missachtung der Sicherheitsvorschriften in dieser Anleitung können schwere Verletzungen verursachen.

Wichtige Sicherheitsanweisungen für Akku

1. **Lesen Sie vor der Benutzung des Akkus alle Anweisungen und Warnhinweise, die an (1) Ladegerät, (2) Akku und (3) Akkuwerkzeug angebracht sind.**
2. **Unterlassen Sie Zerlegen oder Manipulieren des Akkus.** Es kann sonst zu einem Brand, übermäßiger Hitzeentwicklung oder einer Explosion kommen.
3. **Falls die Betriebszeit beträchtlich kürzer geworden ist, stellen Sie den Betrieb sofort ein. Anderenfalls besteht die Gefahr von Überhitzung, möglichen Verbrennungen und sogar einer Explosion.**
4. **Falls Elektrolyt in Ihre Augen gelangt, waschen Sie sie mit sauberem Wasser aus, und begeben Sie sich unverzüglich in ärztliche Behandlung. Anderenfalls können Sie Ihre Sehkraft verlieren.**
5. **Der Akku darf nicht kurzgeschlossen werden:**
 - (1) **Die Kontakte dürfen nicht mit leitfähigem Material berührt werden.**
 - (2) **Lagern Sie den Akku nicht in einem Behälter zusammen mit anderen Metallgegenständen, wie z. B. Nägel, Münzen usw.**
 - (3) **Setzen Sie den Akku weder Wasser noch Regen aus.**

Ein Kurzschluss des Akkus verursacht starken Stromfluss, der Überhitzung, mögliche Verbrennungen und einen Defekt zur Folge haben kann.

6. **Lagern und benutzen Sie das Werkzeug und den Akku nicht an Orten, an denen die Temperatur 50 °C erreichen oder überschreiten kann.**
7. **Versuchen Sie niemals, den Akku zu verbrennen, selbst wenn er stark beschädigt oder vollkomme verbraucht ist. Der Akku kann im Feuer explodieren.**
8. **Unterlassen Sie Nageln, Schneiden, Zerquetschen, Werfen, Fallenlassen des Akkus oder Schlagen des Akkus mit einem harten Gegenstand.** Eine solche Handlung kann zu einem Brand, übermäßiger Hitzeentwicklung oder einer Explosion führen.
9. **Benutzen Sie keine beschädigten Akkus.**
10. **Die enthaltenen Lithium-Ionen-Akkus unterliegen den Anforderungen der Gefahrgutgesetzgebung.** Für kommerzielle Transporte, z. B. durch Dritte oder Spediteure, müssen besondere Anforderungen zu Verpackung und Etikettierung beachtet werden.

Zur Vorbereitung des zu transportierenden Artikels ist eine Beratung durch einen Experten für Gefahrgut erforderlich. Bitte beachten Sie möglicherweise ausführlichere nationale Vorschriften. Überkleben oder verdecken Sie offene Kontakte, und verpacken Sie den Akku so, dass er sich in der Verpackung nicht umher bewegen kann.

11. **Entfernen Sie den Akku zum Entsorgen vom Werkzeug, und entsorgen Sie ihn an einem sicheren Ort. Befolgen Sie die örtlichen Vorschriften bezüglich der Entsorgung von Akkus.**
12. **Verwenden Sie die Akkus nur mit den von Makita angegebenen Produkten.** Das Einsetzen der Akkus in nicht konforme Produkte kann zu einem Brand, übermäßiger Hitzebildung, einer Explosion oder Auslaufen von Elektrolyt führen.
13. **Soll das Werkzeug längere Zeit nicht benutzt werden, muss der Akku vom Werkzeug entfernt werden.**
14. **Bei und nach dem Gebrauch kann der Akku heiß werden, was Verbrennungen oder Niedertemperaturverbrennungen verursachen kann. Beachten Sie die Handhabung von heißen Akkus.**
15. **Berühren Sie nicht den Anschlusskontakt des Werkzeugs unmittelbar nach dem Gebrauch, da er heiß genug werden kann, um Verbrennungen zu verursachen.**
16. **Achten Sie darauf, dass sich keine Späne, Staub oder Schmutz in den Anschlusskontakten, Löchern und Nuten des Akkus absetzen.** Dies kann zu einer Leistungseinbuße oder Betriebsstörung des Werkzeugs oder des Akkus führen.
17. **Wenn das Werkzeug den Einsatz in der Nähe einer Hochspannungs-Stromleitung nicht unterstützt, benutzen Sie den Akku nicht in der Nähe einer Hochspannungs-Stromleitung.** Dies kann zu einer Funktionsstörung oder Betriebsstörung des Werkzeugs oder des Akkus führen.
18. **Halten Sie die Batterie von Kindern fern.**

DIESE ANWEISUNGEN AUFBEWAHREN.

⚠ VORSICHT: Verwenden Sie nur Original-Makita-Akkus. Die Verwendung von Nicht-Original-Makita-Akkus oder von Akkus, die abgeändert worden sind, kann zum Bersten des Akkus und daraus resultierenden Bränden, Personenschäden und Beschädigung führen. Außerdem wird dadurch die Makita-Garantie für das Makita-Werkzeug und -Ladegerät ungültig.

Hinweise zur Aufrechterhaltung der maximalen Akku-Nutzungsdauer

1. **Laden Sie den Akku, bevor er vollkommen erschöpft ist. Schalten Sie das Werkzeug stets aus, und laden Sie den Akku, wenn Sie ein Nachlassen der Werkzeugleistung feststellen.**

2. **Unterlassen Sie erneutes Laden eines voll aufgeladenen Akkus. Überladen führt zu einer Verkürzung der Nutzungsdauer des Akkus.**
3. **Laden Sie den Akku bei Raumtemperatur zwischen 10 – 40 °C. Lassen Sie einen heißen Akku abkühlen, bevor Sie ihn laden.**
4. **Wenn Sie den Akku nicht benutzen, nehmen Sie ihn vom Werkzeug oder Ladegerät ab.**
5. **Der Akku muss geladen werden, wenn er lange Zeit (länger als sechs Monate) nicht benutzt wird.**

MONTAGE

⚠ WARNUNG: Vergewissern Sie sich stets, dass der Sperrschlüssel abgezogen ist und die Akkus entfernt worden sind, bevor Sie irgendwelche Arbeiten am Mäher ausführen. Wird das Entfernen des Sperrschlüssels und das Abnehmen der Akkus unterlassen, kann es zu schweren Personenschäden durch versehentliches Anlaufen kommen.

⚠ WARNUNG: Starten Sie den Mäher niemals, wenn er nicht vollständig zusammengebaut ist. Der Betrieb der Maschine in teilweise zusammengebautem Zustand kann zu schweren Personenschäden durch versehentliches Anlaufen führen.

Montieren der Akkuabdeckung

⚠ WARNUNG: Warten Sie mit dem Einstecken des Sperrschlüssels und dem Einsetzen der Akkus, bis die Akkuabdeckung montiert worden ist. Andernfalls kann es zu einer schweren Verletzung kommen.

Montieren Sie die Akkuabdeckung vollständig vor dem Betrieb. Die Akkuabdeckung schützt den Mäher und die Akkus vor Schlamm, Schmutz und Wasser.

1. Bringen Sie die Akkuabdeckung so an, dass die Vorsprünge am Mäher auf die Löcher in der Akkuabdeckung ausgerichtet sind.

► **Abb.1:** 1. Vorsprung 2. Loch 3. Akkuabdeckung

2. Drücken Sie die Akkuabdeckung mit beiden Händen in der Mitte an.

► **Abb.2**

3. Vergewissern Sie sich vor der ersten Inbetriebnahme, dass der Drehpunkt der Akkuabdeckung korrekt montiert ist. Bei korrekter Montage öffnet sich die Akkuabdeckung erst, wenn der Akkuabdeckungs-Verriegelungshebel betätigt wird.

► **Abb.3:** 1. Drehpunkt

2. Akkuabdeckungs-Verriegelungshebel

Montieren des Bügelgriffs

ANMERKUNG: Positionieren Sie die Kabel beim Montieren der Griffstangen so, dass sie nicht durch irgendwelche Teile zwischen den Griffstangen erfasst werden. Falls das Kabel beschädigt wird, funktioniert der Mäherschalter eventuell nicht.

1. Schieben Sie beide Enden des unteren Bügelgriffs in die Führungsnuten des Mähers, und ziehen Sie dann die Klemmschrauben vollständig an.
► **Abb.4:** 1. Klemmschraube 2. Unterer Bügelgriff
2. Richten Sie die Schraubenbohrungen des oberen und unteren Bügelgriffs aufeinander aus. Sichern Sie die Bügelgriffe mit den Klemmschrauben und Muttern.
► **Abb.5:** 1. Knebelmutter 2. Klemmschraube

HINWEIS: Halten Sie den oberen Bügelgriff gut fest, damit er Ihnen nicht aus der Hand rutscht.

3. Bringen Sie die Halter am Bügelgriff an. Führen Sie das Netzkabel so, wie in der Abbildung gezeigt.
► **Abb.6:** 1. Halter

Entfernen des Mulchstopfens

Sonderzubehör

1. Öffnen Sie die Rückabdeckung.
► **Abb.7:** 1. Rückabdeckung
2. Halten Sie den Mulchstopfen am Handgriff, und ziehen Sie ihn dann aus der Mähereinheit heraus, wie in der Abbildung gezeigt.
► **Abb.8:** 1. Mulchstopfen 2. Handgriff

Montieren des Graskorb

1. Öffnen Sie die Rückabdeckung.
► **Abb.9:** 1. Rückabdeckung
2. Hängen Sie den Graskorb an die Stange der Mähereinheit, wie in der Abbildung gezeigt.
► **Abb.10:** 1. Aufhänger 2. Stange 3. Graskorb

Anbringen des Mulchstopfens

Sonderzubehör

1. Öffnen Sie die Rückabdeckung, und nehmen Sie dann den Graskorb ab.
► **Abb.11:** 1. Rückabdeckung 2. Graskorb
2. Halten Sie den Mulchstopfen am Handgriff, und bringen Sie ihn dann an der Mähereinheit an, wie in der Abbildung gezeigt.
► **Abb.12:** 1. Mulchstopfen 2. Handgriff

FUNKTIONSBESCHREIBUNG

Anbringen und Abnehmen des Akkus

⚠VORSICHT: Schalten Sie die Maschine stets aus, bevor Sie die Akkus anbringen oder abnehmen.

⚠VORSICHT: Verriegeln Sie unbedingt die Akkuabdeckung vor Gebrauch. Anderenfalls können Schlamm, Schmutz oder Wasser eine Beschädigung des Produkts oder der Akkus verursachen.

⚠VORSICHT: Schieben Sie die Akkus stets bis zum Anschlag ein, bis die rote Anzeige nicht mehr sichtbar ist. Anderenfalls kann er versehentlich aus der Maschine herausfallen und Sie oder umstehende Personen verletzen.

⚠VORSICHT: Unterlassen Sie Gewaltanwendung beim Anbringen der Akkus. Falls die Akkus nicht reibungslos hineingleiten, sind sie nicht richtig ausgerichtet.

HINWEIS: Die Maschine funktioniert nicht mit nur einem Akku.

Zum Einsetzen der Akkus:

1. Ziehen Sie den Akkuabdeckungs-Verriegelungshebel auf sich zu, und öffnen Sie die Akkuabdeckung.
► **Abb.13:** 1. Akkuabdeckung
2. Akkuabdeckungs-Verriegelungshebel
2. Richten Sie die Feder am Akku auf den Schlitz am Mäher aus, und schieben Sie dann den Akku hinein, bis er mit einem leisen Klicken einrastet.
► **Abb.14:** 1. Akku
3. Führen Sie den Sperrschlüssel bis zum Anschlag in den in der Abbildung gezeigten Schlitz ein.
► **Abb.15:** 1. Sperrschlüssel
4. Schließen Sie die Akkuabdeckung, und drücken Sie sie an, bis sie mit dem Verriegelungshebel einrastet.

Zum Abnehmen der Akkus vom Mäher:

1. Ziehen Sie den Akkuabdeckungs-Verriegelungshebel auf sich zu, und öffnen Sie die Akkuabdeckung.
2. Ziehen Sie die Akkus aus dem Mäher heraus, während Sie den Knopf an der Vorderseite des jeweiligen Akkus verschieben.
3. Ziehen Sie den Sperrschlüssel heraus.
4. Schließen Sie die Akkuabdeckung.

Maschinen-/Akku-Schutzsystem

Die Maschine ist mit einem Maschinen-/Akku-Schutzsystem ausgestattet. Dieses System schaltet die Stromversorgung des Motors automatisch ab, um die Lebensdauer von Werkzeug und Akku zu verlängern. Die Maschine bleibt während des Betriebs automatisch stehen, wenn die Maschine oder der Akku einer der folgenden Bedingungen unterliegt:

Überlastschutz

Wird die Maschine in einer Weise betrieben, die eine ungewöhnlich hohe Stromaufnahme bewirkt, bleibt die Maschine ohne jegliche Anzeige automatisch stehen. Schalten Sie in dieser Situation die Maschine aus, und brechen Sie die Anwendung ab, die eine Überlastung der Maschine verursacht hat. Schalten Sie dann die Maschine wieder ein, um sie neu zu starten.

Überhitzungsschutz

Wenn die Maschine überhitzt wird, bleibt sie automatisch stehen. Lassen Sie die Maschine abkühlen, bevor Sie sie wieder einschalten.

Überentladungsschutz

Wenn die Akkukapazität niedrig wird, bleibt die Maschine automatisch stehen. Falls das Produkt trotz Betätigung der Schalter nicht funktioniert, entfernen Sie die Akkus von der Maschine, und laden Sie sie auf.

Anzeigen der Akku-Restkapazität

► **Abb.16:** 1. Anzeige Akkuladestatus






















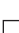
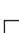







Wenn die Akku-Restkapazität niedrig wird, blinkt die Akku-Anzeige auf der Seite des betreffenden Akkus. Bei weiterer Benutzung bleibt die Maschine stehen, und die Akku-Anzeige leuchtet etwa 10 Sekunden lang auf. Laden Sie in dieser Situation den Akku auf.

Anzeigen der Akku-Restkapazität

Nur für Akkus mit Anzeige

► **Abb.17:** 1. Anzeigelampen 2. Prüftaste

Drücken Sie die Prüftaste am Akku, um die Akku-Restkapazität anzuzeigen. Die Anzeigelampen leuchten wenige Sekunden lang auf.

Anzeigelampen			Restkapazität
Erleuchtet	Aus	Blinkend	
			75% bis 100%
			
			
			
			
			
			Den Akku aufladen.
			
			Möglicherweise liegt eine Funktionsstörung im Akku vor.
			

HINWEIS: Abhängig von den Benutzungsbedingungen und der Umgebungstemperatur kann die Anzeige geringfügig von der tatsächlichen Kapazität abweichen.

Schalterfunktion

⚠️ WARNUNG: Vergewissern Sie sich vor dem Einsetzen der Akkus stets, dass der Schalthebel ordnungsgemäß funktioniert und beim Loslassen in die Ausgangsstellung zurückkehrt. Der Betrieb einer Maschine mit einem fehlerhaften Schalter kann zum Verlust der Kontrolle und zu schweren Personenschäden führen.

HINWEIS: Der Mäher startet nicht, ohne den Schaltknopf zu drücken, selbst wenn der Schalthebel betätigt wird.

HINWEIS: Der Mäher startet möglicherweise nicht aufgrund der Überlastung, wenn Sie versuchen, langes oder dichtes Gras in einem Durchgang zu mähen. Erhöhen Sie in diesem Fall die Mähhöhe.

Dieser Mäher ist mit einem Verriegelungsschalter und Griffschalter ausgestattet. Falls Sie etwas Ungewöhnliches bei einem dieser Schalter bemerken, stoppen Sie den Betrieb unverzüglich, und lassen Sie die Schalter von der nächsten autorisierten Makita-Kundendienststelle überprüfen.

1. Setzen Sie die Akkus ein. Stecken Sie den Sperrschlüssel in den Verriegelungsschalter, und schließen Sie dann die Akkuabdeckung.
► **Abb.18:** 1. Akku 2. Sperrschlüssel
2. Drücken Sie den Schaltknopf, und halten Sie ihn gedrückt.
3. Fassen Sie den oberen Bügelgriff, und betätigen Sie den Schalthebel.
► **Abb.19:** 1. Schaltknopf 2. Schalthebel
4. Lassen Sie den Schaltknopf los, sobald der Motor anläuft. Der Mäher läuft solange weiter, bis Sie den Schalthebel loslassen.
5. Lassen Sie den Schalthebel los, um den Motor zu stoppen.

Einstellen der Mähhöhe

⚠️ WARNUNG: Halten Sie niemals Ihre Hand oder Ihren Fuß unter die Mähereinheit, wenn Sie die Mähhöhe einstellen.

⚠️ WARNUNG: Vergewissern Sie sich stets, dass der Hebel einwandfrei in der Führungsnut sitzt, bevor Sie den Mäher in Betrieb nehmen.

Die Mähhöhe kann innerhalb des Bereichs zwischen 20 mm und 75 mm eingestellt werden.

1. Entfernen Sie den Sperrschlüssel.
2. Ziehen Sie den Mähhöhen-Einstellhebel zur Außenseite der Mähereinheit, und stellen Sie ihn auf die gewünschte Mähhöhe ein.
► **Abb.20:** 1. Mähhöhen-Einstellhebel

HINWEIS: Die Zahlen der Mähhöhe dienen lediglich als Orientierungshilfe. Je nach den Bedingungen des Rasens oder des Bodens kann die tatsächliche Rasenhöhe geringfügig von der eingestellten Höhe abweichen.

HINWEIS: Machen Sie einen Mähtest an einer unauffälligeren Stelle des Rasens, um die gewünschte Höhe zu erhalten.

Grasfüllstandsanzeige

► Abb.21: 1. Grasfüllstandsanzeige

Die Grasfüllstandsanzeige zeigt die Menge des gemähnten Grasses an.

- Wenn der Graskorb nicht voll ist, schwebt die Anzeige während des Mähens.
- Wenn der Graskorb voll ist, schwebt die Anzeige während des Mähens nicht. Brechen Sie in diesem Fall die Mäharbeit sofort ab, und leeren Sie den Korb. Nachdem Sie den Korb geleert haben, reinigen Sie ihn, so dass sein Maschenwerk die Luft ventiliert.

HINWEIS: Diese Anzeige ist eine grobe Orientierungshilfe. Je nach den Bedingungen im Korb funktioniert diese Anzeige u. U. nicht richtig.

Verwendung des Mulchstopfens

Sonderzubehör

Der Mulchstopfen ermöglicht es Ihnen, das abgeschnittene Gras auf den Boden zurückzuführen, ohne es im Graskorb aufzusammeln. Wenn Sie die Maschine mit dem Mulchstopfen betreiben, nehmen Sie unbedingt den Graskorb ab.

ANMERKUNG: Wenn Sie die Maschine mit dem Mulchstopfen benutzen, vergewissern Sie sich, dass die Gesamtlänge des Grasses nach dem Mähen 30 mm oder mehr, und die Schnittlänge 15 mm oder weniger beträgt.

- Abb.22: (1) 30 mm oder mehr (2) 15 mm oder weniger

BETRIEB

Mähen

⚠ WARNUNG: Bevor Sie mit dem Mähen beginnen, entfernen Sie Äste und Steine vom Mähbereich. Beseitigen Sie vorher auch jegliches Unkraut im Mähbereich.

⚠ WARNUNG: Tragen Sie bei der Benutzung des Mähers stets eine Schutzbrille mit Seitenschützern.

⚠ VORSICHT: Falls das gemähte Gras oder Fremdkörper die Innenseite der Mähereinheit blockieren, entfernen Sie unbedingt den Sperrschlüssel und die Akkus, und ziehen Sie Handschuhe an, bevor Sie das Gras oder den Fremdkörper entfernen.

ANMERKUNG: Verwenden Sie diese Maschine nur zum Mähen von Rasen. Mähen Sie kein Unkraut mit dieser Maschine.

► Abb.23

Halten Sie den Bügelgriff beim Mähen mit beiden Händen fest.

Die Richtlinie der Mähgeschwindigkeit liegt bei ungefähr 1 Meter pro 4 Sekunden.

► Abb.24

Die Außenkanten der Vorderräder sind Richtlinien für die Mähbreite. Mähen Sie in Streifen, indem Sie die Außenkanten der Vorderräder als Richtlinie verwenden. Überlappen Sie den vorhergehenden Streifen um eine Hälfte bis ein Drittel, um den Rasen gleichmäßig zu mähen.

- Abb.25: 1. Mähbreite 2. Überlappungsbereich 3. Außenkante

Wechseln Sie jedes Mal die Mährichtung, um zu verhindern, dass sich eine Grasmaserung nur in einer Richtung bildet.

► Abb.26

Überprüfen Sie die Höhe des gemähnten Grasses im Graskorb regelmäßig. Entleeren Sie den Graskorb, bevor er ganz voll wird. Stellen Sie vor jeder regelmäßigen Kontrolle den Mäher ab, und entfernen Sie Sperrschlüssel und Akkus.

ANMERKUNG: Die Benutzung des Mähers mit vollem Graskorb verhindert eine reibungslose Messerdrehung und übt eine zusätzliche Last auf den Motor aus, die zu einem Ausfall führen kann.

Mähen eines Rasens mit hohem Gras

Versuchen Sie nicht, hohes Gras in einem Durchgang zu mähen. Mähen Sie statt dessen den Rasen in mehreren Durchgängen. Lassen Sie einen oder zwei Tage zwischen den Mähdurchgängen offen, bis der Rasen gleichmäßig kurz wird.

HINWEIS: Der Versuch, langes Gras in einem Durchgang auf eine kurze Länge zu mähen, kann dazu führen, dass das Gras abstirbt. Außerdem kann das gemähte Gras die Innenseite der Mähereinheit blockieren.

Leeren des Graskorbs

⚠ WARNUNG: Um die Unfallgefahr zu reduzieren, sollten Sie den Graskorb regelmäßig auf Beschädigung oder Abschwächung überprüfen. Tauschen Sie den Graskorb nötigenfalls aus.

1. Lassen Sie den Schalthebel los.
2. Entfernen Sie den Sperrschlüssel.
3. Öffnen Sie die Rückabdeckung, und nehmen Sie den Graskorb an seinem Griff heraus.
► Abb.27: 1. Rückabdeckung 2. Griff
4. Leeren Sie den Graskorb.

WARTUNG

⚠️ WARNUNG: Vergewissern Sie sich stets, dass Sperrschlüssel und Akkus vom Mäher entfernt worden sind, bevor Sie den Mäher lagern oder tragen oder eine Inspektion oder Wartung durchführen.

⚠️ WARNUNG: Ziehen Sie stets den Sperrschlüssel ab, wenn Sie den Mäher nicht benutzen. Bewahren Sie den Sperrschlüssel an einem sicheren Ort außer Reichweite von Kindern auf.

⚠️ WARNUNG: Tragen Sie Handschuhe zur Durchführung von Inspektions- oder Wartungsarbeiten.

⚠️ WARNUNG: Tragen Sie bei der Durchführung von Inspektions- oder Wartungsarbeiten stets eine Schutzbrille mit Seitenschützern.

ANMERKUNG: Verwenden Sie auf keinen Fall Benzin, Waschbenzin, Verdünner, Alkohol oder dergleichen. Solche Mittel können Verfärbung, Verformung oder Rissbildung verursachen.

Um die SICHERHEIT und ZUVERLÄSSIGKEIT dieses Produkts zu gewährleisten, sollten Reparaturen und andere Wartungs- oder Einstellarbeiten nur von Makita-Vertragswerkstätten oder Makita-Kundendienstzentren unter ausschließlicher Verwendung von Makita-Originalersatzteilen ausgeführt werden.

Wartung

1. Entfernen Sie den Sperrschlüssel. Bewahren Sie den Schlüssel an einem sicheren Ort außer Reichweite von Kindern auf.
2. Reinigen Sie den Mäher nur mit einem nassen Tuch. Unterlassen Sie Bespritzen oder Übergießen des Mähers mit Wasser während der Reinigung.
3. Kippen Sie den Mäher auf seine Seite, und entfernen Sie Grasschnitzel, die sich auf der Unterseite des Mäherdecks angesammelt haben.
4. Überprüfen Sie alle Muttern, Bolzen, Knöpfe, Schrauben, Befestigungsteile usw. auf festen Sitz.
5. Überprüfen Sie die beweglichen Teile auf Beschädigung, Bruch und Verschleiß. Beschädigte oder fehlende Teile sind zu reparieren oder zu ersetzen.

Lagerung

⚠️ WARNUNG: Halten Sie den Mäher zum Tragen oder Lagern nicht an den zusammengeklappten Griffstangen, sondern an seinem vorderer Griff. Werden die zusammengeklappten Griffstangen gehalten, kann es zu schweren Verletzungen oder einer Beschädigung des Mähers kommen.

Nehmen Sie die Akkus ab, und ziehen Sie den Sperrschlüssel ab, bevor Sie den Mäher lagern. Lagern Sie den Mäher an einem kühlen, trockenen und abschließbaren Ort. Lagern Sie Mäher und Ladegerät nicht an Orten, an denen die Temperatur 40 °C erreichen oder überschreiten kann.

► **Abb.28:** 1. Vorderer Griff 2. Hinterer Griff

1. Lösen Sie die Klemmschrauben, und ziehen Sie den unteren Bügelgriff zu beiden Seiten auseinander. Klappen Sie den Bügelgriff nach vorn herunter. Halten Sie dabei den unteren Bügelgriff sicher fest, damit er nicht auf die abgewandte Seite der Mähereinheit herunterfällt.

► **Abb.29:** 1. Klemmschraube 2. Unterer Bügelgriff

2. Lösen Sie die Knebelmutter, und schwenken Sie den oberen Bügelgriff nach hinten, während Sie beide Seiten auseinanderziehen.

► **Abb.30:** 1. Knebelmutter 2. Oberer Bügelgriff

3. Lagern Sie den Graskorb zwischen Bügelgriff und Mähereinheit.

► **Abb.31:** 1. Graskorb

HINWEIS: Halten Sie den Mäher beim Aufrichten in die Senkrechtstellung nicht am Bügelgriff, sondern an seinem vorderer Griff.

Demontieren oder Montieren des Mähermessers

⚠️ WARNUNG: Entfernen Sie stets den Sperrschlüssel und die Akkus, bevor Sie das Messer demontieren oder montieren. Werden Sperrschlüssel und Akkus nicht entfernt, kann es zu schweren Verletzungen kommen.

⚠️ WARNUNG: Das Messer dreht sich nach dem Loslassen des Schalters noch einige Sekunden weiter. Warten Sie mit der Ausführung von Arbeiten, bis das Messer zu einem vollständigen Stillstand kommt.

⚠️ WARNUNG: Tragen Sie stets Handschuhe bei der Handhabung des Messers.

Entfernen des Mähermessers

Für DLM382

1. Kippen Sie den Mäher auf seine Seite, so dass der Mähhöhen-Einstellhebel oben liegt.
2. Um die Messerdrehung zu blockieren, stecken Sie einen Schraubendreher oder ein ähnliches Werkzeug in ein Loch an der Mähereinheit.
3. Drehen Sie die Schraube mit dem Schraubenschlüssel entgegen dem Uhrzeigersinn.
► **Abb.32:** 1. Mähermesser 2. Schraubendreher 3. Schraubenschlüssel

4. Entfernen Sie Schraube und Messer in dieser Reihenfolge.

► **Abb.33:** 1. Messerhalter 2. Mähermesser 3. Schraube

Für DLM432

1. Kippen Sie den Mäher auf seine Seite, so dass der Mähhöhen-Einstellhebel oben liegt.

2. Um die Messerdrehung zu blockieren, stecken Sie einen Schraubendreher oder ein ähnliches Werkzeug in ein Loch an der Mähereinheit.

3. Drehen Sie die Schraube mit dem Schraubenschlüssel entgegen dem Uhrzeigersinn.

► **Abb.34:** 1. Mähermesser 2. Schraubendreher
3. Schraubenschlüssel

4. Entfernen Sie Schraube, Außenflansch, Mähermesser und Innenflansch in dieser Reihenfolge.

► **Abb.35:** 1. Innenflansch 2. Mähermesser
3. Außenflansch 4. Schraube

Installieren des Mähermessers

Zum Montieren des Mähermessers wenden Sie das Demontageverfahren umgekehrt an.

⚠️ WARNUNG: Montieren Sie das Mähermesser sorgfältig. Das Messer hat eine Ober- und Unterseite. Richten Sie das Messer so aus, dass die Seite mit dem Drehrichtungspfeil außen liegt.

⚠️ WARNUNG: Ziehen Sie dann die Schraube zur Sicherung des Messers im Uhrzeigersinn fest.

⚠️ WARNUNG: Vergewissern Sie sich, dass das Mähermesser und alle Befestigungsteile korrekt montiert und sicher festgezogen sind.

⚠️ WARNUNG: Befolgen Sie beim Auswechseln der Messer stets die Anweisungen in dieser Anleitung.

FEHLERSUCHE

Bevor Sie den Reparatordienst anrufen, führen Sie zunächst Ihre eigene Inspektion durch. Falls Sie ein Problem finden, das nicht in der Anleitung erläutert wird, versuchen Sie nicht, das Werkzeug zu zerlegen. Wenden Sie sich stattdessen an autorisierte Makita-Kundendienstzentren, und achten Sie darauf, dass stets Makita-Ersatzteile für Reparaturen verwendet werden.

Zustand der Unregelmäßigkeit	Wahrscheinliche Ursache (Funktionsstörung)	Abhilfemaßnahme
Der Mäher startet nicht.	Es sind nicht beide Akkus eingesetzt.	Setzen Sie die geladenen Akkus ein.
	Akkustörung (Unterspannung)	Laden Sie die Akkus auf. Falls Laden nichts nützt, tauschen Sie die Akkus aus.
	Der Sperrschlüssel ist nicht eingesteckt.	Stecken Sie den Sperrschlüssel ein.
Der Motor bleibt nach kurzer Zeit stehen.	Der Ladestand der Akkus ist niedrig.	Laden Sie die Akkus auf. Falls Laden nichts nützt, tauschen Sie die Akkus aus.
	Die Schnitthöhe ist zu niedrig.	Vergrößern Sie die Schnitthöhe.
Der Motor erreicht die Maximaldrehzahl nicht.	Die Akkus sind falsch eingesetzt.	Setzen Sie die Akkus gemäß der Beschreibung in dieser Anleitung ein.
	Die Akkuleistung lässt nach.	Laden Sie die Akkus auf. Falls Laden nichts nützt, tauschen Sie die Akkus aus.
	Das Antriebssystem funktioniert nicht korrekt.	Wenden Sie sich bezüglich einer Reparatur an Ihr autorisiertes Kundendienstzentrum.
Das Mähermesser dreht sich nicht: ⇒ Stoppen Sie den Mäher unverzüglich!	Ein Fremdkörper, wie z. B. ein Ast, hat sich in der Nähe des Messers verklemmt.	Entfernen Sie den Fremdkörper.
	Das Antriebssystem funktioniert nicht korrekt.	Wenden Sie sich bezüglich einer Reparatur an Ihr autorisiertes Kundendienstzentrum.
Ungewöhnliche Vibration: ⇒ Stoppen Sie den Mäher unverzüglich!	Das Messer ist unausgeglichen, übermäßig oder ungleichmäßig abgenutzt.	Tauschen Sie das Messer aus.

SONDERZUBEHÖR

⚠ VORSICHT: Die folgenden Zubehörteile oder Vorrichtungen werden für den Einsatz mit dem in dieser Anleitung beschriebenen Makita-Werkzeug empfohlen. Die Verwendung anderer Zubehörteile oder Vorrichtungen kann eine Verletzungsgefahr darstellen. Verwenden Sie Zubehörteile oder Vorrichtungen nur für ihren vorgesehenen Zweck.

Wenn Sie weitere Einzelheiten bezüglich dieser Zubehörteile benötigen, wenden Sie sich bitte an Ihre Makita-Kundendienststelle.

- Mähermesser
- Mulchstopfen
- Original-Makita-Akku und -Ladegerät

HINWEIS: Manche Teile in der Liste können als Standardzubehör im Werkzeugsatz enthalten sein. Sie können von Land zu Land unterschiedlich sein.

DATI TECNICI

Modello:	DLM382	DLM432	
Larghezza di taglio (diametro lama)	380 mm	430 mm	
Velocità a vuoto	3.700 min ⁻¹	3.600 min ⁻¹	
Numero parte della lama di sostituzione per tosaerba	191D41-2	191D43-8	
Dimensioni (L x P x A)	durante il funzionamento	L: da 1.380 mm a 1.410 mm P: 450 mm A: da 985 mm a 1.005 mm	L: Da 1.435 mm a 1.490 mm P: 460 mm A: Da 1.005 mm a 1.045 mm
	quando è riposto (senza cestello erba)	860 mm x 450 mm x 475 mm	865 mm x 460 mm x 475 mm
Tensione nominale	36 V C.C.		
Peso netto	15,0 - 16,5 kg	15,4 - 17,1 kg	

- A causa del nostro programma continuativo di ricerca e sviluppo, i dati tecnici sono soggetti a modifiche senza preavviso.
- I dati tecnici possono variare da nazione a nazione.
- Il peso può variare a seconda dell'accessorio o degli accessori, inclusa la cartuccia della batteria. La combinazione più leggera e quella più pesante, secondo la procedura EPTA 01/2014, sono indicate nella tabella.

Cartuccia della batteria e caricabatterie applicabili

Cartuccia della batteria	BL1815N / BL1820 / BL1820B / BL1830 / BL1830B / BL1840 / BL1840B / BL1850 / BL1850B / BL1860B
Caricabatterie	DC18RC / DC18RD / DC18RE / DC18SD / DC18SE / DC18SF / DC18SH






- Alcune cartucce delle batterie e alcuni caricabatterie elencati sopra potrebbero non essere disponibili a seconda della propria area geografica di residenza.

⚠AVVERTIMENTO: Utilizzare solo le cartucce delle batterie e i caricabatterie elencati sopra. L'utilizzo di altre cartucce delle batterie e di altri caricabatterie potrebbe causare lesioni personali e/o un incendio.

⚠AVVERTIMENTO: Non utilizzare un alimentatore con cavo, ad esempio un adattatore per batterie o un gruppo di alimentazione portatile, insieme a questa macchina. Il cavo di alimentatori di questo tipo potrebbe interferire con il funzionamento e risultare in lesioni personali.

Simboli

Le figure seguenti mostrano i simboli utilizzati per l'apparecchio. Accertarsi di comprenderne il significato prima dell'uso.

	Adottare cura e attenzione particolari.
	Leggere il manuale d'uso.
	Pericolo; fare attenzione agli oggetti scagliati.
	La distanza tra l'utensile e gli astanti deve essere di almeno 15 m.
	Non posizionare mai mani e piedi in prossimità della lama sotto il tosaerba. Le lame continuano a girare dopo lo spegnimento del motore.



Rimuovere la chiave di blocco prima di ispezionare, regolare, pulire, sottoporre a manutenzione, lasciare e riporre il tosaerba.



Solo per le nazioni dell'EU
Non smaltire apparecchiature elettriche o batterie insieme ai rifiuti domestici!
In osservanza delle Direttive Europee sui rifiuti di apparecchiature elettriche ed elettroniche (RAEE), sulle batterie e gli accumulatori, nonché sulle batterie e gli accumulatori esausti, e dell'implementazione di tali direttive in conformità alle leggi locali, gli apparecchi elettrici e la/lle batteria/e che hanno raggiunto la fine della loro vita utile devono essere raccolti separatamente e conferiti a una struttura di smaltimento ecocompatibile.

Utilizzo previsto

La macchina è destinata alla tosatura di prati.

Rumore

Livello tipico di rumore pesato A determinato in base allo standard EN60335-2-77:

Modello DLM382

Livello di pressione sonora (L_{pA}): 81 dB (A)

Livello di potenza sonora (L_{WA}): 91 dB (A)

Incertezza (K): 3 dB (A)

Modello DLM432

Livello di pressione sonora (L_{pA}): 81 dB (A)

Livello di potenza sonora (L_{WA}): 92 dB (A)

Incertezza (K): 3 dB (A)

NOTA: Il valore o i valori dichiarati delle emissioni di rumori sono stati misurati in conformità a un metodo standard di verifica, e possono essere utilizzati per confrontare un utensile con un altro.

NOTA: Il valore o i valori dichiarati delle emissioni di rumori possono venire utilizzati anche per una valutazione preliminare dell'esposizione.

⚠AVVERTIMENTO: Indossare protezioni per le orecchie.

⚠AVVERTIMENTO: L'emissione di rumori durante l'utilizzo effettivo dell'utensile elettrico può variare rispetto al valore o ai valori dichiarati, a seconda dei modi in cui viene utilizzato l'utensile e specialmente a seconda di che tipo di pezzo venga lavorato.

⚠AVVERTIMENTO: Accertarsi di identificare misure di sicurezza per la protezione dell'operatore che siano basate su una stima dell'esposizione nelle condizioni effettive di utilizzo (tenendo conto di tutte le parti del ciclo operativo, ad esempio del numero di spegnimenti dell'utensile e di quando giri a vuoto, oltre al tempo di attivazione).

Vibrazioni

Valore totale delle vibrazioni (somma vettoriale triassiale) determinato in base allo standard EN60335-2-77:

Modello DLM382

Emissione di vibrazioni (a_h): 2,5 m/s² o inferiore

Incertezza (K): 2,0 m/s²

Modello DLM432

Emissione di vibrazioni (a_h): 2,5 m/s² o inferiore

Incertezza (K): 1,5 m/s²

NOTA: Il valore o i valori complessivi delle vibrazioni dichiarati sono stati misurati in conformità a un metodo standard di verifica, e possono essere utilizzati per confrontare un utensile con un altro.

NOTA: Il valore o i valori complessivi delle vibrazioni dichiarati possono venire utilizzati anche per una valutazione preliminare dell'esposizione.

⚠AVVERTIMENTO: L'emissione delle vibrazioni durante l'utilizzo effettivo dell'utensile elettrico può variare rispetto al valore o ai valori dichiarati, a seconda dei modi in cui viene utilizzato l'utensile, specialmente a seconda di che tipo di pezzo venga lavorato.

⚠AVVERTIMENTO: Accertarsi di identificare misure di sicurezza per la protezione dell'operatore che siano basate su una stima dell'esposizione nelle condizioni effettive di utilizzo (tenendo conto di tutte le parti del ciclo operativo, ad esempio del numero di spegnimenti dell'utensile e di quando giri a vuoto, oltre al tempo di attivazione).

Dichiarazione di conformità CE

Solo per i paesi europei

La dichiarazione di conformità CE è inclusa nell'Allegato A al presente manuale di istruzioni.

AVVERTENZE DI SICUREZZA

ISTRUZIONI DI SICUREZZA IMPORTANTI

⚠AVVERTIMENTO: Leggere tutte le avvertenze relative alla sicurezza e tutte le istruzioni. La mancata osservanza delle avvertenze e delle istruzioni può risultare in scosse elettriche, incendi e/o gravi lesioni personali.

Conservare tutte le avvertenze e le istruzioni come riferimento futuro.

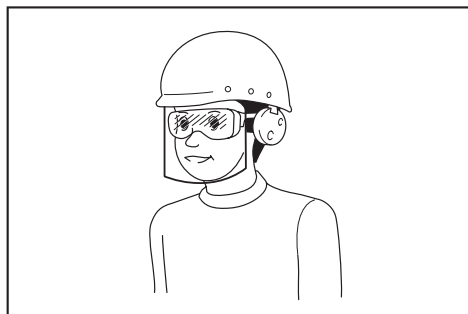
Addestramento

1. Leggere con attenzione le istruzioni. Familiarizzare con i controlli e con l'utilizzo corretto del tosaerba.
2. Non consentire mai l'uso del tosaerba a bambini o persone che non abbiano familiarità con le presenti istruzioni. Le normative locali vigenti potrebbero limitare l'età dell'operatore.
3. Non far funzionare mai il tosaerba in presenza di persone, specialmente bambini, o di animali nelle vicinanze.
4. Tenere presente che l'operatore o l'utilizzatore è responsabile degli incidenti o dei pericoli che possono capitare ad altre persone o alle loro proprietà.
5. I bambini devono essere sorvegliati, per accertarsi che non giochino con il tosaerba.
6. Condizione fisica - Non utilizzare il tosaerba sotto l'effetto di droghe, alcolici o di qualsiasi farmaco.

Preparazione

1. Durante il funzionamento del tosaerba, indossare sempre calzature robuste e pantaloni lunghi. Non far funzionare il tosaerba a piedi nudi o indossando sandali aperti. Evitare di indossare indumenti o gioielli non aderenti o che includano cordoni o legacci pendenti. Potrebbero restare impigliati nelle parti mobili.
2. Prima dell'uso, ispezionare sempre visivamente il tosaerba alla ricerca di eventuali protezioni o barriere danneggiate, mancanti o smarrite.
3. Prima di tagliare l'erba, accertarsi che non vi siano altre persone nell'area di lavoro. Qualora qualcuno entri nell'area di lavoro, arrestare il tosaerba.
4. Non inserire la chiave di blocco nel tosaerba fino al momento in cui quest'ultimo è pronto per l'uso.

5. Indossare sempre occhiali protettivi per proteggere gli occhi da lesioni personali, quando si utilizzano utensili elettrici. Gli occhiali devono essere conformi allo standard ANSI Z87.1 negli Stati Uniti, allo standard EN 166 in Europa o allo standard AS/NZS 1336 in Australia/Nuova Zelanda. In Australia/Nuova Zelanda, è obbligatorio per legge indossare anche una visiera per proteggere il volto.



È responsabilità del datore di lavoro far rispettare l'utilizzo delle attrezzature protettive di sicurezza appropriate da parte degli operatori degli utensili e di altre persone nell'area di lavoro e nelle immediate vicinanze.

6. Prima dell'uso, controllare con cura che le lame o i bulloni delle lame non presentino spaccature o altri danni. Sostituire immediatamente lame o bulloni delle lame spaccati o danneggiati.
7. Prima di tagliare l'erba, rimuovere oggetti estranei quali sassi, cavi, bottiglie, ossi e grossi stecchi dall'area di lavoro, per evitare lesioni personali o danni al tosaerba.
8. Gli oggetti colpiti dalla lama del tosaerba possono causare gravi lesioni alle persone. Il prato va sempre esaminato attentamente e ripulito da tutti gli oggetti, prima di ciascun taglio.
9. Fare attenzione a buche, solchi, cunette, pietre o altri oggetti nascosti. Un terreno irregolare potrebbe causare un incidente dovuto a scivolamento e caduta. L'erba alta può nascondere ostacoli.

Funzionamento

1. Non allungarsi eccessivamente. Mantenere sempre l'equilibrio. Accertarsi sempre di mantenere i piedi appoggiati saldamente sui pendii. Camminare, non correre mai.
2. Spegner il tosaerba e rimuovere la chiave di blocco, quindi accertarsi che tutte le parti mobili si siano arrestate completamente:
 - ogni volta che si lascia il tosaerba,
 - prima di rimuovere le occlusioni o di disostruire lo scivolo,
 - prima di controllare, pulire o lavorare sul tosaerba,
 - dopo che il tosaerba ha colpito un oggetto estraneo. Ispezionare il tosaerba alla ricerca di danni ed effettuare le riparazioni prima di riavviarlo e di farlo funzionare,
 - ogni volta che il tosaerba inizia a vibrare in modo anomalo.

3. Non utilizzare mai il tosaerba con protezioni o barriere difettose, oppure senza aver montato i dispositivi di sicurezza, ad esempio i deflettori e/o il cestello erba.
4. Evitare di utilizzare il tosaerba in condizioni meteorologiche avverse, specialmente quando sussiste il rischio di fulmini.
5. Indossare sempre protezioni per gli occhi e scarpe resistenti mentre si utilizza il tosaerba.
6. Far funzionare il tosaerba esclusivamente di giorno o con una buona illuminazione artificiale.
7. Accendere con attenzione il tosaerba seguendo le istruzioni e con i piedi ben lontani dalle lame.
8. Fare attenzione a prevenire lesioni personali a mani e piedi causate dalle lame del tosaerba.
9. Accertarsi sempre di mantenere le aperture di ventilazione libere da detriti.
10. Tagliare l'erba di traverso lungo la faccia dei pendii, mai procedendo su e giù. Fare la massima attenzione quando si cambia direzione sui pendii. Non tagliare l'erba su pendii eccessivamente ripidi.
11. Adottare estrema cautela quando si inverte il movimento o si tira il tosaerba verso di sé.
12. Arrestare le lame, qualora sia necessario inclinare il tosaerba per il trasporto quando si intende attraversare superfici non erbose, nonché quando lo si trasporta sul luogo di utilizzo e lo si porta via da quest'ultimo.
13. Non inclinare il tosaerba quando si accende il motore, tranne quando è necessario inclinarlo per avviarlo. In questo caso, non inclinarlo più di quanto sia assolutamente necessario, e sollevare solo la parte lontana dall'operatore. Accertarsi sempre che entrambe le mani siano nella posizione d'uso, prima di riportare il tosaerba al suolo.
14. Non mettere le mani o i piedi in prossimità delle parti in rotazione o sotto queste ultime. Restare sempre a distanza dall'apertura di scarico.
15. Non trasportare il tosaerba mentre è acceso.
16. Evitare di far funzionare il tosaerba sull'erba bagnata.
17. Non utilizzare mai il tosaerba sotto la pioggia.
18. Mantenere sempre una salda presa sul manubrio.
19. Quando si intende sollevare o mantenere il tosaerba, non afferrare mai le lame o i bordi taglienti esposti.
20. Tenere mani e piedi lontani dalle lame in rotazione. Attenzione: le lame continuano a girare per inerzia, dopo lo spegnimento del tosaerba.
21. Arrestare immediatamente l'uso qualora si noti qualcosa di anomalo. Spegner il tosaerba e rimuovere la chiave di blocco. Quindi, ispezionare il tosaerba.
22. Qualora il tosaerba disponga della funzione di regolazione dell'altezza di taglio, non tentare mai di effettuare regolazioni dell'altezza di taglio mentre il tosaerba è in funzione.

23. Rilasciare la leva interruttore e attendere l'arresto della rotazione della lama prima di attraversare vialletti d'accesso, marciapiedi, strade e qualsiasi terreno coperto di ghiaia. Rimuovere la chiave di blocco anche se si intende lasciare il tosaerba, sporgersi per sollevare o rimuovere qualcosa dal suo percorso, o per qualsiasi altro motivo che potrebbe distrarre l'operatore da ciò che si sta facendo.
24. Qualora il tosaerba colpisca un oggetto estraneo, attenersi alla procedura seguente:
 - Arrestare il tosaerba, rilasciare la leva interruttore e attendere che la lama si arresti completamente.
 - Rimuovere la chiave di blocco e la cartuccia della batteria.
 - Ispezionare attentamente il tosaerba alla ricerca di eventuali danni.
 - Sostituire la lama, qualora presenti un qualsiasi danno. Riparare eventuali danni prima di riavviare e continuare a utilizzare il tosaerba.
25. Non avviare il tosaerba mentre si sta in piedi davanti all'apertura di scarico.
26. Qualora il tosaerba inizi a vibrare in modo anomalo (controllare immediatamente)
 - ispezionarlo alla ricerca di eventuali danni,
 - sostituire o riparare eventuali parti danneggiate,
 - controllare e serrare eventuali parti allentate.
27. Non rivolgere mai il materiale che viene scaricato verso alcuna persona. Evitare di scaricare il materiale contro pareti oppure ostacoli. Il materiale potrebbe rimbalzare verso l'operatore. Arrestare la lama quando si intende attraversare superfici di ghiaia.
28. **Non tirare il tosaerba all'indietro, se non assolutamente necessario.** Quando si è costretti a far arretrare il tosaerba da una recinzione o un altro ostacolo simile, guardare in basso e all'indietro, prima e durante il movimento all'indietro.
29. **Spegner il motore e attendere che la lama si sia arrestata completamente, prima di rimuovere il raccogliore erba.** Fare attenzione: le lame continuano a muoversi per inerzia, dopo lo spegnimento.
8. Non lavare il tosaerba con un tubo flessibile. Evitare di bagnare il motore e i collegamenti elettrici.
9. Controllare a intervalli frequenti che il bullone di montaggio della lama sia serrato correttamente.
10. Lasciare sempre raffreddare il tosaerba prima di riporlo.
11. Prima di un intervento sulle lame, tenere presente che, anche se la fonte di alimentazione è disattivata, le lame possono venire comunque spostate.
12. **Non rimuovere né manomettere i dispositivi di sicurezza. Controllare a intervalli regolari che funzionino correttamente. Non fare alcunché per interferire con la funzione designata di un dispositivo di sicurezza o per ridurre la protezione fornita da un dispositivo di sicurezza.**

Uso e manutenzione degli strumenti a batterie

1. **Ricaricare solo con il caricabatterie specificato dal produttore.** Un caricabatterie appropriato per un tipo di batteria potrebbe creare un rischio di incendio, se utilizzato con un'altra batteria.
2. **Utilizzare gli utensili elettrici solo con le batterie specificamente designate.** L'uso di qualsiasi altra batteria potrebbe creare un rischio di lesioni personali e incendi.
3. **Quando la batteria non è in uso, tenerla lontana da altri oggetti metallici, quali graffette, monete, chiavi, chiodi, viti o altri piccoli oggetti metallici, che potrebbero fare contatto tra terminali diversi.** Il cortocircuito dei terminali della batteria può causare ustioni o incendi.
4. **In condizioni di uso improprio, la batteria potrebbe emettere un liquido: evitare il contatto con tale liquido. Qualora si verifichi un contatto accidentale con il liquido, lavare abbondantemente con acqua. Qualora il liquido entri in contatto con gli occhi, richiedere anche assistenza medica.** Il liquido espulso dalla batteria può causare irritazioni o ustioni.
5. **Non utilizzare una batteria o un utensile che siano danneggiati o che siano stati modificati.** Batterie danneggiate o modificate potrebbero mostrare un comportamento imprevedibile che può risultare in incendi, esplosioni o nel rischio di lesioni personali.
6. **Non esporre una batteria o un utensile al fuoco o a temperature eccessive.** L'esposizione al fuoco o a temperature superiori ai 130 °C potrebbe causare un'esplosione.
7. **Attenersi a tutte le istruzioni relative alla carica e non caricare la batteria o l'utensile al di fuori della gamma di temperature specificata nelle istruzioni.** Una carica inappropriata o a temperature al di fuori della gamma specificata potrebbe danneggiare la batteria e incrementare il rischio di incendio.

Manutenzione e conservazione

1. **Per la massima sicurezza, sostituire le parti usurate o danneggiate. Utilizzare esclusivamente pezzi di ricambio e accessori originali.**
2. **Ispezionare ed eseguire la manutenzione del tosaerba a intervalli regolari.**
3. **Conservare il tosaerba fuori dalla portata dei bambini, quando non è in uso.**
4. **Mantenere serrati tutti i bulloni, i dadi e le viti, per assicurare che l'apparecchio sia in condizioni di lavoro sicure.**
5. **Controllare spesso se il cestello erba presenti segni di usura o di deterioramento. Prima di riporre il cestello erba, accertarsi sempre che sia vuoto. Per garantire la sicurezza, sostituire un cestello erba usurato con un nuovo ricambio di fabbrica.**
6. **Utilizzare esclusivamente le lame originali del produttore specificate nel presente manuale.**
7. **Fare attenzione durante la regolazione del tosaerba, in modo da evitare che le dita restino incastrate tra le lame in movimento e le parti fisse del tosaerba.**

Sicurezza elettrica e della batteria

1. **Non smaltire le batterie nel fuoco.** La cella potrebbe esplodere. Controllare le normative locali per eventuali istruzioni speciali relative allo smaltimento.
2. **Non aprire né fare a pezzi le batterie.** L'elettrolita rilasciato è corrosivo, e potrebbe causare danni agli occhi o alla pelle. Inoltre, potrebbe essere tossico, se inghiottito.

3. Non caricare la batteria sotto la pioggia o in condizioni di bagnato.
4. Non caricare la batteria all'aperto.
5. Non maneggiare con le mani bagnate il carica-batterie, inclusa la spina del caricabatterie e i terminali di quest'ultimo.
6. Non conservare e utilizzare l'utensile e la cartuccia della batteria in ubicazioni in cui la temperatura possa raggiungere o superare i 50°C.
7. Non incenerire la cartuccia della batteria anche qualora sia gravemente danneggiata o completamente esaurita. La cartuccia della batteria può esplodere se a contatto con il fuoco.

Assistenza tecnica

1. Per l'assistenza tecnica relativa all'utensile elettrico, rivolgersi a un riparatore qualificato che utilizzi solo pezzi di ricambio identici. In tal modo, si garantisce che la sicurezza dell'utensile elettrico venga preservata.
2. Non effettuare mai interventi di assistenza su batterie danneggiate. Gli interventi di assistenza relativi alle batterie vanno effettuati esclusivamente dal produttore o da centri di assistenza autorizzati.

CONSERVARE LE PRESENTI ISTRUZIONI.

⚠AVVERTIMENTO: NON lasciare che la comodità o la familiarità d'uso con il prodotto (acquisita con l'uso ripetuto) sostituiscano la stretta osservanza delle norme di sicurezza.

L'USO IMPROPRIO o la mancata osservanza delle norme di sicurezza riportate nel presente manuale di istruzioni potrebbero causare lesioni personali gravi.

Istruzioni di sicurezza importanti per la cartuccia della batteria

1. Prima di utilizzare la cartuccia della batteria, leggere tutte le istruzioni e le avvertenze riportate (1) sul caricabatteria, (2) sulla batteria e (3) sul prodotto che utilizza la batteria.
2. Non smantellare né manomettere la cartuccia della batteria. In caso contrario, si potrebbe causare un incendio, calore eccessivo o un'esplosione.
3. Qualora il tempo di utilizzo si riduca eccessivamente, interrompere immediatamente l'utilizzo dell'utensile. In caso contrario, si può incorrere nel rischio di surriscaldamento, possibili ustioni e persino un'esplosione.
4. Qualora l'elettrolita entri in contatto con gli occhi, sciacquarli con acqua pulita e richiedere immediatamente assistenza medica. Questa eventualità può risultare nella perdita della vista.
5. Non cortocircuitare la cartuccia della batteria:
 - (1) Non toccare i terminali con alcun materiale conduttivo.
 - (2) Evitare di conservare la cartuccia della batteria in un contenitore insieme ad altri oggetti metallici quali chiodi, monete, e così via.
 - (3) Non esporre la cartuccia della batteria all'acqua o alla pioggia.
 Un cortocircuito della batteria può causare un grande flusso di corrente, un surriscaldamento, possibili ustioni e persino un guasto.
6. Non conservare e utilizzare l'utensile e la cartuccia della batteria in ubicazioni in cui la temperatura possa raggiungere o superare i 50°C.
7. Non incenerire la cartuccia della batteria anche qualora sia gravemente danneggiata o completamente esaurita. La cartuccia della batteria può esplodere se a contatto con il fuoco.
8. Non inchiodare, tagliare, schiacciare, lanciare o far cadere la cartuccia della batteria, né farla urtare con forza contro un oggetto duro. Questi comportamenti potrebbero risultare in un incendio, calore eccessivo o un'esplosione.
9. Non utilizzare una batteria danneggiata.
10. Le batterie a ioni di litio contenute sono soggette ai requisiti del regolamento sul trasporto di merci pericolose (Dangerous Goods Legislation).
Per trasporti commerciali, ad esempio da parte di terzi o spedizionieri, è necessario osservare dei requisiti speciali sull'imballaggio e sull'etichetta. Per la preparazione dell'articolo da spedire, è richiesta la consulenza di un esperto in materiali pericolosi. Attenersi anche alle normative nazionali, che potrebbero essere più dettagliate. Nastrare o coprire i contatti aperti e imballare la batteria in modo tale che non si possa muovere liberamente all'interno dell'imballaggio.
11. Quando si intende smaltire la cartuccia della batteria, rimuoverla dall'utensile e smaltirla in un luogo sicuro. Attenersi alle normative locali relative allo smaltimento della batteria.
12. Utilizzare le batterie esclusivamente con i prodotti specificati da Makita. L'installazione delle batterie in prodotti non compatibili potrebbe risultare in incendi, calore eccessivo, esplosioni o perdite di liquido elettrolitico.
13. Se l'utensile non viene utilizzato per un periodo di tempo prolungato, la batteria deve essere rimossa dall'utensile.
14. Durante e dopo l'uso, la cartuccia della batteria potrebbe assorbire calore, che può causare ustioni o ustioni a bassa temperatura. Fare attenzione a come si maneggiano le cartucce delle batterie estremamente calde.
15. Non toccare i terminali dell'utensile subito dopo l'uso, in quanto potrebbero diventare estremamente caldi al punto da causare ustioni.
16. Evitare di far incastrare schegge, polveri o terreno nei terminali, nei fori e nelle scanalature della cartuccia della batteria. In caso contrario, si potrebbero causare prestazioni scadenti o la rottura dell'utensile o della cartuccia della batteria.
17. A meno che l'utensile supporti l'uso in prossimità di linee elettriche ad alta tensione, non utilizzare la cartuccia della batteria in prossimità di linee elettriche ad alta tensione. In caso contrario, si potrebbe causare un malfunzionamento o la rottura dell'utensile o della cartuccia della batteria.
18. Tenere la batteria lontana dai bambini.

CONSERVARE LE PRESENTI ISTRUZIONI.

⚠ATTENZIONE: Utilizzare solo batterie originali Makita. L'utilizzo di batterie Makita non originali, o di batterie che siano state alterate, potrebbe risultare nello scoppio della batteria, causando incendi, lesioni personali e danni. Inoltre, ciò potrebbe invalidare la garanzia Makita per l'utensile e il caricabatterie Makita.

Suggerimenti per preservare la durata massima della batteria

1. Caricare la cartuccia della batteria prima che si scarichi completamente. Smettere sempre di utilizzare l'utensile e caricare la cartuccia della batteria quando si nota che la potenza dell'utensile è diminuita.
2. Non ricaricare mai una cartuccia della batteria completamente carica. La sovraccarica riduce la vita utile della batteria.
3. Caricare la cartuccia della batteria a una temperatura ambiente compresa tra 10°C e 40°C. Lasciar raffreddare una cartuccia della batteria prima di caricarla.
4. Quando non si utilizza la cartuccia della batteria, rimuoverla dall'utensile o dal caricabatterie.
5. Caricare la cartuccia della batteria se non la si è utilizzata per un periodo di tempo prolungato (più di sei mesi).

MONTAGGIO

⚠AVVERTIMENTO: Accertarsi sempre che la chiave di blocco e la cartuccia della batteria siano state rimosse prima di eseguire qualsiasi intervento sul tosaerba. La mancata rimozione della chiave di blocco e della cartuccia della batteria potrebbe risultare in gravi lesioni personali dovute all'avvio accidentale.

⚠AVVERTIMENTO: Non avviare mai il tosaerba se non è stato completamente montato. L'uso della macchina in uno stato di montaggio parziale potrebbe risultare in gravi lesioni personali dovute all'avvio accidentale.

Installazione del coperchio batterie

⚠AVVERTIMENTO: Non inserire la chiave di blocco e la cartuccia della batteria prima di installare il coperchio batterie. In caso contrario, si potrebbero causare gravi lesioni personali.

Installare completamente il coperchio batterie prima dell'uso. Il coperchio batterie protegge il tosaerba e la cartuccia della batteria da fango, sporco e acqua.

1. Sistemare il coperchio batterie sul tosaerba allineando le sporgenze di quest'ultimo con i fori sul coperchio batterie.
▶ Fig.1: 1. Sporgenza 2. Foro 3. Coperchio batterie
2. Posizionare le mani al centro del coperchio batterie e premerlo.
▶ Fig.2

3. Prima del primo utilizzo, verificare che il punto di perno del coperchio batterie sia agganciato correttamente. Se il coperchio batterie è installato correttamente, non si apre fino a quando si tira la leva di blocco del coperchio batterie.

▶ Fig.3: 1. Punto di perno 2. Leva di blocco del coperchio batterie

Installazione del manubrio

AVVISO: Quando si installano i manubri, posizionare i cavi in modo che non restino impigliati in alcunché tra i manubri. Qualora il cavo sia danneggiato, l'interruttore del tosaerba potrebbe non funzionare.

1. Far scivolare entrambe le estremità del manubrio inferiore nelle scanalature del tosaerba, quindi serrare completamente le viti di fissaggio.
▶ Fig.4: 1. Vite di fissaggio 2. Manubrio inferiore
2. Allineare i fori per le viti del manubrio superiore e del manubrio inferiore. Fissarli con le viti e i dadi di fissaggio.

▶ Fig.5: 1. Dado di fissaggio 2. Vite di fissaggio

NOTA: Tenere saldamente il manubrio superiore in modo da non farlo cadere dalla mano.

3. Montare i fermacavi sul manubrio. Posizionare il cavo di alimentazione come indicato nella figura.

▶ Fig.6: 1. Fermacavo

Rimozione dell'adattatore per pacciamatura

Accessorio opzionale

1. Aprire lo sportellino posteriore.
▶ Fig.7: 1. Sportellino posteriore
2. Afferrare l'adattatore per pacciamatura per il manico, quindi tirarlo fuori dal corpo del tosaerba, come indicato nella figura.

▶ Fig.8: 1. Adattatore per pacciamatura 2. Manico

Installazione del cestello erba

1. Aprire lo sportellino posteriore.
▶ Fig.9: 1. Sportellino posteriore
2. Agganciare il cestello erba alla barra del corpo del tosaerba, come indicato nella figura.

▶ Fig.10: 1. Gancio 2. Barra 3. Cestello erba

Montaggio dell'adattatore per pacciamatura

Accessorio opzionale

1. Aprire lo sportellino posteriore, quindi rimuovere il cestello erba.
▶ Fig.11: 1. Sportellino posteriore 2. Cestello erba
2. Afferrare l'adattatore per pacciamatura per il manico, quindi montarlo sul corpo del tosaerba, come indicato nella figura.

▶ Fig.12: 1. Adattatore per pacciamatura 2. Manico

DESCRIZIONE DELLE FUNZIONI

Installazione o rimozione della cartuccia della batteria

⚠ATTENZIONE: Spegnerne sempre la macchina prima di installare o rimuovere la cartuccia della batteria.

⚠ATTENZIONE: Prima dell'uso, accertarsi di aver bloccato il coperchio batterie. In caso contrario, fango, sporco o acqua potrebbero danneggiare il prodotto o la cartuccia della batteria.

⚠ATTENZIONE: Installare sempre fino in fondo la cartuccia della batteria, fino a quando l'indicatore rosso non è più visibile. In caso contrario, la batteria potrebbe cadere accidentalmente fuori dalla macchina, causando lesioni personali all'operatore o alle persone circostanti.

⚠ATTENZIONE: Non installare forzatamente la cartuccia della batteria. Qualora la batteria non si inserisca scorrendo agevolmente, vuol dire che non viene inserita correttamente.

NOTA: La macchina non funziona con una sola cartuccia della batteria.

Per installare la cartuccia della batteria:

1. Far scorrere la leva di blocco del coperchio batterie, quindi aprire il coperchio batterie.

► **Fig.13:** 1. Coperchio batterie 2. Leva di blocco del coperchio batterie

2. Allineare la lingua sulla cartuccia della batteria con l'alloggiamento sul tosaerba, quindi far scorrere la cartuccia fino a quando si innesta in sede con un piccolo scatto.

► **Fig.14:** 1. Cartuccia della batteria

3. Inserire la chiave di blocco per tutta la sua lunghezza nella sede mostrata nella figura.

► **Fig.15:** 1. Chiave di blocco

4. Chiudere il coperchio batterie e premerlo fino a quando viene agganciato dalla leva di blocco.

Per rimuovere la cartuccia della batteria dal tosaerba:

1. Far scorrere la leva di blocco del coperchio batterie, quindi aprire il coperchio batterie.

2. Estrarre la cartuccia della batteria dal tosaerba facendo scorrere allo stesso tempo il pulsante sulla parte anteriore della cartuccia.

3. Estrarre la chiave di blocco.

4. Chiudere il coperchio batterie.

Sistema di protezione della macchina e della batteria

La macchina è dotata di un sistema di protezione della macchina stessa e della batteria. Questo sistema interrompe automaticamente l'alimentazione al motore per prolungare la vita utile dell'utensile e della batteria. La macchina si arresta automaticamente durante il funzionamento, qualora la macchina o la batteria vengano a trovarsi in una delle condizioni seguenti.

Protezione dal sovraccarico

Quando si utilizza la macchina in un modo tale da causarne un assorbimento di corrente elevato in modo anomalo, la macchina si arresta automaticamente senza alcuna indicazione. In questa circostanza, spegnere la macchina e interrompere l'applicazione che ha causato il sovraccarico della macchina. Quindi, accendere la macchina per ricominciare.

Protezione dal surriscaldamento

Quando la macchina è surriscaldata, si arresta automaticamente. Lasciar raffreddare la macchina, prima di riaccenderla.

Protezione dalla sovrascarica

Quando la carica della batteria si riduce, la macchina si arresta automaticamente. Qualora il prodotto non funzioni anche quando si attivano gli interruttori, rimuovere le batterie dalla macchina e caricarle.

Indicazione della carica residua della batteria

► **Fig.16:** 1. Indicatore della batteria

Quando la carica residua di una batteria diventa bassa, l'indicatore della batteria lampeggia dal lato della batteria in questione. Qualora si continui a utilizzare la macchina, quest'ultima si arresta e l'indicatore della batteria si illumina per circa 10 secondi. In questa circostanza, caricare la cartuccia della batteria.

Indicazione della carica residua della batteria

Solo per cartucce delle batterie dotate di indicatore

► **Fig.17:** 1. Indicatori luminosi 2. Pulsante di controllo

Premere il pulsante di controllo sulla cartuccia della batteria per indicare la carica residua della batteria. Gli indicatori luminosi si illuminano per alcuni secondi.

Indicatori luminosi			Carica residua
■ Illuminato	□ Spento	◐ Lampeggiante	
■ ■ ■ ■	□ □ □ □	◐ ◐ ◐ ◐	Dal 75% al 100%
■ ■ ■ □	□ □ □ □	◐ ◐ ◐ ◐	Dal 50% al 75%
■ ■ □ □	□ □ □ □	◐ ◐ ◐ ◐	Dal 25% al 50%
■ □ □ □	□ □ □ □	◐ ◐ ◐ ◐	Dallo 0% al 25%
◐ □ □ □	□ □ □ □	◐ ◐ ◐ ◐	Caricare la batteria.
■ ■ □ □	□ □ □ □	◐ ◐ ◐ ◐	La batteria potrebbe essersi guastata.

NOTA: A seconda delle condizioni d'uso e della temperatura ambiente, l'indicazione potrebbe variare leggermente rispetto alla carica effettiva.

Funzionamento dell'interruttore

⚠AVVERTIMENTO: Prima di installare la cartuccia della batteria, controllare sempre che la leva interruttore funzioni correttamente e che torni sulla sua posizione originale quando viene rilasciata. L'utilizzo di una macchina con un interruttore che non funzioni correttamente può portare alla perdita di controllo e a gravi lesioni personali.

NOTA: Il tosaerba non si avvia se non si preme il pulsante interruttore, anche se si tira la leva interruttore.

NOTA: Il tosaerba potrebbe non avviarsi a causa di un sovraccarico, quando si tenta di tagliare erba lunga o densa in una sola sessione. In tal caso, regolare l'altezza di taglio.

Il presente tosaerba è dotato di un interruttore asservito e di un interruttore sul manubrio. Qualora si noti qualcosa di anomalo in relazione a questi interruttori, interrompere immediatamente l'utilizzo e farli controllare dal centro di assistenza autorizzato Makita più vicino.

1. Installare le cartucce delle batterie. Inserire la chiave di blocco nell'interruttore asservito, quindi chiudere il coperchio batterie.

► **Fig.18:** 1. Cartuccia della batteria 2. Chiave di blocco

2. Premere e tenere premuto il pulsante interruttore.

3. Afferrare il manubrio superiore e tirare la leva interruttore.

► **Fig.19:** 1. Pulsante interruttore 2. Leva interruttore

4. Rilasciare il pulsante interruttore non appena il motore inizia ad avviarsi. Il tosaerba continua a funzionare fino a quando si rilascia la leva interruttore.

5. Per arrestare il motore, rilasciare la leva interruttore.

Regolazione dell'altezza di taglio

⚠AVVERTIMENTO: Non mettere mai le mani o le gambe sotto il corpo del tosaerba quando si intende regolare l'altezza di taglio.

⚠AVVERTIMENTO: Accertarsi sempre che la leva entri correttamente nella scanalatura prima dell'uso.

È possibile regolare l'altezza di taglio nella gamma compresa tra 20 mm e 75 mm.

1. Rimuovere la chiave di blocco.

2. Tirare la leva di regolazione dell'altezza di taglio verso l'esterno del corpo del tosaerba e spostarla sull'altezza di taglio desiderata.

► **Fig.20:** 1. Leva di regolazione dell'altezza di taglio

NOTA: I valori dell'altezza di taglio vanno utilizzati solo come indicazione di massima. A seconda delle condizioni del prato o del terreno, l'altezza effettiva del prato potrebbe diventare leggermente diversa da quella impostata.

NOTA: Effettuare un taglio di prova dell'erba in un'ubicazione meno in evidenza, in modo da ottenere l'altezza desiderata.

Indicatore livello erba

► **Fig.21:** 1. Indicatore livello erba

L'indicatore livello erba mostra il volume dell'erba tagliata.

- Quando il cestello erba non è pieno, l'indicatore fluttua durante il taglio dell'erba.
- Quando il cestello erba è pieno, l'indicatore non fluttua durante il taglio dell'erba. In tal caso, interrompere immediatamente il taglio dell'erba e svuotare il cestello. Dopo aver svuotato il cestello, pulirlo in modo che il suo reticolo possa far sfidiare l'aria.

NOTA: Questo indicatore è una guida approssimativa. A seconda delle condizioni all'interno del cestello, questo indicatore potrebbe non funzionare correttamente.

Uso dell'adattatore per pacciamatura

Accessorio opzionale

L'adattatore per pacciamatura consente di far ricadere l'erba tagliata al suolo senza raccoglierla nel cestello erba. Quando si utilizza la macchina con l'adattatore per pacciamatura, accertarsi di rimuovere il cestello erba.

AVVISO: Quando si intende utilizzare la macchina con l'adattatore per pacciamatura, accertarsi che la lunghezza complessiva dell'erba dopo il taglio sia pari o superiore a 30 mm, e che la lunghezza tagliata sia pari o inferiore a 15 mm.

► **Fig.22:** (1) Almeno 30 mm (2) 15 mm o meno

FUNZIONAMENTO

Taglio dell'erba

⚠AVVERTIMENTO: Prima di tagliare l'erba, rimuovere gli stecchi e i sassi dall'area di taglio. Inoltre, rimuovere preventivamente eventuali erbacce dall'area di taglio.

⚠AVVERTIMENTO: Indossare sempre occhiali od occhiali di sicurezza con protezioni laterali, quando si utilizza il tosaerba.

⚠ATTENZIONE: Qualora l'erba tagliata o un corpo estraneo ostruisca l'interno del corpo del tosaerba, accertarsi di rimuovere la chiave di blocco e la cartuccia della batteria, e indossare i guanti prima di rimuovere l'erba o il corpo estraneo.

AVVISO: Utilizzare questa macchina solo per la tosatura di prati. Non tagliare erbacce con questa macchina.

► Fig.23

Tenere saldamente il manubrio con entrambe le mani durante il taglio dell'erba.

La velocità di taglio indicativa è di circa 1 metro ogni 4 secondi.

► Fig.24

I bordi esterni delle ruote anteriori fungono da riferimenti per la larghezza di taglio. Tagliare per strisce, utilizzando i bordi esterni delle ruote anteriori come riferimenti. Per tagliare in modo uniforme il prato, sovrapporre ogni striscia a quella precedente per una parte che vada da una metà a un terzo.

► **Fig.25:** 1. Larghezza di taglio 2. Area di sovrapposizione 3. Bordo esterno

Cambiare la direzione di taglio ogni volta, per evitare che si formi uno schema di venature d'erba in un'unica direzione.

► Fig.26

Controllare a intervalli regolari la quantità di erba tagliata nel cestello erba. Svuotare l'erba prima che il cestello si riempia. Prima di ogni controllo periodico, accertarsi di arrestare il tosaerba, quindi rimuovere la chiave di blocco e la cartuccia della batteria.

AVVISO: L'uso del tosaerba con il cestello erba pieno impedisce una rotazione fluida della lama ed esercita un'ulteriore pressione sul motore, che potrebbe causare un guasto.

Taglio di un prato con erba alta

Non tentare di tagliare dell'erba alta in una singola passata. Tagliare il prato, invece, in più sessioni. Lasciar passare uno o due giorni tra un taglio e l'altro, fino ad accorciare il prato in modo uniforme.

NOTA: Qualora si tagli corta l'erba alta in una singola passata, l'erba potrebbe morire. Inoltre, l'erba tagliata potrebbe ammassarsi e formare un'ostruzione all'interno del corpo del tosaerba.

Svuotamento del cestello erba

AVVERTIMENTO: Per ridurre il rischio di un incidente, verificare a intervalli regolari l'eventuale presenza di danni o di indebolimenti della robustezza del cestello erba. Se necessario, sostituire il cestello erba.

1. Rilasciare la leva interruttore.
 2. Rimuovere la chiave di blocco.
 3. Aprire lo sportellino posteriore ed estrarre il cestello erba tenendolo per la maniglia.
- **Fig.27:** 1. Sportellino posteriore 2. Manico
4. Svuotare il cestello erba.

MANUTENZIONE

AVVERTIMENTO: Accertarsi sempre di aver rimosso la chiave di blocco e la cartuccia della batteria dal tosaerba prima di riporre o trasportare il tosaerba, oppure prima di tentare di eseguire un intervento di ispezione o di manutenzione.

AVVERTIMENTO: Rimuovere sempre la chiave di blocco quando il tosaerba non è in uso. Conservare la chiave di blocco in un luogo sicuro, fuori della portata dei bambini.

AVVERTIMENTO: Indossare dei guanti quando si intende eseguire l'ispezione o la manutenzione.

AVVERTIMENTO: Indossare sempre occhiali od occhialoni di sicurezza con protezioni laterali, quando si intende eseguire ispezioni o manutenzione.

AVVISO: Non utilizzare mai benzina, benzene, solventi, alcol o altre sostanze simili. In caso contrario, si potrebbero causare scolorimenti, deformazioni o crepe.

Per preservare la SICUREZZA e l'AFFIDABILITÀ del prodotto, le riparazioni e qualsiasi altro intervento di manutenzione e di regolazione devono essere eseguiti da un centro di assistenza autorizzato Makita, utilizzando sempre ricambi Makita.

Manutenzione

1. Rimuovere la chiave di blocco. Conservarla in un luogo sicuro fuori della portata dei bambini.
2. Pulire il tosaerba utilizzando esclusivamente un panno umido. Non spruzzare o versare acqua sul tosaerba durante la pulizia.
3. Posizionare il tosaerba su un fianco e pulire i frammenti tagliati di erba accumulati sul lato inferiore della carrozzeria del tosaerba.
4. Controllare che tutti i dadi, i bulloni, le manopole, le viti, le chiusure, e così via, siano serrati saldamente.
5. Ispezionare le parti mobili per individuare danni, rotture o usura. Le parti danneggiate o mancanti vanno riparate o sostituite.

Conservazione

AVVERTIMENTO: Quando si intende trasportare o riporre il tosaerba, non mantenerlo per i manubri ripiegati, ma per l'impugnatura anteriore del tosaerba. Qualora lo si mantenga per i manubri ripiegati, si potrebbero causare gravi lesioni personali o danneggiare il tosaerba.

Prima di riporre il tosaerba, rimuovere la cartuccia della batteria e la chiave di blocco. Riporre il tosaerba al chiuso, in un luogo fresco, asciutto e chiuso a chiave. Non riporre il tosaerba e il caricabatterie in ubicazioni in cui la temperatura possa raggiungere o superare i 40 °C.

► **Fig.28:** 1. Impugnatura anteriore 2. Impugnatura posteriore

1. Allentare le viti di fermo ed espandere il manubrio inferiore da entrambi i lati. Abbassare il manubrio in avanti. In questa fase, tenere una salda presa sul manubrio inferiore, in modo che il manubrio non cada sul lato lontano dal corpo del tosaerba.

► **Fig.29:** 1. Vite di fissaggio 2. Manubrio inferiore

2. Allentare i dadi di fissaggio e far ruotare il manubrio superiore all'indietro, espandendone al tempo stesso entrambi i lati.

► **Fig.30:** 1. Dado di fissaggio 2. Manubrio superiore

3. Riporre il cestello erba tra il manubrio e il corpo del tosaerba.

► **Fig.31:** 1. Cestello erba

NOTA: Quando si intende mettere il tosaerba in posizione verticale, non mantenerlo per il manubrio, ma utilizzare l'impugnatura anteriore del tosaerba.

Rimozione o installazione della lama del tosaerba

⚠AVVERTIMENTO: Rimuovere sempre la chiave di blocco e la cartuccia della batteria quando si intende rimuovere o installare la lama. La mancata rimozione della chiave di blocco e della cartuccia della batteria potrebbe causare gravi lesioni personali.

⚠AVVERTIMENTO: La lama continua a girare per inerzia per alcuni secondi dopo che si è rilasciato l'interruttore. Non iniziare l'operazione fino all'arresto completo della lama.

⚠AVVERTIMENTO: Indossare sempre dei guanti quando si maneggia la lama.

Rimozione della lama del tosaerba

Per il modello DLM382

1. Sistemare il tosaerba su un fianco in modo che la leva di regolazione dell'altezza di taglio si trovi sul lato superiore.

2. Per bloccare la rotazione della lama, inserire un cacciavite o un utensile simile in un foro sul corpo del tosaerba.

3. Ruotare il bullone in senso antiorario con la chiave.

► **Fig.32:** 1. Lama del tosaerba 2. Cacciavite 3. Chiave

4. Rimuovere il bullone e la lama in quest'ordine.

► **Fig.33:** 1. Supporto della lama 2. Lama del tosaerba 3. Bullone

Per il modello DLM432

1. Sistemare il tosaerba su un fianco in modo che la leva di regolazione dell'altezza di taglio si trovi sul lato superiore.

2. Per bloccare la rotazione della lama, inserire un cacciavite o un utensile simile in un foro sul corpo del tosaerba.

3. Ruotare il bullone in senso antiorario con la chiave.

► **Fig.34:** 1. Lama del tosaerba 2. Cacciavite 3. Chiave

4. Rimuovere il bullone, la flangia esterna, la lama del tosaerba e la flangia interna, in quest'ordine.

► **Fig.35:** 1. Flangia interna 2. Lama del tosaerba 3. Flangia esterna 4. Bullone

Installazione della lama del tosaerba

Per installare la lama del tosaerba, eseguire la procedura di rimozione al contrario.

⚠AVVERTIMENTO: Installare con cautela la lama del tosaerba. La lama ha una faccia superiore e una inferiore. Posizionare la lama in modo che la freccia della direzione di rotazione sia rivolta verso l'esterno.

⚠AVVERTIMENTO: Serrare saldamente il bullone in senso orario per fissare la lama.

⚠AVVERTIMENTO: Accertarsi che la lama del tosaerba e tutte le parti di fissaggio siano installate correttamente e serrate saldamente.

⚠AVVERTIMENTO: Quando si sostituiscono le lame, seguire sempre le istruzioni fornite nel presente manuale.

RISOLUZIONE DEI PROBLEMI

Prima di richiedere riparazioni, eseguire un'ispezione personalmente. Qualora si rilevi un problema che non è illustrato nel manuale, non tentare di smontare l'utensile. Rivolgersi, invece, a un centro di assistenza autorizzato Makita, utilizzando sempre pezzi di ricambio Makita per le riparazioni.

Stato di anomalia	Causa probabile (guasto)	Azione correttiva
Il tosaerba non si avvia.	Le due cartucce delle batterie non sono installate.	Installare le cartucce delle batterie caricate.
	Problema delle batterie (tensione insufficiente)	Ricaricare la cartuccia della batteria. Qualora la ricarica non abbia effetto, sostituire la cartuccia della batteria.
	La chiave di blocco non è inserita.	Inserire la chiave di blocco.
Il motore si arresta dopo un breve utilizzo.	Il livello di carica della batteria è basso.	Ricaricare la cartuccia della batteria. Qualora la ricarica non abbia effetto, sostituire la cartuccia della batteria.
	L'altezza di taglio è troppo bassa.	Aumentare l'altezza di taglio.
Il motore non raggiunge i giri/minuto massimi.	La cartuccia della batteria non è installata correttamente.	Installare la cartuccia della batteria come descritto nel presente manuale.
	La potenza della batteria si sta riducendo.	Ricaricare la cartuccia della batteria. Qualora la ricarica non abbia effetto, sostituire la cartuccia della batteria.
	Il sistema di trasmissione non funziona correttamente.	Chiedere la riparazione al proprio centro di assistenza autorizzato locale.
La lama del tosaerba non gira: ⇒ arrestare immediatamente il tosaerba!	Un oggetto estraneo, ad esempio un ramoscello, è incastrato vicino alla lama.	Rimuovere l'oggetto estraneo.
	Il sistema di trasmissione non funziona correttamente.	Chiedere la riparazione al proprio centro di assistenza autorizzato locale.
Vibrazione anomala: ⇒ arrestare immediatamente il tosaerba!	La lama è sbilanciata, usurata eccessivamente o in modo disomogeneo.	Sostituire la lama.

ACCESSORI OPZIONALI

⚠ATTENZIONE: Questi accessori o componenti aggiuntivi sono consigliati per l'uso con l'utensile Makita specificato nel presente manuale.

L'impiego di altri accessori o componenti aggiuntivi può costituire un rischio di lesioni alle persone. Utilizzare gli accessori o i componenti aggiuntivi solo per il loro scopo prefissato.

Per ottenere ulteriori dettagli relativamente a questi accessori, rivolgersi a un centro di assistenza Makita.

- Lama del tosaerba
- Adattatore per pacciamatura
- Batteria e caricabatterie originali Makita

NOTA: Alcuni articoli nell'elenco potrebbero essere inclusi nell'imballaggio dell'utensile come accessori standard. Tali articoli potrebbero variare da nazione a nazione.

TECHNISCHE GEGEVENS

Model:		DLM382	DLM432
Maaibreedte (diameter van snijblad)		380 mm	430 mm
Nullasttoerental		3.700 min ⁻¹	3.600 min ⁻¹
Onderdeelnummer van vervangingsnijblad van grasmaaier		191D41-2	191D43-8
Afmetingen (l x b x h)	tijdens gebruik	L: 1.380 mm tot 1.410 mm B: 450 mm H: 985 mm tot 1.005 mm	L: 1.435 mm tot 1.490 mm B: 460 mm H: 1.005 mm tot 1.045 mm
	tijdens opslag (zonder grasmand)	860 mm x 450 mm x 475 mm	865 mm x 460 mm x 475 mm
Nominale spanning		36 V gelijkstroom	
Nettogewicht		15,0 - 16,5 kg	15,4 - 17,1 kg

- In verband met ononderbroken research en ontwikkeling, behouden wij ons het recht voor de bovenstaande technische gegevens zonder voorafgaande kennisgeving te wijzigen.
- De technische gegevens kunnen van land tot land verschillen.
- Het gewicht kan verschillen afhankelijk van de hulpstukken, waaronder de accu. De lichtste en zwaarste combinatie, overeenkomstig de EPTA-procedure 01/2014, worden getoond in de tabel.

Toepasselijke accu's en laders

Accu	BL1815N / BL1820 / BL1820B / BL1830 / BL1830B / BL1840 / BL1840B / BL1850 / BL1850B / BL1860B
Lader	DC18RC / DC18RD / DC18RE / DC18SD / DC18SE / DC18SF / DC18SH






- Sommige van de hierboven vermelde accu's en laders zijn mogelijk niet leverbaar afhankelijk van waar u woont.

⚠ WAARSCHUWING: Gebruik uitsluitend de accu's en laders die hierboven worden genoemd. Gebruik van enige andere accu of lader kan leiden tot letsel en/of brand.

⚠ WAARSCHUWING: Gebruik geen bekabelde voeding, zoals een accuadapter of draagbare voedingseenheid met dit gereedschap. De kabel van een dergelijke voeding kan het gebruik hinderen waardoor persoonlijk letsel wordt veroorzaakt.

Symbolen

Hieronder staan de symbolen die voor het gereedschap kunnen worden gebruikt. Zorg ervoor dat u de betekenis ervan kent voordat u het gereedschap gaat gebruiken.

	Wees vooral voorzichtig en let goed op.
	Lees de gebruiksaanwijzing.
	Gevaar: let op weggeworpen voorwerpen.
	Omstanders moeten een afstand van zeker 15 meter bewaren tot het gereedschap.
	Breng nooit uw handen of voeten dichtbij het snijblad onder de grasmaaier. Het snijblad blijft nadraaien nadat de motor is uitgeschakeld.



Verwijder de contactsleutel vóór het inspecteren, bijstellen, reinigen, onderhouden, achterlaten of opbergen van de grasmaaier.



Alleen voor EU-landen
Geef elektrisch gereedschap en accu's niet met het huisvuil mee!
Volgens de Europese richtlijn inzake oude elektrische en elektronische apparaten, en inzake batterijen en accu's en oude batterijen en accu's, en de toepassing daarvan binnen de nationale wetgeving, dienen elektrisch gereedschap, accu's en batterijen die het einde van hun levensduur hebben bereikt, gescheiden te worden ingezameld en te worden afgevoerd naar een recyclebedrijf dat voldoet aan de geldende milieueisen.

Gebruiksdoeleinden

De machine is bedoeld om het gazon te maaien.

Geluidsniveau

De typische, A-gewogen geluidsniveaus zijn gemeten volgens EN60335-2-77:

Model DLM382

Geluidsdrukniveau (L_{pA}): 81 dB (A)

Geluidsvermogeniveau (L_{WA}): 91 dB (A)

Onzekerheid (K): 3 dB (A)

Model DLM432

Geluidsdrukniveau (L_{pA}): 81 dB (A)

Geluidsvermogeniveau (L_{WA}): 92 dB (A)

Onzekerheid (K): 3 dB (A)

OPMERKING: De opgegeven geluidsemissiewaarde(n) is/zijn gemeten volgens een standaardtestmethode en kan/kunnen worden gebruikt om dit gereedschap te vergelijken met andere gereedschappen.

OPMERKING: De opgegeven geluidsemissiewaarde(n) kan/kunnen ook worden gebruikt voor een beoordeling vooraf van de blootstelling.

⚠WAARSCHUWING: Draag gehoorbescherming.

⚠WAARSCHUWING: De geluidsemissie tijdens het gebruik van het elektrisch gereedschap in de praktijk kan verschillen van de opgegeven waarde(n) afhankelijk van de manier waarop het gereedschap wordt gebruikt, met name van het soort werkstuk waarmee wordt gewerkt.

⚠WAARSCHUWING: Zorg ervoor dat veiligheidsmaatregelen worden getroffen ter bescherming van de gebruiker die zijn gebaseerd op een schatting van de blootstelling onder praktijkomstandigheden (rekening houdend met alle fasen van de bedrijfscyclus, zoals de tijdsduur gedurende welke het gereedschap is uitgeschakeld en stationair draait, naast de ingeschakelde tijdsduur).

Trilling

De totale trillingswaarde (triaxiale vectorsom) zoals vastgesteld volgens EN60335-2-77:

Model DLM382

Trillingsemissie (a_h): 2,5 m/s² of lager

Onzekerheid (K): 2,0 m/s²

Model DLM432

Trillingsemissie (a_h): 2,5 m/s² of lager

Onzekerheid (K): 1,5 m/s²

OPMERKING: De totale trillingswaarde(n) is/zijn gemeten volgens een standaardtestmethode en kan/kunnen worden gebruikt om dit gereedschap te vergelijken met andere gereedschappen.

OPMERKING: De opgegeven totale trillingswaarde(n) kan/kunnen ook worden gebruikt voor een beoordeling vooraf van de blootstelling.

⚠WAARSCHUWING: De trillingsemissie tijdens het gebruik van het elektrisch gereedschap in de praktijk kan verschillen van de opgegeven waarde(n) afhankelijk van de manier waarop het gereedschap wordt gebruikt, met name van het soort werkstuk waarmee wordt gewerkt.

⚠WAARSCHUWING: Zorg ervoor dat veiligheidsmaatregelen worden getroffen ter bescherming van de gebruiker die zijn gebaseerd op een schatting van de blootstelling onder praktijkomstandigheden (rekening houdend met alle fasen van de bedrijfscyclus, zoals de tijdsduur gedurende welke het gereedschap is uitgeschakeld en stationair draait, naast de ingeschakelde tijdsduur).

EG-verklaring van conformiteit

Alleen voor Europese landen

De EG-verklaring van conformiteit is bijgevoegd als Bijlage A bij deze gebruiksaanwijzing.

VEILIGHEIDSWAARSCHUWINGEN

BELANGRIJKE VEILIGHEIDSVORSCHRIFTEN

⚠WAARSCHUWING: Lees alle veiligheids-waarschuwingen en alle instructies. Het niet volgen van de waarschuwingen en instructies kan leiden tot elektrische schokken, brand en/of ernstig letsel.

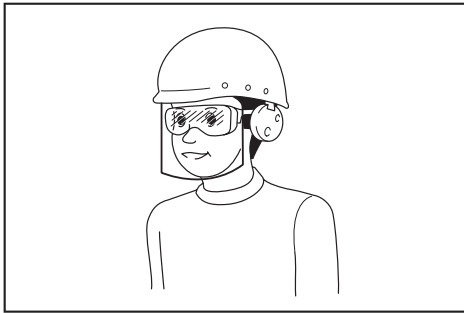
Bewaar alle waarschuwingen en instructies om in de toekomst te kunnen raadplegen.

Instructie

1. Lees de gebruiksaanwijzingen aandachtig door. Zorg dat u vertrouwd bent met de bedieningsorganen en het correcte gebruik van de grasmaaier.
2. Laat nooit kinderen of anderen die niet vertrouwd zijn met deze instructies de grasmaaier bedienen. De toegestane leeftijd van gebruikers kan ook zijn vastgelegd in de plaatselijke wetgeving.
3. Gebruik de grasmaaier nooit met personen, in het bijzonder kinderen, of huisdieren dicht in de buurt.
4. Onthoud dat de bediener of gebruiker aansprakelijk is voor ongelukken met letsel aan andere personen of schade aan hun eigendommen.
5. Houd toezicht op kinderen om te zorgen dat ze niet met de grasmaaier gaan spelen.
6. Lichamelijke conditie - Gebruik de grasmaaier niet onder de invloed van alcohol, stimulerende of verdovende middelen, of na het innemen van medicijnen.

Vorbereidingen

1. Draag bij gebruik van de grasmaaier altijd stevig schoeisel en een lange broek. Gebruik de grasmaaier niet wanneer u op blote voeten loopt of open sandalen draagt. Draag geen juwelen of kleding die erg ruim valt of waarvan koordjes of bandjes los bungelen. Deze kunnen door de bewegende delen gegrepen worden.
2. Inspecteer de grasmaaier vóór gebruik altijd visueel op beschadigde, ontbrekende of verkeerd gemonteerde beschermkappen of schilden.
3. Zorg dat er geen andere personen in de buurt zijn voordat u met maaien begint. Stop de grasmaaier wanneer er iemand nadert.
4. Steek de contactsleutel pas in de grasmaaier wanneer die klaar voor gebruik is.
5. Draag tijdens het gebruik van elektrisch gereedschap altijd een veiligheidsbril om uw ogen te beschermen tegen letsel. De bril moet voldoen aan ANSI Z87.1 in de Verenigde Staten, aan EN 166 in Europa, en aan AS/NZS 1336 in Australië en Nieuw-Zeeland. In Australië en Nieuw-Zeeland is het wettelijk verplicht om tevens een spatscherm te dragen om uw gezicht te beschermen.



Het is de verantwoordelijkheid van de werkgever om ervoor te zorgen dat geschikte beschermingsmiddelen gebruikt worden door de gebruikers van het gereedschap en anderen in de onmiddellijke omgeving van de werkplek.

6. Controleer vóór gebruik zorgvuldig de snijbladen en de bouten van de snijbladen op barsten of andere beschadigingen. Vervang gebarsten of beschadigde snijbladen of bouten van de snijbladen onmiddellijk.
7. Verwijder vóór het maaien eerst obstakels en voorwerpen zoals stenen, ijzerdraad, glas, botten en grote takken uit uw werkgebied, om schade aan de grasmaaier en persoonlijk letsel te voorkomen.
8. Als het snijblad van de grasmaaier een voorwerp raakt, kan ernstig letsel worden veroorzaakt. Controleer altijd vóór het maaien het gras op voorwerpen die hinder of gevaar kunnen veroorzaken en verwijder ze op afdoende wijze.
9. Kijk uit voor kuilen, sporen, hobbels, stenen en andere verborgen voorwerpen. Ongelijkmatig terrein kan leiden tot uitlijden en vallen. In lang gras kunnen obstakels verborgen zitten.

Bediening

1. Reik niet te ver. Zorg altijd voor een goede balans. Zorg altijd dat u stevig staat op hellingen. Loop gewoon en ren niet.
2. Schakel de grasmaaier uit, verwijder de contactsleutel, en verzeker u ervan dat alle bewegende delen volledig tot stilstand zijn gekomen:
 - wanneer u de grasmaaier achterlaat;
 - voor het opheffen van een blokkering of het vrijmaken van het uitwerpkanaal;
 - voor het controleren, reinigen of werken aan de grasmaaier;
 - na het raken van een vreemd voorwerp.Inspecteer de grasmaaier op beschadigingen en voer reparatiewerkzaamheden uit alvorens de grasmaaier opnieuw te starten en te bedienen,
 - als de grasmaaier op ongebruikelijke manier begint te trillen.
3. Gebruik de grasmaaier in geen geval wanneer de beveiligingskappen of schermen defect zijn, of wanneer beveiligingsdelen zoals de keerschotten en/of grasmand afwezig zijn.
4. Vermijd het gebruik van de grasmaaier onder slechte weersomstandigheden, met name wanneer de kans op bliksem bestaat.
5. Draag tijdens het gebruik van de grasmaaier altijd oogbescherming en stevige schoenen.
6. Gebruik de grasmaaier alleen bij daglicht of helder kunstlicht.
7. Schakel de grasmaaier zorgvuldig in volgens de voorschriften, met uw voeten op veilige afstand van de snijblad(en).
8. Wees voorzichtig uw handen en voeten niet te verwonden aan het snijblad.
9. Zorg er altijd voor dat de ventilatieopeningen vrij zijn van vuil.
10. Maai altijd horizontaal langs een glooiing, nooit omhoog en omlaag. Wees uiterst voorzichtig wanneer u op een hellend vlak van richting verandert. Probeer niet om te maaien op al te steile hellingen.
11. Wees uiterst voorzichtig wanneer u de grasmaaier achteruit laat rijden of naar u toe trekt.
12. Stop de snijblad(en) wanneer u de grasmaaier moet kantelen om hem te verplaatsen over een ander oppervlak dan gras, en ook wanneer u de grasmaaier vervoert van of naar het te maaien terrein.
13. Kantel de grasmaaier niet wanneer u de motor inschakelt, behalve wanneer het noodzakelijk is de grasmaaier iets te kantelen om de motor te starten. In dat geval kantelt u hem niet verder dan strikt noodzakelijk en tilt u alleen het van u afgerichte deel iets omhoog. Zorg er altijd voor dat u beide handen op de bedieningspositie houdt voordat u de grasmaaier weer op de grond laat zakken.
14. Plaats nooit uw handen of voeten onder of vlakbij de draaiende onderdelen. Blijf steeds uit de buurt van de uitwerpopening.
15. Vervoer de grasmaaier niet terwijl de grasmaaier is ingeschakeld.

16. Gebruik de grasmaaier niet wanneer het gras nat is.
17. Gebruik de grasmaaier nooit in de regen.
18. Houd de handgreep altijd stevig vast.
19. Raak het snijblad of andere scherpe randen niet aan bij het optillen of dragen van de grasmaaier.
20. Houd uw handen en voeten uit de buurt van het draaiende snijblad. Let op - Het snijblad blijft nadraaien nadat de grasmaaier is uitgeschakeld.
21. Stop onmiddellijk met het gebruik wanneer u iets vreemds opmerkt. Schakel de grasmaaier uit en verwijder de contactsleutel. Inspecteer vervolgens de grasmaaier.
22. Als de grasmaaier is uitgerust met een maaihoogte-instelling, mag u nooit de maaihoogte veranderen terwijl de grasmaaier draait.
23. Laet de schakelhendel los en wacht tot het snijblad gestopt is voordat u een tuinpad, trottoir, oprijlaan, straat of weg oversteekt, of enig terrein waar grind ligt. Verwijder de contactsleutel ook wanneer u de grasmaaier even achterlaat, wanneer u een eindje verder iets moet oprapen, of als u om enige andere reden afgeleid bent van waar u mee bezig was.
24. Als de grasmaaier een vreemd voorwerp raakt, gaat u als volgt te werk:
 - Stop de grasmaaier, laat de schakelhendel los en wacht tot het snijblad helemaal tot stilstand is gekomen.
 - Verwijder de contactsleutel en de accu.
 - Controleer de grasmaaier zorgvuldig op beschadigingen.
 - Vervang het snijblad als het op enige wijze beschadigd is. Repareer alle beschadigingen voordat u de grasmaaier opnieuw start en in gebruik neemt.
25. Start de grasmaaier niet terwijl u recht voor de uitwerpopening staat.
26. Als de grasmaaier abnormaal gaat trillen of schudden (onmiddellijk controleren)
 - inspecteer op schade;
 - vervang of repareer alle beschadigde delen;
 - controleer op loszittende delen en zet die goed vast.
27. Richt het uitgeworpen materiaal nooit op iemand. Voorkom dat materiaal wordt uitgeworpen tegen een muur of obstakel. Het materiaal kan terugkaatsen naar de gebruiker. Zet het snijblad stil wanneer u een verharde ondergrond oversteekt.
28. Trek de grasmaaier niet naar achteren behalve indien absoluut noodzakelijk. Wanneer u niet anders kan dan de grasmaaier achteruit te bewegen vanaf een afrastering of andere, soortgelijke obstructie, kijkt u omlaag en naar achter de grasmaaier vóór en tijdens het achteruit bewegen.
29. Schakel de motor uit en wacht tot het snijblad volledig tot stilstand is gekomen, voordat u de grasvanger verwijdert. Denk eraan dat het snijblad blijft nalopen nadat de grasmaaier is uitgeschakeld.

Onderhoud en opslag

1. Vervang alle versleten of beschadigde onderdelen, voor uw veiligheid. Gebruik uitsluitend originele vervangingsonderdelen en accessoires.
2. Inspecteer en onderhoud de grasmaaier regelmatig.
3. Indien niet in gebruik, bewaart u de grasmaaier buiten bereik van kinderen.
4. Zorg dat alle moeren, bouten en schroeven stevig zijn aangedraaid, om het gereedschap veilig te kunnen gebruiken.
5. Controleer veelvuldig de grasmand op slijtage en beschadigingen. Voor de opslag, verzekert u uzelf ervan dat de grasmand leeg is. Vervang een versleten grasmand uit veiligheidsverwegingen altijd door een origineel, nieuw vervangingsonderdeel.
6. Gebruik uitsluitend de in deze handleiding door de fabrikant voorgeschreven snijbladen.
7. Wees uiterst voorzichtig tijdens het bijstellen van de grasmaaier om te voorkomen dat uw vingers bekneld raken tussen het draaiende snijblad en de vaste delen van de grasmaaier.
8. Niet besproeien of afspoelen met een tuinslang; zorg dat er geen water in de motor en elektrische contacten komt.
9. Controleer veelvuldig of de snijbladbevestigingsbout stevig vast zit.
10. Laet de grasmaaier altijd eerst afkoelen voordat u hem opbergt.
11. Onthoud goed bij onderhoud aan de snijbladen dat ook als de stroom is uitgeschakeld, de snijbladen nog wel kunnen bewegen.
12. Haal de veiligheidsvoorzieningen niet uit elkaar en knoei er niet aan. Controleer regelmatig of ze correct werken. Doe nooit iets dat de beoogde werking van een veiligheidsvoorziening hindert of de bescherming die een veiligheidsvoorziening biedt vermindert.

Gebruik en verzorging van gereedschap dat op een accu werkt

1. Laad alleen op met de acculader aanbevolen door de fabrikant. Een acculader die geschikt is voor een bepaald type accu, kan brandgevaar opleveren indien gebruikt met een ander type accu.
2. Gebruik elektrisch gereedschap uitsluitend met de daarvoor bestemde accu. Gebruik van andere accu's kan gevaar voor letsel of brandgevaar opleveren.
3. Als de accu niet wordt gebruikt, houdt u deze uit de buurt van metalen voorwerpen, zoals paperclips, muntgeld, sleutels, spijkers, schroeven en andere kleine metalen voorwerpen die een kortsluiting kunnen veroorzaken tussen de accupolen. Kortsluiting tussen de accupolen kan leiden tot brandwonden of brand.
4. Onder zware gebruiksomstandigheden kan vloeistof uit de accu komen. Voorkom aanraking! Als u er per ongeluk mee in aanraking komt, spoelt u het er met water af. Als de vloeistof in uw ogen komt, raadpleegt u tevens een arts. Vloeistof uit de accu kan irritatie en brandwonden veroorzaken.

5. **Gebruik geen accu of gereedschap dat beschadigd of gewijzigd is.** Beschadigde of gewijzigde accu's kunnen onvoorspelbaar gedrag vertonen dat kan leiden tot brand, explosie of gevaar van letsel.
6. **Stel een accu of gereedschap niet bloot aan vuur of buitensporige temperaturen.** Blootstelling aan vuur of temperaturen hoger dan 130 °C kunnen een explosie veroorzaken.
7. **Volg alle oplaad instructies en laad de accu of het gereedschap niet op buiten het temperatuurbereik opgegeven in de instructies.** Verkeerd opladen of bij een temperatuur buiten het opgegeven bereik kan de accu beschadigen en de kans op brand vergroten.

Elektrische veiligheid en accu

1. **Werp de accu('s) niet in een vuur.** De accu kan exploderen. Raadpleeg de lokale regelgeving voor mogelijke speciale verwerkingsvereisten.
2. **Open of vervorm de accu('s) niet.** Het elektrolyt is agressief en kan letsel toebrengen aan de ogen en huid. Het kan giftig zijn bij inslikken.
3. **Laad de accu niet op in de regen of op een natte plaats.**
4. **Laad de accu niet buitenshuis op.**
5. **Raak de lader, inclusief de stekker en de contacten van de lader, niet met natte handen aan.**

Reparatie

1. **Laat uw elektrisch gereedschap repareren door een vakbekwame reparateur die gebruik maakt van uitsluitend identieke vervangingsonderdelen.** Zo bent u ervan verzekerd dat de veiligheid van het elektrisch gereedschap behouden blijft.
2. **Repareer nooit een beschadigde accu.** Het repareren van een accu mag uitsluitend worden uitgevoerd door de fabrikant of een erkend servicecentrum.

BEWAAR DEZE VOORSCHRIFTEN.

⚠ WAARSCHUWING: Laat u NIET misleiden door een vals gevoel van comfort en bekendheid met het gereedschap (na veelvuldig gebruik) en neem alle veiligheidsvoorschriften van het betreffende gereedschap altijd strikt in acht.

VERKEERD GEBRUIK of het niet naleven van de veiligheidsvoorschriften in deze gebruiksaanwijzing kan leiden tot ernstige verwondingen.

Belangrijke veiligheidsinstructies voor een accu

1. **Lees alle voorschriften en waarschuwingen op (1) de acculader, (2) de accu, en (3) het product waarvoor de accu wordt gebruikt, alvorens de accu in gebruik te nemen.**
2. **Haal de accu niet uit elkaar en saboteer hem niet.** Dit kan leiden tot brand, buitensporige hitte of een explosie.
3. **Als de gebruiktijd van een opgeladen accu aanzienlijk korter is geworden, moet u het gebruik ervan onmiddellijk stopzetten.** Voortgezet gebruik kan oververhitting, brandwonden en zelfs een ontploffing veroorzaken.
4. **Als elektrolyt in uw ogen is terechtgekomen, spoelt u uw ogen met schoon water en roept u onmiddellijk de hulp van een dokter in.** Elektrolyt in de ogen kan blindheid veroorzaken.
5. **V voorkom kortsluiting van de accu:**
 - (1) **Raak de accuklemmen nooit aan met een geleidend materiaal.**
 - (2) **Bewaar de accu niet in een bak waarin andere metalen voorwerpen zoals spijkers, munten e.d. worden bewaard.**
 - (3) **Stel de accu niet bloot aan water of regen.** Kortsluiting van de accu kan oorzaak zijn van een grote stroomafgifte, oververhitting, brandwonden, en zelfs defecten.
6. **Bewaar en gebruik het gereedschap en de accu niet op plaatsen waar de temperatuur kan oplopen tot 50 °C of hoger.**
7. **Werp de accu nooit in het vuur, ook niet wanneer hij zwaar beschadigd of volledig versleten is.** De accu kan ontploffen in het vuur.
8. **Laat de accu niet vallen, sla er geen spijker in, snijd er niet in, gooi er niet mee en stoot hem niet tegen een hard voorwerp.** Dergelijke handelingen kunnen leiden tot brand, buitensporige hitte of een explosie.
9. **Gebruik nooit een beschadigde accu.**
10. **De bijgeleverde lithium-ionbatterijen zijn onderhevig aan de vereisten in de wetgeving omtrent gevaarlijke stoffen.** Voor commercieel transport en dergelijke door derden en transporteurs moeten speciale vereisten ten aanzien van verpakking en etikettering worden nageleefd. Als voorbereiding van het artikel dat wordt getransporteerd is het noodzakelijk een expert op het gebied van gevaarlijke stoffen te raadplegen. Houd u tevens aan mogelijk strengere nationale regelgeving. Blootliggende contactpunten moeten worden afgedekt met tape en de accu moet zodanig worden verpakt dat deze niet kan bewegen in de verpakking.
11. **Wanneer u de accu wilt weggooien, verwijdert u de accu vanaf het gereedschap en gooit u hem op een veilige manier weg. Volg bij het weggooien van de accu de plaatselijke voorschriften.**
12. **Gebruik de accu's uitsluitend met de gereedschappen die door Makita zijn aanbevolen.** Als de accu's worden aangebracht in niet-compatibele gereedschappen, kan dat leiden tot brand, buitensporige warmteontwikkeling, een explosie of lekkage van elektrolyt.
13. **Als u het gereedschap gedurende een lange tijd niet denkt te gaan gebruiken, moet de accu vanaf het gereedschap worden verwijderd.**
14. **Tijdens en na gebruik, kan de accu heet worden waardoor brandwonden of koude brandwonden kunnen worden veroorzaakt. Wees voorzichtig bij het hanteren van een hete accu.**
15. **Raak de aansluitpunten van het gereedschap niet onmiddellijk na gebruik aan omdat deze heet genoeg kunnen zijn om brandwonden te veroorzaken.**

- Zorg ervoor dat geen steenslag, stof of grond vast komt te zitten op/in de aansluitpunten, openingen en groeven van de accu. Dit kan leiden tot slechte prestaties of een defect van het gereedschap of de accu.
- Behalve indien gebruik van het gereedschap is toegestaan in de buurt van hoogspanningsleidingen, mag u de accu niet gebruiken in de buurt van een hoogspanningsleiding. Dit kan leiden tot een storing of een defect van het gereedschap of de accu.
- Houd de accu uit de buurt van kinderen.

BEWAAR DEZE INSTRUCTIES.

⚠ LET OP: Gebruik uitsluitend originele Makita accu's. Het gebruik van niet-originele accu's, of accu's die zijn gewijzigd, kan ertoe leiden dat de accu ontploft en brand, persoonlijk letsel en schade veroorzaakt. Ook vervalt daarmee de garantie van Makita op het gereedschap en de lader van Makita.

Tips voor een maximale levensduur van de accu

- Laad de accu op voordat hij volledig ontladen is. Stop het gebruik van het gereedschap en laad de accu op telkens wanneer u vaststelt dat het vermogen van het gereedschap is afgenomen.
- Laad een volledig opgeladen accu nooit opnieuw op. Te lang opladen verkort de levensduur van de accu.
- Laad de accu op bij een omgevingstemperatuur tussen 10°C en 40°C. Laat een warme accu afkoelen alvorens hem op te laden.
- Als de accu niet wordt gebruikt, verwijdert u hem vanaf het gereedschap of de lader.
- Laad de accu op als u deze gedurende een lange tijd (meer dan zes maanden) niet gaat gebruiken.

MONTAGE

⚠ WAARSCHUWING: Zorg er altijd voor dat de contactsleutel en de accu zijn verwijderd, alvorens u enig werk aan de grasmaaier gaat uitvoeren. Als u de contactsleutel en de accu niet verwijdert, kan dat leiden tot ernstig persoonlijk letsel als de grasmaaier plotseling zou starten.

⚠ WAARSCHUWING: Start nooit de grasmaaier voordat het geheel naar behoren is gemonteerd. Het apparaat in een gedeeltelijk gemonteerde toestand bedienen, kan na per ongeluk inschakelen leiden tot ernstig persoonlijk letsel.

Het accudeksel aanbrengen

⚠ WAARSCHUWING: Steek de contactsleutel en de accu niet erin voordat u het accudeksel hebt aangebracht. Als u zich hier niet aan houdt, kan dat leiden tot ernstig letsel.

Breng het accudeksel volledig aan vóór gebruik. Het accudeksel beschermt de grasmaaier en accu tegen modder, vuil en water.

- Plaats het accudeksel zodanig op de grasmaaier dat de openingen in het accudeksel zijn uitgelijnd met de uitstekende nokken op de grasmaaier.
► Fig.1: 1. Uitstekende nok 2. Opening 3. Accudeksel
- Plaats uw handen op het midden van het accudeksel en duw erop.
► Fig.2
- Controleer vóór het eerste gebruik of het scharnierpunt van het accudeksel naar behoren is vastgemaakt. Als het accudeksel correct is aangebracht, zal deze niet opengaan voordat aan de accudeksel-borghendel is getrokken.
► Fig.3: 1. Scharnierpunt 2. Accudeksel-borghendel

De handgreep aanbrengen

KENNISGEVING: Bij het aanbrengen van de handgrepen leidt u de kabels zodat ze niet bekneld raken door iets tussen de handgrepen. Als de kabel beschadigd is, werkt mogelijk de schakelaar van de grasmaaier niet.

- Schuif beide uiteinden van de onderste handgreep in de gleuven van de grasmaaier en draai daarna de klemschroeven helemaal vast.
► Fig.4: 1. Klemschroef 2. Onderste handgreep
- Lijn de schroefgaten van de bovenste en onderste handgrepen met elkaar uit. Bevestig ze aan elkaar met behulp van de klemschroeven en klemmoeren.
► Fig.5: 1. Klemmoer 2. Klemschroef

OPMERKING: Houd de bovenste handgreep stevig vast, zodat deze niet uit uw hand valt.

- Bevestig de kabelklem aan de handgreep. Geleid het netsnoer zoals aangegeven in de afbeelding.
► Fig.6: 1. Kabelklem

Het mulch-inzetstuk verwijderen

Optioneel accessoire

- Open de achterklep.
► Fig.7: 1. Achterklep
- Houd het mulch-inzetstuk vast aan het handvat en trek het uit het maaidek, zoals aangegeven in de afbeelding.
► Fig.8: 1. Mulch-inzetstuk 2. Handvat

De grasmand aanbrengen

- Open de achterklep.
► Fig.9: 1. Achterklep
- Haak de grasmand aan de stang van het maaidek, zoals aangegeven in de afbeelding.
► Fig.10: 1. Haak 2. Stang 3. Grasmand

Het mulch-inzetstuk aanbrengen

Optioneel accessoire

- Open de achterklep en verwijder de grasmand.
► Fig.11: 1. Achterklep 2. Grasmand
- Houd het mulch-inzetstuk vast aan het handvat en plaats vervolgens het in het maaidek, zoals aangegeven in de afbeelding.
► Fig.12: 1. Mulch-inzetstuk 2. Handvat

BESCHRIJVING VAN DE FUNCTIES

De accu aanbrengen en verwijderen

▲LET OP: Schakel het apparaat altijd uit voordat u de accu aanbrengt of verwijdert.

▲LET OP: Zorg dat u voor gebruik het accudeksel stevig afsluit. Anders zou er modder, vuil en water in kunnen komen en het gereedschap of de accu kunnen beschadigen.

▲LET OP: Schuif de accu altijd volledig naar binnen totdat het rode deel niet meer zichtbaar is. Als u dit niet doet, kan de accu per ongeluk uit het apparaat vallen en letsel veroorzaken bij u of anderen in uw omgeving.

▲LET OP: Druk de accu er niet met kracht in. Als de accu er niet soepel in schuift, houdt u die waarschijnlijk in de verkeerde stand.

OPMERKING: Het apparaat werkt niet met slechts één accu.

De accu aanbrengen:

1. Verschuif de accudeksel-borghendel en open het accudeksel.

► Fig.13: 1. Accudeksel 2. Accudeksel-borghendel

2. Lijn de lip op de accu uit met de gleuf in de grasmaaier en schuif daarna de accu erin tot deze met een klikgeluid op zijn plaats wordt vergrendeld.

► Fig.14: 1. Accu

3. Steek de contactsleutel in op de plaats die in de afbeelding is aangegeven, zover de sleutel gaat.

► Fig.15: 1. Contactsleutel

4. Sluit het accudeksel en duw erop totdat hij wordt vergrendeld met de borghendel.

De accu uit de grasmaaier verwijderen:

1. Verschuif de accudeksel-borghendel en open het accudeksel.

2. Trek de accu uit de grasmaaier terwijl u de knop aan de voorkant van de accu verschuift.

3. Trek de contactsleutel eruit.

4. Sluit het accudeksel.

Beveiligingssysteem voor apparaat/accu

Het apparaat is uitgerust met een beveiligingssysteem voor apparaat/accu. Dit systeem schakelt automatisch de voeding naar de motor uit om de levensduur van het gereedschap en de accu te verlengen. Het apparaat kan tijdens het gebruik automatisch stoppen als het apparaat of de accu aan één van de volgende omstandigheden wordt blootgesteld.

Overbelastingsbeveiliging

Wanneer het apparaat wordt bediend op een manier waarop het een abnormaal hoge stroomsterkte trekt, stopt het apparaat automatisch zonder enige waarschuwing. Wanneer dat gebeurt, schakelt u het apparaat uit en stopt u de toepassing die ertoe leidde dat het apparaat overbelast raakte. Schakel vervolgens het apparaat in om het weer te starten.

Oververhittingsbeveiliging

Wanneer het apparaat oververhit is, stopt het apparaat automatisch. Laat het apparaat afkoelen voordat u het apparaat weer inschakelt.

Beveiliging tegen te ver ontladen

Als de acculading laag is, stopt het apparaat automatisch. Als het apparaat niet werkt, ook niet wanneer de schakelaars worden bediend, verwijdert u de accu's vanaf het apparaat en laadt u de accu's op.

De resterende acculading controleren

► Fig.16: 1. Accu-indicatorlampje

Als de resterende acculading laag wordt, knippert het accu-indicatorlampje aan de kant van de betreffende accu. Bij verder gebruik stopt het apparaat en brandt het accu-indicatorlampje gedurende ongeveer 10 seconden. Laad in dat geval de accu op.

De resterende acculading controleren

Alleen voor accu's met indicatorlampjes

► Fig.17: 1. Indicatorlampjes 2. Testknop

Druk op de testknop op de accu om de resterende acculading te zien. De indicatorlampjes branden gedurende enkele seconden.

Indicatorlampjes			Resterende acculading
Brandt	Uit	Knippert	
■	□	▩	75% tot 100%
■	■	□	50% tot 75%
■	■	□	25% tot 50%
■	□	□	0% tot 25%
▩	□	□	Laad de accu op.
■	■	□	Er kan een storing zijn opgetreden in de accu.
□	□	■	

OPMERKING: Afhankelijk van de gebruiksomstandigheden en de omgevingstemperatuur, is het mogelijk dat de aangegeven acculading verschilt van de werkelijke acculading.

De trekkerschakelaar gebruiken

⚠ WAARSCHUWING: Alvorens u de accu aanbrengt, controleert u eerst of de schakelhendel goed werkt en bij loslaten automatisch naar de oorspronkelijke stand terugkeert. Bediening van het apparaat met een schakelaar die niet goed werkt kan leiden tot ongecontroleerde bewegingen, met kans op ernstig lichamelijk letsel.

OPMERKING: De grasmaaier start niet zonder dat u de schakelknop indrukt, ook al trekt u de schakelhendel in.

OPMERKING: De grasmaaier start mogelijk niet vanwege overbelasting wanneer u lang of dicht gras in één keer probeert te maaien. Stel in dat geval de maaihoogte hoger in.

Deze grasmaaier is voorzien van een contactslotschakelaar en een handgreepschakelaar. Als er iets niet in orde is met een van deze twee schakelaars, staakt u dan onmiddellijk het gebruik en laat u ze controleren bij uw dichtstbijzijnde erkende Makita-servicecentrum.

1. Breng de accu's aan. Steek de contactsleutel in het contactslot en sluit dan het accudeksel.

► Fig.18: 1. Accu 2. Contactsleutel

2. Druk op de schakelknop en houd deze ingedrukt.

3. Pak de bovenste handgreep vast en trek de schakelhendel in.

► Fig.19: 1. Schakelknop 2. Schakelhendel

4. Laat de schakelknop los zodra de motor begint te draaien. De grasmaaier blijft draaien totdat u de schakelhendel loslaat.

5. Laat de schakelhendel los om de motor te stoppen.

De maaihoogte instellen

⚠ WAARSCHUWING: Plaats bij het instellen van de maaihoogte nooit uw hand of voet onder de grasmaaierbehuizing.

⚠ WAARSCHUWING: Controleer vóór het gebruik zorgvuldig of de hendel juist in de gleuf valt.

De maaihoogte is instelbaar binnen een bereik van 20 mm tot 75 mm.

1. Verwijder de contactsleutel.

2. Trek de maaihoogte-instelhendel naar de buitenkant van de grasmaaierbehuizing en verplaats hem naar de gewenste maaihoogte.

► Fig.20: 1. Maaihoogte-instelhendel

OPMERKING: De waarden voor de maaihoogte mogen slechts als richtlijn worden gebruikt. Afhankelijk van de toestand van het gazon en de ondergrond, kan de daadwerkelijke gazonhoogte iets afwijken van de ingestelde hoogte.

OPMERKING: Met een maaiproef in een minder opvallende plaats kunt u door uitproberen de gewenste hoogte vinden.

Grasniveau-indicator

► Fig.21: 1. Grasniveau-indicator

De grasniveau-indicator geeft de hoeveelheid gemaaid gras aan.

- Zolang de grasmand nog niet vol is, zal de indicator tijdens het maaien blijven zweven.
- Wanneer de grasmand vol is, zal de indicator tijdens het maaien niet meer zweven. In dat geval stopt u onmiddellijk met maaien en leegt u de grasmand. Na het legen van de grasmand reinigt u die zo dat er weer lucht door de mazen stroomt.

OPMERKING: Deze indicator is slechts een grove richtlijn. Afhankelijk van de toestand binnenin de grasmand, werkt deze indicator niet altijd goed.

Het mulch-inzetstuk gebruiken

Optioneel accessoire

Het mulch-inzetstuk maakt het mogelijk om het maaisel naar de grond terug te voeren zonder het maaisel op te vangen in de grasmand. Wanneer u het apparaat met het mulch-inzetstuk gebruikt, moet u de grasmand verwijderen.

KENNISGEVING: Wanneer u de machine met het mulch-inzetstuk gebruikt, verzekert u zich ervan dat de totale lengte van het gras na het maaien 30 mm of meer is, en de maailengte 15 mm of minder is.

► Fig.22: (1) 30 mm of meer (2) 15 mm of minder

BEDIENING

Maaien

⚠ WAARSCHUWING: Voor het maaien verwijdert u alle takken en stenen van het te maaien terrein. Bovendien kunt u beter ook van tevoren alle onkruid uit het te maaien grasveld wieden.

⚠ WAARSCHUWING: Draag bij het maaien altijd een beschermende bril of een veiligheidsbril met volledig gesloten zijkantbescherming.

⚠ LET OP: Als het maaisel of een vreemd voorwerp zich ophoopt binnenin het maaidek, moet u eerst de contactsleutel en accu verwijderen, en handschoenen aantrekken voordat u het maaisel of vreemde voorwerp verwijdert.

KENNISGEVING: Gebruik deze machine alleen voor het maaien van een gazon. Maai geen onkruid met deze machine.

► Fig.23

Houd bij het maaien de handgreep met beide handen stevig vast.

De richtlijn voor de maaisnelheid is ongeveer 1 meter per 4 seconden.

► Fig.24

De buitenranden van de voorwielen kunnen worden gebruikt als richtlijn voor de maaibreedte. Gebruik de buitenranden van de voorwielen als richtlijn bij het maaien in banen. Overlap elke baan met de helft of een derde van de breedte van de vorige baan om het gazon gelijkmatig te maaien.

► **Fig.25:** 1. Maaibreedte 2. Overlappending 3. Buitenrand

Verander de maairichting bij elke baan om te voorkomen dat het graspatroon in één richting wordt gevormd.

► **Fig.26**

Controleer regelmatig het gemaaid gras in de grasmand. Leeg de grasmand voordat deze vol raakt. Vóór elke periodelijke inspectie dient u de grasmaaier uit te schakelen en daarna de contactsleutel en de accu te verwijderen.

KENNISGEVING: Als u de grasmaaier gebruikt met een volle grasmand kan het snijblad niet soepel draaien, hetgeen de motor overmatig belast, waardoor de kans op defecten toeneemt.

Maaien van erg lang gras

Probeer niet om erg lang gras in één keer kort te maaien. Maai uw gazon liever in meerdere maaibeurten. Laat een dag of twee tussen de maaibeurten, tot uw gehele gazon gelijkmatig kort is.

OPMERKING: Als u erg lang gras in één keer helemaal kort maait, kan het gras afsterven. Tevens kan de binnenkant van het maaidek verstopt raken door het gemaaid gras.

De grasmand legen

WAARSCHUWING: Om ongelukken te voorkomen, controleert u regelmatig de grasmand op schade of verzakking door slijtage. Vervang zo nodig de grasmand.

1. Laat de schakelhendel los.
2. Verwijder de contactsleutel.
3. Open de achterklep en verwijder de grasmand door het handvat vast te pakken.
► **Fig.27:** 1. Achterklep 2. Handvat
4. Leeg de grasmand.

ONDERHOUD

WAARSCHUWING: Zorg altijd dat de contactsleutel en de accu uit de grasmaaier zijn verwijderd voordat u de grasmaaier opbergt of draagt, of voordat u inspectie of onderhoud gaat verrichten.

WAARSCHUWING: Verwijder altijd de contactsleutel wanneer de grasmaaier niet in gebruik is. Bewaar de contactsleutel op een veilige plaats, buiten bereik van kinderen.

WAARSCHUWING: Draag handschoenen bij het verrichten van inspectie of onderhoud.

WAARSCHUWING: Draag bij het verrichten van inspectie of onderhoud altijd een beschermende bril of een veiligheidsbril met zijkappen.

KENNISGEVING: Gebruik nooit benzine, wasbenzine, thinner, alcohol en dergelijke. Hierdoor kunnen verkleuring, vervormingen en barsten worden veroorzaakt.

Om de VEILIGHEID en BETROUWBAARHEID van het gereedschap te handhaven, dienen alle reparaties, onderhoud of afstellingen te worden uitgevoerd bij een erkend Makita-servicecentrum of de Makita-fabriek, en altijd met gebruik van Makita-ervangingsonderdelen.

Onderhoud

1. Verwijder de contactsleutel. Bewaar deze op een veilige plaats, buiten bereik van kinderen.
2. Maak uw grasmaaier schoon met slechts een natte doek. Sproei of giet geen water over de grasmaaier wanneer u die schoonmaakt.
3. Leg de grasmaaier op zijn kant en verwijder het maaisel dat zich heeft opgehoopt tegen de onderkant van het maaidek.
4. Controleer of alle moeren, bouten, knoppen, schroeven en andere bevestigingspunten stevig vast zitten.
5. Inspecteer de bewegende onderdelen op schade, defecten en slijtage. Beschadigde of ontbrekende onderdelen moeten worden gerepareerd of vervangen.

Opslag

WAARSCHUWING: Voor het meedragen of opslaan van de grasmaaier, mag u de ingeklapte handgrepen niet vastpakken, maar pakt u het voorhandvat van de grasmaaier vast. Als u de ingeklapte handgrepen vastpakt, kan dat leiden tot ernstig letsel of schade aan de grasmaaier.

Alvorens u de grasmaaier opbergt, verwijdert u de accu en de contactsleutel. Berg de grasmaaier binnenshuis op, in een koele, droge en afgesloten ruimte. Berg de grasmaaier en de accu niet op op een plaats waar de temperatuur tot 40 °C of hoger kan oplopen.

► **Fig.28:** 1. Voorhandvat 2. Achterhandvat

1. Draai de klemmschroeven los, schuif de onderste handgreep naar weerszijden uiteen. Klap de handgreep naar voren omlaag. Houd hierbij de onderste handgreep stevig vast zodat de handgreep niet helemaal naar de andere kant van de grasmaaier omlaag valt.
► **Fig.29:** 1. Klemmschroef 2. Onderste handgreep

2. Draai de klemmoeren los, schuif de bovenste handgreep naar weerszijden uiteen en klap de bovenste handgreep achterover.
► **Fig.30:** 1. Klemmoer 2. Bovenste handgreep

3. Berg de grasmand op tussen de handgreep en de grasmaaierbehuizing.
► **Fig.31:** 1. Grasmand

OPMERKING: Wanneer u de grasmaaier rechtop zet, mag u de handgreep niet vastpakken, maar pakt u het voorhandvat van de grasmaaier vast.

Het snijblad van de grasmaaier aanbrengen of verwijderen

⚠ WAARSCHUWING: Verwijder altijd eerst de contactsleutel en de accu voordat u het snijblad gaat verwijderen of aanbrengen. Als u de contactsleutel en de accu niet verwijderd, kan dat leiden tot ernstig letsel.

⚠ WAARSCHUWING: Nadat de schakelhendel is losgelaten, blijft het snijblad nog enkele seconden nadraaien. Voer geen enkele handeling uit voordat het snijblad volledig tot stilstand is gekomen.

⚠ WAARSCHUWING: Draag bij het hanteren van het snijblad altijd handschoenen.

Het snijblad van de grasmaaier verwijderen

Voor DLM382

1. Leg de grasmaaier zodanig op zijn zijkant dat de maaihoogte-instelhendel bovenop komt.
2. Om het snijblad te blokkeren, steekt u een schroevendraaier of soortgelijk gereedschap in de opening in het maai-dek.
3. Draai de bout linksom los met de sleutel.
▶ **Fig.32:** 1. Snijblad van de grasmaaier 2. Schroevendraaier 3. Sleutel
4. Verwijder de bout en het snijblad in die volgorde.
▶ **Fig.33:** 1. Snijbladvoet 2. Snijblad van de grasmaaier 3. Bout

Voor DLM432

1. Leg de grasmaaier zodanig op zijn zijkant dat de maaihoogte-instelhendel bovenop komt.
2. Om het snijblad te blokkeren, steekt u een schroevendraaier of soortgelijk gereedschap in de opening in het maai-dek.
3. Draai de bout linksom los met de sleutel.
▶ **Fig.34:** 1. Snijblad van de grasmaaier 2. Schroevendraaier 3. Sleutel
4. Verwijder de bout, de buitenflens, het snijblad van de grasmaaier en de binnenflens, in die volgorde.
▶ **Fig.35:** 1. Binnenflens 2. Snijblad van de grasmaaier 3. Buitenflens 4. Bout

Het snijblad van de grasmaaier monteren

Om het snijblad van de grasmaaier aan te brengen, volgt u de verwijderingsprocedure in omgekeerde volgorde.

⚠ WAARSCHUWING: Breng het snijblad van de grasmaaier zorgvuldig aan. Het heeft een boven- en onderkant. Plaats het snijblad zodanig dat de draairichtingspijl naar buiten wijst.

⚠ WAARSCHUWING: Draai de bout rechtsom stevig aan om het snijblad vast te zetten.

⚠ WAARSCHUWING: Zorg ervoor dat het snijblad van de grasmaaier en alle bevestigingsdelen correct zijn aangebracht en stevig zijn vastgezet.

⚠ WAARSCHUWING: Als u het snijblad vervangt, volgt u altijd de instructies die in deze handleiding worden gegeven.

PROBLEMEN OPLOSSEN

Alvorens u verzoekt om reparatie, kunt u zelf als volgt het probleem opsporen en oplossen. Als u met een probleem kampt dat in deze handleiding niet wordt beschreven, probeer dan niet het gereedschap te demonteren. Laat reparaties over aan een erkend Makita-servicecentrum, uitsluitend met gebruik van originele Makita-ervangingsonderdelen.

Probleemomschrijving	Waarschijnlijke oorzaak (storing)	Oplossing
De grasmaaier start niet.	Er zijn nog niet twee volle accu's aangebracht.	Breng opgeladen accu's aan.
	Probleem met de accu (onvoldoende spanning)	Laad de accu op. Als het opladen geen effect heeft, vervangt u de accu.
	De contactsleutel is niet ingestoken.	Steek de contactsleutel er in.
Na kortstondig gebruik stopt de motor al gauw.	De accu is bijna leeg.	Laad de accu op. Als het opladen geen effect heeft, vervangt u de accu.
	De maaihoogte is te laag.	Vergroot de maaihoogte.
Het maximale motortoerental wordt niet bereikt.	De accu is niet juist aangebracht.	Breng de accu aan zoals beschreven in deze handleiding.
	De accuspanning valt weg.	Laad de accu op. Als het opladen geen effect heeft, vervangt u de accu.
	Het aandrijfsysteem werkt niet goed.	Vraag uw plaatselijke erkende servicecentrum om reparatie.
Het snijblad van de grasmaaier draait niet rond: ⇒ stop de grasmaaier onmiddellijk!	Een vreemd voorwerp, zoals een tak, is vastgeraakt dichtbij het snijblad.	Verwijder het vreemde voorwerp.
	Het aandrijfsysteem werkt niet goed.	Vraag uw plaatselijke erkende servicecentrum om reparatie.
Abnormale trillingen: ⇒ stop de grasmaaier onmiddellijk!	Het snijblad is niet meer gebalanceerd, of overmatig of ongelijkmatig gesleten.	Vervang het snijblad.

OPTIONELE ACCESSOIRES

⚠ LET OP: Deze accessoires of hulpstukken worden aanbevolen voor gebruik met het Makita gereedschap dat in deze gebruiksaanwijzing is beschreven. Bij gebruik van andere accessoires of hulpstukken bestaat het gevaar van persoonlijke letsel. Gebruik de accessoires of hulpstukken uitsluitend voor hun bestemde doel.

Wenst u meer bijzonderheden over deze accessoires, neem dan contact op met het plaatselijke Makita-servicecentrum.

- Snijblad van de grasmaaier
- Mulch-inzetstuk
- Originele Makita-accu en -acculader

OPMERKING: Sommige items op de lijst kunnen zijn inbegrepen in de doos van het gereedschap als standaard toebehoren. Deze kunnen van land tot land verschillen.

ESPECIFICACIONES

Modelo:	DLM382	DLM432	
Anchura de la siega (diámetro de la cuchilla)	380 mm	430 mm	
Velocidad en vacío	3.700 min ⁻¹	3.600 min ⁻¹	
Número de pieza de cuchilla de cortacésped de recambio	191D41-2	191D43-8	
Dimensiones (La x An x Al)	durante la operación	La: 1.380 mm a 1.410 mm An: 450 mm Al: 985 mm a 1.005 mm	La: 1.435 mm a 1.490 mm An: 460 mm Al: 1.005 mm a 1.045 mm
	cuando está almacenado (sin cesta para hierba)	860 mm x 450 mm x 475 mm	865 mm x 460 mm x 475 mm
Tensión nominal	CC 36 V		
Peso neto	15,0 - 16,5 kg	15,4 - 17,1 kg	

- Debido a nuestro continuado programa de investigación y desarrollo, las especificaciones aquí dadas están sujetas a cambios sin previo aviso.
- Las especificaciones pueden ser diferentes de país a país.
- El peso puede variar dependiendo del accesorio(s), incluyendo el cartucho de batería. La combinación menos pesada y la más pesada, de acuerdo con el procedimiento EPTA 01/2014, se muestran en la tabla.

Cartucho de batería y cargador aplicables

Cartucho de batería	BL1815N / BL1820 / BL1820B / BL1830 / BL1830B / BL1840 / BL1840B / BL1850 / BL1850B / BL1860B
Cargador	DC18RC / DC18RD / DC18RE / DC18SD / DC18SE / DC18SF / DC18SH






- Algunos de los cartuchos de batería y cargadores indicados arriba puede que no estén disponibles dependiendo de su región de residencia.

⚠ ADVERTENCIA: Utilice solamente los cartuchos de batería y cargadores listados arriba. La utilización de cualquier otro cartucho de batería y cargador puede ocasionar heridas y/o un incendio.

⚠ ADVERTENCIA: No utilice un suministro de alimentación con cable como un adaptador de batería o unidad portátil de alimentación eléctrica con esta máquina. El cable de tal suministro de alimentación puede dificultar la operación y resultar en heridas personales.

Símbolos

A continuación se muestran los símbolos que pueden ser utilizados para el equipo. Asegúrese de que entienda su significado antes de utilizar.

	Preste cuidado y atención especiales.
	Lea el manual de instrucciones.
	Peligro; sea consciente de que salen objetos lanzados.
	La distancia entre la herramienta y los transeúntes deberá ser de 15 m por lo menos.
	No ponga nunca sus manos ni pies cerca de la cuchilla debajo del cortacésped. Las cuchillas siguen girando después de apagar el motor.



Retire la llave de bloqueo antes de inspeccionar, ajustar, limpiar, hacer el servicio de mantenimiento, dejar y almacenar el cortacésped.



Sólo para países de la Unión Europea ¡No deseche los aparatos eléctricos o baterías junto con los residuos domésticos! De conformidad con las Directivas Europeas, sobre residuos de aparatos eléctricos y electrónicos y baterías y acumuladores y residuos de baterías y acumuladores y su aplicación de acuerdo con la legislación nacional, los aparatos eléctricos y pilas y baterías cuya vida útil haya llegado a su fin deberán ser recogidos por separado y trasladados a una planta de reciclaje que cumpla con las exigencias ecológicas.

Uso previsto

La máquina ha sido prevista para segar césped.

Ruido

El nivel de ruido A-ponderado típico determinado de acuerdo con la norma EN60335-2-77:

Modelo DLM382

Nivel de presión sonora (L_{pA}): 81 dB (A)
Nivel de potencia sonora (L_{WA}): 91 dB (A)
Error (K): 3 dB (A)

Modelo DLM432

Nivel de presión sonora (L_{pA}): 81 dB (A)
Nivel de potencia sonora (L_{WA}): 92 dB (A)
Error (K): 3 dB (A)

NOTA: El valor (o los valores) de emisión de ruido declarado ha sido medido de acuerdo con un método de prueba estándar y se puede utilizar para comparar una herramienta con otra.

NOTA: El valor (o valores) de emisión de ruido declarado también se puede utilizar en una valoración preliminar de exposición.

⚠ADVERTENCIA: Póngase protectores para oídos.

⚠ADVERTENCIA: La emisión de ruido durante la utilización real de la herramienta eléctrica puede variar del valor (o los valores) de emisión declarado dependiendo de las formas en las que la herramienta sea utilizada, especialmente qué tipo de pieza de trabajo se procesa.

⚠ADVERTENCIA: Asegúrese de identificar medidas de seguridad para proteger al operario que estén basadas en una estimación de la exposición en las condiciones reales de utilización (teniendo en cuenta todas las partes del ciclo operativo como las veces cuando la herramienta está apagada y cuando está funcionando en vacío además del tiempo de gatillo).

Vibración

El valor total de la vibración (suma de vectores triaxiales) determinado de acuerdo con la norma EN60335-2-77:

Modelo DLM382

Emisión de vibración (a_h): 2,5 m/s² o menos
Error (K): 2,0 m/s²

Modelo DLM432

Emisión de vibración (a_h): 2,5 m/s² o menos
Error (K): 1,5 m/s²

NOTA: El valor (o los valores) total de emisión de vibración declarado ha sido medido de acuerdo con un método de prueba estándar y se puede utilizar para comparar una herramienta con otra.

NOTA: El valor (o los valores) total de emisión de vibración declarado también se puede utilizar en una valoración preliminar de exposición.

⚠ADVERTENCIA: La emisión de vibración durante la utilización real de la herramienta eléctrica puede variar del valor (o los valores) de emisión declarado dependiendo de las formas en las que la herramienta sea utilizada, especialmente qué tipo de pieza de trabajo se procesa.

⚠ADVERTENCIA: Asegúrese de identificar medidas de seguridad para proteger al operario que estén basadas en una estimación de la exposición en las condiciones reales de utilización (teniendo en cuenta todas las partes del ciclo operativo como las veces cuando la herramienta está apagada y cuando está funcionando en vacío además del tiempo de gatillo).

Declaración CE de conformidad

Para países europeos solamente

La declaración CE de conformidad está incluida como Anexo A de esta manual de instrucciones.

ADVERTENCIAS DE SEGURIDAD

INSTRUCCIONES DE SEGURIDAD IMPORTANTES

⚠ADVERTENCIA: Lea todas las advertencias de seguridad y todas las instrucciones. Si no sigue las advertencias e instrucciones podrá resultar en una descarga eléctrica, un incendio y/o heridas graves.

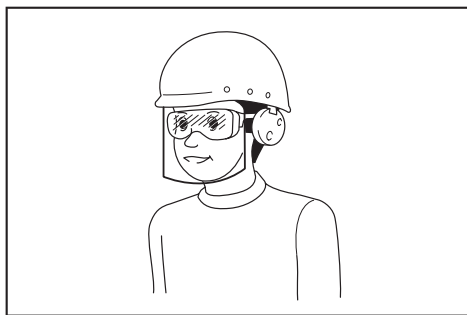
Guardé todas las advertencias e instrucciones para futuras referencias.

Capacitación

1. Lea las instrucciones atentamente. Familiarícese con los controles y el uso apropiado del cortacésped.
2. No permita nunca que niños o gente no familiarizada con estas instrucciones utilicen el cortacésped. Los reglamentos locales pueden restringir la edad del operario.
3. No utilice nunca el cortacésped cuando haya gente, especialmente niños o animales domésticos cerca.
4. Tenga en cuenta que el operario o usuario es el responsable de los accidentes o riesgos ocasionados a otras personas o propiedades de las mismas.
5. Los niños pequeños deberán ser supervisados para asegurarse de que no juegan con el cortacésped.
6. Condición física - No utilice el cortacésped bajo la influencia de drogas, alcohol, o cualquier medicación.

Preparación

1. Mientras utiliza el cortacésped póngase siempre calzado robusto y pantalones largos. No utilice el cortacésped cuando esté descalzo o lleve puestas sandalias abiertas. Evite ponerse ropa o joyas que queden holgadas o que tengan cordones colgando o corbatas. Pueden engancharse en las piezas que se mueven.
2. Antes de utilizar, inspeccione siempre visualmente el cortacésped por si está dañado, o tiene protectores o escudos sin colocar o mal colocados.
3. Asegúrese de que el área está despejada de gente antes de segar. Detenga el cortacésped si entra alguien en el área.
4. No inserte la llave de bloqueo en el cortacésped hasta que esté listo para ser utilizado.
5. Póngase siempre gafas de protección para proteger sus ojos de heridas cuando utilice herramientas eléctricas. Las gafas de protección deben cumplir con las normas ANSI Z87.1 en los Estados Unidos de América, EN 166 en Europa, o AS/NZS 1336 en Australia/Nueva Zelanda. En Australia/Nueva Zelanda, se requiere, también, legalmente ponerse pantalla facial para proteger la cara.



Es una responsabilidad del empresario imponer a los operarios de la herramienta y a otras personas en las inmediaciones del área de trabajo el uso de equipos de protección de seguridad apropiados.

6. Compruebe las cuchillas o los pernos de la cuchilla cuidadosamente por si tienen grietas o daños antes de comenzar la operación. Reemplace las cuchillas o los pernos de la cuchilla agrietados o dañados inmediatamente.
7. Retire los objetos extraños tales como rocas, alambres, botellas, huesos y palos largos del área de trabajo antes de segar para evitar heridas personales o daños al cortacésped.
8. Los objetos golpeados por la cuchilla de cortacésped pueden ocasionar graves heridas personales. El césped deberá ser siempre examinado atentamente y despejado de todos los objetos antes de cada siega.
9. Tenga cuidado con los orificios, surcos, rocas, u otros objetos ocultos. El terreno desnivelado puede ocasionar un accidente por resbalamiento y caída. La hierba alta puede ocultar obstáculos.

Operación

1. No trabaje donde no alcance. Mantenga el equilibrio en todo momento. Asegúrese siempre de que en pendientes apoya bien los pies. Camine, nunca corra.
2. Detenga el cortacésped y retire la llave de bloqueo, y asegúrese de que todas las piezas que se mueven se hayan parado completamente:
 - siempre que vaya a dejar el cortacésped,
 - antes de retirar obstrucciones o desatascar la tolva,
 - antes de comprobar, limpiar o trabajar en el cortacésped,
 - después de haber golpeado un objeto extraño. Inspeccione el cortacésped por si está dañado y haga las reparaciones antes de volver a poner en marcha y utilizar el cortacésped,
 - siempre que el cortacésped comience a vibrar de forma anormal.
3. No utilice nunca el cortacésped con protectores o escudos defectuosos, o sin los dispositivos de seguridad, por ejemplo, deflectores y/o la cesta para hierba, en su sitio.
4. Evite utilizar el cortacésped en malas condiciones meteorológicas especialmente cuando haya riesgo de relámpagos.
5. Póngase protección para los ojos y zapatos robustos en todo momento mientras maneja el cortacésped.
6. Utilice el cortacésped solamente en luz diurna o con buena luz artificial.
7. Encienda el cortacésped con cuidado de acuerdo con las instrucciones y con los pies bien alejados de la(s) cuchilla(s).
8. Tenga cuidado de no herirse los pies y las manos con las cuchillas de cortacésped.
9. Asegúrese siempre de que las aberturas de ventilación están libres de residuos.
10. Siga a través de la cara de la pendiente, nunca de arriba a abajo. Extreme las precauciones cuando cambie de dirección en pendientes. No siga en cuestas empinadas excesivamente.
11. Utilice mucha precaución cuando retroceda o tire del cortacésped hacia usted.
12. Detenga la(s) cuchilla(s) si el cortacésped tiene que ser inclinado para transportarlo cuando atravesase superficies que no sean de hierba, y cuando transporte el cortacésped hasta o desde el área donde lo utiliza.
13. No incline el cortacésped cuando vaya a encender el motor, excepto si el cortacésped tiene que ser inclinado para arrancarlo. En este caso, no lo incline más de lo absolutamente necesario y levante solamente la parte que está alejada del operario. Asegúrese siempre de que ambas manos están en la posición de operación antes de volver a poner el cortacésped en el suelo.
14. No ponga las manos ni los pies cerca o debajo de las piezas giratorias. Manténgase alejado de la abertura de descarga en todo momento.
15. No transporte el cortacésped mientras el cortacésped está encendido.
16. Evite utilizar el cortacésped en hierba mojada.
17. No utilice nunca el cortacésped en la lluvia.
18. Sujete siempre firmemente el asidero.

19. **No agarre las cuchillas de corte o bordes de corte expuestos cuando recoja o sujete el cortacésped.**
20. **Mantenga las manos y los pies alejados de las cuchillas giratorias.** Precaución - Las cuchillas siguen girando por inercia después de apagar el cortacésped.
21. **Detenga la operación inmediatamente si nota algo inusual.** Apague el cortacésped y retire la llave de bloqueo. Después inspeccione el cortacésped.
22. **No intente nunca realizar ajustes de altura de corte mientras el cortacésped está en marcha si el cortacésped tiene función de ajuste de altura de corte.**
23. **Suelte la palanca interruptor y espere a que la cuchilla deje de girar antes de cruzar caminos de acceso, paseos, carreteras, o cualquier área cubierta con gravilla.** Retire también la llave de bloqueo si deja el cortacésped, si se adelanta para recoger o retirar algo del camino, o por cualquier otra razón que pueda distraerle de lo que está haciendo.
24. **Si el cortacésped golpea un objeto extraño, siga estos pasos:**
 - Detenga el cortacésped, suelte la palanca interruptor y espere hasta que la cuchilla se haya detenido completamente.
 - Retire la llave de bloqueo y el cartucho de batería.
 - Inspeccione detenidamente el cortacésped por si tiene algún daño.
 - Reemplace la cuchilla si tiene cualquier tipo de daño. Repare cualquier daño antes de volver a poner en marcha y continuar utilizando el cortacésped.
25. **No ponga en marcha el cortacésped cuando se encuentre enfrente de la abertura de descarga.**
26. **Si el cortacésped comienza a vibrar anormalmente (compruebe inmediatamente)**
 - inspeccione por si hay daños,
 - sustituya o repare cualquier pieza dañada,
 - compruebe si hay alguna pieza floja y apriétela.
27. **No dirija el material expulsado hacia alguien.** Evite expulsar material contra una pared u obstrucción. El material puede rebotar hacia el operario. Detenga la cuchilla cuando cruce superficies de grava.
28. **No tire del cortacésped hacia atrás a menos que sea absolutamente necesario.** Cuando se vea obligado a retroceder el cortacésped desde una valla u otra obstrucción similar, mire hacia abajo y hacia atrás antes y mientras se mueve hacia atrás.
29. **Apague el motor y espere hasta que la cuchilla se haya parado completamente antes de retirar el receptor de hierba.** Tenga en cuenta que las cuchillas continúan moviéndose después de apagar.

Mantenimiento y almacenamiento

1. **Sustituya las piezas gastadas o dañadas por seguridad. Utilice solamente piezas de repuesto y accesorios genuinos.**
2. **Inspeccione y haga el mantenimiento al cortacésped regularmente.**
3. **Cuando no se esté utilizando, guarde el cortacésped fuera del alcance de los niños.**
4. **Mantenga todas las tuercas, pernos y tornillos apretados para asegurarse de que el equipo está en condiciones de trabajo seguras.**
5. **Compruebe la cesta para hierba con frecuencia por si está desgastada o deteriorada.** Al almacenar, asegúrese siempre de que la cesta para hierba está vacía. Reemplace la cesta para hierba si está gastada con una de recambio nueva de fábrica por seguridad.
6. **Utilice solamente las cuchillas genuinas del fabricante especificadas en este manual.**
7. **Tenga cuidado durante el ajuste del cortacésped para evitar pillarse los dedos entre las cuchillas que se mueven y las piezas fijas del cortacésped.**
8. **No lave la herramienta con una manguera; evite mojar el motor y las conexiones eléctricas.**
9. **Compruebe el perno de montaje de la cuchilla a intervalos frecuentes para ver que está bien apretado.**
10. **Deje siempre que el cortacésped se enfríe antes de almacenarlo.**
11. **Cuando haga el mantenimiento a las cuchillas, sea consciente de que, aunque la fuente de alimentación esté apagada, las cuchillas todavía se pueden mover.**
12. **No retire ni manipule nunca los dispositivos de seguridad.** Compruebe su correcto funcionamiento regularmente. **No haga nunca nada que interfiera con la función prevista del dispositivo de seguridad ni reduzca la protección proporcionada por el dispositivo de seguridad.**

Utilización y cuidado de la herramienta a batería

1. **Cargue la batería solamente con el cargador especificado por el fabricante.** Un cargador que es apropiado para un tipo de batería puede crear un riesgo de incendio cuando se utiliza con otra batería.
2. **Utilice las herramientas eléctricas solamente con las baterías designadas específicamente para ellas.** La utilización de cualquier otra batería puede crear un riesgo de heridas o incendio.
3. **Cuando la batería no esté siendo utilizada, guárdela alejada de otros objetos metálicos, como sujetapapeles, monedas, llaves, clavos, tornillos u otros objetos metálicos pequeños, que puedan hacer conexión entre un terminal y el otro.** Si se cortocircuitan entre sí los terminales de la batería podrán producirse quemaduras o un incendio.
4. **En condiciones abusivas, es posible que salga expulsado líquido de la batería; evite el contacto con él.** Si se produce un contacto accidental, enjuague con agua. **Si el líquido entra en los ojos, además de enjuagarlos, solicite asistencia médica.** El líquido expulsado de la batería puede ocasionar irritación y quemaduras.
5. **No utilice una batería o herramienta que esté dañada o modificada.** Las baterías dañadas o modificadas pueden comportarse de forma impredecible resultando en un incendio, explosión o riesgo de heridas.
6. **No ponga una batería o herramienta al fuego o a temperatura excesiva.** La exposición al fuego o a una temperatura superior a los 130 °C puede ocasionar una explosión.

7. **Siga todas las instrucciones de carga y no cargue la batería o la herramienta fuera del rango de temperatura especificado en las instrucciones.** Cargar incorrectamente o a temperaturas fuera del rango especificado puede dañar la batería y aumentar el riesgo de incendio.
5. **No cortocircuite el cartucho de batería:**
 - (1) **No toque los terminales con ningún material conductor.**
 - (2) **Evite guardar el cartucho de batería en un cajón junto con otros objetos metálicos, como clavos, monedas, etc.**
 - (3) **No exponga el cartucho de batería al agua ni a la lluvia.**

Seguridad eléctrica y de la batería

1. **No deseché la batería(s) arrojándola al fuego.** La célula puede explotar. Compruebe los códigos locales por si hay instrucciones para el posible desecho especial.
2. **No abra o mutile la batería(s).** El electrolito liberado es corrosivo y puede ocasionar daño a los ojos o la piel. Puede ser tóxico si se traga.
3. **No cargue la batería bajo la lluvia, o en lugares mojados.**
4. **No cargue la batería en exteriores.**
5. **No maneje el cargador, incluida la clavija del cargador, y los terminales del cargador con las manos mojadas.**

Servicio

1. **Haga que su herramienta eléctrica sea servida por una persona de reparación cualificada utilizando solamente piezas de repuesto idénticas.** De esta forma la herramienta eléctrica seguirá siendo segura.
2. **No haga nunca el mantenimiento a baterías dañadas.** El mantenimiento de las baterías debe ser realizado solamente por el fabricante o proveedores de servicio autorizados.

GUARDE ESTAS INSTRUCCIONES.

⚠ADVERTENCIA: NO deje que la comodidad o familiaridad con el producto (a base de utilizarlo repetidamente) sustituya la estricta observancia de las normas de seguridad para el producto en cuestión.

El MAL USO o el no seguir las normas de seguridad establecidas en este manual de instrucciones podrá ocasionar graves heridas personales.

Instrucciones de seguridad importantes para el cartucho de batería

1. **Antes de utilizar el cartucho de batería, lea todas las instrucciones e indicaciones de precaución sobre (1) el cargador de baterías, (2) la batería, y (3) el producto con el que se utiliza la batería.**
2. **No desensamble ni manipule el cartucho de batería.** Podrá resultar en un incendio, calor excesivo, o una explosión.
3. **Si el tiempo de uso se acorta demasiado, cese la operación inmediatamente.** Podría resultar en un riesgo de recalentamiento, posibles quemaduras e incluso una explosión.
4. **Si entra electrolito en sus ojos, aclárelos con agua limpia y acuda a un médico inmediatamente.** Existe el riesgo de poder perder la vista.
5. **No toque el terminal de la herramienta inmediatamente después de utilizar, dado que puede calentarse lo suficiente como para ocasionar quemaduras.**
6. **No permita que virutas, polvo, o tierra se adhieran dentro de los terminales, orificios, y ranuras del cartucho de batería.** Podría resultar en un mal rendimiento o rotura de la herramienta o el cartucho de batería.
7. **Nunca incinere el cartucho de batería incluso en el caso de que esté dañado seriamente o ya no sirva en absoluto.** El cartucho de batería puede explotar si se tira al fuego.
8. **No clave, corte, aplaste, lance, deje caer el cartucho de batería, ni golpee contra un objeto duro el cartucho de batería.** Tal conducta podrá resultar en un incendio, calor excesivo, o una explosión.
9. **No utilice una batería dañada.**
10. **Las baterías de litio-ion contenidas están sujetas a los requisitos de la Legislación para Materiales Peligrosos.** Para transportes comerciales, p.ej., por terceras personas y agentes de transportes, se deberán observar requisitos especiales para el empaquetado y etiquetado. Para la preparación del artículo que se va a enviar, se requiere consultar con un experto en materiales peligrosos. Por favor, observe también la posibilidad de reglamentos nacionales más detallados. Cubra con cinta aislante o enmascare los contactos expuestos y empaque la batería de tal manera que no se pueda mover alrededor dentro del embalaje.
11. **Para desechar el cartucho de batería, retírelo de la herramienta y deséchelo en un lugar seguro.** Siga los reglamentos locales referentes al desecho de la batería.
12. **Utilice las baterías solamente con los productos especificados por Makita.** La instalación de las baterías en productos no compatibles puede resultar en un incendio, calor excesivo, explosión, o fuga de electrolito.
13. **Si la herramienta no va a ser utilizada durante un periodo de tiempo largo, la batería deberá ser retirada de la herramienta.**
14. **Durante y después de la utilización, el cartucho de batería podrá acumular calor, lo cual puede ocasionar quemaduras o quemaduras de baja temperatura.** Preste atención al manejo de cartuchos de batería calientes.
15. **No toque el terminal de la herramienta inmediatamente después de utilizar, dado que puede calentarse lo suficiente como para ocasionar quemaduras.**
16. **No permita que virutas, polvo, o tierra se adhieran dentro de los terminales, orificios, y ranuras del cartucho de batería.** Podría resultar en un mal rendimiento o rotura de la herramienta o el cartucho de batería.

17. **A menos que la herramienta pueda utilizarse cerca de cables eléctricos de alta tensión, no utilice el cartucho de batería cerca de cables eléctricos de alta tensión.** Podrá resultar en un mal funcionamiento o rotura de la herramienta o el cartucho de batería.
18. **Mantenga la batería alejada de los niños.**

GUARDE ESTAS INSTRUCCIONES.

⚠PRECAUCIÓN: Utilice solamente baterías genuinas de Makita. La utilización de baterías no genuinas de Makita, o baterías que han sido alteradas, puede resultar en una explosión de la batería ocasionando incendios, heridas personales y daños. También anulará la garantía de Makita para la herramienta y el cargador de Makita.

Consejos para alargar al máximo la vida de servicio de la batería

1. **Cargue el cartucho de batería antes de que se descargue completamente. Detenga siempre la operación y cargue el cartucho de batería cuando note menos potencia en la herramienta.**
2. **No cargue nunca un cartucho de batería que esté completamente cargado. La sobrecarga acortará la vida de servicio de la batería.**
3. **Cargue el cartucho de batería a temperatura ambiente de 10 °C - 40 °C. Si un cartucho de batería está caliente, déjelo enfriar antes de cargarlo.**
4. **Cuando no esté utilizando el cartucho de batería, retírelo de la herramienta o del cargador.**
5. **Cargue el cartucho de batería si no lo utiliza durante un periodo de tiempo prolongado (más de seis meses).**

MONTAJE

⚠ADVERTENCIA: Asegúrese siempre de que la llave de bloqueo y el cartucho de batería han sido retirados antes de realizar cualquier trabajo en el cortacésped. Si no retira la llave de bloqueo y el cartucho de batería podrá resultar en graves heridas personales a causa de un arranque accidental.

⚠ADVERTENCIA: No ponga nunca en marcha el cortacésped a menos que esté completamente ensamblado. La utilización de la máquina en un estado parcialmente ensamblado podrá resultar en graves heridas personales a causa de un arranque accidental.

Instalación de la tapa de la batería

⚠ADVERTENCIA: No inserte la llave de bloqueo y el cartucho de batería antes de instalar la tapa de la batería. En caso contrario podrán producirse heridas graves.

Instale la tapa de la batería completamente antes de la operación. La tapa de la batería protege el cortacésped y el cartucho de batería del barro, la suciedad y el agua.

1. Coloque la tapa de la batería con los salientes en el cortacésped alineados con los orificios en la tapa de la batería.

► **Fig.1:** 1. Saliente 2. Orificio 3. Tapa de la batería

2. Coloque las manos en el medio de la tapa de la batería y presiónela.

► **Fig.2**

3. Antes de realizar la primera operación, compruebe que el punto de pivote de la tapa de la batería está colocado debidamente. Si la tapa de la batería está instalada correctamente, no se abrirá hasta que se tire de la palanca de bloqueo de la tapa de la batería.

► **Fig.3:** 1. Punto de pivote 2. Palanca de bloqueo de la tapa de la batería

Instalación del asidero

AVISO: Cuando instale los asideros, posicione los cables de forma que no sean pillados con ninguna cosa entre los asideros. Si el cable está dañado, es posible que el interruptor del cortacésped no responda.

1. Deslice ambos extremos del asidero inferior hacia dentro de las ranuras del cortacésped y después apriete los tornillos de apriete completamente.

► **Fig.4:** 1. Tornillo de apriete 2. Asidero inferior

2. Alinee los orificios para tornillos del asidero superior y asidero inferior. Sujételos con los tornillos y tuercas de apriete.

► **Fig.5:** 1. Tuerca de apriete 2. Tornillo de apriete

NOTA: Sujete el asidero superior firmemente de forma que no se le caiga de la mano.

3. Coloque los soportes en el asidero. Posicione el cable de suministro de alimentación como se muestra en la figura.

► **Fig.6:** 1. Soporte

Desmontaje de la tapadera de mullidor

Accesorio opcional

1. Abra la cubierta posterior.

► **Fig.7:** 1. Cubierta posterior

2. Sujete la tapadera de mullidor por el asidero, y después extráigala del cuerpo del cortacésped como se muestra en la figura.

► **Fig.8:** 1. Tapadera de mullidor 2. Asidero

Instalación de la cesta para hierba

1. Abra la cubierta posterior.

► **Fig.9:** 1. Cubierta posterior

2. Enganche la cesta para hierba en el vástago del cuerpo del cortacésped como se muestra en la figura.

► **Fig.10:** 1. Gancho 2. Vástago 3. Cesta para hierba

Colocación de la tapadera de mullidor

Accesorio opcional

1. Abra la cubierta posterior, y después retire la cesta para hierba.
► **Fig.11:** 1. Cubierta posterior 2. Cesta para hierba
2. Sujete la tapadera de mullidor por el asidero, y después colóquela en el cuerpo del cortacésped como se muestra en la figura.
► **Fig.12:** 1. Tapadera de mullidor 2. Asidero

DESCRIPCIÓN DEL FUNCIONAMIENTO

Instalación o extracción del cartucho de batería

⚠PRECAUCIÓN: Apague siempre la máquina antes de instalar o retirar el cartucho de batería.

⚠PRECAUCIÓN: Asegúrese de que ha bloqueado la tapa de la batería antes de la utilización. De lo contrario, el barro, la suciedad o el agua podrán ocasionar daños a la herramienta o al cartucho de batería.

⚠PRECAUCIÓN: Instale siempre el cartucho de batería completamente hasta que no pueda verse el indicador rojo. En caso contrario, podrá caerse accidentalmente de la máquina y ocasionarle heridas a usted o a alguien alrededor de usted.

⚠PRECAUCIÓN: No instale el cartucho de batería empleando fuerza. Si el cartucho no se desliza al interior fácilmente, será porque no está siendo insertado correctamente.

NOTA: La máquina no funciona con un cartucho de batería solamente.

Para instalar el cartucho de batería;

1. Deslice la palanca de bloqueo de la tapa de la batería y abra la tapa de la batería.
► **Fig.13:** 1. Tapa de la batería 2. Palanca de bloqueo de la tapa de la batería
2. Alinee la lengüeta del cartucho de batería con la ranura en el cortacésped y después deslice el cartucho hasta que se bloquee en su sitio con un pequeño chasquido.
► **Fig.14:** 1. Cartucho de batería
3. Inserte la llave de bloqueo en el lugar mostrado en la figura a tope.
► **Fig.15:** 1. Llave de bloqueo
4. Cierre la tapa de la batería y presiónela hasta que se quede trincada con la palanca de bloqueo.

Para retirar el cartucho de batería del cortacésped;

1. Deslice la palanca de bloqueo de la tapa de la batería y abra la tapa de la batería.
2. Saque el cartucho de batería del cortacésped mientras desliza el botón de la parte frontal del cartucho.
3. Saque la llave de bloqueo.
4. Cierre la tapa de la batería.

Sistema de protección de la máquina/batería

La máquina está equipada con un sistema de protección de la máquina/batería. Este sistema corta automáticamente la alimentación del motor para alargar la vida útil de la herramienta y la batería. La máquina se detendrá automáticamente durante la operación si la máquina o la batería es puesta en una de las condiciones siguientes.

Protección contra sobrecarga

Cuando la máquina sea operada de manera que le haga absorber una corriente anormalmente alta, la máquina se parará automáticamente sin ninguna indicación. En esta situación, apague la máquina y detenga la tarea que ocasiona la sobrecarga de la máquina. Después encienda la máquina para volver a empezar.

Protección contra el recalentamiento

Cuando la máquina se recalienta, la máquina se detiene automáticamente. Deje que la máquina se enfríe antes de encenderla otra vez.

Protección contra descarga excesiva

Cuando la capacidad de batería sea baja, la máquina se detendrá automáticamente. Si el producto no funciona aun cuando los interruptores sean accionados, retire las baterías de la máquina y cárguelas.

Modo de indicar la capacidad de batería restante

► **Fig.16:** 1. Indicador de batería

Cuando la capacidad de batería restante se vuelve baja, el indicador de batería parpadea en el lado de la batería aplicable. Si se sigue utilizando, la máquina se detendrá y el indicador de batería se iluminará durante unos 10 segundos. En esta situación, cargue el cartucho de batería.

Modo de indicar la capacidad de batería restante

Solamente para cartuchos de batería con el indicador

► **Fig.17:** 1. Lámparas indicadoras 2. Botón de comprobación

Presione el botón de comprobación en el cartucho de batería para indicar la capacidad de batería restante. Las lámparas indicadoras se iluminan durante unos pocos segundos.

Lámparas indicadoras			Capacidad restante
Iluminada	Apagada	Parpadeando	
■	□	▧	75% a 100%
■ ■ ■ ■			
■ ■ ■ ■	□		50% a 75%
■ ■ ■ ■	□ □		25% a 50%
■ ■ ■ ■	□ □ □ □		0% a 25%
▧	□ □ □ □		Cargue la batería.
■ ■ ■ ■	□ □ □ □	↑ ↓	Puede que la batería no esté funcionando bien.

NOTA: Dependiendo de las condiciones de utilización y de la temperatura ambiente, la indicación podrá variar ligeramente de la capacidad real.

Accionamiento del interruptor

ADVERTENCIA: Antes de instalar el cartucho de batería, compruebe siempre para cerciorarse de que la palanca interruptor se acciona debidamente y que vuelve a la posición original cuando la suelta. La utilización de una máquina con un interruptor que no se acciona debidamente puede dar lugar a la pérdida de control y graves heridas personales.

NOTA: El cortacésped no se pone en marcha sin apretar el botón interruptor aunque se apriete la palanca interruptor.

NOTA: Es posible que el cortacésped no se ponga en marcha debido a la sobrecarga cuando usted intente segar hierba larga o densa de una vez. En este caso aumente la altura de siega.

Este cortacésped está equipado con un interruptor de enclavamiento e interruptor de asidero. Si nota algo inusual con cualquiera de estos interruptores, detenga la operación inmediatamente y haga que se los comprueben en el centro de servicio autorizado Makita más cercano.

1. Instale los cartuchos de batería. Inserte la llave de bloqueo en el interruptor de enclavamiento y después cierre la tapa de la batería.

► **Fig.18:** 1. Cartucho de batería 2. Llave de bloqueo

2. Presione el botón interruptor para sujetarlo.

3. Agarre el asidero superior y apriete la palanca interruptor.

► **Fig.19:** 1. Botón interruptor 2. Palanca interruptor

4. Suelte el botón interruptor tan pronto como el motor se ponga en marcha. El cortacésped continuará en marcha hasta que suelte la palanca interruptor.

5. Suelte la palanca interruptor para parar el motor.

Ajuste de la altura de siega

ADVERTENCIA: No ponga nunca su mano o pierna debajo del cuerpo del cortacésped cuando ajuste la altura de siega.

ADVERTENCIA: Asegúrese siempre de que la palanca encaja en la ranura debidamente antes de la operación.

La altura de siega se puede ajustar en el rango de entre 20 mm y 75 mm.

1. Retire la llave de bloqueo.

2. Tire de la palanca de ajuste de la altura de siega hacia afuera del cuerpo del cortacésped y muévala hasta la altura de siega que quiera.

► **Fig.20:** 1. Palanca de ajuste de la altura de siega

NOTA: Las cifras de altura de siega deben ser utilizadas solamente como guía. Dependiendo de las condiciones del césped o el suelo, la altura real del césped podrá ser ligeramente diferente de la altura ajustada.

NOTA: Realice una prueba segando hierba en un lugar menos notorio para obtener la altura deseada.

Indicador del nivel de la hierba

► **Fig.21:** 1. Indicador del nivel de la hierba

El indicador del nivel de la hierba muestra el volumen de la hierba segada.

- Cuando la cesta para hierba no está llena, el indicador flota durante la siega.
- Cuando la cesta para hierba está llena, el indicador no flota durante la siega. En este caso, detenga la siega inmediatamente y vacíe la cesta. Después de vaciar la cesta, límpiela de forma que su malla ventile el aire.

NOTA: Este indicador es una guía aproximada. Dependiendo de las condiciones del interior de la cesta, este indicador puede no funcionar debidamente.

Utilización de la tapadera de mullidor

Accesorio opcional

La tapadera de mullidor le permite devolver la hierba cortada al suelo sin recogerla en la cesta para hierba. Cuando utilice la máquina con la tapadera de mullidor, asegúrese de retirar la cesta para hierba.

AVISO: Cuando utilice la máquina con la tapadera de mullidor, asegúrese de que la longitud total de la hierba después de cortar es de 30 mm o más, y que la longitud cortada es de 15 mm o menos.

► **Fig.22:** (1) 30 mm o más (2) 15 mm o menos

OPERACIÓN

Siega

⚠️ ADVERTENCIA: Antes de segar, retire los palos y piedras del área de la siega. Además, retire cualquier maleza del área de la siega de antemano.

⚠️ ADVERTENCIA: Póngase siempre gafas de seguridad o gafas de protección con escudos laterales cuando utilice el cortacésped.

⚠️ PRECAUCIÓN: Si la hierba cortada o un objeto extraño bloquea el interior del cuerpo del cortacésped, asegúrese de retirar la llave de bloqueo y el cartucho de batería y de ponerse guantes antes de retirar la hierba u objeto extraño.

AVISO: Utilice esta máquina solamente para segar césped. No siegue maleza con esta máquina.

► Fig.23

Sujete firmemente el asidero con ambas manos cuando siegue.

La pauta de la velocidad de segado es aproximadamente 1 metro por 4 segundos.

► Fig.24

Los bordes exteriores de las ruedas delanteras sirven de guías para la anchura de segado. Utilizando los bordes exteriores de las ruedas delanteras como guías, siegue en franjas. Solape la mitad o un tercio de la franja anterior para segar el césped uniformemente.

► Fig.25: 1. Anchura de segado 2. Área de solapamiento 3. Borde exterior

Cambie la dirección del segado cada vez para evitar que el patrón de crecimiento de la hierba se forme en una dirección solamente.

► Fig.26

Compruebe periódicamente la cesta para hierba para ver la hierba segada. Vacíe la cesta para hierba antes de que se llene. Antes de cada comprobación periódica, asegúrese de parar el cortacésped y después retirar la llave de bloqueo y el cartucho de batería.

AVISO: La utilización del cortacésped con la cesta para hierba llena impide el giro uniforme de la cuchilla y añade una carga extra al motor, que puede ocasionar una avería.

Siega de un césped largo

No intente cortar hierba larga de una sola vez. En su lugar, siegue el césped en varias pasadas. Deje un día o dos entre las siegas, hasta que el césped esté uniformemente corto.

NOTA: El segar hierba larga a una longitud corta de una sola vez puede ocasionar que la hierba se muera. La hierba cortada también podrá bloquear el interior del cuerpo del cortacésped.

Vaciado de la cesta para hierba

⚠️ ADVERTENCIA: Para reducir el riesgo de un accidente, compruebe regularmente la cesta para hierba por si tiene algún daño o resistencia debilitada. Reemplace la cesta para hierba si es necesario.

1. Suelte la palanca interruptor.
2. Retire la llave de bloqueo.
3. Abra la cubierta posterior y extraiga la cesta para hierba sujetando el mango.
► Fig.27: 1. Cubierta posterior 2. Asidero
4. Vacíe la cesta para hierba.

MANTENIMIENTO

⚠️ ADVERTENCIA: Asegúrese siempre de que la llave de bloqueo y el cartucho de batería han sido retirados del cortacésped antes de almacenar o transportar el cortacésped o intentar realizar la inspección o el mantenimiento.

⚠️ ADVERTENCIA: Retire siempre la llave de bloqueo cuando el cortacésped no esté siendo utilizado. Almacene la llave de bloqueo en un lugar seguro fuera del alcance de los niños.

⚠️ ADVERTENCIA: Póngase guantes cuando realice la inspección o el mantenimiento.

⚠️ ADVERTENCIA: Póngase siempre gafas de seguridad o gafas de protección con escudos laterales cuando realice la inspección o el mantenimiento.

AVISO: No utilice nunca gasolina, bencina, disolvente, alcohol o similares. Podría producir descoloración, deformación o grietas.

Para mantener la SEGURIDAD y FIABILIDAD del producto, las reparaciones, y cualquier otra tarea de mantenimiento o ajuste deberán ser realizadas en centros de servicio o de fábrica autorizados por Makita, empleando siempre repuestos Makita.

Mantenimiento

1. Retire la llave de bloqueo. Almacénela en un lugar seguro fuera del alcance de los niños.
2. Limpie el cortacésped utilizando solamente un paño humedecido. No pulverice ni vierta agua sobre el cortacésped cuando lo limpie.
3. Ponga el cortacésped sobre su costado y limpie los recortes de hierba acumulados en la parte inferior del bastidor del cortacésped.
4. Compruebe todas las tuercas, pernos, pomos, tornillos, sujetadores, etc. para ver que están bien apretados.
5. Inspeccione las piezas que se mueven para ver si están dañadas, rotas, y gastadas. Las partes dañadas o perdidas deberán ser reparadas o reemplazadas.

Almacenamiento

⚠ADVERTENCIA: Cuando transporte o almacene el cortacésped, no sujete por los asideros plegados sino por la empuñadura delantera del cortacésped. Si sujeta por los asideros plegados podrá ocasionar una herida grave o daños al cortacésped.

Antes de almacenar el cortacésped, retire el cartucho de batería y la llave de bloqueo.

Almacene el cortacésped en interiores en un lugar fresco, seco y cerrado con llave. No almacene el cortacésped y el cargador en lugares donde la temperatura pueda alcanzar o exceder los 40 °C.

► **Fig.28:** 1. Empuñadura delantera 2. Empuñadura trasera

1. Afloje los tornillos de apriete y expanda el asidero inferior a ambos lados. Baje el asidero hacia adelante. Ahora, empuje el asidero inferior firmemente de forma que el asidero no caiga en el lado alejado del cuerpo del cortacésped.

► **Fig.29:** 1. Tornillo de apriete 2. Asidero inferior

2. Afloje las tuercas de apriete y pivote el asidero superior hacia atrás mientras expande ambos lados.

► **Fig.30:** 1. Tuerca de apriete 2. Asidero superior

3. Almacene la cesta para hierba entre el asidero y el cuerpo del cortacésped.

► **Fig.31:** 1. Cesta para hierba

NOTA: Cuando ponga el cortacésped en posición vertical, no sujete por el asidero sino que utilice la empuñadura delantera del cortacésped.

Desmontaje o instalación de la cuchilla de cortacésped

⚠ADVERTENCIA: Retire siempre la llave de bloqueo y el cartucho de batería cuando vaya a desmontar o instalar la cuchilla. Si no retira la llave de bloqueo y el cartucho de batería podrá ocasionar una herida grave.

⚠ADVERTENCIA: La cuchilla sigue girando por inercia durante unos cuantos segundos después de soltar el interruptor. No comience ninguna operación hasta que la cuchilla se haya detenido completamente.

⚠ADVERTENCIA: Póngase siempre guantes cuando maneje la cuchilla.

Desmontaje de la cuchilla de cortacésped

Para DLM382

1. Ponga el cortacésped sobre su costado de forma que la palanca de ajuste de la altura de siega quede en el lado superior.

2. Para bloquear el giro de la cuchilla, inserte un destornillador o herramienta similar en un orificio del cuerpo del cortacésped.

3. Gire el perno hacia la izquierda con la llave.

► **Fig.32:** 1. Cuchilla de cortacésped 2. Destornillador 3. Llave

4. Retire el perno y la cuchilla en orden.

► **Fig.33:** 1. Soporte de la cuchilla 2. Cuchilla de cortacésped 3. Perno

Para DLM432

1. Ponga el cortacésped sobre su costado de forma que la palanca de ajuste de la altura de siega quede en el lado superior.

2. Para bloquear el giro de la cuchilla, inserte un destornillador o herramienta similar en un orificio del cuerpo del cortacésped.

3. Gire el perno hacia la izquierda con la llave.

► **Fig.34:** 1. Cuchilla de cortacésped 2. Destornillador 3. Llave

4. Retire el perno, la brida exterior, la cuchilla de cortacésped, y la brida interior en orden.

► **Fig.35:** 1. Brida interior 2. Cuchilla de cortacésped 3. Brida exterior 4. Perno

Instalación de la cuchilla de cortacésped

Para instalar la cuchilla de cortacésped, siga el procedimiento de desmontaje a la inversa.

⚠ADVERTENCIA: Instale la cuchilla de cortacésped con cuidado. Ésta tiene una orientación hacia arriba/abajo. Ponga la cuchilla de forma que la flecha de dirección de giro quede orientada hacia afuera.

⚠ADVERTENCIA: Apriete el perno girándolo hacia la derecha firmemente para sujetar la cuchilla.

⚠ADVERTENCIA: Asegúrese de que la cuchilla de cortacésped y todas las partes de fijación están instaladas correctamente y apretadas firmemente.

⚠ADVERTENCIA: Cuando reemplace las cuchillas, siga siempre las instrucciones provistas en este manual.

SOLUCIÓN DE PROBLEMAS

Antes de solicitar reparaciones, realice su propia inspección en primer lugar. Si encuentra un problema que no está explicado en el manual, no intente desmontar la herramienta. En su lugar, pregunte en los centros de servicio autorizados Makita, utilizando siempre piezas de recambio Makita para las reparaciones.

Estado de anomalía	Causa probable (mal funcionamiento)	Remedio
El cortacésped no se pone en marcha.	No hay instalados dos cartuchos de batería.	Instale los cartuchos de batería cargados.
	Problema de batería (poca tensión)	Recargue el cartucho de batería. Si la recarga no se realiza efectivamente, reemplace el cartucho de batería.
	La llave de bloqueo no está insertada.	Inserte la llave de bloqueo.
El motor se para después de usarlo un poco.	El nivel de carga de la batería es bajo.	Recargue el cartucho de batería. Si la recarga no se realiza efectivamente, reemplace el cartucho de batería.
	La altura de corte es muy baja.	Aumente la altura de corte.
El motor no alcanza el máximo de RPM.	El cartucho de batería está instalado incorrectamente.	Instale el cartucho de batería como se describe en este manual.
	La potencia de la batería está cayendo.	Recargue el cartucho de batería. Si la recarga no se realiza efectivamente, reemplace el cartucho de batería.
	El sistema de accionamiento no funciona correctamente.	Pida a su centro de servicio autorizado local que se lo reparen.
La cuchilla de cortacésped no gira: ⇒ ¡detenga el cortacésped inmediatamente!	Se han atascado objetos extraños tales como una rama cerca de la cuchilla.	Retire el objeto extraño.
	El sistema de accionamiento no funciona correctamente.	Pida a su centro de servicio autorizado local que se lo reparen.
Vibración anormal: ⇒ ¡detenga el cortacésped inmediatamente!	La cuchilla está desequilibrada, excesivamente o desigualmente gastada.	Reemplace la cuchilla.

ACCESORIOS OPCIONALES

⚠PRECAUCIÓN: Estos accesorios o aditamentos están recomendados para su uso con la herramienta Makita especificada en este manual.

El uso de cualquier otro accesorio o aditamento puede suponer un riesgo de heridas personales. Utilice el accesorio o aditamento solamente con la finalidad indicada para el mismo.

Si necesita cualquier ayuda para más detalles en relación con estos accesorios, pregunte al centro de servicio Makita local.

- Cuchilla de cortacésped
- Tapadera de mulldor
- Batería y cargador genuinos de Makita

NOTA: Algunos elementos de la lista podrán estar incluidos en el paquete de la herramienta como accesorios estándar. Pueden variar de un país a otro.

ESPECIFICAÇÕES

Modelo:	DLM382	DLM432	
Largura do corte de relva (diâmetro da lâmina)	380 mm	430 mm	
Velocidade em vazio	3.700 min ⁻¹	3.600 min ⁻¹	
Número de peça da lâmina do cortador de relva sobresselente	191D41-2	191D43-8	
Dimensões (C x L x A)	durante a operação	C: 1.380 mm a 1.410 mm L: 450 mm A: 985 mm a 1.005 mm	C: 1.435 mm a 1.490 mm L: 460 mm A: 1.005 mm a 1.045 mm
	quando armazenado (sem coletor de relva)	860 mm x 450 mm x 475 mm	865 mm x 460 mm x 475 mm
Tensão nominal	C.C. 36 V		
Peso líquido	15,0 - 16,5 kg	15,4 - 17,1 kg	

- Devido a um programa contínuo de pesquisa e desenvolvimento, estas especificações estão sujeitas a alteração sem aviso prévio.
- As especificações podem variar de país para país.
- O peso poderá diferir em função do acessório(s), incluindo a bateria. A combinação mais leve e mais pesada, de acordo com o Procedimento EPTA 01/2014, é apresentada na tabela.

Bateria e carregador aplicável

Bateria	BL1815N / BL1820 / BL1820B / BL1830 / BL1830B / BL1840 / BL1840B / BL1850 / BL1850B / BL1860B
Carregador	DC18RC / DC18RD / DC18RE / DC18SD / DC18SE / DC18SF / DC18SH

- Algumas das baterias e carregadores listados acima poderão não estar disponíveis, dependendo da sua região de residência.

⚠ AVISO: Utilize apenas as baterias e carregadores listados acima. A utilização de quaisquer outras baterias e carregadores pode causar ferimentos e/ou um incêndio.

⚠ AVISO: Não utilize uma fonte de alimentação com fio como um adaptador da bateria ou adaptador de baterias tipo mochila com esta máquina. O cabo de tal fonte de alimentação pode impedir a operação e resultar em ferimentos pessoais.

Símbolos

A seguir são apresentados os símbolos que podem ser utilizados para o equipamento. Certifique-se de que compreende o seu significado antes da utilização.

	Tenha especial cuidado e atenção.
	Leia o manual de instruções.
	Perigo; cuidado com os objetos arremessados.
	Deve-se manter uma distância de pelo menos 15 m entre a ferramenta e os espetadores.
	Nunca aproxime as mãos ou os pés da lâmina localizada em baixo do cortador de relva. As lâminas continuam a rodar depois de desligar o motor.



Remova a chave de segurança antes de realizar qualquer inspeção, ajuste, limpeza ou manutenção e antes de sair de ao pé do cortador de relva ou quando o armazenar.



Apenas para países da UE
Não elimine equipamentos elétricos ou baterias juntamente com o material residual doméstico!
Em cumprimento com as Diretivas Europeias relativas aos resíduos de equipamentos elétricos e eletrónicos e pilhas e acumuladores e baterias e acumuladores e resíduos de pilhas e acumuladores e a sua implementação de acordo com as leis nacionais, o equipamento elétrico e as baterias e pacote(s) de bateria(s) que atingiram o fim de vida têm de ser recolhidos separadamente e devolvidos a instalações de reciclagem compatíveis a nível ambiental.

Utilização a que se destina

A máquina serve para cortar a relva.

Ruído

A característica do nível de ruído A determinado de acordo com a EN60335-2-77:

Modelo DLM382

Nível de pressão acústica (L_{pA}): 81 dB (A)

Nível de potência acústica (L_{WA}): 91 dB (A)

Variabilidade (K): 3 dB (A)

Modelo DLM432

Nível de pressão acústica (L_{pA}): 81 dB (A)

Nível de potência acústica (L_{WA}): 92 dB (A)

Variabilidade (K): 3 dB (A)

NOTA: O(s) valor(es) da emissão de ruído indicado(s) foi medido de acordo com um método de teste padrão e pode ser utilizado para comparar duas ferramentas.

NOTA: O(s) valor(es) da emissão de ruído indicado(s) pode também ser utilizado na avaliação preliminar da exposição.

AVISO: Utilize protetores auriculares.

AVISO: A emissão de ruído durante a utilização real da ferramenta elétrica pode diferir do(s) valor(es) indicado(s), dependendo das formas como a ferramenta é utilizada, especialmente o tipo de peça de trabalho que é processada.

AVISO: Certifique-se de identificar as medidas de segurança para proteção do operador que sejam baseadas em uma estimativa de exposição em condições reais de utilização (considerando todas as partes do ciclo de operação, tal como quando a ferramenta está desligada e quando está a funcionar em marcha lenta além do tempo de acionamento).

Vibração

Valor total da vibração (soma vetorial tri-axial) determinado de acordo com a EN60335-2-77:

Modelo DLM382

Emissão de vibração (a_h): 2,5 m/s² ou menos

Variabilidade (K): 2,0 m/s²

Modelo DLM432

Emissão de vibração (a_h): 2,5 m/s² ou menos

Variabilidade (K): 1,5 m/s²

NOTA: O(s) valor(es) total(ais) de vibração indicado(s) foi medido de acordo com um método de teste padrão e pode ser utilizado para comparar duas ferramentas.

NOTA: O(s) valor(es) total(ais) de vibração indicado(s) pode também ser utilizado na avaliação preliminar da exposição.

AVISO: A emissão de vibração durante a utilização real da ferramenta elétrica pode diferir do(s) valor(es) indicado(s), dependendo das formas como a ferramenta é utilizada, especialmente o tipo de peça de trabalho que é processada.

AVISO: Certifique-se de identificar as medidas de segurança para proteção do operador que sejam baseadas em uma estimativa de exposição em condições reais de utilização (considerando todas as partes do ciclo de operação, tal como quando a ferramenta está desligada e quando está a funcionar em marcha lenta além do tempo de acionamento).

Declaração de conformidade da CE

Apenas para os países europeus

A declaração de conformidade da CE está incluída como Anexo A neste manual de instruções.

AVISOS DE SEGURANÇA

INSTRUÇÕES DE SEGURANÇA IMPORTANTES

AVISO: Leia todos os avisos de segurança e todas as instruções. O não cumprimento de todos os avisos e instruções pode originar choque elétrico, incêndio e/ou ferimentos graves.

Guarde todos os avisos e instruções para futuras referências.

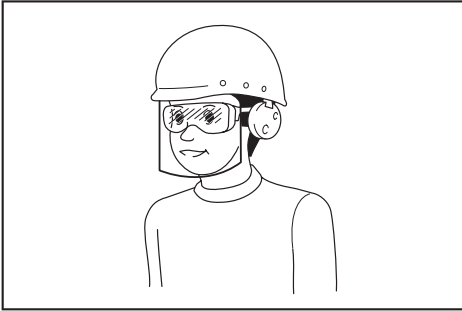
Formação

1. Leia atentamente as instruções. Familiarize-se com os controlos e a utilização adequada do cortador de relva.
2. Nunca permita que crianças nem pessoas não familiarizadas com estas instruções utilizem o cortador de relva. A idade do operador pode ser restringida de acordo com os regulamentos locais.
3. Nunca utilize o cortador de relva se as pessoas, especialmente crianças, ou animais estiverem por perto.
4. Lembre-se de que o operador ou utilizador é responsável por acidentes ou riscos que ocorram a outras pessoas ou que danifiquem a propriedade alheia.
5. Deve supervisionar as crianças para garantir que elas não brincam com o cortador de relva.
6. Condição física - Não opere o cortador de relva se estiver sob a influência de drogas, bebidas alcoólicas ou qualquer medicamento.

Preparação

1. Utilize sempre calçado apropriado e calças compridas quando utilizar o cortador de relva. Não utilize o cortador de relva se estiver descalço ou calçando sandálias abertas. Evite vestir roupas largas, usar joias soltas ou com pingentes ou gravatas. Podem ficar presas nas peças em movimento.
2. Antes da utilização, inspecione sempre visualmente o cortador de relva quanto a resguardos ou protetores danificados, em falta ou mal colocados.
3. Certifique-se de que não há outras pessoas na área antes de cortar a relva. Pare o cortador de relva se alguém entrar na área.
4. Não insira a chave de segurança no cortador de relva antes de estar pronto a ser utilizado.

5. Use sempre óculos de proteção para proteger os seus olhos contra lesões quando utilizar ferramentas elétricas. Os óculos de proteção devem cumprir os requisitos da ANSI Z87.1 nos EUA, EN 166 na Europa ou AS/NZS 1336 na Austrália/Nova Zelândia. Na Austrália/Nova Zelândia, é legalmente obrigatório o uso de um protetor facial para proteger o seu rosto também.



Cabe ao empregador a responsabilidade de impor o uso de equipamentos de proteção e segurança apropriados por parte dos operadores de ferramentas e por parte de outras pessoas na área de trabalho imediata.

6. Verifique cuidadosamente as lâminas ou os Pernos da lâmina para ver se estão rachados ou danificados antes da operação. Substitua imediatamente as lâminas ou os Pernos da lâmina rachados ou danificados.
7. Antes de começar a cortar a relva, remova os objetos estranhos como pedras, fios, garrafas, ossos e paus grandes da área de trabalho para evitar ferimentos pessoais ou danos no cortador de relva.
8. Os objetos atingidos pela lâmina do cortador de relva podem provocar ferimentos graves nas pessoas. O relvado deve ser sempre cuidadosamente inspecionado e limpo de todos os objetos antes de cada corte da relva.
9. Esteja atento a orifícios, sulcos, colisões, rochas ou outros objetos ocultos. O terreno irregular pode provocar um acidente de escorregamento e queda. A relva alta pode ocultar obstáculos.

Operação

1. Não se estique demasiado. Mantenha sempre o equilíbrio. Assegure-se sempre do seu posicionamento em declives. Caminhe, nunca corra.
2. Pare o cortador de relva e remova a chave de segurança, e assegure que todas as peças móveis pararam completamente:
- sempre que se afastar do cortador de relva,
 - antes de limpar bloqueios ou desentupir a saída de relva,
 - antes de verificar, limpar ou trabalhar no cortador de relva,
 - depois de bater num objeto estranho.
- Inspeção o cortador de relva quanto a danos e repare-o antes de reiniciar e operar o cortador de relva,
- sempre que o cortador de relva começar a vibrar de forma invulgar.
3. Nunca opere o cortador de relva com resguardos ou protetores defeituosos ou sem os dispositivos de segurança instalados, por exemplo, os defletores e/ou o coletor de relva.
4. Evite utilizar o cortador de relva em más condições atmosféricas, especialmente quando houver risco de relâmpagos.
5. Use sempre proteção ocular e calçado robusto enquanto opera o cortador de relva.
6. Opere o cortador de relva só durante o dia ou com boa iluminação artificial.
7. Ligue cuidadosamente o cortador de relva, de acordo com as instruções e com os pés bem afastados da(s) lâmina(s).
8. Previna-se contra ferimentos nos pés e nas mãos provocados pelas lâminas do cortador de relva.
9. Garanta sempre que as aberturas de ventilação são mantidas livres de resíduos.
10. Em terrenos inclinados, corte a relva transversalmente, nunca para cima e para baixo. Tenha muito cuidado ao mudar de direção em declives. Não corte relva em terrenos extremamente inclinados.
11. Tenha muito cuidado quando inverter ou puxar o cortador de relva na sua direção.
12. Pare a(s) lâmina(s) se tiver de inclinar o cortador de relva para o transportar quando cruzar áreas não relvadas e quando transportar o cortador de relva de e para a área onde será utilizado.
13. Não incline o cortador de relva quando ligar o motor, a menos que tenha de inclinar o cortador de relva para o ligar. Neste caso, não o incline mais do que o necessário e levante apenas a parte que está afastada do operador. Assegure sempre que tem as duas mãos na posição operacional antes de voltar a colocar o cortador de relva no chão.
14. Não ponha as mãos ou pés perto nem debaixo das peças rotativas. Mantenha-se sempre afastado da abertura de descarga.
15. Não transporte o cortador de relva enquanto está ligado.
16. Evite operar o cortador de relva em relva molhada.
17. Nunca opere o cortador de relva à chuva.
18. Segure o guiador sempre com firmeza.
19. Não agarre nas lâminas de corte expostas nem nos bordos cortantes quando levantar ou segurar o cortador de relva.
20. Mantenha as mãos e os pés afastados das lâminas rotativas. Precaução - As lâminas continuam a rodar depois de desligar o cortador de relva.
21. Pare imediatamente a operação se observar algo fora do normal. Desligue o cortador de relva e remova a chave de segurança. Em seguida, inspecione o cortador de relva.
22. Nunca tente fazer ajustes na altura de corte enquanto o cortador de relva está em funcionamento se o cortador de relva dispuser da funcionalidade de ajuste da altura de corte.

23. **Liberte a alavanca do interruptor e espere que a lâmina pare de rodar antes de atravessar zonas pavimentadas, passeios, ruas ou qualquer área com gravilha. Retire também a chave de segurança quando se afastar do cortador de relva, quando se esticar para apanhar ou remover qualquer objeto do caminho ou por qualquer outro motivo que possa distraí-lo do que está a fazer.**
24. **Se o cortador de relva bater num objeto estranho, siga os passos abaixo:**
 - Pare o cortador de relva, liberte a alavanca do interruptor e aguarde até a lâmina parar completamente.
 - Retire a chave de segurança e a bateria.
 - Inspeccione cuidadosamente o cortador de relva para ver se apresenta algum dano.
 - Substitua a lâmina se apresentar qualquer tipo de dano. Repare qualquer dano antes de reiniciar e continuar a utilizar o cortador de relva.
25. **Não ligue o cortador de relva quando estiver em frente da abertura de descarga.**
26. **Se o cortador de relva começar a vibrar anormalmente (verifique imediatamente)**
 - inspeccione quanto a danos,
 - substitua ou repare as peças danificadas,
 - verifique se há peças soltas e aperte-as.
27. **Nunca aponte o material descarregado na direção de outras pessoas. Evite descarregar material contra uma parede ou obstrução. O material pode fazer ricochete de volta na direção do operador. Pare a lâmina quando cruzar superfícies de gravilha.**
28. **Não puxe o cortador de relva para trás a menos que seja absolutamente necessário.** Quando é obrigado a mover o cortador de relva para trás relativamente a uma cerca ou outra obstrução semelhante, olhe para baixo e para trás antes de se mover para trás e enquanto se move para trás.
29. **Desligue o motor e aguarde até a lâmina parar completamente antes de retirar o apanhador de relva.** Tenha cuidado, pois as lâminas continuam a rodar após desligar.

Manutenção e armazenamento

1. **Como medida de segurança, substitua as peças desgastadas ou danificadas. Utilize apenas acessórios e peças de substituição originais.**
2. **Inspeccione e realize a manutenção do cortador de relva regularmente.**
3. **Quando não estiver em utilização, guarde o cortador de relva fora do alcance das crianças.**
4. **Mantenha todas as porcas, parafusos e parafusos apertados para garantir que o equipamento está em condições de trabalho seguras.**
5. **Verifique o coletor de relva frequentemente para ver se apresenta desgaste ou deterioração. Quando armazenar, certifique-se sempre que o coletor de relva está vazio. Substitua um coletor de relva desgastado por uma peça de substituição nova, de fábrica, para sua segurança.**
6. **Utilize só as lâminas originais do fabricante especificadas neste manual.**

7. **Tenha muito cuidado durante o ajuste do cortador de relva para evitar prender os dedos entre as lâminas em movimento e as peças fixas do cortador de relva.**
8. **Não lave utilizando uma mangueira; evite deixar entrar água no motor e nas ligações elétricas.**
9. **Inspeccione o perno de montagem da lâmina em intervalos frequentes para verificar se está bem apertado.**
10. **Deixe sempre o cortador de relva arrefecer antes de o guardar.**
11. **Ao fazer a manutenção nas lâminas lembre-se que, apesar de a fonte de alimentação estar desligada, as lâminas podem continuar a mover-se.**
12. **Nunca remova ou manipule dispositivos de segurança. Verifique com regularidade se estão a funcionar corretamente. Nunca realize qualquer ação que interfira com a função pretendida de um dispositivo de segurança ou que reduza a proteção proporcionada por um dispositivo de segurança.**

Utilização e cuidados com a ferramenta a bateria

1. **Recarregue apenas com o carregador especificado pelo fabricante.** Um carregador adequado para um tipo de bateria pode criar um risco de incêndio quando utilizado com outra bateria.
2. **Utilize as ferramentas elétricas apenas com as baterias especificamente designadas.** A utilização de uma bateria diferente pode criar um risco de ferimentos e de incêndio.
3. **Quando a bateria não está a ser utilizada, mantenha-a afastada de outros objetos metálicos, como cliques, moedas, chaves, pregos, parafusos ou outros objetos metálicos pequenos que possam fazer a ligação entre os dois terminais.** Colocar os terminais da bateria em curto-circuito um com o outro pode provocar queimaduras ou um incêndio.
4. **Em condições abusivas, o líquido pode ser ejetado da bateria; evite o contacto com o mesmo. Se ocorrer um contacto acidental, lave com água. Se o líquido entrar em contacto com os olhos, procure também assistência médica.** O líquido ejetado da bateria pode provocar irritações ou queimaduras.
5. **Não utilize um conjunto de baterias ou uma ferramenta que se encontrem danificados ou modificados.** As baterias danificadas ou modificadas poderão exibir um comportamento imprevisível, resultando em incêndio, explosão ou risco de lesão.
6. **Não exponha um conjunto de baterias ou uma ferramenta a incêndio ou temperatura excessiva.** A exposição a incêndio ou a uma temperatura superior a 130 °C poderá causar uma explosão.
7. **Siga todas as instruções de carregamento e não carregue o conjunto de baterias ou ferramenta fora da amplitude de temperaturas especificada nas instruções.** O carregamento impróprio ou a temperaturas fora da amplitude especificada poderá danificar a bateria e aumentar o risco de incêndio.

Segurança elétrica e da bateria

1. **Não elimine a(s) bateria(s) no fogo.** A célula pode explodir. Verifique com os códigos locais as possíveis instruções de eliminação especiais.
2. **Não abra nem mutile a(s) bateria(s).** O eletrólito libertado é corrosivo e pode provocar danos nos olhos ou na pele. Pode ser tóxico se for engolido.
3. **Não carregue a bateria sob chuva ou em locais húmidos.**
4. **Não carregue a bateria ao ar livre.**
5. **Não toque no carregador, incluindo a ficha do carregador e os terminais do carregador, com as mãos molhadas.**

Assistência

1. **A ferramenta elétrica deve receber assistência por parte de pessoal qualificado que utilize apenas peças de substituição idênticas.** Isto garantirá que a segurança da ferramenta elétrica é mantida.
2. **Nunca repare conjuntos de baterias danificados.** A reparação de conjuntos de baterias apenas deve ser realizada pelo fabricante ou por prestadores de serviços autorizados.

GUARDE ESTAS INSTRUÇÕES.

⚠️ AVISO: NÃO permita que o conforto ou a familiaridade com o produto (adquirido com o uso repetido) substitua a adesão estrita às regras de segurança da ferramenta.

A MÁ INTERPRETAÇÃO ou o não seguimento das regras de segurança estabelecidas neste manual de instruções pode causar danos pessoais graves.

Instruções de segurança importantes para a bateria

1. **Antes de utilizar a bateria, leia todas as instruções e etiquetas de precaução no (1) carregador de bateria (2) bateria e (3) produto que utiliza a bateria.**
2. **Não desmonte ou manipule a bateria.** Pode resultar num incêndio, em calor excessivo ou numa explosão.
3. **Se o tempo de funcionamento se tornar excessivamente curto, pare o funcionamento imediatamente.** Pode resultar em sobreaquecimento, possíveis queimaduras e mesmo explosão.
4. **Se entrar eletrólito nos seus olhos, lave-os com água e consulte imediatamente um médico.** Pode resultar em perda de visão.
5. **Não coloque a bateria em curto-circuito:**
 - (1) **Não toque nos terminais com qualquer material condutor.**
 - (2) **Evite guardar a bateria juntamente com outros objetos metálicos tais como pregos, moedas, etc.**
 - (3) **Não exponha a bateria à água ou chuva. Um curto-circuito pode ocasionar um enorme fluxo de corrente, sobreaquecimento, possíveis queimaduras e mesmo estragar-se.**
6. **Não guarde nem utilize a ferramenta e a bateria em locais onde a temperatura pode atingir ou exceder 50 °C.**

7. **Não queime a bateria mesmo que esteja estragada ou completamente gasta. A bateria pode explodir no fogo.**
8. **Não pregue, corte, esmague, atire, deixe cair a bateria, nem bata a bateria contra um objeto rijo.** Esta conduta pode resultar num incêndio, em calor excessivo ou numa explosão.
9. **Não utilize uma bateria danificada.**
10. **As baterias de iões de lítio contidas na ferramenta são sujeitas aos requisitos da DGL (Dangerous Goods Legislation - Legislação de bens perigosos).**

Para o transporte comercial, por exemplo, por terceiros ou agentes de expedição, têm de ser observados os requisitos referentes à embalagem e etiquetagem.

Para preparação do artigo a ser expedido, é necessário consultar um perito em materiais perigosos. Tenha ainda em conta a possibilidade de existirem regulamentos nacionais mais detalhados.

Coloque fita-cola ou tape os contactos abertos e embale a bateria de tal forma que não possa mover-se dentro da embalagem.

11. **Quando eliminar a bateria, remova-a da ferramenta e elimine-a num local seguro. Siga os regulamentos locais relacionados com a eliminação de baterias.**
12. **Utilize as baterias apenas com os produtos especificados pela Makita.** Instalar as baterias em produtos não-conformes poderá resultar num incêndio, calor excessivo, explosão ou fuga de eletrólito.
13. **Se a ferramenta não for utilizada durante um período de tempo prolongado, a bateria deve ser removida da ferramenta.**
14. **Durante e após a utilização, a bateria pode aquecer, o que pode provocar queimaduras ou queimaduras a baixa temperatura. Preste atenção ao manuseamento de baterias quentes.**
15. **Não toque no terminal da ferramenta imediatamente após a utilização, pois pode ficar suficientemente quente para provocar queimaduras.**
16. **Não permita a adesão de aparas, pó ou sujidade nos terminais, nos orifícios e nas ranhuras da bateria.** Pode resultar no fraco desempenho ou na avaria da ferramenta ou bateria.
17. **A menos que a ferramenta suporte a utilização perto de linhas elétricas de alta tensão, não utilize a bateria perto de linhas elétricas de alta tensão.** Pode resultar no mau funcionamento ou na avaria da ferramenta ou bateria.
18. **Mantenha a bateria afastada das crianças.**

GUARDE ESTAS INSTRUÇÕES.

⚠️ PRECAUÇÃO: Utilize apenas baterias genuínas da Makita. A utilização de baterias não genuínas da Makita ou de baterias que foram alteradas, pode resultar no rebentamento da bateria provocando incêndios, ferimentos pessoais e danos. Além disso, anulará da garantia da Makita no que se refere à ferramenta e ao carregador Makita.

Conselhos para manter a máxima vida útil da bateria

1. Carregue a bateria antes que esteja completamente descarregada. Pare sempre o funcionamento da ferramenta e carregue a bateria quando notar menos poder na ferramenta.
2. Nunca carregue uma bateria completamente carregada. Carregamento excessivo diminui a vida útil da bateria.
3. Carregue a bateria à temperatura ambiente de 10°C – 40°C. Deixe que uma bateria quente arrefeça antes de a carregar.
4. Quando não utilizar a bateria, remova-a da ferramenta ou do carregador.
5. Carregue a bateria se não a utilizar durante um longo período de tempo (mais de seis meses).

MONTAGEM

⚠️ AVISO: Verifique sempre se a chave de segurança e a bateria foram removidas antes de executar qualquer trabalho no cortador de relva. Se não retirar a chave de segurança e a bateria, pode ocorrer um arranque acidental e resultar em ferimentos pessoais graves.

⚠️ AVISO: Nunca ligue o cortador de relva a menos que esteja completamente montado. A operação da máquina num estado parcialmente montado pode resultar em ferimentos pessoais graves provocados pelo arranque acidental.

Instalar a tampa da bateria

⚠️ AVISO: Não insira a chave de segurança e a bateria antes de instalar a tampa da bateria. O não cumprimento deste aviso pode provocar ferimentos graves.

Instale completamente a tampa da bateria antes da operação. A tampa da bateria protege o cortador de relva e a bateria contra lama, sujidade e água.

1. Coloque a tampa da bateria com as saliências no cortador de relva alinhadas com os orifícios na tampa da bateria.
▶ **Fig.1:** 1. Saliência 2. Orifício 3. Tampa da bateria
2. Ponha as mãos no meio da tampa da bateria e empurre-a.
▶ **Fig.2**
3. Antes de utilizar a ferramenta pela primeira vez, verifique se o ponto de articulação da tampa da bateria está fixo corretamente. Se a tampa da bateria estiver instalada corretamente, ela não abrirá até a alavanca de bloqueio da tampa da bateria ser puxada.
▶ **Fig.3:** 1. Ponto de articulação 2. Alavanca de bloqueio da tampa da bateria

Instalar o guiador

OBSERVAÇÃO: Quando instalar os guidores, posicione os cabos de forma que não fiquem presos em nada entre os guidores. Se o cabo estiver danificado, o interruptor do cortador de relva pode não funcionar.

1. Deslize ambas as extremidades do guiador inferior para dentro das ranhuras do cortador de relva, depois, aperte os parafusos de fixação até ao fim.
▶ **Fig.4:** 1. Parafuso de fixação 2. Guiador inferior
2. Alinhe os orifícios para os parafusos do guiador superior e do guiador inferior. Prenda-os com os parafusos e as porcas de fixação.
▶ **Fig.5:** 1. Porca de fixação 2. Parafuso de fixação

NOTA: Segure firmemente o guiador superior para que não caia da sua mão.

3. Coloque os fixadores ao guiador. Posicione o cabo de alimentação como indicado na figura.
▶ **Fig.6:** 1. Fixador

Remover a tampa para mulching

Acessório opcional

1. Abra a tampa traseira.
▶ **Fig.7:** 1. Tampa traseira
2. Segure a tampa para mulching pelo guiador e, em seguida, retire-a da estrutura do cortador de relva conforme ilustrado na figura.
▶ **Fig.8:** 1. Tampa para mulching 2. Guiador

Instalar o coletor de relva

1. Abra a tampa traseira.
▶ **Fig.9:** 1. Tampa traseira
2. Enganche o coletor de relva na haste da estrutura do cortador de relva como apresentado na figura.
▶ **Fig.10:** 1. Gancho 2. Haste 3. Coletor de relva

Prender a tampa para mulching

Acessório opcional

1. Abra a tampa traseira e, em seguida, remova o coletor de relva.
▶ **Fig.11:** 1. Tampa traseira 2. Coletor de relva
2. Segure a tampa para mulching pelo guiador e, em seguida, prenda-a à estrutura do cortador de relva conforme ilustrado na figura.
▶ **Fig.12:** 1. Tampa para mulching 2. Guiador

DESCRIÇÃO FUNCIONAL

Instalação ou remoção da bateria

⚠️ PRECAUÇÃO: Desligue sempre a máquina antes de instalar ou retirar a bateria.

⚠️ PRECAUÇÃO: Certifique-se de que tranca a tampa da bateria antes de utilizar a ferramenta. Caso contrário a lama, sujidade ou água podem provocar danos no produto ou na bateria.

⚠️ PRECAUÇÃO: Instale sempre a bateria até encaixar no lugar, ou seja, até não conseguir ver o indicador vermelho. Caso contrário, pode cair acidentalmente para fora da máquina, causando ferimentos a si ou a alguém próximo de si.

⚠️ PRECAUÇÃO: Não instale a bateria forçando-a. Se a bateria não entrar com facilidade, é porque não está a inseri-la corretamente.

NOTA: A máquina não funciona com apenas uma bateria.

Para instalar a bateria:

1. Deslize a alavanca de bloqueio da tampa da bateria e abra a tampa da bateria.

► **Fig.13:** 1. Tampa da bateria 2. Alavanca de bloqueio da tampa da bateria

2. Alinhe a lingueta na bateria com a ranhura no cortador de relva, depois deslize a bateria até bloquear no lugar ouvindo-se um pequeno estalido.

► **Fig.14:** 1. Bateria

3. Insira a chave de segurança como indicado na ilustração o mais fundo possível.

► **Fig.15:** 1. Chave de segurança

4. Feche a tampa da bateria e empurre-a até travar com a alavanca de bloqueio.

Para remover a bateria do cortador de relva:

1. Deslize a alavanca de bloqueio da tampa da bateria e abra a tampa da bateria.

2. Retire a bateria do cortador de relva enquanto desliza o botão na frente da bateria.

3. Retire a chave de segurança.

4. Feche a tampa da bateria.

Sistema de proteção da máquina / bateria

A máquina está equipada com um sistema de proteção da máquina/bateria. Este sistema desliga automaticamente a alimentação do motor para prolongar a vida útil da ferramenta e da bateria. A máquina para automaticamente durante o funcionamento se a máquina ou a bateria for colocada numa das seguintes condições.

Proteção contra sobrecarga

Quando a máquina é utilizada de uma forma que causa a absorção de corrente anormalmente alta, a máquina para automaticamente sem qualquer indicação. Nesta situação, desligue a máquina e pare a aplicação que causou a sobrecarga da máquina. Em seguida, ligue a máquina para reiniciar.

Proteção contra sobreaquecimento

A máquina para automaticamente quando estiver sobreaquecida. Deixe a máquina arrefecer antes de ligá-la novamente.

Proteção contra descarga excessiva

A máquina para automaticamente quando a capacidade da bateria fica fraca. Se o produto não funcionar mesmo quando os interruptores são acionados, remova as baterias da máquina e carregue-as.

Indicação da capacidade restante da bateria

► **Fig.16:** 1. Indicador da bateria



















Quando a capacidade restante da bateria fica fraca, o indicador da bateria pisca no lado da bateria aplicável. Se continuar a utilizá-la, a máquina para e o indicador da bateria acende durante cerca de 10 segundos. Nesta situação, carregue a bateria.

Indicação da capacidade restante da bateria

Apenas para baterias com indicador

► **Fig.17:** 1. Luzes indicadoras 2. Botão de verificação

Primeira o botão de verificação na bateria para indicar a capacidade restante da bateria. As luzes indicadoras acendem durante alguns segundos.

Luzes indicadoras			Capacidade restante
 Aceso	 Apagado	 A piscar	
			75% a 100%
			50% a 75%
			25% a 50%
			0% a 25%
			Carregar a bateria.
			A bateria pode estar avariada.
			

NOTA: Dependendo das condições de utilização e da temperatura ambiente, a indicação pode ser ligeiramente diferente da capacidade real.

Ação do interruptor

⚠️ AVISO: Antes de instalar a bateria, verifique sempre se a alavanca do interruptor funciona corretamente e volta à posição original quando é libertada. Utilizar uma máquina com um interruptor que não aciona corretamente pode provocar a perda de controlo e ferimentos pessoais graves.

NOTA: O cortador de relva não liga se não carregar no botão do interruptor, mesmo que tenha puxado a alavanca do interruptor.

NOTA: O cortador de relva pode não arrancar devido a sobrecarga, quando tenta cortar relva longa ou densa de uma vez. Aumente a altura do corte, neste caso.

Este cortador de relva está equipado com um interruptor de interligação e um interruptor no guiador. Se observar qualquer coisa fora do normal com algum dos interruptores, pare a operação imediatamente e peça para serem inspecionados no centro de assistência técnica autorizado da Makita mais próximo.

1. Instale as baterias. Insira a chave de segurança dentro do interruptor de interligação e feche a tampa da bateria.

► **Fig.18:** 1. Bateria 2. Chave de segurança

2. Carregue no botão do interruptor e mantenha-o premido.

3. Agarre no guiador superior e puxe a alavanca do interruptor.

► **Fig.19:** 1. Botão do interruptor 2. Alavanca do interruptor

4. Liberte o botão do interruptor assim que o motor começar a funcionar. O cortador de relva continuará a funcionar até libertar a alavanca do interruptor.

5. Liberte a alavanca do interruptor para parar o motor.

Ajustar a altura do corte

AVISO: Nunca ponha as mãos ou pernas por baixo do corpo do cortador de relva quando ajustar a altura do corte.

AVISO: Verifique sempre se a alavanca encaixa devidamente dentro da ranhura antes da operação.

A altura do corte da relva pode ser ajustada num intervalo entre 20 mm e 75 mm.

1. Retire a chave de segurança.

2. Puxe a alavanca de ajuste da altura do corte em direção ao exterior do corpo do cortador de relva e mova-a para a altura de corte pretendida.

► **Fig.20:** 1. Alavanca de ajuste da altura do corte

NOTA: Os valores de altura de corte devem ser utilizados como orientação. Dependendo das condições do relvado ou do chão, a altura real da relva pode diferir ligeiramente da altura definida.

NOTA: Faça um teste de corte da relva num local menos evidente para obter a altura desejada.

Indicador do nível da relva

► **Fig.21:** 1. Indicador do nível da relva

O indicador de nível da relva mostra o volume de relva cortada.

- Se o coletor de relva não estiver cheio, o indicador flutua durante o corte.
- Se o coletor de relva estiver cheio, o indicador não flutua durante o corte. Neste caso, pare imediatamente de cortar a relva e esvazie o coletor. Depois de esvaziar o coletor, limpe-o para que a rede deixe arejar o ar.

NOTA: Este indicador é um guia pouco seguro. Dependendo das condições do interior do coletor, este indicador pode não funcionar corretamente.

Utilizar a tampa para mulching

Acessório opcional

A tampa para mulching permite-lhe devolver a relva cortada ao solo sem reunir a relva cortada no coletor de relva. Quando utilizar a máquina com a tampa para mulching, certifique-se de que remove o coletor de relva.

OBSERVAÇÃO: Quando utilizar a máquina com a tampa para mulching, certifique-se de que o comprimento total da relva após o corte é de 30 mm ou mais e que o comprimento de corte é de 15 mm ou menos.

► **Fig.22:** (1) 30 mm ou mais (2) 15 mm ou menos

OPERAÇÃO

Cortar a relva

AVISO: Antes de cortar a relva, retire os paus e pedras da área que vai cortar. Remova também as ervas daninhas da área antes de cortar.

AVISO: Utilize sempre óculos de segurança ou proteção com proteções laterais quando operar o cortador de relva.

PRECAUÇÃO: Se a relva cortada ou objeto estranho ficarem bloqueados no interior da estrutura do cortador de relva, certifique-se de que remove a chave de segurança e a bateria e use luvas antes de remover a relva ou o objeto estranho.

OBSERVAÇÃO: Utilize esta máquina apenas para cortar relva. Não corte ervas daninhas com esta máquina.

► **Fig.23**

Agarre firmemente o guiador com as duas mãos para cortar a relva.

A orientação de velocidade de corte da relva é aproximadamente 1 metro por 4 segundos.

► **Fig.24**

As extremidades exteriores das rodas frontais são orientações para a largura de corte da relva. Utilizando as extremidades exteriores das rodas frontais como orientações, corte a relva em faixas. Sobreponha metade a um terço da faixa anterior para cortar a relva uniformemente.

► **Fig.25:** 1. Largura de corte da relva 2. Área de sobreposição 3. Extremidade exterior

Altere a direção de corte da relva de cada vez que cortar a relva, de modo a impedir a formação do padrão de veio da relva apenas numa direção.

► **Fig.26**

Verifique periodicamente o coletor de relva para ver se tem relva cortada. Esvazie o coletor de relva antes de ficar cheio. Certifique-se de que para o cortador de relva e retire a chave de segurança e a bateria antes de cada inspeção periódica.

OBSERVAÇÃO: Utilizar o cortador de relva com o coletor de relva cheio impede a rotação suave da lâmina e sobrecarrega o motor, o que pode provocar avarias.

Cortar relva alta

Não tente cortar relva alta de uma só vez. Em vez disso, corte a relva por etapas. Deixe um dia ou dois de intervalo entre os cortes, até que a relva fique curta uniformemente.

NOTA: Cortar a relva alta numa altura muito curta de uma só vez pode matar a relva. A relva cortada também pode bloquear o interior do corpo do cortador de relva.

Esvaziar o coletor de relva

AVISO: Para reduzir o risco de acidentes, inspecione regularmente o coletor de relva para ver se não está danificado ou enfraquecido. Substitua o coletor de relva, se for necessário.

1. Liberte a alavanca do interruptor.
2. Retire a chave de segurança.
3. Abra a tampa traseira e retire o coletor de relva segurando pelo puxador.
▶ **Fig.27:** 1. Tampa traseira 2. Guiador
4. Esvazie o coletor de relva.

MANUTENÇÃO

AVISO: Certifique-se sempre de que a chave de segurança e a bateria estão retiradas do cortador de relva antes de o armazenar ou transportar ou tentar realizar uma inspeção ou manutenção.

AVISO: Retire sempre a chave de segurança quando não estiver a utilizar o cortador de relva. Guarde a chave de segurança num lugar seguro fora do alcance de crianças.

AVISO: Use luvas quando efetuar uma inspeção ou manutenção.

AVISO: Utilize sempre óculos de segurança ou de proteção com proteções laterais quando realizar a inspeção ou manutenção.

OBSERVAÇÃO: Nunca utilize gasolina, benzina, diluente, álcool ou produtos semelhantes. Pode ocorrer a descoloração, deformação ou rachaduras.

Para manter a SEGURANÇA e a FIABILIDADE do produto, as reparações e qualquer outra manutenção ou ajuste devem ser levados a cabo pelos centros de assistência Makita autorizados ou pelos centros de assistência de fábrica, utilizando sempre peças de substituição Makita.

Manutenção

1. Retire a chave de segurança. Guarde-a num lugar seguro e fora do alcance de crianças.
2. Limpe o cortador de relva só com pano húmido. Não pulverize nem jogue água no cortador de relva para o limpar.
3. Coloque o cortador de relva de lado e limpe os resíduos de relva acumulados em baixo do chassis do cortador de relva.
4. Verifique se todas as porcas, pernos, pinos, parafusos, fixadores, etc. estão bem apertados.
5. Inspeccione as peças móveis para ver se estão danificadas, partidas ou desgastadas. As peças danificadas ou em falta devem ser reparadas ou substituídas.

Armazenamento

AVISO: Quando transportar ou armazenar o cortador de relva, não segure pelo guiador dobrado mas sim pela pega dianteira do cortador de relva. Segurar pelos guiadores dobrados pode provocar ferimentos graves ou danos no cortador de relva.

Antes de guardar o cortador de relva, remova a bateria e a chave de segurança.

Guarde o cortador de relva num local interior, fresco e seco e que possa ser trancado. Não guarde o cortador de relva nem o carregador em locais onde a temperatura possa atingir ou exceder 40 °C.

▶ **Fig.28:** 1. Pega dianteira 2. Pega traseira

1. Desaperte os parafusos de fixação e expanda o guiador inferior para os dois lados. Baixe o guiador para a frente. Nesta altura, segure firmemente no guiador inferior de modo que o guiador não caia para o lado mais afastado do corpo do cortador de relva.

▶ **Fig.29:** 1. Parafuso de fixação 2. Guiador inferior

2. Desaperte as porcas de fixação e gire o guiador superior para trás ao mesmo tempo que expande ambos os lados.

▶ **Fig.30:** 1. Porca de fixação 2. Guiador superior

3. Guarde o coletor de relva entre o guiador e o corpo do cortador de relva.

▶ **Fig.31:** 1. Coletor de relva

NOTA: Quando colocar o cortador de relva ao alto, não segure pelo guiador, mas sim pela pega dianteira do cortador de relva.

Retirar ou instalar a lâmina do cortador de relva

AVISO: Retire sempre a chave de segurança e a bateria antes de remover ou instalar a lâmina. Se não retirar a chave de segurança e a bateria pode provocar ferimentos graves.

AVISO: A lâmina continua a girar lentamente durante alguns segundos, depois de se libertar o interruptor. Não inicie qualquer operação até a lâmina estar completamente parada.

AVISO: Use sempre luvas para manusear a lâmina.

Remover a lâmina do cortador de relva

Para DLM382

1. Coloque o cortador de relva de lado de forma que a alavanca de ajuste da altura do corte fique na parte de cima.

2. Para bloquear a rotação da lâmina, insira uma chave de parafusos ou uma ferramenta semelhante num orifício na estrutura do cortador de relva.

3. Gire o perno para a esquerda com a chave.

► **Fig.32:** 1. Lâmina do cortador de relva 2. Chave de parafusos 3. Chave

4. Remova o perno e a lâmina por esta ordem.

► **Fig.33:** 1. Suporte da lâmina 2. Lâmina do cortador de relva 3. Perno

Para DLM432

1. Coloque o cortador de relva de lado de forma que a alavanca de ajuste da altura do corte fique na parte de cima.

2. Para bloquear a rotação da lâmina, insira uma chave de parafusos ou uma ferramenta semelhante num orifício na estrutura do cortador de relva.

3. Gire o perno para a esquerda com a chave.

► **Fig.34:** 1. Lâmina do cortador de relva 2. Chave de parafusos 3. Chave

4. Retire o perno, a flange exterior, a lâmina do cortador de relva e a flange interior por esta ordem.

► **Fig.35:** 1. Flange interior 2. Lâmina do cortador de relva 3. Flange exterior 4. Perno

Instalar a lâmina do cortador de relva

Para instalar a lâmina do cortador de relva, execute o procedimento de remoção pela ordem inversa.

⚠AVISO: Instale cuidadosamente a lâmina do cortador de relva. Ela tem uma superfície superior/inferior. Coloque a lâmina de maneira que o lado com a seta da direção de rotação fique virado para fora.

⚠AVISO: Aperte o perno rodando com firmeza para a direita para prender a lâmina.

⚠AVISO: Certifique-se de que a lâmina do cortador de relva e todas as peças de fixação estão instaladas corretamente e apertadas de forma segura.

⚠AVISO: Quando substituir as lâminas, siga sempre as instruções fornecidas neste manual.

RESOLUÇÃO DE PROBLEMAS

Antes de pedir uma reparação, realize primeiro a sua própria inspeção. Se encontrar um problema que não esteja explicado no manual, não tente desmontar a ferramenta. Em vez disso, peça as reparações nos centros de assistência técnica autorizados da Makita, usando sempre peças de substituição da Makita.

Estado da anomalia	Causa provável (avaria)	Correção
O cortador de relva não liga.	Não estão instaladas duas baterias.	Instale as baterias carregadas.
	Problema com a bateria (tensão baixa)	Recarregue a bateria. Se recarregar a bateria não solucionar o problema, substitua a bateria.
	A chave de segurança não está inserida.	Insira a chave de segurança.
O motor para de funcionar depois de pouco tempo de utilização.	O nível da carga da bateria está baixo.	Recarregue a bateria. Se recarregar a bateria não solucionar o problema, substitua a bateria.
	A altura do corte é muito baixa.	Aumente a altura de corte.
O motor não atinge as RPM máximas.	A bateria não está instalada corretamente.	Instale a bateria como descrito neste manual.
	A potência da bateria cai.	Recarregue a bateria. Se recarregar a bateria não solucionar o problema, substitua a bateria.
	O sistema de acionamento não funciona corretamente.	Solicite o conserto num centro de assistência técnica autorizado local.
A lâmina do cortador de relva não roda: ⇒ pare imediatamente o cortador de relva!	Um objeto estranho, como um ramo, está encravado perto da lâmina.	Remova o objeto estranho.
	O sistema de acionamento não funciona corretamente.	Solicite o conserto num centro de assistência técnica autorizado local.
Vibração anormal: ⇒ pare imediatamente o cortador de relva!	A lâmina está desequilibrada, desgastada excessivamente ou de maneira irregular.	Substitua a lâmina.

ACESSÓRIOS OPCIONAIS

⚠️ PRECAUÇÃO: Estes acessórios ou peças são recomendados para utilização com a ferramenta Makita especificada neste manual. A utilização de outros acessórios ou peças pode ser perigosa para as pessoas. Utilize apenas acessórios ou peças para os fins indicados.

Se necessitar de informações adicionais relativas a estes acessórios, solicite-as ao seu centro de assistência Makita.

- Lâmina do cortador de relva
- Tampa para mulching
- Bateria e carregador genuínos da Makita

NOTA: Alguns itens da lista podem estar incluídos na embalagem da ferramenta como acessórios padrão. Eles podem variar de país para país.

SPECIFIKATIONER

Model:		DLM382	DLM432
Klippebredde (diameter af bladet)		380 mm	430 mm
Omdrejninger uden belastning		3.700 min ⁻¹	3.600 min ⁻¹
Artikelnummer på reserveblad til plæneklipper		191D41-2	191D43-8
Mål (L x B x H)	under anvendelse	L: 1.380 mm til 1.410 mm B: 450 mm H: 985 mm til 1.005 mm	L: 1.435 mm til 1.490 mm B: 460 mm H: 1.005 mm til 1.045 mm
	under opbevaring (uden græskurv)	860 mm x 450 mm x 475 mm	865 mm x 460 mm x 475 mm
Mærkespænding		36 V DC	
Nettovægt		15,0 - 16,5 kg	15,4 - 17,1 kg

- På grund af vores kontinuerlige forsknings- og udviklingsprogrammer kan hosstående specifikationer blive ændret uden varsel.
- Specifikationer kan variere fra land til land.
- Vægten kan være anderledes afhængigt af tilbehøret, inklusive akkuen. Den letteste og tungeste kombination i henhold til EPTA-procedure 01/2014 er vist i tabellen.

Anvendelig akku og oplader

Akku	BL1815N / BL1820 / BL1820B / BL1830 / BL1830B / BL1840 / BL1840B / BL1850 / BL1850B / BL1860B
Oplader	DC18RC / DC18RD / DC18RE / DC18SD / DC18SE / DC18SF / DC18SH







- Nogle af de akkuer og opladere, der er angivet ovenfor, er muligvis ikke tilgængelige, afhængigt af hvilket område du bor i.

⚠ ADVARSEL: Brug kun de akkuer og opladere, der er angivet ovenfor. Brug af andre akkuer og opladere kan medføre personskaade og/eller brand.

⚠ ADVARSEL: Brug ikke en ledningstilsluttet strømforsyning som fx en batteriadapter eller bærbar strømforsyningsenhed med denne maskine. Ledningen til en sådan strømforsyning kan muligvis hindre brugen og forårsage personskaade.

Symboler

Følgende viser de symboler, der muligvis anvendes til udstyret. Sørg for, at du forstår deres betydning før brugen.

	Udvis særlig forsigtighed og opmærksomhed.
	Læs betjeningsvejledningen.
	Fare; pas på kastede genstande.
	Afstanden mellem maskinen og omkringstående skal være mindst 15 m.
	Anbring aldrig hænder og fødder i nærheden af bladet under plæneklipperen. Bladene fortsætter med at rotere, efter at der slukkes for motoren.
	Fjern låsenøglen, inden De inspicerer, justerer, rengør, servicerer og forlader plæneklipperen eller stiller den til opbevaring.



Kun for lande inden for EU
Bortskaf ikke elektrisk udstyr eller akkuen sammen med almindeligt husholdningsaffald!
I overensstemmelse med EU-direktiverne vedrørende Affald af elektrisk og elektronisk udstyr samt Batterier og akkumulatortor og Batteri- og akkumulatortoraffald og deres anvendelse i overensstemmelse med nationale love skal elektrisk udstyr og batterier og batteripakker, der har nået slutningen af deres levetid, indsamles separat og returneres til en miljøvenlig genbrugsstation.

Tilsluttet anvendelse

Maskinen er beregnet til at slå græs.

Støj

Det typiske A-vægtede støjniveau bestemt i overensstemmelse med EN60335-2-77:

Model DLM382

Lydtryksniveau (L_{pA}): 81 dB (A)
Lydeffektniveau (L_{WA}): 91 dB (A)
Usikkerhed (K): 3 dB (A)

Model DLM432

Lydtryksniveau (L_{pA}): 81 dB (A)
Lydeffektniveau (L_{WA}): 92 dB (A)
Usikkerhed (K): 3 dB (A)

BEMÆRK: De(n) angivne støjemissionsværdi(er) er målt i overensstemmelse med en standardtestmetode og kan anvendes til at sammenligne en maskine med en anden.

BEMÆRK: De(n) angivne støjemissionsværdi(er) kan også anvendes i en præliminær eksponeringsvurdering.

⚠ ADVARSEL: Bær høreværn.

⚠ ADVARSEL: Støjemissionen under den faktiske anvendelse af maskinen kan være forskellig fra de(n) angivne værdi(er), afhængigt af den måde hvorpå maskinen anvendes, især den type arbejdsemne der behandles.

⚠ ADVARSEL: Sørg for at identificere de sikkerhedsforskrifter til beskyttelse af operatøren, som er baseret på en vurdering af eksponering under de faktiske brugsforhold (med hensyntagen til alle dele i brugscyklussen, f.eks. de gange, hvor maskinen er slukket, og når den kører i tomgang i tilgift til afbrydertiden).

Vibration

Vibrationens totalværdi (tre-aksial vektorsum) bestemt i overensstemmelse med EN60335-2-77:

Model DLM382

Vibrationsemission (a_h): 2,5 m/s² eller mindre
Usikkerhed (K): 2,0 m/s²

Model DLM432

Vibrationsemission (a_h): 2,5 m/s² eller mindre
Usikkerhed (K): 1,5 m/s²

BEMÆRK: De(n) angivne totalværdi(er) for vibration er målt i overensstemmelse med en standardtestmetode og kan anvendes til at sammenligne en maskine med en anden.

BEMÆRK: De(n) angivne totalværdi(er) for vibration kan også anvendes i en præliminær eksponeringsvurdering.

⚠ ADVARSEL: Vibrationsemissionen under den faktiske anvendelse af maskinen kan være forskellig fra de(n) angivne værdi(er), afhængigt af den måde hvorpå maskinen anvendes, især den type arbejdsemne der behandles.

⚠ ADVARSEL: Sørg for at identificere de sikkerhedsforskrifter til beskyttelse af operatøren, som er baseret på en vurdering af eksponering under de faktiske brugsforhold (med hensyntagen til alle dele i brugscyklussen, f.eks. de gange, hvor maskinen er slukket, og når den kører i tomgang i tilgift til afbrydertiden).

EF-overensstemmelseserklæring

Kun for lande i Europa

EF-overensstemmelseserklæringen er inkluderet som Bilag A i denne brugsanvisning.

SIKKERHEDSADVARSLER

VIGTIGE SIKKERHEDSFORSKRIFTER

⚠ ADVARSEL: Læs alle sikkerhedsadvarsler og alle sikkerhedsinstruktioner. Hvis nedenstående advarsler og instruktioner ikke overholdes, kan det medføre elektrisk stød, brand og/eller alvorlig personskade.

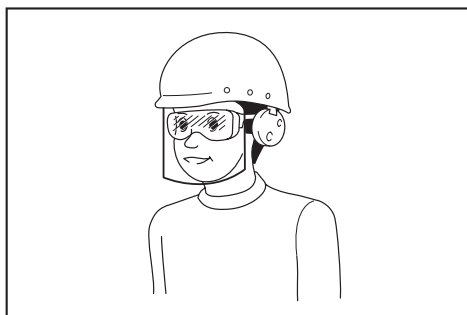
Gem alle advarsler og instruktioner til fremtidig reference.

Oplæring

1. Læs instruktionerne omhyggeligt. Vær bekendt med kontrollerne og den korrekte brug af plæneklipperen.
2. Lad aldrig børn eller personer, som ikke er bekendt med disse instruktioner, anvende plæneklipperen. Operatørens alder kan være begrænset af lokale bestemmelser.
3. Anvend aldrig plæneklipperen, hvis der er personer, især børn, eller kæledyr i nærheden.
4. Husk, at operatøren eller brugeren er ansvarlig for ulykker eller farlige situationer, som andre personer eller deres ejendom udsættes for.
5. Børn bør være under opsyn for at sikre, at de ikke leger med plæneklipperen.
6. Fysisk tilstand - anvend ikke plæneklipperen under indflydelse af narkotika, alkohol eller nogen form for medicin.

Forberedelse

1. Under anvendelse af plæneklipperen skal De altid bære solidt fodtøj og lange bukser. Anvend ikke plæneklipperen med bare fødder eller åbne sandaler. Undgå at bære løst tøj eller smykker med løsthængende kæder eller slips. Disse kan sætte sig fast i de bevægelige dele.
2. Inden brug skal du altid visuelt efterse plæneklipperen for beskadigede, manglende eller forkert anbragte beskyttelsesskærme eller afskærmninger.
3. Sørg for, at der ikke er nogen personer i arbejdsområdet, inden arbejdet påbegyndes. Stop plæneklipperen, hvis der kommer nogen ind i området.
4. Sæt ikke låsenøglen i plæneklipperen, før den er klar til brug.
5. Bær altid beskyttelsesbriller for at beskytte dine øjne mod skader, når du bruger maskinen. Beskyttelsesbrillerne skal overholde ANSI Z87.1 i USA, EN 166 i Europa eller AS/NZS 1336 i Australien/New Zealand. I Australien/New Zealand er det desuden påbudt ved lov at bære ansigtsskærm for at beskytte dit ansigt.



Det er arbejdsgiverens ansvar at påbyde brugerne af maskinen samt andre personer i det umiddelbare arbejdsområde at bære passende sikkerhedsbeskyttelsesudstyr.

6. Inspicer omhyggeligt bladene eller boltene til bladene for revner og beskadigelse inden brugen. Revnede eller beskadigede blade eller bolte til bladene skal straks skiftes ud.
7. Fjern fremmedlegemer såsom sten, ståltråd, flasker, ben eller store kæppe fra arbejdsområdet inden klipningen for at undgå personskade og skade på plæneklipperen.
8. Genstande, der rammes af plæneklipperbladet, kan forårsage alvorlig personskade. Plænen bør altid undersøges omhyggeligt, og alle genstande skal fjernes inden hver plæneklipning.
9. Se efter huller, hjulspor, buler, sten eller andre skjulte genstande. Ujævnt terræn kan forårsage et uheld, hvor du glider og falder. Højt græs kan skjule forhindringer.

Drift

1. Stræk dig ikke for langt. Bevar til enhver tid balancen. Sørg altid for et godt fodfæste på skråninger. Gå, løb aldrig.
2. Stop plæneklipperen og fjern låsenøglen, og sørg for, at alle bevægelige dele er stoppet helt:
 - når De forlader plæneklipperen,
 - inden rengøring af tilstopninger eller rensning af rende,
 - inden inspektion, rengøring eller arbejde på plæneklipperen,
 - efter et fremmedlegeme er ramt. Inspicér plæneklipperen for beskadigelser, og udfør reparationer, inden du igen starter og anvender plæneklipperen,
 - når plæneklipperen begynder at vibrere unormalt.
3. Anvend aldrig plæneklipperen med defekte dæksler eller skjolde eller uden sikkerhedsanordninger, f.eks. deflektor og/eller græskurv, på plads.
4. Undgå at bruge plæneklipperen i dårligt vejr, især hvis der er risiko for lynnedslag.
5. Bær til enhver tid øjebeskyttelse og solide sko, når du betjener plæneklipperen.
6. Anvend kun plæneklipperen i dagslys eller i god kunstig belysning.
7. Vær påpasselig med at starte plæneklipperen i overensstemmelse med instruktionerne og med fødderne på god afstand af bladet (bladene).
8. Pas på personskade på fødder og hænder fra plæneklipperbladene.
9. Sørg altid for, at ventilationsåbningerne holdes fri for rester.
10. Kør plæneklipperen på tværs af skråninger, aldrig op og ned ad dem. Vær yderst forsigtig, når De skifter retning på skråninger. Anvend ikke plæneklipperen på meget stejle skråninger.
11. Vær yderst forsigtig, når De bakker eller trækker plæneklipperen imod Dem selv.
12. Stop bladet (bladene), hvis plæneklipperen skal vippes i transportøjemed, når andre overflader end græs krydses, og når plæneklipperen transporteres til og fra det område, hvor den skal anvendes.
13. Vip ikke plæneklipperen, når De tænder for motoren, undtagen hvis plæneklipperen skal vippes for at starte den. I dette tilfælde må den ikke vippes mere end absolut nødvendigt, og kun den del, der vender væk fra operatøren, må løftes. Sørg altid for, at begge hænder er i betjeningspositionen, før plæneklipperen sættes tilbage på jorden.
14. Anbring ikke hænder og fødder i nærheden af eller under de roterende dele. Hold Dem til enhver tid på god afstand af udlædningsåbningen.
15. Transportér ikke plæneklipperen, mens der er tændt for den.
16. Anvend ikke plæneklipperen i vådt græs.
17. Plæneklipperen må aldrig anvendes i regnvejr. Hold altid godt fast i håndtaget.
19. Tag ikke fat i de blotlagte skæreblade eller skærekanten, når plæneklipperen løftes eller holdes.
20. Hold hænder og fødder på god afstand af de roterende blade. Forsigtig - bladene fortsætter med at dreje rundt, efter at der er slukket for plæneklipperen.
21. Hold straks op med brugen, hvis noget usædvanligt opdages. Sluk for plæneklipperen, og tag låsenøglen ud. Inspicér derefter plæneklipperen.
22. Forsøg aldrig at foretage indstillinger af klippehøjden, mens plæneklipperen er i gang, hvis plæneklipperen har en funktion til justering af klippehøjde.
23. Frigør afbryderarmen, og vent, til bladene er holdt op med at dreje rundt, inden der køres over indkørsler, stier, veje og grusbelagte områder. Fjern ligeledes låsenøglen, hvis De forlader plæneklipperen, rækker ud for at samle noget op eller for at få det af vejen eller af andre årsager, der kan distrahere Dem fra det, som De er i gang med.
24. Hvis plæneklipperen rammer et fremmedlegeme, skal nedenstående trin følges:
 - Stop plæneklipperen, frigør afbryderarmen, og vent, indtil bladet er standset helt.
 - Fjern låsenøglen og akkuen.
 - Inspicér plæneklipperen grundigt for beskadigelse.

- Skift bladet ud, hvis det på nogen måde er beskadiget. Reparér enhver skade, inden De igen starter plæneklipperen og fortsætter med at anvende den.

25. Start ikke plæneklipperen, mens De står foran udladningsåbningen.
26. Hvis plæneklipperen begynder at vibrere unormalt (kontrollér straks)
 - inspicér for beskadigelse,
 - udskift eller reparér alle beskadigede dele,
 - kontrollér, om der er løse dele, og stram dem i så fald.
27. Ret aldrig udkastet materiale mod nogen. Undgå udkastning af materiale mod en mur eller forhindring. Materiale kan blive kastet tilbage mod operatøren. Stop bladet når der køres over grusoverflader.
28. Undlad at trække plæneklipperen tilbage medmindre det er absolut nødvendigt. Når du er nødt til at bakke plæneklipperen tilbage fra et hegn eller lignende forhindring, skal du se ned og bagud, før og mens du bevæger dig baglæns.
29. Sluk for motoren, og vent indtil bladet er helt standset, før du fjerner græsfangeren. Vær opmærksom på, at bladene bevæger sig, efter at der er slukket.

Vedligeholdelse og opbevaring

1. Skift af sikkerhedsårsager slidte eller beskadigede dele ud med nye. Anvend kun originale udsiftningsdele og originalt tilbehør.
2. Inspicér og vedligehold plæneklipperen regelmæssigt.
3. Når den ikke er brugt, skal du opbevare plæneklipperen utilgængeligt for børn.
4. Hold alle møtrikker, bolte og skruer stramme for at sikre, at udstyret er i sikker funktionsstand.
5. Inspicér hyppigt græskurven for slitage eller forringelse. Kontrollér altid, at græskurven er tom inden opbevaring. Skift af sikkerhedsgrunde en udtjent græskurv ud med en fabriksny.
6. Anvend kun originale blade fra fabrikanten, som er specificeret i denne brugsanvisning.
7. Vær påpasselig, når plæneklipperen justeres, således at De ikke får fingrene i klemme mellem plæneklipperens roterende blade og de faste dele.
8. Skyl ikke med en vandslange. Undgå, at der kommer vand ind i motoren og de elektriske tilslutninger.
9. Kontrollér med jævne mellemrum bladets befæstelsesklemme for den rigtige stramning.
10. Lad altid plæneklipperen køle af, inden den stilles til opbevaring.
11. Når De servicerer bladene, skal De være opmærksom på, at bladene stadig kan bevæge sig, selv om der er slukket for maskinen.
12. Fjern eller ændr aldrig sikkerhedsanordninger. Kontrollér regelmæssigt at de fungerer ordentligt. Gør aldrig noget som kan interferere med den tilsigtede funktion af en sikkerhedsanordning eller for at reducere beskyttelsen fra en sikkerhedsanordning.

Brug og vedligeholdelse af batteriet

1. Oplad kun med den oplader, som producenten angiver. En oplader, der passer til én type batteri, kan forårsage brand, hvis den anvendes med et andet batteri.
2. Brug kun el-værktøjer sammen med de tilhørende batteripakker. Brug af andre batteripakker kan forårsage personskade og brand.
3. Når batteripakker ikke anvendes, skal de holdes borte fra andre metalgenstande som papirclips, mønter, nøgler, søm, skruer og andre små metalgenstande, der kan skabe forbindelse mellem terminalerne. Hvis batteriets terminaler kortsluttes, kan det forårsage brand.
4. I tilfælde af misbrug kan der sprøjte væske ud fra batteriet. Undgå kontakt. Skyl med vand, hvis De kommer i kontakt med væsken. Søg læge, hvis De får væske i øjet. Væske, der sprøjter ud fra batteriet, kan medføre irritation eller forbrændinger.
5. Undlad at bruge en akku eller maskine, der er beskadiget eller ændret. Beskadigede eller ændrede batterier kan fungere uforudsigeligt og medføre brand, eksplosion eller risiko for personskade.
6. Undlad at udsætte en akku eller maskine for brand eller høje temperaturer. Udsættelse for brand eller temperaturer på over 130 °C kan medføre eksplosion.
7. Følg alle instruktioner vedrørende opladning, og undlad at oplade akkuen eller maskinen uden for det temperaturinterval, der er angivet i instruktionerne. Opladning, der udføres forkert eller ved temperaturer uden for det angivne temperaturinterval, kan beskadige batteriet og medføre øget risiko for brand.

Elektrisk sikkerhed og batterisikkerhed

1. Undlad at kaste batterierne i åben ild. Cellen kan eksplodere. Tjek de lokale regler for eventuelle særlige instruktioner vedrørende bortskaffelse.
2. Undlad at åbne eller mishandle batterierne. Lækket elektrolyt er ætsende og kan medføre skader på øjnene eller huden. Den kan være giftig, hvis den indtages.
3. Undlad at oplade batteriet i regnvejr eller under våde forhold.
4. Oplad ikke batteriet uden døre.
5. Håndtér ikke oplader, herunder opladerstik, og opladerterminaler med våde hænder.

Service

1. Få udført service på el-værktøjet hos en autoriseret mekaniker, og brug kun tilsvarende reservedele. Derved vedligeholdes el-værktøjets sikkerhed.
2. Udfør aldrig service på beskadigede akkuer. Service på akkuer må kun udføres af producenten eller af autoriserede reparatører.

GEM DENNE BRUGSANVISNING.

⚠ ADVARSEL: LAD IKKE bekvemmelighed eller kendskab til produktet (opnået gennem gentagen brug) forhindre, at sikkerhedsforskrifterne for produktet nøje overholdes.

MISBRUG eller forsømmelse af at følge de i denne brugsvejledning givne sikkerhedsforskrifter kan føre til, at De kommer alvorligt til skade.

Vigtige sikkerhedsinstruktioner for akkuen

1. Læs alle instruktioner og advarselmærkater på (1) akku-opladeren, (2) akkuen og (3) produktet, som anvender akku.
2. Adskil eller ændr ikke akkuen. Det kan muligvis resultere i en brand, overdreven varme eller eksplosion.
3. Hold straks op med anvendelsen, hvis brugstiden er blevet stærkt afkortet. Fortsat anvendelse kan resultere i risiko for overophedning, forbrændinger og endog eksplosion.
4. Hvis De har fået elektrolytvæske i øjnene, skal De straks skylle den ud med rent vand og derefter øjeblikkeligt søge lægehjælp. I modsat fald kan De miste synet.
5. Vær påpasselig med ikke at komme til at kortslutte akkuen:
 - (1) Rør ikke ved terminalerne med noget ledende materiale.
 - (2) Undgå at opbevare akkuen i en beholder sammen med andre genstande af metal, for eksempel søm, mønter og lignende.
 - (3) Udsæt ikke akkuen for vand eller regn. Kortslutning af akkuen kan forårsage en kraftig øgning af strømmen, overophedning, mulige forbrændinger og endog værktøjstop.
6. Opbevar og brug ikke maskinen og akkuen på steder, hvor temperaturen muligvis kan nå eller overstige 50 °C.
7. Lad være med at brænde akkuen, selv ikke i tilfælde, hvor den har lidt alvorlig skade eller er fuldstændig udtjent. Akkuen kan eksplodere, hvis man forsøger at brænde den.
8. Slå ikke søm i, skær ikke i, knus, kast, tab ikke akkuen og stød ikke akkuen mod en hård genstand. Sådan adfærd kan muligvis resultere i en brand, overdreven varme eller eksplosion.
9. Anvend ikke en beskadiget akku.
10. De indbyggede litium-ion-batterier er underlagt lovkrav vedrørende farligt gods. Ved kommerciel transport, f.eks. af tredjeparts transportselskaber, skal særlige krav til forpakning og mærkning overholdes. Ved forberedelse af udstyret til forsendelse skal du kontakte en ekspert i farligt gods. Overhold også eventuel mere detaljeret national lovgivning. Tape eller tildæk åbne kontakter, og pak batteriet på en måde, så det ikke kan flytte sig rundt i pakningen.
11. Når akkuen bortskaffes, skal du fjerne den fra maskinen og bortskaffe den på et sikkert sted. Følg de lokale love vedrørende bortskaffelsen af batterier.
12. Brug kun batterierne med de produkter, som Makita specificerer. Hvis batterierne installeres i ikke-kompatible produkter, kan det medføre brand, kraftig varme, eksplosion eller udsivning af elektrolyt.
13. Hvis maskinen ikke skal bruges i længere tid ad gangen, skal du fjerne batteriet fra maskinen.

14. Akkuen kan muligvis under og efter brug være varm, hvilket kan forårsage forbrændinger eller lavtemperaturforbrændinger. Vær påpasselig med håndtering af varme akkuer.
15. Rør ikke terminalen på maskinen straks efter brug, da den bliver varm nok til at forårsage forbrændinger.
16. Sørg for at spåner, støv eller jord ikke sætter sig fast inde i terminalerne, hullerne og rillerne på akkuen. Det kan muligvis medføre dårlig ydelse eller nedbrud af maskinen eller akkuen.
17. Medmindre maskinen understøtter brugen i nærheden af elektriske højspændingsledninger, skal du ikke anvende akkuen i nærheden af elektriske højspændingsledninger. Det kan muligvis medføre funktionsfejl på eller nedbrud af maskinen eller akkuen.
18. Opbevar batteriet utilgængeligt for børn.

GEM DENNE BRUGSANVISNING.

⚠FORSIGTIG: Brug kun originale batterier fra Makita. Brug af uoriginale Makita-batterier, eller batterier som er blevet ændret, kan muligvis medføre brud på batteriet, hvilket kan forårsage brand, personskade eller beskadigelse. Det ugyldiggør også Makita-garantien for Makita-maskinen og opladeren.

Tips til opnåelse af maksimal akku-levetid

1. Oplad akkuen, inden den er helt afladet. Stop altid værktøjet, og oplad akkuen, hvis De bemærker, at værktøjeffekten er aftagende.
2. Genoplad aldrig en fuldt opladet akku. Overopladning vil afkorte akkuens levetid.
3. Oplad akkuen ved stuetemperatur ved 10 °C - 40 °C. Lad altid en varm akku få tid til at køle af, inden den oplades.
4. Når du ikke anvender akkuen, skal du fjerne den fra maskinen eller opladeren.
5. Oplad akkuen, hvis De ikke skal bruge den i længere tid (mere end seks måneder).

SAMLING

⚠ADVARSEL: Vær altid sikker på, at låsenøglen og akkuen er fjernet, inden De udfører noget arbejde på plæneklipperen. Hvis De ikke fjerner låsenøglen og akkuen, kan det medføre alvorlig personskade forårsaget af utilsigtet start.

⚠ADVARSEL: Start aldrig plæneklipperen, medmindre den er fuldstændig samlet. Anvendelse af maskinen i kun delvist samlet tilstand kan medføre alvorlig personskade forårsaget af utilsigtet start.

Montering af akku-dækslet

⚠ADVARSEL: Sæt ikke låsenøglen og akkuen i, før akku-dækslet er sat på. Forsømmelse af dette kan medføre alvorlig personskade.

Installér akku-dækslet helt før brugen. Akku-dækslet beskytter plæneklipperen og akkuen mod mudder, snavs og vand.

1. Anbring akku-dækslet, så de fremspringende dele på plæneklipperen og hullerne i akku-dækslet sidder ud for hinanden.

► **Fig.1:** 1. Fremspringende del 2. Hul 3. Akku-dæksel

2. Anbring hænderne midt på akku-dækslet, og tryk det ned.

► **Fig.2**

3. Kontrollér inden den første anvendelse, at akku-dækslets drejepunkt er ordentligt monteret. Hvis akku-dækslet er monteret korrekt, kan det ikke åbnes, før der trækkes i låsearmen til akku-dækslet.

► **Fig.3:** 1. Drejepunkt 2. Låsearm til akku-dæksel

Montering af håndtaget

BEMÆRKNING: Når der monteres håndtag, skal ledningerne placeres således, at de ikke sætter sig fast i noget mellem håndtagene. Hvis ledningen er beskadiget, fungerer plæneklipperens afbryder muligvis ikke.

1. Skub begge ender af det nederste håndtag ind i rillerne på plæneklipperen, og stram derefter fastspændingsskruerne helt til.

► **Fig.4:** 1. Fastspændingsskrue 2. Nederste håndtag

2. Juster skruenhullerne i det øverste og nederste håndtag i forhold til hinanden. Fastgør dem med de fastspændingsskruerne og -møtrikkerne.

► **Fig.5:** 1. Fastspændingsmøtrik
2. Fastspændingsskrue

BEMÆRK: Hold godt fast i det øverste håndtag, så det ikke glider ud af hånden på Dem.

3. Fastgør holderne til håndtaget. Placer strømforsyningsledningen som vist på figuren.

► **Fig.6:** 1. Holder

Afmontering af komposteringsproppen

Ekstraudstyr

1. Åbn bagdækslet.

► **Fig.7:** 1. Bagdæksel

2. Hold komposteringsproppen i håndtaget og træk den derefter ud fra plæneklipperens karosseri som vist på figuren.

► **Fig.8:** 1. Komposteringsprop 2. Håndtag

Montering af græskurven

1. Åbn bagdækslet.

► **Fig.9:** 1. Bagdæksel

2. Sæt krogen på græskurven på stangen på plæneklipperens karosseri som vist i illustrationen.

► **Fig.10:** 1. Krog 2. Stang 3. Græskurv

Montering af komposteringsproppen

Ekstraudstyr

1. Åbn bagdækslet, og fjern derefter græskurven.

► **Fig.11:** 1. Bagdæksel 2. Græskurv

2. Hold komposteringsproppen i håndtaget og monter den derefter på plæneklipperens karosseri som vist på figuren.

► **Fig.12:** 1. Komposteringsprop 2. Håndtag

FUNKTIONSBESKRIVELSE

Isætning eller fjernelse af akkuen

⚠FORSIGTIG: Sluk altid for maskinen, før du monterer eller fjerner akkuen.

⚠FORSIGTIG: Sørg for, at akku-dækslet er låst inden brugen. Ellers kan mudder, snavs eller vand øve skade på produktet eller akkuen.

⚠FORSIGTIG: Installér altid akkuen helt, så den røde indikator ikke kan ses. Ellers kan den falde ud af maskinen ved et uheld og forårsage personskade på dig eller personer i nærheden.

⚠FORSIGTIG: Installér ikke akkuen med magt. Hvis akkuen ikke glider nemt ind, betyder det, at den ikke sættes korrekt ind.

BEMÆRK: Maskinen fungerer ikke med kun én akku.

Installation af akkuen:

1. Skub låsearmen til akku-dækslet, og åbn akku-dækslet.

► **Fig.13:** 1. Akku-dæksel 2. Låsearm til akku-dæksel

2. Justér tungen på akkuen med stikket på plæneklipperen, og skub derefter akkuen, indtil den låses på plads med et lille klik.

► **Fig.14:** 1. Akku

3. Sæt låsenøglen så langt ind, som den kan komme, på det sted, der vises på illustrationen.

► **Fig.15:** 1. Låsenøgle

4. Luk akku-dækslet, og tryk på det, indtil det går i indgreb med låsearmen.

Fjernelse af akkuen fra plæneklipperen:

1. Skub låsearmen til akku-dækslet, og åbn akku-dækslet.

2. Træk akkuen ud fra plæneklipperen, mens knappen på forsiden af akkuen skydes i stilling.

3. Træk låsenøglen ud.

4. Luk akku-dækslet.

Beskyttelsessystem til maskinen/batteriet

Maskinen er udstyret med et beskyttelsessystem til maskinen/batteriet. Systemet afbryder automatisk strømmen til motoren for at forlænge maskinens og batteriets levetid. Maskinen stopper automatisk under brugen, hvis maskinen eller batteriet udsættes for et af følgende forhold.

Overbelastningsbeskyttelse

Hvis maskinen bruges på en måde, der får den til at trække en unormalt høj strøm, stopper maskinen automatisk uden indikation. Sluk i så fald for maskinen, og stop den anvendelse, der medførte, at maskinen blev overbelastet. Tænd derefter for maskinen for at starte den igen.

Beskyttelse mod overophedning

Hvis maskinen bliver overophedet, stopper maskinen automatisk. Lad maskinen køle ned, før der tændes for maskinen igen.

Beskyttelse mod afladning

Hvis batteriladningen bliver lav, stopper maskinen automatisk. Hvis produktet ikke fungerer, selvom afbryderne betjenes, skal du tage batterierne ud af maskinen og lade batterierne op.

Indikation af den resterende batteriladning

► **Fig.16:** 1. Batteriindikator

Når den resterende batteriladning bliver lav, blinker batteriindikatoren på den anvendelige batteriside. Hvis maskinen bruges yderligere, stopper maskinen, og batteriindikatoren lyser i cirka 10 sekunder. I denne situation skal du oplade akkuen.

Indikation af den resterende batteriladning

Kun til akkuer med indikatoren

► **Fig.17:** 1. Indikatorlamper 2. Kontrolknop

Tryk på kontrolknappen på akkuen for at få vist den resterende batteriladning. Indikatorlampen lyser i nogle sekunder.

Indikatorlamper			Resterende ladning
Tændt	Slukket	Blinker	
■	□	▬	
■ ■ ■ ■			75% til 100%
■ ■ ■ □			50% til 75%
■ ■ □ □			25% til 50%
■ □ □ □			0% til 25%
▬ □ □ □			Genoplad batteriet.
■ ■ □ □			Der er muligvis fejl i batteriet.
□ □ ■ ■	↑ ↓		

BEMÆRK: Afhængigt af brugsforholdene og den omgivende temperatur kan indikationen afvige en smule fra den faktiske ladning.

Afbryderbetjening

⚠ ADVARSEL: Inden akkuen installeres, skal De altid kontrollere, at afbryderarmen fungerer, som den skal, og returnerer til udgangsstillingen, når den slippes. Anvendelse af en maskine med en afbryder, der ikke fungerer korrekt, kan føre til, at man mister herredømmet over maskinen med alvorlig personskade som følge.

BEMÆRK: Plæneklipperen starter ikke, uden at De trykker på afbryderknappen, selv hvis afbryderarmen trækkes.

BEMÆRK: Plæneklipperen starter muligvis ikke pga. overbelastning, hvis De forsøger at slå højt eller tæt græs samtidig. Forøg i så fald klippehøjden.

Denne plæneklipper er udstyret med en blokeringsomskifter og en håndtagsknop. Hvis De bemærker noget usædvanligt med en af disse knapper, skal De straks stoppe anvendelsen og få dem efterset hos nærmeste autoriserede Makita Servicecenter.

1. Installer akkuerne. Sæt låsenøglen ind i blokeringsomskifteren, og luk derefter akku-dækslet.

► **Fig.18:** 1. Akku 2. Låsenøgle

2. Tryk på afbryderknappen, og hold den inde.

3. Tag fat i det øverste håndtag, og træk i afbryderarmen.

► **Fig.19:** 1. Afbryderknop 2. Afbryderarm

4. Frigør afbryderknappen, så snart motoren begynder at køre. Plæneklipperen vil fortsætte med at køre, indtil De slipper afbryderarmen.

5. Slip afbryderarmen for at stoppe motoren.

Indstilling af klippehøjden

⚠ ADVARSEL: Stik aldrig en hånd eller et ben ind under plæneklipperen, når De indstiller klippehøjden.

⚠ ADVARSEL: Sørg altid for, at armen passer ordentligt ind i rillen inden brugen.

Klippehøjden kan indstilles inden for et interval mellem 20 mm og 75 mm.

1. Fjern låsenøglen.

2. Træk justeringsarmen til klippehøjde udad på plæneklipperens karosseri, og flyt den til den ønskede klippehøjde.

► **Fig.20:** 1. Justeringsarm til klippehøjde

BEMÆRK: Tallene for klippehøjde må kun bruges som retningslinje. Afhængigt af brugsforholdene på plænen eller jorden kan den faktiske græshøjde afvige en smule i forhold til den indstillede højde.

BEMÆRK: Udfør en testklipning på et mindre løjnefaldende sted for at opnå den ønskede højde.

Græsniveauindikator

► Fig.21: 1. Græsniveauindikator

Græsniveauindikatoren viser mængden af det klippede græs.

- Hvis græskurven ikke er fuld, vil indikatoren bevæge sig under klipningen.
- Hvis græskurven er fuld, vil indikatoren ikke bevæge sig under klipningen. Hold i dette tilfælde straks op med at klippe græsset, og tøm kurven. Når kurven er tømt, skal De rengøre den, således at luften kan slippe ud gennem dens net.

BEMÆRK: Denne indikator er en omtrentlig retningslinje. Det er ikke sikkert, at indikatoren fungerer korrekt, det afhænger af forholdene i kurven.

Brug af komposteringsproppen

Ekstraudstyr

Med komposteringsproppen kan du returnere det afklippede græs til jorden uden at samle det afklippede græs i græskurven. Når du bruger maskinen sammen med komposteringsproppen, skal du sørge for at fjerne græskurven.

BEMÆRKNING: Når maskinen anvendes med komposteringsproppen, skal du sørge for, at den samlede længde af græs efter klipning er 30 mm eller mere, og at klippelængden er 15 mm eller mindre.

► Fig.22: (1) 30 mm eller mere (2) 15 mm eller mindre

ANVENDELSE

Klipning

⚠ ADVARSEL: Fjern grene og sten fra klippingsområdet inden klipningen. Fjern også på forhånd alt ukrudt fra klippingsområdet.

⚠ ADVARSEL: Bær altid beskyttelsesbriller eller sikkerhedsbriller med sideafskærmning, når De anvender plæneklipperen.

⚠ FORSIGTIG: Hvis afklippet græs eller et fremmedlegeme sætter sig fast inde i maskinens kabinet, skal De sørge for at fjerne låsenøglen og akkuen og bære handsker, før De fjerner græsset eller fremmedlegemet.

BEMÆRKNING: Brug kun denne maskine til at slå græs. Undlad at klippe ukrudt med maskinen.

► Fig.23

Hold godt fast i håndtaget med begge hænder, når De klipper græs.

Retningslinjen for græsklipningshastighed er cirka 1 meter for hver 4 sekunder.

► Fig.24

De udvendige kanter på forhjulene er retningslinjer for klippebredden. Brug de udvendige kanter på forhjulene som retningslinjer og slå græsset i striber. Overlap med halvdelen til en tredjedel af den forrige stribe for at klippe plænen jævnt.

► Fig.25: 1. Klippingsbredde 2. Overlappende område 3. Udvendig kant

Skift klippingsretning hver gang for at forhindre, at græsmønsteret kun dannes i én retning.

► Fig.26

Kontrollér regelmæssigt græskurven for bortklippet græs. Tøm græskurven, før den bliver fuld. Inden hver periodisk kontrol skal De sørge for at stoppe plæneklipperen og derefter fjerne låsenøglen og akkuen.

BEMÆRKNING: Hvis plæneklipperen anvendes med græskurven fuld, kan der ikke opnås problemfri rotation af bladet, og motoren udsættes for ekstra belastning, hvilket kan føre til sammenbrud.

Klipning af en plæne med højt græs

Forsøg ikke at klippe langt græs i en enkelt arbejdsgang. Klip i stedet græsset i flere trin. Hold en pause på en dag eller to mellem klippingerne, indtil plænen er ensartet kort.

BEMÆRK: Klipning af højt græs til en kort længde i en enkelt arbejdsgang kan bewirke, at græsset dør. Det afklippede græs kan også blokere plæneklipperens indvendige dele.

Tømning af græskurven

⚠ ADVARSEL: For at reducere risikoen for ulykker skal De med jævne mellemrum efterse græskurven for beskadigelse eller forringet styrke. Udskift om nødvendigt græskurven.

1. Frigør afbryderarmen.
2. Fjern låsenøglen.
3. Åbn bagdækslet, og tag græskurven ud ved at holde i håndtaget.
► Fig.27: 1. Bagdæksel 2. Håndtag
4. Tøm græskurven.

VEDLIGEHOLDELSE

⚠ ADVARSEL: Sørg altid for, at låsenøglen og akkuen er fjernet fra plæneklipperen, inden den stilles til opbevaring, eller De bærer plæneklipperen, eller inden De foretager inspektion eller vedligeholdelse.

⚠ ADVARSEL: Fjern altid låsenøglen, når plæneklipperen ikke er i brug. Opbevar låsenøglen på et sikkert sted, hvor børn ikke kan få fat i den.

⚠ ADVARSEL: Bær altid handsker under udførelse af inspektion eller vedligeholdelse.

⚠ ADVARSEL: Bær altid beskyttelsesbriller eller sikkerhedsbriller med sideafskærmning, før De foretager inspektion eller vedligeholdelse.

BEMÆRKNING: Anvend aldrig benzin, rensebenzin, fortynder, alkohol og lignende. Det kan medføre misfarvning, deformation eller revner.

For at opretholde produktets SIKKERHED og PÅLIDELIGHED må reparation, vedligeholdelse eller justering kun udføres af et autoriseret Makita servicecenter eller fabriksservicecenter med anvendelse af Makita reservedele.

Vedligeholdelse

1. Fjern låsenøglen. Anbring den på et sikkert sted, hvor børn ikke kan få fat i den.
2. Rengør kun plæneklipperen med en fugtig klud. Lad være med at sprøjte eller hælde vand på plæneklipperen, når den rengøres.
3. Læg plæneklipperen på siden, og fjern græsafklip, der har samlet sig på undersiden af klippeskiven.
4. Kontrollér, at alle møtrikker, bolte, knapper, skruer, fastgøringsanordninger osv. er strammet.
5. Inspicér de bevægelige dele for beskadigelse, brud og slitage. Beskadigede eller manglende dele skal repareres eller udskiftes.

Opbevaring

ADVARSEL: Når De bærer eller opbevarer plæneklipperen, skal De ikke holde i de foldede håndtag, men i det forreste greb på plæneklipperen. Hvis De holder i de foldede håndtag, kan det medføre alvorlig personskade eller beskadigelse af plæneklipperen.

Inden plæneklipperen stilles til opbevaring, skal du fjerne akkuen og låsenøglen. Opbevar plæneklipperen indendørs på et køligt, tørt og aflåst sted. Opbevar ikke plæneklipperen og opladeren på steder, hvor temperaturen kan komme op på eller overstige 40 °C.

- **Fig.28:** 1. Forreste greb 2. Bageste greb
1. Løsn fastspændingsskruerne, og træk det nederste håndtag ud til begge sider. Flyt håndtaget nedad og fremad. Hold på dette tidspunkt godt fast i det nederste håndtag, så det ikke falder ned til den fjernede side fra plæneklipperens karosseri.
► **Fig.29:** 1. Fastspændingsskrue 2. Nederste håndtag
 2. Løsn fastspændingsmøtrikkerne, og drej det øverste håndtag tilbage, idet der udvides i begge sider.
► **Fig.30:** 1. Fastspændingsmøtrik 2. Øverste håndtag
 3. Opbevar græskurven mellem håndtaget og plæneklipperens karosseri.
► **Fig.31:** 1. Græskurve

BEMÆRK: Når plæneklipperen stilles i oprejst position, må De ikke holde i håndtaget, men i det forreste greb på plæneklipperen.

Afmontering eller montering af plæneklipperbladet

ADVARSEL: Fjern altid låsenøglen og akkuen, når bladet afmonteres eller monteres. Forsømmelse af at fjerne låsenøglen og akkuen kan medføre alvorlig personskade.

ADVARSEL: Bladet drejer rundt i et par sekunder, efter at afbryderen er frigjort. Undlad at starte nogen betjening, før bladet er standset helt.

ADVARSEL: Brug altid handsker, når De håndterer bladet.

Fjernelse af plæneklipperbladet

For DLM382

1. Læg plæneklipperen på siden, så justeringsarmen til klippehøjden er på oversiden.
2. For at låse bladets rotation indsættes en skrue-trækker eller et lignende værktøj ind i et hul på plæneklipperens karosseri.
3. Drej bolten i retningen mod uret med topnøglen.
► **Fig.32:** 1. Plæneklipperblad 2. Skrue-trækker 3. Topnøgle
4. Fjern bolten og bladet i denne rækkefølge.
► **Fig.33:** 1. Bladunderstøttelse 2. Plæneklipperblad 3. Bolt

For DLM432

1. Læg plæneklipperen på siden, så justeringsarmen til klippehøjden er på oversiden.
2. For at låse bladets rotation indsættes en skrue-trækker eller et lignende værktøj ind i et hul på plæneklipperens karosseri.
3. Drej bolten i retningen mod uret med topnøglen.
► **Fig.34:** 1. Plæneklipperblad 2. Skrue-trækker 3. Topnøgle
4. Fjern bolten, den udvendige flange, plæneklipperbladet og den indvendige flange i denne rækkefølge.
► **Fig.35:** 1. Indvendig flange 2. Plæneklipperblad 3. Udvendig flange 4. Bolt

Montering af plæneklipperbladet

For at installere plæneklipperbladet skal De udføre proceduren for afmontering i modsat rækkefølge.

ADVARSEL: Monter plæneklipperbladet med forsigtighed. Det har en øverste og nederste flade. Anbring bladet, så bladsiden med rotationsretningsspil vender udad.

ADVARSEL: Stram bolten godt til i retningen med uret for at fastgøre bladet.

ADVARSEL: Sørg for, at plæneklipperbladet og alle fastgøringsdelene er monteret korrekt og strammet godt til.

ADVARSEL: Følg altid instruktionerne i denne brugsanvisning, når De udskifter bladene.

FEJLFINDING

Udfør selv en inspektion, inden De anmoder om reparation. Hvis De opdager et problem, som ikke er forklaret i brugsanvisningen, må De ikke forsøge at adskille maskinen. Rådfør Dem i stedet med et autoriseret Makita Servicecenter, og brug altid originale Makita udskiftningsdele til reparationer.

Unormal tilstand	Sandsynlig årsag (fejl)	Afhjælpning
Plæneklipperen starter ikke.	Der er ikke installeret to akkuer.	Installér de opladte akkuer.
	Akku-problem (underspænding)	Genoplad akkuen. Udskift akkuen, hvis genopladningen ikke er effektiv.
	Låsenøglen er ikke sat i.	Sæt låsenøglen i.
Motoren stopper efter kort tids brug.	Akkuens ladeniveau er lavt.	Genoplad akkuen. Udskift akkuen, hvis genopladningen ikke er effektiv.
	Klippehøjden er for lav.	Forøg klippehøjden.
Maks. antal omdrejninger pr. minut (RPM) nås ikke.	Akkuen er ikke sat ordentligt i.	Installér akkuen som beskrevet i denne brugsanvisning.
	Akkuens effekt mindskes.	Genoplad akkuen. Udskift akkuen, hvis genopladningen ikke er effektiv.
	Drivsystemet fungerer ikke korrekt.	Få et lokalt, autoriseret servicecenter til at reparere det.
Plæneklipperbladet roterer ikke: ⇒ Stop øjeblikkeligt plæneklipperen!	Et fremmedlegeme, f.eks. en gren, har sat sig fast i nærheden af bladet.	Fjern fremmedlegemet.
	Drivsystemet fungerer ikke korrekt.	Få et lokalt, autoriseret servicecenter til at reparere det.
Unormal vibration: ⇒ Stop øjeblikkeligt plæneklipperen!	Bladet er ubalanceret, ekstremt eller uensartet slidt.	Skift bladet ud med et nyt.

EKSTRAUDSTYR

⚠ FORSIGTIG: Det følgende tilbehør og ekstraudstyr er anbefalet til brug med Deres Makita maskine, der er beskrevet i denne brugsanvisning. Anvendelse af andet tilbehør eller ekstraudstyr kan udgøre en risiko for personskade. Anvend kun tilbehør og ekstraudstyr til det beskrevne formål.

Hvis De behøver hjælp ved valg af tilbehør eller ønsker yderligere informationer, bedes De kontakte Deres lokale Makita servicecenter.

- Plæneklipperblad
- Komposteringsprop
- Original Makita akku og oplader

BEMÆRK: Nogle ting på denne liste kan være inkluderet i værktøjspakken som standardtilbehør. Det kan være forskellige fra land til land.

ΠΡΟΔΙΑΓΡΑΦΕΣ

Μοντέλο:		DLM382	DLM432
Πλάτος κουρέματος (διάμετρος λάμας)		380 mm	430 mm
Ταχύτητα χωρίς φορτίο		3.700 min ⁻¹	3.600 min ⁻¹
Αριθμός εξαρτήματος της ανταλλακτικής λάμας της μηχανής γκαζόν		191D41-2	191D43-8
Διαστάσεις (Μ x Π x Υ)	κατά τη λειτουργία	Μ: 1.380 mm έως 1.410 mm Π: 450 mm Υ: 985 mm έως 1.005 mm	Μ: 1.435 mm έως 1.490 mm Π: 460 mm Υ: 1.005 mm έως 1.045 mm
	κατά την αποθήκευση (χωρίς καλάθι γρασιδιού)	860 mm x 450 mm x 475 mm	865 mm x 460 mm x 475 mm
Όνομαστική τάση		D.C. 36 V	
Καθαρό βάρος		15,0 - 16,5 kg	15,4 - 17,1 kg

- Λόγω του συνεχιζόμενου προγράμματος έρευνας και ανάπτυξης, οι προδιαγραφές αυτές υπόκεινται σε αλλαγές χωρίς προειδοποίηση.
- Τα τεχνικά χαρακτηριστικά μπορεί να διαφέρουν από χώρα σε χώρα.
- Το βάρος μπορεί να διαφέρει ανάλογα με τα προσαρτήματα, συμπεριλαμβάνοντας την κασέτα μπαταριών. Ο ελαφρύτερος και ο βαρύτερος συνδυασμός, σύμφωνα με τη διαδικασία ΕΡΤΑ 01/2014, παρουσιάζονται στον πίνακα.

Ισχύουσα κασέτα μπαταριών και φορτιστής

Κασέτα μπαταρίας	BL1815N / BL1820 / BL1820B / BL1830 / BL1830B / BL1840 / BL1840B / BL1850 / BL1850B / BL1860B
Φορτιστής	DC18RC / DC18RD / DC18RE / DC18SD / DC18SE / DC18SF / DC18SH






- Ορισμένες από τις κασέτες και τους φορτιστές μπαταριών που αναγράφονται παραπάνω ίσως να μην είναι διαθέσιμοι, ανάλογα με την τοποθεσία κατοικίας σας.

⚠ ΠΡΟΕΙΔΟΠΟΙΗΣΗ: Να χρησιμοποιείτε μόνο τις κασέτες μπαταριών και τους φορτιστές που παρατίθενται ανωτέρω. Η χρήση οποιασδήποτε άλλης κασέτας μπαταριών ή φορτιστή μπορεί να προκαλέσει τραυματισμό ή/και πυρκαγιά.

⚠ ΠΡΟΕΙΔΟΠΟΙΗΣΗ: Μην χρησιμοποιείτε ηλεκτρική παροχή με καλώδιο, όπως προσαρμογέα μπαταριών ή φορητή ηλεκτρική τροφοδότηση, με αυτό το μηχάνημα. Το καλώδιο τέτοιας ηλεκτρικής παροχής μπορεί να δυσκολεύει τη λειτουργία και να προκαλέσει τραυματισμό.

Σύμβολα

Παρακάτω παρουσιάζονται τα σύμβολα που μπορούν να χρησιμοποιηθούν για τον εξοπλισμό. Βεβαιωθείτε ότι κατανοείτε τη σημασία τους πριν από τη χρήση.

	Απαιτούνται ιδιαίτερη φροντίδα και προσοχή.
	Διαβάστε το εγχειρίδιο οδηγιών.
	Κίνδυνος. Να προσέχετε για εκτοξευόμενα αντικείμενα.
	Η απόσταση ανάμεσα στο εργαλείο και τους παρευρισκόμενους πρέπει να είναι τουλάχιστον 15 μέτρα.
	Μη βάζετε ποτέ τα χέρια ή τα πόδια σας κοντά στη λάμα κάτω από τη μηχανή γκαζόν. Οι λάμες συνεχίζουν να περιστρέφονται μετά την απενεργοποίηση του μοτέρ.



Βγάλτε το κλειδί ασφάλισης πριν εκτελέσετε εργασίες επιθεώρησης, ρύθμισης, καθαρισμού και σέρβις στη μηχανή γκαζόν και πριν απομακρυνθείτε από τη μηχανή γκαζόν ή την αποθηκεύσετε.



Μόνο για τις χώρες της ΕΕ
Μην απορρίπτετε ηλεκτρικό εξοπλισμό ή την μπαταρία μαζί με τα οικιακά απορρίμματα!
Σύμφωνα με τις Ευρωπαϊκές Οδηγίες για τον απόβλητο ηλεκτρικό και ηλεκτρονικό εξοπλισμό και τις μπαταρίες και συσσωρευτές και τις απόβλητες μπαταρίες και συσσωρευτές και την ενσωμάτωση τους σύμφωνα με την εθνική νομοθεσία, ο ηλεκτρικός εξοπλισμός και η μπαταρία και τα πακέτα μπαταριών που έχουν φτάσει το τέλος ζωής τους πρέπει να συλλέγονται ξεχωριστά και να επιστρέφονται σε εγκαταστάσεις περιβαλλοντικά συμβατής ανακύκλωσης.

Προοριζόμενη χρήση

Το μηχάνημα προορίζεται για το κούρεμα γκαζόν.

Θόρυβος

Το τυπικό Α επίπεδο καταμετρημένου θορύβου καθορίζεται σύμφωνα με το EN60335-2-77:

Μοντέλο DLM382

Στάθμη ηχητικής πίεσης (L_{pA}): 81 dB (A)

Στάθμη ηχητικής ισχύος (L_{WA}): 91 dB (A)

Αβεβαιότητα (K): 3 dB (A)

Μοντέλο DLM432

Στάθμη ηχητικής πίεσης (L_{pA}): 81 dB (A)

Στάθμη ηχητικής ισχύος (L_{WA}): 92 dB (A)

Αβεβαιότητα (K): 3 dB (A)

ΠΑΡΑΤΗΡΗΣΗ: Η δηλωμένη τιμή(ές) εκπομπής θορύβου έχει μετρηθεί σύμφωνα με την πρότυπη μέθοδο δοκιμής και μπορεί να χρησιμοποιηθεί για τη σύγκριση ενός εργαλείου με κάποιο άλλο.

ΠΑΡΑΤΗΡΗΣΗ: Η δηλωμένη τιμή(ές) εκπομπής θορύβου μπορεί να χρησιμοποιηθεί και στην προκαταρκτική αξιολόγηση της έκθεσης.

ΠΡΟΕΙΔΟΠΟΙΗΣΗ: Να φοράτε ωτοασπίδες.

ΠΡΟΕΙΔΟΠΟΙΗΣΗ: Η εκπομπή θορύβου κατά τη χρήση του ηλεκτρικού εργαλείου σε πραγματικές συνθήκες μπορεί να διαφέρει από τη δηλωμένη τιμή(ές) ανάλογα με τους τρόπους χρήσης του εργαλείου, ιδιαίτερα το είδος του τεμαχίου εργασίας που υπόκειται επεξεργασία.

ΠΡΟΕΙΔΟΠΟΙΗΣΗ: Φροντίστε να λάβετε τα κατάλληλα μέτρα προστασίας του χειριστή βάσει ενός υπολογισμού της έκθεσης σε πραγματικές συνθήκες χρήσης (λαμβάνοντας υπόψη όλες τις συνιστώσες του κύκλου λειτουργίας όπως τους χρόνους που το εργαλείο είναι εκτός λειτουργίας και όταν βρίσκεται σε αδρανή λειτουργία πέραν του χρόνου ενεργοποίησης).

Κραδασμός

Η ολική τιμή δόνησης (άθροισμα τρι-αξονικού διανύσματος) καθορίζεται σύμφωνα με το EN60335-2-77:

Μοντέλο DLM382

Εκπομπή δόνησης (a_{h1}): 2,5 m/s² ή λιγότερο

Αβεβαιότητα (K): 2,0 m/s²

Μοντέλο DLM432

Εκπομπή δόνησης (a_{h1}): 2,5 m/s² ή λιγότερο

Αβεβαιότητα (K): 1,5 m/s²

ΠΑΡΑΤΗΡΗΣΗ: Η δηλωμένη τιμή(ές) συνολικών κραδασμών έχει μετρηθεί σύμφωνα με την πρότυπη μέθοδο δοκιμής και μπορεί να χρησιμοποιηθεί για τη σύγκριση ενός εργαλείου με κάποιο άλλο.

ΠΑΡΑΤΗΡΗΣΗ: Η δηλωμένη τιμή(ές) συνολικών κραδασμών μπορεί να χρησιμοποιηθεί και στην προκαταρκτική αξιολόγηση της έκθεσης.

ΠΡΟΕΙΔΟΠΟΙΗΣΗ: Η εκπομπή κραδασμών κατά τη χρήση του ηλεκτρικού εργαλείου σε πραγματικές συνθήκες μπορεί να διαφέρει από τη δηλωμένη τιμή(ές) εκπομπής ανάλογα με τους τρόπους χρήσης του εργαλείου, ιδιαίτερα το είδος του τεμαχίου εργασίας που υπόκειται επεξεργασία.

ΠΡΟΕΙΔΟΠΟΙΗΣΗ: Φροντίστε να λάβετε τα κατάλληλα μέτρα προστασίας του χειριστή βάσει ενός υπολογισμού της έκθεσης σε πραγματικές συνθήκες χρήσης (λαμβάνοντας υπόψη όλες τις συνιστώσες του κύκλου λειτουργίας όπως τους χρόνους που το εργαλείο είναι εκτός λειτουργίας και όταν βρίσκεται σε αδρανή λειτουργία πέραν του χρόνου ενεργοποίησης).

Δήλωση συμμόρφωσης EK

Μόνο για χώρες της Ευρώπης

Η δήλωση συμμόρφωσης EK περιλαμβάνεται ως Παράρτημα Α στο παρόν εγχειρίδιο οδηγιών.

ΠΡΟΕΙΔΟΠΟΙΗΣΕΙΣ ΑΣΦΑΛΕΙΑΣ

ΣΗΜΑΝΤΙΚΕΣ ΟΔΗΓΙΕΣ ΑΣΦΑΛΕΙΑΣ

ΠΡΟΕΙΔΟΠΟΙΗΣΗ: Διαβάστε όλες τις προειδοποιήσεις για την ασφάλεια και όλες τις οδηγίες. Η μη τήρηση των προειδοποιήσεων και οδηγιών μπορεί να καταλήξει σε ηλεκτροπληξία, πυρκαγιά ή/και σοβαρό τραυματισμό.

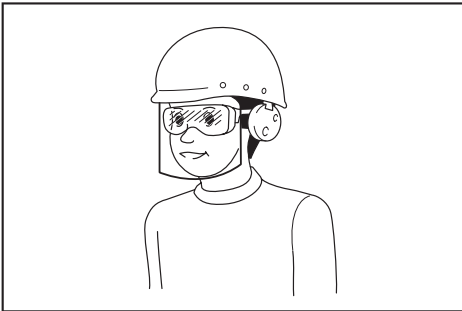
Φυλάξτε όλες τις προειδοποιήσεις και τις οδηγίες για μελλοντική παραπομπή.

Εκπαίδευση

1. Διαβάστε τις οδηγίες προσεκτικά. Εξοικειωθείτε με τα χειριστήρια και τη σωστή χρήση της μηχανής γκαζόν.
2. Μην αφήνετε ποτέ παιδιά ή άτομα που δεν γνωρίζουν αυτές τις οδηγίες να χρησιμοποιούν τη μηχανή γκαζόν. Μπορεί να υπάρχει περιορισμός ηλικίας για το χειριστή βάσει τοπικών κανονισμών.
3. Μη χειρίζεστε ποτέ τη μηχανή γκαζόν όταν άλλα άτομα, ειδικά παιδιά ή κατοικίδια, βρίσκονται σε κοντινή απόσταση.
4. Να θυμάστε ότι ο χειριστής ή ο χρήστης είναι υπεύθυνος για ατυχήματα ή κινδύνους που υφίστανται άλλα άτομα ή η ιδιοκτησία τους.
5. Τα παιδιά θα πρέπει να επιτηρούνται για να εξασφαλιστεί ότι δεν παίζουν με τη μηχανή γκαζόν.
6. Σωματική κατάσταση - Μη χειρίζεστε τη μηχανή γκαζόν υπό την επίδραση ναρκωτικών, αλκοόλ ή άλλων φαρμάκων.

Προετοιμασία

1. Κατά το χειρισμό της μηχανής γκαζόν να φοράτε πάντα κατάλληλα υποδήματα και μακρύ παντελόνι. Μη χειρίζετε τη μηχανή γκαζόν ξυπόλυτοι ή με ανοικτά σαντάλια. Αποφεύγετε να φοράτε ρούχα ή κοσμήματα που είναι χαλαρά ή έχουν κορδόνια ή σκοινιά που κρέμονται. Μπορεί να πιαστούν στα κινούμενα μέρη.
2. Πριν τη χρήση, πάντα να επιθεωρείτε οπτικά τη μηχανή γκαζόν για προστατευτικά ή καλύμματα με ζημιά, που λείπουν ή έχουν τοποθετηθεί λανθασμένα.
3. Βεβαιωθείτε ότι στην περιοχή δεν υπάρχουν άλλα άτομα πριν ξεκινήσετε να κουρεύετε το γκαζόν. Σβήστε τη μηχανή γκαζόν αν εισέλθει κάποιος στην περιοχή.
4. Μην εισαγάγετε το κλειδί ασφάλισης στη μηχανή γκαζόν μέχρι να είναι έτοιμη για χρήση.
5. Να φοράτε πάντα προστατευτικά γυαλιά για να προστατεύετε τα μάτια σας από τραυματισμό όταν χρησιμοποιείτε ηλεκτρικά εργαλεία. Τα προστατευτικά γυαλιά πρέπει να συμμορφώνονται με το πρότυπο ANSI Z87.1 στις ΗΠΑ, το πρότυπο EN 166 στην Ευρώπη ή το πρότυπο AS/NZS 1336 στην Αυστραλία/Νέα Ζηλανδία. Στην Αυστραλία/Νέα Ζηλανδία, απαιτείται από το νόμο να φοράτε και προσωπίδα για την προστασία του προσώπου σας.



Ο εργοδότης έχει την ευθύνη να επιβάλλει τη χρήση κατάλληλου προστατευτικού εξοπλισμού ασφαλείας από τους χειριστές του εργαλείου και από άλλα άτομα που βρίσκονται στην άμεση περιοχή εργασίας.

6. Πριν από τη λειτουργία, να ελέγχετε προσεκτικά τις λάμες ή τα μπουλόνια λαμών για ραγισματα ή ζημιά. Να αντικαθιστάτε αμέσως τις ραγισμένες ή κατεστραμμένες λάμες ή μπουλόνια λαμών.
7. Απομακρύνετε ξένα υλικά όπως πέτρες, καλώδια, μπουκάλια, κόκαλα και μεγάλα ξύλα από την περιοχή εργασίας πριν από το κούρεμα του γκαζόν για την αποφυγή προσωπικού τραυματισμού ή πρόκλησης ζημιάς στη μηχανή γκαζόν.
8. Τα αντικείμενα στα οποία έχει προσκορμίσει η λάμα της μηχανής γκαζόν μπορεί να προκαλέσουν σοβαρό τραυματισμό σε ανθρώπους. Πρέπει να εξετάζετε προσεκτικά το γκαζόν και να απομακρύνετε όλα τα αντικείμενα που εμποδίζουν πριν από το κάθε κούρεμα του γκαζόν.

9. Προσέχετε για τρύπες, αυλάκια, εξογκώματα, πέτρες ή άλλα κρυφά αντικείμενα. Το ανομοίμορφο έδαφος μπορεί να προκαλέσει ατύχημα ολίσθησης και πτώσης. Το ψηλό γρασιδί μπορεί να κρύβει εμπόδια.

Λειτουργία

1. Μην τεντώνετε υπερβολικά. Να στέκεστε πάντοτε ισορροπημένα. Να είστε πάντα βέβαιοι ότι έχετε καλό πάτημα σε πλαγιές. Να περπατάτε, να μην τρέχετε ποτέ.
2. Σταματήστε τη μηχανή γκαζόν και βγάλτε το κλειδί ασφάλισης, και βεβαιωθείτε ότι όλα τα κινούμενα μέρη έχουν ακινητοποιηθεί πλήρως:
 - κάθε φορά που απομακρύνετε από τη μηχανή γκαζόν,
 - πριν καθαρίσετε εμπόδια ή ξεφράξετε τη χοάνη,
 - πριν ελέγξετε ή καθαρίσετε τη μηχανή γκαζόν ή πριν εκτελέσετε εργασίες σε αυτή,
 - μετά από την πρόσκρουση σε ξένο αντικείμενο.Επιθεωρήστε τη μηχανή γκαζόν για την ύπαρξη ζημιάς και πραγματοποιήστε τις επιδιορθώσεις πριν την επανεκκίνηση και τη χρήση της,
 - όποτε η μηχανή γκαζόν αρχίσει να δονείται μη φυσιολογικά.
3. Μη χειρίζετε ποτέ τη μηχανή γκαζόν με ελαττωματικά προστατευτικά ή καλύμματα ή χωρίς τις διατάξεις ασφαλείας, για παράδειγμα, διατάξεις παρεκτροπής ή/και καλάθι γρασιδιού, στη θέση τους.
4. Αποφύγετε τη χρήση της μηχανής γκαζόν σε άσχημες καιρικές συνθήκες, ειδικά όταν υπάρχουν κίνδυνος κεραυνών.
5. Να φοράτε πάντα προστατευτικά ματιών και ανθεκτικά παπούτσια όταν χειρίζετε τη μηχανή γκαζόν.
6. Να χειρίζετε τη μηχανή γκαζόν μόνο όταν έχει ακόμα φως έξω ή με καλό τεχνητό φωτισμό.
7. Ενεργοποιήστε προσεκτικά τη μηχανή γκαζόν σύμφωνα με τις οδηγίες και με τα πόδια σας μακριά από τις λάμες.
8. Να προσέχετε ώστε να μην τραυματίσετε τα πόδια και τα χέρια σας από τις λάμες της μηχανής γκαζόν.
9. Να βεβαιώνετε πάντα ότι οι οπές εξαιρισμού είναι καθαρές.
10. Να κινήστε κατά πλάτος της πρόσοψης της πλαγιής, ποτέ προς τα επάνω ή κάτω. Να είστε ιδιαίτερα προσεκτικοί όταν αλλάζετε κατεύθυνση σε πλαγιές. Μην κουρεύετε το γκαζόν σε εξαιρετικά απότομες πλαγιές.
11. Να είστε ιδιαίτερα προσεκτικοί όταν κινείστε προς τα πίσω ή τραβάτε τη μηχανή γκαζόν προς το μέρος σας.
12. Οι λάμες πρέπει να είναι ακινητοποιημένες όταν πρέπει να γείρετε τη μηχανή γκαζόν για μεταφορά κατά τη διέλευση επιφανειών εκτός από το γκαζόν και κατά τη μεταφορά της μηχανής γκαζόν από και προς την περιοχή όπου θα χρησιμοποιηθεί.
13. Μη γέρνετε τη μηχανή γκαζόν όταν ενεργοποιείτε το μοτέρ, εκτός αν πρέπει να γέρνετε τη μηχανή γκαζόν για την έναρξη. Σε αυτή την περίπτωση, μην τη γέρνετε περισσότερο από όσο είναι απολύτως απαραίτητο και να σηκώνετε μόνο το τμήμα που βρίσκεται μακριά από το χειριστή. Να εξασφαλίσετε πάντα ότι και τα δύο χέρια βρίσκονται στη λειτουργική θέση πριν επιστρέψετε τη μηχανή γκαζόν στο έδαφος.

14. Μην βάζετε τα χέρια ή τα πόδια σας κοντά ή κάτω από περιστρεφόμενα μέρη. Μεινείτε μακριά από το άνοιγμα εκκένωσης κάθε στιγμή.
 15. Μην μεταφέρετε τη μηχανή γκαζόν ενώ είναι ενεργοποιημένη.
 16. Αποφεύγετε το χειρισμό της μηχανής γκαζόν σε βρεγμένο γκαζόν.
 17. Μην χειρίζεστε ποτέ τη μηχανή γκαζόν στη βροχή.
 18. Να κρατάτε πάντα τη λαβή σταθερά.
 19. Μην πιάνετε τις εκτεθειμένες λάμες κοπής ή τα κοπτικά άκρα όταν σηκώνετε ή κρατάτε τη μηχανή γκαζόν.
 20. Διατηρείτε τα χέρια και τα πόδια σας μακριά από τις περιστρεφόμενες λάμες. Προσοχή - Οι λάμες συνεχίζουν να περιστρέφονται μετά την απενεργοποίηση της μηχανής γκαζόν.
 21. Διακόψτε αμέσως τη λειτουργία αν παρατηρήσετε οτιδήποτε ασυνήθιστο. Σβήστε τη μηχανή γκαζόν και βγάλτε το κλειδί ασφάλισης. Στη συνέχεια, επιθεωρήστε τη μηχανή γκαζόν.
 22. Μην επιχειρήσετε ποτέ να κάνετε ρυθμίσεις του ύψους κοπής ενώ η μηχανή γκαζόν βρίσκεται σε λειτουργία, στην περίπτωση που η μηχανή γκαζόν διαθέτει δυνατότητα ρύθμισης ύψους κοπής.
 23. Αφήστε το μοχλό διακόπτη και περιμένετε μέχρι να σταματήσει η περιστροφή της λάμας πριν διασχίσετε ιδιωτικούς δρόμους, πεζοδρόμια, δρόμους και οποιαδήποτε περιοχή που είναι καλυμμένη με χαλίκια. Επίσης βγάλτε το κλειδί ασφάλισης αν απομακρυνθείτε από τη μηχανή γκαζόν, αν σκύψετε για να πιάσετε ή να απομακρύνετε κάτι από μπροστά σας ή για οποιονδήποτε άλλο λόγο που μπορεί να αποσπάσει την προσοχή σας από αυτό που κάνετε.
 24. Αν η μηχανή γκαζόν χτυπήσει σε ένα ξένο αντικείμενο, ακολουθήστε τα εξής βήματα:
 - Σβήστε τη μηχανή γκαζόν, αφήστε το μοχλό διακόπτη και περιμένετε μέχρι να σταματήσει πλήρως να περιστρέφεται η λάμα.
 - Βγάλτε το κλειδί ασφάλισης και την κασέτα μπαταρίας.
 - Επιθεωρήστε καλά τη μηχανή γκαζόν για τυχόν ζημιά.
 - Αντικαταστήστε τη λάμα αν έχει υποστεί ζημιά με οποιονδήποτε τρόπο. Επισκευάστε κάθε ζημιά πριν την επανέναρξη και συνεχίστε να χρησιμοποιείτε τη μηχανή γκαζόν.
 25. Μην ενεργοποιείτε τη μηχανή γκαζόν όταν στέκεστε μπροστά από το άνοιγμα εκκένωσης.
 26. Αν η μηχανή γκαζόν αρχίσει να δονείται με ασυνήθιστο τρόπο (ελέγξτε αμέσως)
 - επιθεωρήστε για ζημιά,
 - αντικαταστήστε ή επισκευάστε τα κατεστραμμένα μέρη,
 - ελέγξτε για χαλαρά μέρη και σφίξτε τα ανάλογα.
 27. Μην κατευθύνετε ποτέ το υλικό εκκένωσης προς κανένα άτομο. Αποφύγετε την εκκένωση υλικού επάνω σε τοίχο ή εμπόδιο. Το υλικό μπορεί να αναπηδήσει προς τον χειριστή. Σταματήστε τη λάμα όταν περνάτε επιφάνειες με χαλίκια.
 28. Μην τραβήξετε τη μηχανή γκαζόν προς τα πίσω εκτός αν είναι απολύτως απαραίτητο. Όταν είστε αναγκασμένοι να μετακινήσετε τη μηχανή γκαζόν προς τα πίσω από φράχτη ή άλλο παρόμοιο εμπόδιο, κοιτάξτε κάτω και προς τα πίσω πριν μετακινήσετε προς τα πίσω αλλά και ενώ μετακινείστε προς τα πίσω.
 29. Σβήστε το μοτέρ και περιμένετε να σταματήσει να κινείται εντελώς η λάμα πριν βγάλετε τον συγκρατήρα χορταριού. Προσέχετε επειδή οι λάμες περιστρέφεται ελεύθερα μετά το σβήσιμο.
- Συντήρηση και αποθήκευση**
1. Αντικαταστήστε τα φθαρμένα ή κατεστραμμένα μέρη για ασφάλεια. Να χρησιμοποιείτε μόνο γνήσια ανταλλακτικά εξαρτήματα και αξεσουάρ.
 2. Επιθεωρήστε και συντηρήστε τη μηχανή γκαζόν τακτικά.
 3. Όταν δεν χρησιμοποιείται, αποθηκεύστε τη μηχανή γκαζόν μακριά από παιδιά.
 4. Διατηρείτε σφικτά όλα τα παξιμάδια, τα μπουλόνια και τις βίδες για να βεβαιωθείτε ότι ο εξοπλισμός βρίσκεται σε ασφαλή λειτουργική κατάσταση.
 5. Να ελέγχετε συχνά το καλάθι γρασιδιού για φθορά ή υποβάθμιση. Κατά την αποθήκευση, να φροντίζετε πάντα ώστε το καλάθι γρασιδιού να είναι άδειο. Να αντικαθιστάτε ένα φθαρμένο καλάθι γρασιδιού με ένα καινούργιο εργοστασιακό ανταλλακτικό, για λόγους ασφαλείας.
 6. Να χρησιμοποιείτε μόνο γνήσιες λάμες του κατασκευαστή που καθορίζονται σε αυτό το εγχειρίδιο.
 7. Προσέχετε κατά τη διάρκεια ρυθμίσεων στη μηχανή γκαζόν για την αποφυγή παγίδευσης δακτύλων μεταξύ των κινούμενων λαμών και των σταθερών μερών της μηχανής γκαζόν.
 8. Μην πλένετε με λάστιχο. Αποφεύγετε την εισχώρηση νερού στο μοτέρ ή στις ηλεκτρικές συνδέσεις.
 9. Ελέγξτε σε τακτικά διαστήματα αν το μπουλόνι σέρωσης λάμας είναι καλά σφιγμένο.
 10. Να αφήνετε πάντα τη μηχανή γκαζόν να κρυώσει πριν την αποθήκευση.
 11. Κατά την εκτέλεση εργασιών σέρβις στις λάμες, να γνωρίζετε ότι οι λάμες μπορεί να συνεχίζουν να κινούνται παρότι η τροφοδοσία απενεργοποιήθηκε.
 12. Ποτέ μην αφαιρείτε ή παραβιάζετε τις συσκευές ασφαλείας. Να ελέγχετε τακτικά τη σωστή λειτουργία τους. Μην κάνετε ποτέ τίποτα για να παρεμβείτε με την προοριζόμενη λειτουργία μιας συσκευής ασφαλείας ή να μειώσετε την προστασία που παρέχεται από μια συσκευή ασφαλείας.
- Χρήση και φροντίδα μπαταριών**
1. Να επαναφορτίζετε τις μπαταρίες μόνο με το φορτιστή που καθορίζεται από τον κατασκευαστή. Ένας φορτιστής που είναι κατάλληλος για μια συγκεκριμένη μπαταρία μπορεί να δημιουργήσει κίνδυνο πυρκαγιάς όταν χρησιμοποιείται με μια άλλη μπαταρία.
 2. Να χρησιμοποιείτε ηλεκτρικά εργαλεία μόνο με ειδικά καθορισμένες μπαταρίες. Η χρήση κάθε άλλης μπαταρίας μπορεί να δημιουργήσει κίνδυνο τραυματισμού ή πυρκαγιάς.

- Όταν δεν χρησιμοποιείται η κασέτα μπαταριών, διατηρήστε τη μακριά από άλλα μεταλλικά αντικείμενα, όπως συνδετήρες, κέρματα, κλειδιά, καρφιά, βίδες ή άλλα μικρά μεταλλικά αντικείμενα, με τα οποία μπορεί να δημιουργηθεί σύνδεση από τον έναν ακροδέκτη στον άλλον. Το βραχυκύκλωμα των ακροδεκτών της μπαταρίας μπορεί να προκαλέσει εγκαύματα ή πυρκαγιά.
- Υπό συνθήκες κατάχρησης, μπορεί να εξαχθεί υγρό από την μπαταρία. Να αποφεύγετε την επαφή. Εάν συμβεί επαφή κατά λάθος, εκπλύνετε με νερό. Εάν το υγρό έρθει σε επαφή με τα μάτια, αναζητήστε και ιατρική βοήθεια. Το υγρό που εξάγεται από την μπαταρία μπορεί να προκαλέσει ερεθισμό ή εγκαύματα.
- Μη χρησιμοποιείτε μια κασέτα μπαταριών ή εργαλείο που έχει καταστραφεί ή τροποποιηθεί. Οι καταστραμμένες ή τροποποιημένες μπαταρίες μπορεί να παρουσιάσουν απρόβλεπτη συμπεριφορά που έχει ως αποτέλεσμα πυρκαγιά, έκρηξη ή κίνδυνο τραυματισμού.
- Μην εκθέτετε την κασέτα μπαταριών ή το εργαλείο σε πυρκαγιά ή υπερβολικά υψηλή θερμοκρασία. Η έκθεση στην πυρκαγιά ή στη θερμοκρασία άνω των 130 °C μπορεί να προκαλέσει έκρηξη.
- Ακολουθήστε όλες τις οδηγίες φόρτισης και μην φορτίσετε την κασέτα μπαταριών ή το εργαλείο εκτός του θερμοκρασιακού εύρους που καθορίζεται στις οδηγίες. Η λανθασμένη φόρτιση ή η φόρτιση σε θερμοκρασίες εκτός του καθορισμένου εύρους μπορεί να προκαλέσει ζημία στην μπαταρία και να αυξήσει τον κίνδυνο πυρκαγιάς.

Ηλεκτρική ασφάλεια και ασφάλεια μπαταρίας

- Μη απορρίπτετε την μπαταρία(ιες) στη φωτιά. Το κελί μπορεί να εκραγεί. Συμβουλευτείτε τους τοπικούς κώδικες για πιθανές ειδικές οδηγίες απόρριψης.
- Μη απορρίπτετε και μην καταστρέψετε την μπαταρία(ιες). Ο ηλεκτρολύτης που εκλύεται είναι διαβρωτικός και μπορεί να προκαλέσει ζημία στα μάτια ή στο δέρμα. Σε περίπτωση κατάποσης, μπορεί να είναι τοξικό.
- Μη φορτίζετε την μπαταρία στη βροχή, αλλά ούτε σε υγρές τοποθεσίες.
- Μην φορτίζετε τη μπαταρία σε εξωτερικό χώρο.
- Μην χειρίζεστε τον φορτιστή, συμπεριλαμβανομένου του φινι φορτιστή, και τους ακροδέκτες φορτιστή με βρεγμένα χέρια.

Σέρβις

- Μα φροντίζετε το σέρβις του ηλεκτρικού εργαλείου σας να γίνεται από αρμόδιο επαγγελματία χρησιμοποιώντας μόνο γνήσια ανταλλακτικά. Έτσι θα είστε σίγουροι για τη διατήρηση της ασφάλειας του ηλεκτρικού εργαλείου.
- Μην εκτελείτε ποτέ εργασίες σέρβις σε καταστραμμένες κασέτες μπαταριών. Οι εργασίες σέρβις των κασετών μπαταριών θα πρέπει να εκτελούνται μόνο από τον κατασκευαστή ή από εξουσιοδοτημένους παρόχους σέρβις.

ΦΥΛΑΞΤΕ ΤΙΣ ΟΔΗΓΙΕΣ ΑΥΤΕΣ.

▲ΠΡΟΕΙΔΟΠΟΙΗΣΗ: ΜΗΝ επιτρέψετε στην άνεση ή στην εξοικειωσή σας με το προϊόν (που αποκτήθηκε από επανειλημμένη χρήση) να αντικαταστήσει την αυστηρή τήρηση των κανόνων ασφαλείας του παρόντος εργαλείου.
 Η ΛΑΝΘΑΣΜΕΝΗ ΧΡΗΣΗ ή η μέλεια να ακολουθήσετε τους κανόνες ασφαλείας που διατυπώνονται στο παρόν εγχειρίδιο οδηγιών μπορεί να προκαλέσει σοβαρό προσωπικό τραυματισμό.

Σημαντικές οδηγίες ασφαλείας για κασέτα μπαταριών

- Πριν χρησιμοποιήσετε την κασέτα μπαταριών, διαβάστε όλες τις οδηγίες και σημειώσεις προφύλαξης (1) στον φορτιστή μπαταριών, (2) στην μπαταρία και (3) στο προϊόν που χρησιμοποιεί την μπαταρία.
- Μην αποσυναρμολογήσετε ή παραβιάσετε την κασέτα μπαταριών. Μπορεί να έχει ως αποτέλεσμα πυρκαγιά, υπερθέρμανση ή έκρηξη.
- Εάν ο χρόνος λειτουργίας έχει γίνει υπερβολικά βραχύς, σταματήστε τη λειτουργία αμέσως. Αλλιώς, μπορεί να έχει ως αποτέλεσμα κίνδυνο υπερθέρμανσης, πιθανά εγκαύματα ή ακόμη και έκρηξη.
- Εάν ηλεκτρολύτης μπει στα μάτια σας, ξεπλύνετε τα με καθαρό νερό και ζητήστε ιατρική φροντίδα αμέσως. Αλλιώς, μπορεί να έχει ως αποτέλεσμα απώλεια της όρασης σας.
- Μη βραχυκυκλώνετε την κασέτα μπαταριών:
 - Μην αγγίζετε τους πόλους με οτιδήποτε αγώγιμο υλικό.
 - Αποφύγετε να αποθηκεύετε την κασέτα μπαταριών μέσα σε ένα δοχείο μαζί με άλλα μεταλλικά αντικείμενα όπως καρφιά, νομίσματα, κλπ.
 - Μην εκθέτετε την κασέτα μπαταριών στο νερό ή στη βροχή.
 Ένα βραχυκύκλωμα μπαταρίας μπορεί να προκαλέσει μεγάλη ροή ρεύματος, υπερθέρμανση, πιθανά εγκαύματα ακόμη και σοβαρή βλάβη.
- Μην αποθηκεύετε και μην χρησιμοποιείτε το εργαλείο και την κασέτα μπαταριών σε τοποθεσίες όπου η θερμοκρασία μπορεί να φτάσει ή να ξεπεράσει τους 50°C.
- Μην καίτε την κασέτα μπαταριών ακόμη και εάν έχει σοβαρή ζημιά ή είναι εντελώς φθαρμένη. Η κασέτα μπαταριών μπορεί να εκραγεί στη φωτιά.
- Μην καρφώσετε, κόψετε, συνθλίψετε, πετάξετε ή ρίξετε κάτω την κασέτα μπαταριών, ούτε να χτυπήσετε ένα σκληρό αντικείμενο επάνω στην κασέτα μπαταριών. Τέτοια συμπεριφορά μπορεί να έχει ως αποτέλεσμα πυρκαγιά, υπερθέρμανση ή έκρηξη.
- Μη χρησιμοποιείτε μπαταρία που έχει υποστεί ζημία.
- Οι μπαταρίες ιόντων λιθίου που περιέχονται υπόκεινται στις απαιτήσεις της νομοθεσίας για επικίνδυνα αγαθά.
 Για εμπορικές μεταφορές, για παράδειγμα από τρίτα μέρη, πρέπει να τηρούνται οι διαμεταφορές, οι ειδικές απαιτήσεις στη συσκευασία και η επισήμανση.

Για προετοιμασία του στοιχείου που αποστέλλεται, είναι απαραίτητο να συμβουλευτείτε έναν ειδικό για επικίνδυνα υλικά. Επίσης, τηρήστε τους πιθανούς, πιο αναλυτικούς εθνικούς κανονισμούς. Καλύψτε με αυτοκόλλητη ταινία ή κρύψτε τις ανοικτές επαφές και συσκευάστε την μπαταρία με τρόπο που να μην μπορεί να μετακινείται μέσα στη συσκευασία.

11. Όταν απορρίπτετε την κασέτα μπαταριών, αφαιρέστε την από το εργαλείο και διαθέστε την σε ένα ασφαλές μέρος. Τηρήστε τους τοπικούς κανονισμούς που σχετίζονται με τη διάθεση της μπαταρίας.
12. Χρησιμοποιήστε τις μπαταρίες μόνο με τα προϊόντα που καθορίζει η Makita. Αν τοποθετήσετε τις μπαταρίες σε μη συμβατά προϊόντα μπορεί να έχει ως αποτέλεσμα πυρκαγιά, υπερβολική θερμότητα, έκρηξη ή διαρροή ηλεκτρολύτη.
13. Αν δεν χρησιμοποιείτε το εργαλείο για μεγάλο χρονικό διάστημα, πρέπει να βγάλετε την μπαταρία από το εργαλείο.
14. Κατά τη διάρκεια και μετά τη χρήση, η κασέτα μπαταριών μπορεί να θερμανθεί, γεγονός που μπορεί να προκαλέσει εγκαύματα ή εγκαύματα από χαμηλή θερμοκρασία. Προσέχετε το χειρισμό των ζεστών κασετών μπαταριών.
15. Μην αγγίζετε τον ακροδέκτη του εργαλείου αμέσως μετά τη χρήση επειδή μπορεί να έχει ζεσταθεί αρκετά για να προκαλέσει εγκαύματα.
16. Μην αφήνετε θραύσματα, σκόνη ή βρομιά να κολλήσει στους ακροδέκτες, τις οπές και τις εγκοπές της κασέτας μπαταριών. Μπορεί να έχει ως αποτέλεσμα κακή απόδοση ή σπάσιμο του εργαλείου ή της κασέτας μπαταριών.
17. Εκτός να το εργαλείο υποστηρίζει τη χρήση κοντά σε ηλεκτρικές γραμμές υψηλής τάσης, μην χρησιμοποιείτε την κασέτα μπαταριών κοντά σε ηλεκτρικές γραμμές υψηλής τάσης. Μπορεί να έχει ως αποτέλεσμα δυσλειτουργία ή σπάσιμο του εργαλείου ή της κασέτας μπαταριών.
18. ΚρΦυλάξτε την μπαταρία μακριά από παιδιά.

ΦΥΛΑΞΤΕ ΤΙΣ ΟΔΗΓΙΕΣ ΑΥΤΕΣ.

▲ΠΡΟΣΟΧΗ: Να χρησιμοποιείτε μόνο γνήσιες μπαταρίες της Makita. Η χρήση μη γνήσιων μπαταριών Makita, ή μπαταριών που έχουν τροποποιηθεί, μπορεί να έχει ως αποτέλεσμα τη ρήξη της μπαταρίας, προκαλώντας πυρκαγιά, προσωπικό τραυματισμό και βλάβη. Επίσης, θα ακυρωθεί η εγγύηση της Makita για το εργαλείο και φορτιστή Makita.

Συμβουλές για τη διατήρηση της μέγιστης ζωής μπαταρίας

1. Φορτίζετε την κασέτα μπαταριών πριν από την πλήρη αποφόρτισή της. Πάντοτε να σταματάτε τη λειτουργία του εργαλείου και να φορτίζετε την κασέτα μπαταριών όταν παρατηρείτε μειωμένη ισχύ εργαλείου.
2. Ποτέ μην επαναφορτίζετε μια πλήρως φορτισμένη κασέτα μπαταριών. Η υπερφόρτιση μειώνει την ωφέλιμη ζωή της μπαταρίας.

3. Να φορτίζετε την κασέτα μπαταριών σε θερμοκρασία δωματίου, δηλαδή στους 10°C έως 40°C. Αφήστε μια θερμή κασέτα μπαταριών να κρΰσει πριν την φορτίσετε.
4. Όταν δεν χρησιμοποιείτε την κασέτα μπαταριών, αφαιρέστε την από το εργαλείο ή τον φορτιστή.
5. Να φορτίζετε την κασέτα μπαταριών εάν δεν τη χρησιμοποιείτε για μεγάλη χρονική περίοδο (περισσότερο από έξι μήνες).

ΣΥΝΑΡΜΟΛΟΓΗΣΗ

▲ΠΡΟΕΙΔΟΠΟΙΗΣΗ: Να βεβαιώνετε πάντα ότι έχετε βγάλει το κλειδί ασφάλισης και την κασέτα μπαταριών πριν πραγματοποιείτε οποιαδήποτε εργασία στη μηχανή γκαζόν. Αν δεν βγάλετε το κλειδί ασφάλισης και την κασέτα μπαταριών μπορεί να έχει ως αποτέλεσμα σοβαρό προσωπικό τραυματισμό από τυχαία εκκίνηση.

▲ΠΡΟΕΙΔΟΠΟΙΗΣΗ: Μη βάζετε ποτέ μπροστά τη μηχανή γκαζόν αν δεν είναι πλήρως συναρμολογημένη. Η λειτουργία του μηχανήματος σε μερικώς συναρμολογημένη κατάσταση μπορεί να έχει ως αποτέλεσμα σοβαρό προσωπικό τραυματισμό από τυχαία έναρξη.

Εγκατάσταση του καλύμματος μπαταριών

▲ΠΡΟΕΙΔΟΠΟΙΗΣΗ: Μην εισαγάγετε το κλειδί ασφάλισης και την κασέτα μπαταριών πριν τοποθετήσετε το κάλυμμα μπαταριών. Αν δεν το κάνετε αυτό, μπορεί να προκληθεί σοβαρός τραυματισμός.

Τοποθετήστε το κάλυμμα μπαταριών πλήρως πριν τη λειτουργία. Το κάλυμμα μπαταριών προστατεύει τη μηχανή γκαζόν και την κασέτα μπαταριών από λάσπη, βρομιά και νερό.

1. Τοποθετήστε το κάλυμμα μπαταριών με τις προεξοχές στη μηχανή γκαζόν ευθυγραμμισμένες με τις οπές στο κάλυμμα μπαταριών.
► **Εικ.1:** 1. Προεξοχή 2. Οπή 3. Κάλυμμα μπαταριών
2. Τοποθετήστε τα χέρια σας στη μέση του καλύμματος μπαταριών και πιέστε το.
► **Εικ.2**
3. Πριν την πρώτη λειτουργία, ελέγξτε ότι το σημείο περιστροφής του καλύμματος μπαταριών είναι προσαρτημένος σωστά. Αν το κάλυμμα μπαταριών τοποθετηθεί σωστά, δεν θα ανοίξει μέχρι να τραβήξετε το μοχλό ασφάλισης καλύμματος μπαταριών.
► **Εικ.3:** 1. Σημείο περιστροφής 2. Μοχλός ασφάλισης καλύμματος μπαταριών

Τοποθέτηση της λαβής

ΕΙΔΟΠΟΙΗΣΗ: Όταν τοποθετείτε τις λαβές, τοποθετήστε τα καλώδια για να μην πιαστούν από οτιδήποτε μεταξύ των λαβών. Αν το καλώδιο είναι κατεστραμμένο, ο διακόπτης της μηχανής γκαζόν μπορεί να μη λειτουργεί.

1. Σύρετε και τα δύο άκρα της κάτω λαβής μέσα στις εγκοπές της μηχανής γκαζόν και μετά σφίξτε πλήρως τις βίδες σύσφιξης.

► **Εικ.4:** 1. Βίδα σύσφιξης 2. Κάτω λαβή

2. Ευθυγραμμίστε τις οπές βιδών της άνω λαβής και της κάτω λαβής. Ασφαλίστε τις με τις βίδες και τα παξιμάδια σύσφιξης.

► **Εικ.5:** 1. Παξιμάδι σύσφιξης 2. Βίδα σύσφιξης

ΠΑΡΑΤΗΡΗΣΗ: Κρατήστε καλά την άνω λαβή για να μην πέσει από το χέρι σας.

3. Προσαρτήστε τους υποδοχείς στις λαβές. Τοποθετήστε το ηλεκτρικό καλώδιο όπως απεικονίζεται στην εικόνα.

► **Εικ.6:** 1. Υποδοχέας

Αφαίρεση του προσαρτήματος εδαφοκάλυψης

Προαιρετικό εξάρτημα

1. Ανοίξτε το πίσω κάλυμμα.

► **Εικ.7:** 1. Πίσω κάλυμμα

2. Κρατήστε το προσάρτημα εδαφοκάλυψης από τη λαβή και μετά τραβήξτε το από το κύριο τμήμα της μηχανής γκαζόν όπως απεικονίζεται στην εικόνα.

► **Εικ.8:** 1. Προσάρτημα εδαφοκάλυψης 2. Λαβή

Τοποθέτηση του καλαθιού γρασιδιού

1. Ανοίξτε το πίσω κάλυμμα.

► **Εικ.9:** 1. Πίσω κάλυμμα

2. Γαντζώστε το καλάθι γρασιδιού στη ράβδο του κυρίου τμήματος της μηχανής γκαζόν όπως απεικονίζεται στην εικόνα.

► **Εικ.10:** 1. Γάντζος 2. Ράβδος 3. Καλάθι γρασιδιού

Σύνδεση του προσαρτήματος εδαφοκάλυψης

Προαιρετικό εξάρτημα

1. Ανοίξτε το πίσω κάλυμμα και μετά αφαιρέστε το καλάθι γρασιδιού.

► **Εικ.11:** 1. Πίσω κάλυμμα 2. Καλάθι γρασιδιού

2. Κρατήστε το προσάρτημα εδαφοκάλυψης από τη λαβή και μετά συνδέστε το στο κύριο τμήμα της μηχανής γκαζόν όπως απεικονίζεται στην εικόνα.

► **Εικ.12:** 1. Προσάρτημα εδαφοκάλυψης 2. Λαβή

ΠΕΡΙΓΡΑΦΗ ΛΕΙΤΟΥΡΓΙΑΣ

Τοποθέτηση ή αφαίρεση της κασέτας μπαταριών

▲ΠΡΟΣΟΧΗ: Να σβήνετε πάντα το μηχάνημα πριν τοποθετήσετε ή αφαιρέσετε την κασέτα μπαταριών.

▲ΠΡΟΣΟΧΗ: Βεβαιωθείτε να ασφαλίσετε το κάλυμμα μπαταριών πριν από τη χρήση. Διαφορετικά, η λάσπη, η σκόνη ή το νερό μπορεί να προκαλέσουν ζημιά στο προϊόν ή στην κασέτα μπαταριών.

▲ΠΡΟΣΟΧΗ: Να τοποθετείτε πάντα την κασέτα μπαταριών πλήρως μέχρι να μην βλέπετε την κόκκινη ένδειξη. Σε αντίθετη περίπτωση, μπορεί να πέσει κατά λάθος από το μηχάνημα και να τραυματίσει εσάς ή κάποιον παρευρισκόμενο.

▲ΠΡΟΣΟΧΗ: Μην τοποθετείτε την κασέτα μπαταριών με βία. Αν η κασέτα δεν εισέρχεται με ευκολία, δεν είναι τοποθετημένη σωστά.

ΠΑΡΑΤΗΡΗΣΗ: Το μηχάνημα δεν λειτουργεί με μόνο μία κασέτα μπαταριών.

Για να τοποθετήσετε την κασέτα μπαταριών:

1. Σύρετε το μοχλό ασφάλισης καλύμματος μπαταριών και ανοίξτε το κάλυμμα μπαταριών.

► **Εικ.13:** 1. Κάλυμμα μπαταριών 2. Μοχλός ασφάλισης καλύμματος μπαταριών

2. Ευθυγραμμίστε τη γλωττίδα της κασέτας μπαταριών με τη σχισμή στη μηχανή γκαζόν και μετά σύρετε την κασέτα μέχρι να ασφαλίσει στη θέση της με ένα χαρακτηριστικό ήχο.

► **Εικ.14:** 1. Κασέτα μπαταριών

3. Εισαγάγετε το κλειδί ασφάλισης στη θέση που απεικονίζεται στην εικόνα μέχρι τέρμα.

► **Εικ.15:** 1. Κλειδί ασφάλισης

4. Κλείστε το κάλυμμα μπαταριών και ωθήστε το μέχρι να ασφαλίσει με το μοχλό ασφάλισης.

Για να βγάλετε την κασέτα μπαταριών από τη μηχανή γκαζόν:

1. Σύρετε το μοχλό ασφάλισης καλύμματος μπαταριών και ανοίξτε το κάλυμμα μπαταριών.

2. Τραβήξτε έξω την κασέτα μπαταριών από τη μηχανή γκαζόν ενώ σύρετε το κουμπί στο μπροστινό μέρος της κασέτας.

3. Τραβήξτε προς τα έξω το κλειδί ασφάλισης.

4. Κλείστε το κάλυμμα μπαταριών.

Σύστημα προστασίας μηχανήματος / μπαταρίας

Το μηχάνημα είναι εξοπλισμένο με ένα σύστημα προστασίας μηχανήματος / μπαταρίας. Αυτό το σύστημα αποκόπτει αυτόματα την ισχύ προς το μοτέρ για να παραταθεί η διάρκεια λειτουργίας του εργαλείου και της μπαταρίας. Το μηχάνημα σταματάει αυτόματα κατά τη διάρκεια της λειτουργίας αν το μηχάνημα ή η μπαταρία βρεθούν κάτω από τις παρακάτω συνθήκες.

Προστασία υπερφόρτωσης

Όταν το μηχάνημα λειτουργεί με τρόπο ώστε να αναγκάζεται να καταναλώνει ασυνήθιστα υψηλό ρεύμα, το μηχάνημα σταματάει αυτόματα χωρίς καμία ένδειξη. Σε αυτή την κατάσταση, απενεργοποιήστε το μηχάνημα και διακόψτε την εφαρμογή που προκαλεί την υπερφόρτωση του μηχανήματος. Μετά, ενεργοποιήστε το μηχάνημα για επανεκκίνηση.

Προστασία υπερθέρμανσης

Όταν το μηχάνημα υπερθερμαίνεται, το μηχάνημα σταματάει αυτόματα. Αφήστε να μειωθεί η θερμοκρασία του μηχανήματος πριν ενεργοποιήσετε ξανά το μηχάνημα.

Προστασία υπερβολικής αποφόρτισης

Όταν μειωθεί η χωρητικότητα μπαταρίας, το μηχάνημα σταματάει αυτόματα. Αν το προϊόν δεν τίθεται σε λειτουργία ακόμα και όταν πραγματοποιείται χειρισμός των διακοπών, βγάλτε τις μπαταρίες από το μηχάνημα και φορτίστε τις.

Υπόδειξη υπόλοιπης χωρητικότητας μπαταρίας

► Εικ.16: 1. Ένδειξη μπαταρίας














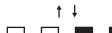


Όταν το υπολειπόμενο φορτίο της μπαταρίας είναι χαμηλό, η ένδειξη μπαταρίας αναβοσβήνει στην κατάλληλη πλευρά μπαταρίας. Με περαιτέρω χρήση, το μηχάνημα σταματάει και η ένδειξη μπαταρίας ανάβει για περίπου 10 δευτερόλεπτα. Σε αυτή την κατάσταση, φορτίστε την κασέτα μπαταριών.

Εμφάνιση υπολειπόμενης χωρητικότητας μπαταρίας

Μόνο για κασέτες μπαταρίας με την ενδεικτική λυχνία

► Εικ.17: 1. Ενδεικτικές λυχνίες 2. Κουμπί ελέγχου

Πίστετε το κουμπί ελέγχου στην κασέτα μπαταριών για να υποδείξετε την υπολειπόμενη χωρητικότητα μπαταρίας. Οι ενδεικτικές λυχνίες ανάβουν για λίγα δευτερόλεπτα.

Ενδεικτικές λυχνίες			Υπολειπόμενη χωρητικότητα
 Αναμμένες	 Σβηστές	 Αναβοσβήνουν	
			75% έως 100%
			50% έως 75%
			25% έως 50%
			0% έως 25%
			Φορτίστε την μπαταρία.
 	 		Μπορεί να προέκυψε δυσλειτουργία στην μπαταρία.

ΠΑΡΑΤΗΡΗΣΗ: Ανάλογα με τις συνθήκες χρήσης και τη θερμοκρασία περιβάλλοντος, η ένδειξη μπορεί να διαφέρει λίγο από την πραγματική χωρητικότητα.

Δράση διακόπτη

▲ΠΡΟΕΙΔΟΠΟΙΗΣΗ: Πριν τοποθετήσετε την κασέτα μπαταριών, να ελέγχετε πάντοτε ότι ο μοχλός διακόπτη ενεργοποιείται κανονικά και επιστρέφει στην αρχική θέση όταν ελευθερώνεται. Η λειτουργία ενός μηχανήματος με ένα διακόπτη που δεν ενεργοποιείται σωστά μπορεί να οδηγήσει σε απώλεια ελέγχου και σοβαρό προσωπικό τραυματισμό.

ΠΑΡΑΤΗΡΗΣΗ: Η μηχανή γκαζόν δεν ενεργοποιείται αν δεν πατήσετε το κουμπί διακόπτη ακόμα και αν έχετε τραβήξει το μοχλό διακόπτη.

ΠΑΡΑΤΗΡΗΣΗ: Η μηχανή γκαζόν δεν ξεκινάει λόγω της υπερφόρτωσης που συμβαίνει όταν προσπαθείτε να κουρέψετε πολύ μακρύ ή πυκνό γκαζόν με τη μία. Στην περίπτωση αυτή αυξήστε το ύψος κουρέματος.

Αυτή η μηχανή γκαζόν είναι εξοπλισμένη με διακόπτη αλληλασφάλισης και διακόπτη λαβής. Αν παρατηρήσετε οτιδήποτε ασυνήθιστο με οποιονδήποτε από αυτούς τους διακόπτες, διακόψτε αμέσως τη λειτουργία και φροντίστε να ελεγχθούν από το πλησιέστερο εξουσιοδοτημένο κέντρο εξυπηρέτησης της Makita.

1. Τοποθετήστε τις κασέτες μπαταριών. Εισαγάγετε το κλειδί ασφάλισης στο διακόπτη αλληλασφάλισης και μετά κλείστε το κάλυμμα μπαταριών.

► Εικ.18: 1. Κασέτα μπαταριών 2. Κλειδί ασφάλισης

2. Πατήστε παρατεταμένα το κουμπί διακόπτη.

3. Πιάστε την άνω λαβή και τραβήξτε το μοχλό διακόπτη.

► Εικ.19: 1. Κουμπί διακόπτης 2. Μοχλός διακόπτης

4. Αφήστε το κουμπί διακόπτη μόλις πάρει μπροστά το μοτέρ. Η μηχανή γκαζόν θα συνεχίσει να λειτουργεί μέχρι να αφήσετε το μοχλό διακόπτη.

5. Για να σταματήσετε το μοτέρ, αφήστε το μοχλό διακόπτη.

Ρύθμιση του ύψους κουρέματος

▲ΠΡΟΕΙΔΟΠΟΙΗΣΗ: Μη βάζετε ποτέ το χέρι ή το πόδι σας κάτω από τη μονάδα της μηχανής γκαζόν όταν ρυθμίζετε το ύψος κουρέματος.

▲ΠΡΟΕΙΔΟΠΟΙΗΣΗ: Να βεβαιώνετε πάντα ότι ο μοχλός προσαρμόζεται σωστά στην εγκοπή πριν από τη λειτουργία.

Το ύψος κουρέματος μπορεί να ρυθμιστεί στο εύρος από 20 mm έως 75 mm.

1. Βγάλτε το κλειδί ασφάλισης.

2. Τραβήξτε το μοχλό ρύθμισης ύψους κουρέματος προς την εξωτερική πλευρά της μονάδας της μηχανής γκαζόν και μετακινήστε τη στο ύψος κουρέματος που επιθυμείτε.

► Εικ.20: 1. Μοχλός ρύθμισης ύψους κουρέματος

ΠΑΡΑΤΗΡΗΣΗ: Οι τιμές του ύψους κουρέματος πρέπει να χρησιμοποιούνται μόνο ως οδηγός. Ανάλογα με τις συνθήκες χρήσης του γκαζόν ή του εδάφους, το πραγματικό ύψος γκαζόν μπορεί να διαφέρει λίγο από το ρυθμισμένο ύψος.

ΠΑΡΑΤΗΡΗΣΗ: Κάντε ένα δοκιμαστικό κούρεμα του γκαζόν σε ένα λιγότερο εμφανές μέρος για να πετύχετε το επιθυμητό ύψος.

Ένδειξη στάθμης γρασιδιού

► **Εικ.21:** 1. Ένδειξη στάθμης γρασιδιού

Η ένδειξη στάθμης γρασιδιού δείχνει τον όγκο του κουρεμένου γρασιδιού.

- Όταν το καλάθι γρασιδιού δεν είναι γεμάτο, η ένδειξη αιωρείται κατά το κούρεμα.
- Όταν το καλάθι γρασιδιού είναι γεμάτο, η ένδειξη δεν αιωρείται κατά το κούρεμα. Σε αυτή την περίπτωση, διακόψτε αμέσως το κούρεμα του γκαζόν και αδειάστε το καλάθι. Αφού αδειάσετε το καλάθι, καθαρίστε το ώστε να διέρχεται αέρας από το δίχτυ.

ΠΑΡΑΤΗΡΗΣΗ: Αυτή η ένδειξη είναι ένας πρόχειρος οδηγός. Ανάλογα με τις συνθήκες στο εσωτερικό του καλάθιού, αυτή η ένδειξη μπορεί να μη λειτουργεί σωστά.

Χρήση του προσαρτήματος εδαφοκάλυψης

Προαιρετικό εξάρτημα

Το προσάρτημα εδαφοκάλυψης σας επιτρέπει να επιστρέψετε το κομμένο γκαζόν στο έδαφος χωρίς να μαζέψετε το κομμένο γκαζόν μέσα στο καλάθι γρασιδιού. Όταν θέτετε το μηχάνημα σε λειτουργία με προσάρτημα εδαφοκάλυψης, βεβαιωθείτε να αφαιρέσετε το καλάθι γρασιδιού.

ΕΙΔΟΠΟΙΗΣΗ: Όταν χρησιμοποιείτε το μηχάνημα με προσάρτημα εδαφοκάλυψης, βεβαιωθείτε ότι το συνολικό μήκος του γρασιδιού μετά την κοπή είναι 30 mm ή μεγαλύτερο, και το μήκος κοπής είναι 15 mm ή μικρότερο.

► **Εικ.22:** (1) 30 mm ή μεγαλύτερο (2) 15 mm ή λιγότερο

ΛΕΙΤΟΥΡΓΙΑ

Κούρεμα γκαζόν

▲ΠΡΟΕΙΔΟΠΟΙΗΣΗ: Πριν κουρέψετε το γκαζόν, καθαρίστε τα ξύλα και τις πέτρες από την περιοχή που θα κουρέψετε. Επιπλέον, καθαρίστε εκ των προτέρων τυχόν αγριόχορτα από την περιοχή που θα κουρέψετε.

▲ΠΡΟΕΙΔΟΠΟΙΗΣΗ: Να φοράτε πάντα προστατευτικά γυαλιά-προσωπίδες ή γυαλιά ασφαλείας με πλαϊνά προστατευτικά όταν χειρίζεστε τη μηχανή γκαζόν.

▲ΠΡΟΣΟΧΗ: Αν το κομμένο γκαζόν ή κάποιο ξένο αντικείμενο κολλήσει μέσα στο κύριο τμήμα της μηχανής γκαζόν, βεβαιωθείτε να αφαιρέσετε το κλειδί ασφάλισης και την κασέτα μπαταριών και να φορέσετε γάντια πριν αφαιρέσετε το γρασιδί ή το ξένο αντικείμενο.

ΕΙΔΟΠΟΙΗΣΗ: Χρησιμοποιήστε αυτό το μηχάνημα μόνο για το κούρεμα του γκαζόν. Μην κουρεύετε αγριόχορτα με αυτό το μηχάνημα.

► **Εικ.23**

Κατά το κούρεμα, να κρατάτε τη λαβή σταθερά με τα δύο χέρια.

Οι κατευθυντήριες οδηγίες για την ταχύτητα κουρέματος είναι περίπου 1 μέτρο ανά 4 δευτερόλεπτα.

► **Εικ.24**

Τα εξωτερικά άκρα των μπροστινών τροχών αποτελούν οδηγούς για το πλάτος κουρέματος. Χρησιμοποιώντας τα εξωτερικά άκρα των μπροστινών τροχών ως οδηγούς, κουρέψτε το γκαζόν σε λωρίδες. Επικάλυψτε το μισό ή το ένα τρίτο της προηγούμενης λωρίδας για να πετύχετε ομοιόμορφο κούρεμα του γκαζόν.

► **Εικ.25:** 1. Πλάτος κουρέματος 2. Περιοχή επικάλυψης 3. Εξωτερικό άκρο

Να αλλάζετε την κατεύθυνση κουρέματος κάθε φορά για να εμποδίσετε την ανάπτυξη των σπόρων γρασιδιού μόνο προς μία κατεύθυνση.

► **Εικ.26**

Να ελέγχετε περιοδικά το καλάθι γρασιδιού για κουρεμένο γρασιδί. Αδειάστε το καλάθι γρασιδιού πριν γεμίσει. Πριν από κάθε περιοδικό έλεγχο, βεβαιωθείτε να σβήσετε τη μηχανή γκαζόν και μετά να βγάλετε το κλειδί ασφάλισης και την κασέτα μπαταριών.

ΕΙΔΟΠΟΙΗΣΗ: Η χρήση της μηχανής γκαζόν με το καλάθι γρασιδιού γεμάτο αποτρέπει την ομαλή περιστροφή της λάμας και θέτει επιπλέον φορτίο στο μοτέρ, το οποίο μπορεί να προκαλέσει βλάβη.

Κούρεμα μακριού γκαζόν

Μην προσπαθείτε να κουρέψετε μακρύ γκαζόν με τη μία. Αντ' αυτού, κουρέψτε το γκαζόν σε στάδια. Αφήστε μία ή δύο μέρες ανάμεσα στα κούρεματα, μέχρι το γκαζόν να είναι ομοιόμορφα κοντό.

ΠΑΡΑΤΗΡΗΣΗ: Αν κουρέψετε το μακρύ γκαζόν κοντό με τη μία μπορεί να έχει ως αποτέλεσμα να νεκρωθεί το γκαζόν. Το κομμένο χορτάρι μπορεί επίσης να φράξει το εσωτερικό της μονάδας της μηχανής γκαζόν.

Άδειασμα του καλάθιού γρασιδιού

▲ΠΡΟΕΙΔΟΠΟΙΗΣΗ: Για τη μέγιστη του κινδύνου πρόκλησης ατυχήματος, να ελέγχετε τακτικά το καλάθι γρασιδιού για τυχόν ζημιά ή μειωμένη αντοχή. Αντικαταστήστε το καλάθι γρασιδιού, αν απαιτείται.

1. Απελευθερώστε το μοχλό διακόπτη.

2. Βγάλτε το κλειδί ασφάλισης.

3. Ανοίξτε το πίσω κάλυμμα και βγάλτε το καλάθι γρασιδιού ενώ κρατάτε τη λαβή.

► **Εικ.27:** 1. Πίσω κάλυμμα 2. Λαβή

4. Αδειάστε το καλάθι γρασιδιού.

ΣΥΝΤΗΡΗΣΗ

▲ΠΡΟΕΙΔΟΠΟΙΗΣΗ: Να βεβαιώνετε πάντα ότι έχετε βγάλει το κλειδί ασφάλισης και την κασέτα μπαταριών από τη μηχανή γκαζόν πριν από την αποθήκευση ή τη μεταφορά της μηχανής γκαζόν καθώς και πριν επιχειρήσετε να εκτελέσετε εργασίες επιθεώρησης ή συντήρησης.

▲ΠΡΟΕΙΔΟΠΟΙΗΣΗ: Να αφαιρείτε πάντοτε το κλειδί ασφάλισης όταν δεν χρησιμοποιείτε τη μηχανή γκαζόν. Φυλάξτε το κλειδί ασφάλισης σε ένα ασφαλές μέρος μακριά από παιδιά.

▲ΠΡΟΕΙΔΟΠΟΙΗΣΗ: Να φοράτε γάντια όταν εκτελείτε εργασίες επιθεώρησης ή συντήρησης.

▲ΠΡΟΕΙΔΟΠΟΙΗΣΗ: Να φοράτε πάντα προστατευτικά γυαλιά-προσωπίδες ή γυαλιά ασφαλείας με πλαϊνά προστατευτικά όταν εκτελείτε εργασίες επιθεώρησης ή συντήρησης.

ΕΙΔΟΠΟΙΗΣΗ: Μην χρησιμοποιείτε ποτέ βενζίνη, πετρελαϊκό αιθέρο, διαλυτικό, αλκοόλη ή παρόμοιες ουσίες. Μπορεί να προκληθεί αποχρωματισμός, παραμόρφωση ή ρωγμές.

Για τη διατήρηση της ΑΣΦΑΛΕΙΑΣ και ΑΞΙΟΠΙΣΤΙΑΣ του προϊόντος, οι επισκευές και οποιαδήποτε άλλη εργασία συντήρησης ή ρύθμισης πρέπει να εκτελούνται από εξουσιοδοτημένα ή εργοστασιακά κέντρα εξυπηρέτησης της Makita, χρησιμοποιώντας πάντοτε ανταλλακτικά της Makita.

Συντήρηση

1. Βγάλτε το κλειδί ασφάλισης. Φυλάξτε το σε ένα ασφαλές μέρος μακριά από παιδιά.
2. Καθαρίστε τη μηχανή γκαζόν μόνο με ένα βρεγμένο πανί. Μην ψεκάζετε και μη χύνετε νερό στη μηχανή γκαζόν όταν την καθαρίζετε.
3. Τοποθετήστε τη μηχανή γκαζόν στο πλάι και καθαρίστε τα μικρά κομμάτια χορταριού που έχουν συσσωρευτεί στο κάτω μέρος της βάσης της μηχανής γκαζόν.
4. Ελέγξτε αν είναι σφικτά όλα τα παξιμάδια, τα μπουλόνια, οι διακόπτες, οι βίδες, οι σύνδεσμοι, κτλ.
5. Επιθεωρήστε τα κινούμενα μέρη για ζημιά, σπάσιμο και φθορά. Τα μέρη που έχουν υποστεί ζημιά ή που λείπουν πρέπει να επισκευαστούν ή να αντικατασταθούν.

Αποθήκευση

▲ΠΡΟΕΙΔΟΠΟΙΗΣΗ: Κατά τη μεταφορά ή αποθήκευση της μηχανής γκαζόν, μην την κρατάτε από τις αναδιπλούμενες λαβές αλλά να πιάνετε την μπροστινή λαβή της μηχανής γκαζόν. Αν κρατάτε τη μηχανή γκαζόν από τις αναδιπλούμενες λαβές, μπορεί να προκληθεί σοβαρός τραυματισμός ή ζημιά στη μηχανή γκαζόν.

Πριν από την αποθήκευση της μηχανής γκαζόν, βγάλτε την κασέτα μπαταριών και το κλειδί ασφάλισης. Αποθηκεύστε τη μηχανή γκαζόν σε εσωτερικό, δροσερό και στεγνό, κλειδωμένο χώρο. Μην αποθηκεύετε τη μηχανή γκαζόν και το φορτιστή σε μέρη όπου η θερμοκρασία μπορεί να φτάσει ή να ξεπεράσει τους 40 °C.
► **Εικ.28:** 1. Μπροστινή λαβή 2. Πίσω λαβή

1. Χαλαρώστε τις βίδες σύσφιξης και επεκτείνετε την κάτω λαβή προς τις δύο πλευρές. Μετακινήστε τη λαβή προς τα εμπρός. Αυτή τη στιγμή, κρατήστε καλά την κάτω λαβή για να μην πέσει η λαβή στη μακρινή πλευρά της μονάδας της μηχανής γκαζόν.

► **Εικ.29:** 1. Βίδα σύσφιξης 2. Κάτω λαβή

2. Χαλαρώστε τα παξιμάδια σύσφιξης και περιστρέψτε την άνω λαβή προς τα πίσω ενώ επεκτείνεται και τις δύο πλευρές.

► **Εικ.30:** 1. Παξιμάδι σύσφιξης 2. Άνω λαβή

3. Αποθηκεύστε το καλάθι γρασιδιού μεταξύ της λαβής και του σώματος της μηχανής γκαζόν.

► **Εικ.31:** 1. Καλάθι γρασιδιού

ΠΑΡΑΤΗΡΗΣΗ: Όταν τοποθετείτε τη μηχανή γκαζόν στην όρθια θέση, μην κρατάτε τη λαβή αλλά να χρησιμοποιείτε την μπροστινή λαβή της μηχανής γκαζόν.

Αφαίρεση ή τοποθέτηση της λάμας της μηχανής γκαζόν

▲ΠΡΟΕΙΔΟΠΟΙΗΣΗ: Να αφαιρείτε πάντα το κλειδί ασφάλισης και την κασέτα μπαταριών όταν αφαιρείτε ή τοποθετείτε τη λάμα. Αν δεν αφαιρέσετε το κλειδί ασφάλισης και την κασέτα μπαταριών μπορεί να προκληθεί σοβαρός τραυματισμός.

▲ΠΡΟΕΙΔΟΠΟΙΗΣΗ: Η λάμα κινείται ελεύθερα για μερικά δευτερόλεπτα αφού αφήσετε το διακόπτη. Μην ξεκινήσετε καμία λειτουργία αν η λάμα δεν σταματήσει εντελώς.

▲ΠΡΟΕΙΔΟΠΟΙΗΣΗ: Να φοράτε πάντα γάντια κατά το χειρισμό της λάμας.

Αφαίρεση της λάμας της μηχανής γκαζόν

Για DLM382

1. Τοποθετήστε τη μηχανή γκαζόν στο πλάι ώστε ο μοχλός ρύθμισης ύψους κουρέματος να τοποθετηθεί στην άνω πλευρά.
2. Για να ασφαλίσετε την περιστροφή της λάμας, εισαγάγετε ένα κατασβίδι ή παρόμοιο εργαλείο μέσα στην οπή στο κύριο τμήμα της μηχανής γκαζόν.
3. Περιστρέψτε το μπουλόνι αριστερόστροφα με το κλειδί.

► **Εικ.32:** 1. Λάμα της μηχανής γκαζόν 2. Κατασβίδι 3. Κλειδί

4. Αφαιρέστε το μπουλόνι και τη λάμα με τη σειρά.

► **Εικ.33:** 1. Στήριξη λάμας 2. Λάμα της μηχανής γκαζόν 3. Μπουλόνι

Για DLM432

1. Τοποθετήστε τη μηχανή γκαζόν στο πλάι ώστε ο μοχλός ρύθμισης ύψους κουρέματος να τοποθετηθεί στην άνω πλευρά.

2. Για να ασφαλίσετε την περιστροφή της λάμας, εισαγάγετε ένα κατασβίδι ή παρόμοιο εργαλείο μέσα στην οπή στο κύριο τμήμα της μηχανής γκαζόν.

3. Περιστρέψτε το μπουλόνι αριστερόστροφα με το κλειδί.

► **Εικ.34:** 1. Λάμα της μηχανής γκαζόν 2. Κατσαβίδι 3. Κλειδί

4. Αφαιρέστε το μπουλόνι, την εξωτερική φλάντζα, τη λάμα της μηχανής γκαζόν και την εσωτερική φλάντζα με τη σειρά.

► **Εικ.35:** 1. Εσωτερική φλάντζα 2. Λάμα της μηχανής γκαζόν 3. Εξωτερική φλάντζα 4. Μπουλόνι

Τοποθέτηση της λάμας της μηχανής γκαζόν

Για να τοποθετήσετε τη λάμα της μηχανής γκαζόν, ακολουθήστε τη διαδικασία αφαίρεσης με αντίστροφη σειρά.

▲ΠΡΟΕΙΔΟΠΟΙΗΣΗ: Τοποθετήστε τη λάμα της μηχανής γκαζόν προσεκτικά. Έχει άνω/κάτω πρόσοψη. Τοποθετήστε τη λάμα ώστε το περιστροφικό βέλος κατεύθυνσης να είναι στραμμένο προς τα έξω.

▲ΠΡΟΕΙΔΟΠΟΙΗΣΗ: Σφίξτε καλά το μπουλόνι δεξιόστροφα για να ασφαλίσετε τη λάμα.

▲ΠΡΟΕΙΔΟΠΟΙΗΣΗ: Βεβαιωθείτε ότι η λάμα της μηχανής γκαζόν και όλα τα μέρη στερέωσης είναι σωστά τοποθετημένα και καλά σφιγμένα.

▲ΠΡΟΕΙΔΟΠΟΙΗΣΗ: Όταν αλλάζετε τις λάμες, πάντα να ακολουθείτε τις οδηγίες που παρέχονται στο παρόν εγχειρίδιο.

ΑΝΤΙΜΕΤΩΠΙΣΗ ΠΡΟΒΛΗΜΑΤΩΝ

Πριν ζητήσετε επισκευές, εκτελέστε αρχικά τη δική σας επιθεώρηση. Αν εντοπίσετε πρόβλημα που δεν επεξηγείται στο εγχειρίδιο, μην επιχειρήσετε να αποσυναρμολογήσετε το εργαλείο. Αντ' αυτού, ζητήστε βοήθεια από εξουσιοδοτημένα κέντρα εξυπηρέτησης της Makita και πάντοτε να χρησιμοποιείτε γνήσια ανταλλακτικά της Makita.

Κατάσταση προβλήματος	Πιθανή αιτία (δυσλειτουργία)	Αποκατάσταση
Η μηχανή γκαζόν δεν ενεργοποιείται.	Δεν είναι τοποθετημένες δύο κασέτες μπαταριών.	Τοποθετήστε τις φορτισμένες κασέτες μπαταριών.
	Πρόβλημα μπαταριών (μικρή τάση)	Επαναφορτίστε την κασέτα μπαταριών. Αν η επαναφόρτιση δεν είναι αποτελεσματική, αντικαταστήστε την κασέτα μπαταριών.
	Δεν έχετε εισαγάγει το κλειδί ασφάλισης.	Εισαγάγετε το κλειδί ασφάλισης.
Το μοτέρ σταματά να λειτουργεί μετά από μικρή χρήση.	Το επίπεδο φόρτισης μπαταρίας είναι χαμηλό.	Επαναφορτίστε την κασέτα μπαταριών. Αν η επαναφόρτιση δεν είναι αποτελεσματική, αντικαταστήστε την κασέτα μπαταριών.
	Το ύψος κουρέματος έχει ρυθμιστεί πολύ χαμηλά.	Αυξήστε το ύψος κουρέματος.
Το μοτέρ δεν φτάνει τις μέγιστες ΣΑΛ.	Η κασέτα μπαταριών δεν είναι σωστά τοποθετημένη.	Τοποθετήστε την κασέτα μπαταριών όπως περιγράφεται σε αυτό το εγχειρίδιο.
	Η ισχύς της μπαταρίας πέφτει.	Επαναφορτίστε την κασέτα μπαταριών. Αν η επαναφόρτιση δεν είναι αποτελεσματική, αντικαταστήστε την κασέτα μπαταριών.
	Το σύστημα μετάδοσης κίνησης δεν λειτουργεί σωστά.	Απευθυνθείτε στο τοπικό εξουσιοδοτημένο κέντρο εξυπηρέτησης για επισκευή.
Η λάμα της μηχανής γκαζόν δεν περιστρέφεται: ⇒ σταματήστε αμέσως τη μηχανή γκαζόν!	Έχει φράξει ένα ξένο αντικείμενο, όπως ένα κλαδί, κοντά στη λάμα.	Αφαιρέστε το ξένο αντικείμενο.
	Το σύστημα μετάδοσης κίνησης δεν λειτουργεί σωστά.	Απευθυνθείτε στο τοπικό εξουσιοδοτημένο κέντρο εξυπηρέτησης για επισκευή.
Ασυνήθιστοι κραδασμοί: ⇒ σταματήστε αμέσως τη μηχανή γκαζόν!	Η λάμα δεν είναι ισορροπημένη ή έχει φθαρεί υπερβολικά ή ανομοιόμορφα.	Αντικαταστήστε τη λάμα.

ΠΡΟΑΙΡΕΤΙΚΑ ΕΞΑΡΤΗΜΑΤΑ

⚠ ΠΡΟΣΟΧΗ: Αυτά τα εξαρτήματα ή προσαρτήματα συνιστώνται για χρήση με το εργαλείο Makita που περιγράφηκε στις οδηγίες αυτές. Η χρήση οποιωνδήποτε άλλων εξαρτημάτων ή προσαρτημάτων μπορεί να προκαλέσει κίνδυνο τραυματισμού σε άτομα. Να χρησιμοποιείτε τα εξαρτήματα ή προσαρτήματα μόνο για την χρήση που προορίζονται.

Εάν χρειάζεστε οποιαδήποτε βοήθεια για περισσότερες πληροφορίες σε σχέση με αυτά τα εξαρτήματα, αποταθείτε στο τοπικό σας κέντρο εξυπηρέτησης Makita.

- Λάμα της μηχανής γκαζόν
- Προσάρτημα εδαφοκάλυψης
- Γνήσια μπαταρία και φορτιστής της Makita

ΠΑΡΑΤΗΡΗΣΗ: Μερικά στοιχεία στη λίστα μπορεί να συμπεριλαμβάνονται στη συσκευασία εργαλείου ως στάνταρ εξαρτήματα. Μπορεί να διαφέρουν ανάλογα με τη χώρα.

TEKNİK ÖZELLİKLER

Model:	DLM382	DLM432	
Bıçme genişliği (bıçak çapı)	380 mm	430 mm	
Yüksüz hız	3.700 min ⁻¹	3.600 min ⁻¹	
Yedek çim biçme makinesi bıçağı parça numarası	191D41-2	191D43-8	
Boyutlar (U x G x Y)	çalışma sırasında	U: 1.380 mm ila 1.410 mm G: 450 mm Y: 985 mm ila 1.005 mm	U: 1.435 mm ila 1.490 mm G: 460 mm Y: 1.005 mm ila 1.045 mm
	saklama sırasında (çim sepetsiz)	860 mm x 450 mm x 475 mm	865 mm x 460 mm x 475 mm
Anma gerilimi	D.C. 36 V		
Net ağırlık	15,0 - 16,5 kg	15,4 - 17,1 kg	

- Sürekli yapılan araştırma ve geliştirmelerden dolayı, burada belirtilen özellikler önceden bildirilmeksizin değiştirilebilir.
- Özellikler ülkeden ülkeye değişebilir.
- Ağırlık, ekli aksesuar/aksesuarlara ve batarya kartuşuna bağlı olarak farklılık gösterebilir. EPTA-Prosedürü 01/2014'e göre en hafif ve en ağır kombinasyonlar tabloda verilmiştir.

Geçerli batarya kartuşu ve şarj aleti

Batarya kartuşu	BL1815N / BL1820 / BL1820B / BL1830 / BL1830B / BL1840 / BL1840B / BL1850 / BL1850B / BL1860B
Şarj aleti	DC18RC / DC18RD / DC18RE / DC18SD / DC18SE / DC18SF / DC18SH

- Yukarıda listelenen batarya kartuşlarının ve şarj aletlerinin bazıları yaşadığımız bölgeye bağlı olarak mevcut olmayabilir.

UYARI: Sadece yukarıda listelenen batarya kartuşlarını ve şarj aletlerini kullanın. Başka batarya kartuşlarının ve şarj aletlerinin kullanılması yaralanma ve/veya yangına neden olabilir.

UYARI: Batarya adaptörü veya taşınabilir güç ünitesi gibi kablolu güç kaynaklarını bu makine ile kullanmayın. Bu tür güç kaynaklarının kablosu çalışmayı engelleyebilir ve yaralanmaya neden olabilir.

Semboller

Ekipmanı için kullanılabilecek semboller aşağıda gösterilmiştir. Kullanmadan önce anlamlarını anladığınızdan emin olun.

	Çok özenli ve dikkatli kullanın.
	El kitabını okuyun.
	Tehlike; sıçrayan nesnelere korunun.
	Alet ile etrafındaki kişiler arasında en az 15 m mesafe olmalıdır.
	Ellerinizi ve ayaklarınızı asla çim biçme makinesinin altındaki bıçaklara yaklaştırmayın. Motor durdurulduktan sonra bıçaklar dönmeye devam eder.
	Kontrol, ayarlama, temizleme, servis, kenara kaldırma ve depolama işlemlerinden önce kilit anahtarını çıkarın.



Sadece AB ülkeleri için Elektrik donanımını ve batarya kutusunu evsel atıklarla birlikte bertaraf etmeyiniz! Atık Elektrikli ve Elektronik Donanımlar, Piller ve Akümülatörler ve Atık Piller ve Akümülatörler konusundaki Avrupa Direktifleri ve bunların ulusal yasalara uygulanmaları uyarınca, kullanım ömürleri biten elektrikli donanımların, pillerin ve pil takım(lar)ının ayrı toplanmaları ve çevreye uyumlu bir geri dönüşüm tesisine getirilmeleri gereklidir.

Kullanım amacı

Bu makine çim biçmek için tasarlanmıştır.

Gürültü

Tipik A-ağırlıklı gürültü düzeyi (EN60335-2-77 standardına göre belirlenen):

Model DLM382

Ses basınç seviyesi (L_{pA}): 81 dB (A)

Ses gücü düzeyi (L_{WA}): 91 dB (A)

Belirsizlik (K): 3 dB (A)

Model DLM432

Ses basınç seviyesi (L_{pA}): 81 dB (A)

Ses gücü düzeyi (L_{WA}): 92 dB (A)

Belirsizlik (K): 3 dB (A)

NOT: Beyan edilen gürültü emisyonu değer(ler)i bir standart test yöntemine uygun şekilde ölçülmüştür ve bir aleti bir başkasıyla karşılaştırmak için kullanılabilir.

NOT: Beyan edilen gürültü emisyonu değer(ler)i bir ön maruz kalma değerlendirmesi olarak da kullanılabilir.

UYARI: Kulak koruyucuları takın.

UYARI: Elektrikli aletin gerçek kullanımı sırasındaki gürültü emisyonu, aletin kullanım biçimlerine, özellikle işlenen iş parçasının türüne bağlı olarak beyan edilen değer(ler)den farklı olabilir.

UYARI: Gerçek kullanım koşullarındaki tahmini maruziyeti baz alan, operatörü koruyacak güvenlik önlemlerini mutlaka belirleyin (çalışma döngüsü içerisinde aletin kapalı olduğu ve aktif durumda olmasının yanı sıra boşta çalıştığı zamanlar gibi, bütün zaman dilimleri göz önünde bulundurarak).

Titreşim

Titreşim toplam değeri (üç eksenli vektör toplamı) (EN60335-2-77 standardına göre hesaplanan):

Model DLM382

Titreşim emisyonu (a_h): 2,5 m/s² den az

Belirsizlik (K) : 2,0 m/s²

Model DLM432

Titreşim emisyonu (a_h): 2,5 m/s² den az

Belirsizlik (K) : 1,5 m/s²

NOT: Beyan edilen titreşim toplam değer(ler)i bir standart test yöntemine uygun şekilde ölçülmüştür ve bir aleti bir başkasıyla karşılaştırmak için kullanılabilir.

NOT: Beyan edilen titreşim toplam değer(ler)i bir ön maruz kalma değerlendirmesi olarak da kullanılabilir.

UYARI: Elektrikli aletin gerçek kullanımı sırasındaki titreşim emisyonu, aletin kullanım biçimlerine, özellikle işlenen iş parçasının türüne bağlı olarak beyan edilen değer(ler)den farklı olabilir.

UYARI: Gerçek kullanım koşullarındaki tahmini maruziyeti baz alan, operatörü koruyacak güvenlik önlemlerini mutlaka belirleyin (çalışma döngüsü içerisinde aletin kapalı olduğu ve aktif durumda olmasının yanı sıra boşta çalıştığı zamanlar gibi, bütün zaman dilimleri göz önünde bulundurarak).

EC Uygunluk Beyanı

Sadece Avrupa ülkeleri için

EC uygunluk beyanı bu kullanım kılavuzuna Ek A olarak eklenmiştir.

GÜVENLİK UYARILARI

ÖNEMLİ GÜVENLİK TALİMATLARI

UYARI: Tüm güvenlik uyarılarını ve tüm talimatları okuyun. Uyarılara ve talimatlara uyulmaması elektrik şoku, yangın ve/veya ciddi yaralanmalar ile sonuçlanabilir.

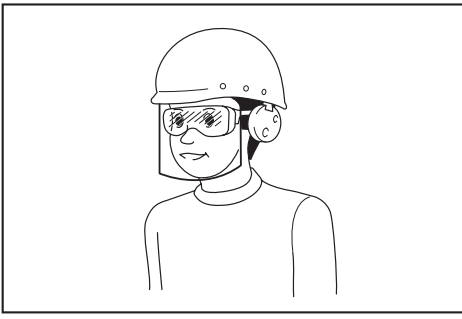
Tüm uyarıları ve talimatları ile-ride başvurmak için saklayın.

Eğitim

1. Talimatları dikkatlice okuyun. Çim biçme makinesinin kontrollerine ve düzgün kullanımına aşinalık kazanın.
2. Bu talimatlar konusunda bilgisi olmayan çocukların ve büyüklerin çim biçme makinesini kullanmasına asla izin vermeyin. Yerel düzenlemeler kullanıcı yaşına sınırlandırma getirebilir.
3. Çim biçme makinesini asla çevresinde insanlar, özellikle de çocuklar veya evcil hayvanlar varken kullanmayın.
4. Diğer insanlara ya da mallarına gelecek zararlardan ve kazalardan operatör ya da kullanıcının sorumlu olduğunu unutmayın.
5. Çocuklar çim biçme makinesiyle oynamadıklarından emin olmak için gözlemlenmelidir.
6. Fiziksel durum - Uyuşturucu, alkol ya da herhangi bir ilacın etkisinden çim biçme makinesini kullanmayın.

Hazırlık

1. Çim biçme makinesini kullanırken daima uygun bir ayakkabı ve uzun pantolon giyin. Çim biçme makinesini çıplak ayakla ya da açık sandaletlerle kullanmayın. Bol ya da askılı, bağcıklı kıyafetler veya takılar takmaktan kaçının. Hareket eden parçalara takılabilir.
2. Kullanmadan önce çim biçme makinesinde hasar, elektrik veya hatalı yerleştirilmiş koruma veya siper olup olmadığını gözle mutlaka kontrol edin.
3. Biçme işlemine başlamadan önce alanda kimse olmadığını emin olun. Alana birisi girerse çim biçme makinesini durdurun.
4. Kullanıma hazır oluncaya kadar kilit anahtarını çim biçme makinesine takmayın.
5. Elektrikli aletleri kullanırken gözlerinizi korumak için daima koruyucu gözlük kullanın. Gözlüklerin ABD'de ANSI Z87.1 ile, Avrupa'da EN 166 ile ya da Avustralya/Yeni Zelanda'da AS/NZS 1336 ile uyumlu olması gereklidir. Avustralya/Yeni Zelanda'da, yüzünüzü korumanız için yüz koruyucu maske kullanılması da yasal olarak gereklidir.



Alet operatörlerinin ve çalışma alanının yakınında çalışan diğer kişilerin uygun koruyucu güvenlik ekipmanlarını kullanmasını sağlanması, işverenin yükümlülüğündedir.

6. Kullanmadan önce bıçaklarda veya bıçak cıvatalarında çatlak ya da hasar olup olmadığını kontrol edin. Çatlak ya da hasarlı bıçakları veya bıçak cıvatalarını hemen değiştirin.
7. Kişisel yaralanmaları veya çim biçme makinesine zarar gelmesini önlemek için taş, tel, şişe, kemik, kalın dallar gibi yabancı maddeleri biçme işlemine başlamadan önce alandan kaldırın.
8. Çim biçme makinesi biçtiği nesnelere etraftaki kişilerin ciddi şekilde yaralanmasına sebep olabilir. Her biçme işleminden önce çim kontrol edilmeli ve üzerindeki tüm nesnelere kaldırılmalıdır.
9. Çukur, teker izi, tümsek, kaya veya başka saklı nesnelere dikkat edin. Engebeli arazi kayma ve düşme kazasına neden olabilir. Yüksek çim engelleri gizleyebilir.

Kullanım

1. Fazla ileriye uzanmaya çalışmayın. Dengeyi her zaman koruyun. Eğimli yerlerde adımlarınıza dikkat edin. Yürüyerek kullanın, asla koşmayın.
2. Şunları yapmadan önce çim biçme makinesini durdurun, kilit anahtarını çıkarın ve hareket eden tüm parçaların tamamen durduğundan emin olun:
 - çim biçme makinesini kullanmayı bıraktığınızda,
 - tıkanmaları temizlemeden ya da sepeti boşaltmadan önce,
 - kontrol etmeden, temizlemeden veya çim biçme makinesi üzerinde çalışmadan önce;
 - yabancı bir cisme çarptığınızda. Aşağıdaki durumlarda çim biçme makinesinde hasar olup olmadığını kontrol edin ve makineyi yeniden başlatmadan ve çalıştırmadan önce gerekli onarımları yaptırın,
 - çim biçme makinesi olağan dışı bir şekilde titremeye başladığında.
3. Çim biçme makinesini hasarlı koruma veya siperle ya da defektör ve/veya çim sepeti gibi güvenlik aygıtları yerine takılı olmadan kullanmayın.
4. Çim biçme makinesini kötü hava koşullarında, özellikle yıldırım riski varken kullanmaktan sakının.

5. Çim biçme makinesini kullanırken daima koruyucu gözlük takın ve dayanıklı ayakkabılar giyin.
6. Çim biçme makinesini sadece gün ışığında ya da iyi aydınlatma sağlayan yapay ışıkta kullanın.
7. Çim biçme makinesini talimatlara uygun olarak çalıştırın ve ayaklarınızı bıçaklardan uzak tutun.
8. Çim biçme makinesi bıçaklarının ayaklarınızı ve ellerinizi yaralamasına karşı dikkatli olun.
9. Havalandırma deliklerinin toz birikintilerine karşı temiz tutulduğundan daima emin olun.
10. Eğimli bölgelerde çimleri enlemesine biçin, asla yukarı veya aşağı doğru biçmeyin. Eğimli bölgelerde yön değiştirirken çok dikkat edin. Dik eğimli bölgelerdeki çimleri aşırı derecede biçmeyin.
11. Geri geri giderken ya da çim biçme makinesini kendinize doğru çekerken çok dikkatli olun.
12. Çim dışındaki yüzeylerden geçerken çim biçme makinesinin eğilmesi gerekiyorsa ve makineyi kullanılacak alana ya da kullanılan alandan dışarı taşıırken bıçağı/bıçakları durdurun.
13. Başlatma için çim biçme makinesinin eğilmesi gereken durumlar haricinde, motoru çalıştırırken makineyi eğmeyin. Eğmenin gerekli olduğu durumlarda gereken miktardan fazla eğmeyin ve sadece kullanıcıdan uzakta olan kısmı kaldırın. Çim biçme makinesini yere koymadan önce her iki elinizin çalışma konumunda olduğundan mutlaka emin olun.
14. Ellerinizi veya ayaklarınızı dönen parçaların yakınına ya da altına koymayın. Boşaltma ağzından daima uzak durun.
15. Çim biçme makinesi çalışırken bir yerden bir yere nakletmeyin.
16. Çim biçme makinesini ıslak çimlerde kullanmaktan kaçının.
17. Çim biçme makinesini yağmurlu havalarda asla kullanmayın.
18. Tutamağı daima sıkıca tutun.
19. Çim biçme makinesini kaldırırken veya tutarken açıkta kalan keskin bıçakları ya da keskin kenarları tutmayın.
20. Ellerinizi ve ayaklarınızı dönen bıçaklardan uzak tutun. Dikkat - Çim biçme makinesi kapatıldıktan sonra bıçaklar bir müddet dönmeye devam eder.
21. Anormal bir durum fark ederseniz kullanımı derhal durdurun. Çim biçme makinesini kapatın ve kilit anahtarını çıkarın. Ardından çim biçme makinesini kontrol edin.
22. Çim biçme makinesinin yükseklik ayarlaması özelliği varsa çim biçme makinesi çalışırken asla kesim yüksekliği ayarı yapmaya çalışmayın.
23. Taşıt yollarından, kaldırımlardan, geçitlerden ve çakıl kaplı alanlardan geçmeden önce anahtar kolunu serbest bırakın ve bıçak dönüşünün durmasını bekleyin. Çim biçme makinesini bıraktığınızda, yolunuza çıkan bir şeyi almak ya da kaldırmak için durduğunuzda ya da dikkatinizi kaçırarak herhangi bir olay olduğunda da kilit anahtarını çıkarın.

24. **Çim biçme makinesi yabancı bir cisme çarparsa şu adımları izleyin:**
 - Çim biçme makinesini durdurun, anahtar kolunu serbest bırakın ve bıçak tamamen durana kadar bekleyin.
 - Kilit anahtarını ve batarya kartuşunu çıkarın.
 - Çim biçme makinesinde hasar olup olmadığını dikkatlice kontrol edin.
 - Herhangi bir şekilde zarar görmüşse bıçağı değiştirin. Yeniden başlatmadan ve çim biçme makinesini kullanmaya devam etmeden önce herhangi bir hasar varsa onarın.
25. **Boşaltma ağzının önünde dururken çim biçme makinesini başlatmayın.**
26. **Çim biçme makinesi anormal şekilde titremeye başlarsa (hemen kontrol edin)**
 - hasarı tespit edin,
 - hasarlı parçaları değiştirin veya onarın,
 - parçaların gevşek olup olmadığını kontrol edin, gevşek olanları sıkın.
27. **Boşaltılan materyali hiçbir zaman hiç kimseye doğrultmayın. Materyali bir duvar veya engele doğru boşaltmaktan kaçının.** Materyal operatöre doğru geri sekebilir. Çakıllı yüzeylerden geçerken bıçağı durdurun.
28. **Mutlaka gerekmedikçe çim biçme makinesini geri geri çekmeyin.** Çim biçme makinesini bir çit veya başka benzeri engelden geri çekmek zorunda kalırsanız geri geri çim biçme öncesinde ve sırasında aşağıya ve arkaya bakın.
29. **Çim tutucuyu çıkarmadan önce motoru kapatın ve bıçağın tamamen durmasını bekleyin.** Kapatıldıktan sonra bıçakların bir müddet boşta hareket ettiğine dikkat edin.

Bakım ve saklama

1. **Güvenlik için, aşınmış veya hasar görmüş parçaları değiştirin. Sadece orijinal yedek parça ve aksesuar kullanın.**
2. **Çim biçme makinesini düzenli olarak kontrol edin ve bakımını yapın.**
3. **Kullanımda değilken çim biçme makinesini çocukların erişemeyeceği bir yerde saklayın.**
4. **Güvenli bir çalışma için tüm somun, civata ve vidaların sıkı olduğundan emin olun.**
5. **Çim sepetini aşınma ve yıpranmalara karşı sık kontrol edin. Saklarken çim sepetinin boş olduğundan daima emin olun. Güvenlik için, yıpranmış çim sepetini yeni bir orijinal çim sepetiyle değiştirin.**
6. **Sadece bu kılavuzda belirtilen üreticinin orijinal bıçaklarını kullanın.**
7. **Çim biçme makinesini ayarlarken parmaklarınızı hareketli bıçaklar ile çim biçme makinesinin sabit parçaları arasına sıkıştırmamaya dikkat edin.**
8. **Hortumla yıkamayın; motora ve elektrikli bağlantılara su kaçmasını önleyin.**
9. **Uygun şekilde sıkıldığından emin olmak için bıçak montaj civatasını belirli aralıklarla kontrol edin.**
10. **Çim biçme makinesini depolamadan önce soğuduğundan daima emin olun.**
11. **Bıçaklarla ilgili işlem yaparken, güç kaynağı kapalı olsa da bıçakların hareket edebileceğini unutmayın.**

12. **Güvenlik aygıtlarını asla çıkarmayın veya kurcalamayın. Düzgün çalıştıklarını düzenli olarak kontrol edin. Bir güvenlik aygıtının amaçlanan işlevine müdahale edecek veya güvenlik aygıtının sağladığı korumayı azaltacak hiçbir şey yapmayın.**

Bataryalı aletin kullanımı ve bakımı

1. **Sadece üretici tarafından belirtilen şarj aleti ile şarj edin.** Bir batarya kutusu için uygun olan şarj cihazı başka bir batarya kutusu ile kullanıldığında yangın riski oluşturabilir.
2. **Elektrikli aletleri sadece özel olarak belirtilen batarya kutuları ile kullanın.** Başka batarya kutularının kullanımı yaralanma ve yangın riski oluşturabilir.
3. **Batarya kutusu kullanılmadığında; iki terminal arasında bağlantı kurulmasına sebep olabilecek ataç, bozuk para, anahtar, çivi, vida gibi metal nesnelere ya da küçük metal objelere uzak tutun.** Batarya terminallerine kısa devre yaptırmak yanıklara ya da yangına yol açabilir.
4. **Kötü koşullarda bataryadan sıvı sızabilir; bu sıvıya temas etmeyin. Eğer istemeden bir temas olursa suyla yıkayın. Sıvı göze temas ederse, suyla yıkadıktan sonra tıbbi yardım alın.** Bataryadan çıkan sıvı tahrişe ya da yanıklara neden olabilir.
5. **Batarya kutusu ya da alet hasar görmüşse ya da üzerinde değişiklik yapılmışsa batarya kutusunu kullanmayın.** Hasar görmüş ya da üzerinde değişiklik yapılmış batarya kutuları yangın, patlama ya da yaralanma riski ile sonuçlanan beklenmedik davranışlar sergileyebilir.
6. **Batarya kutusunu veya aleti ateşe ya da aşırı sıcaklıklara maruz bırakmayın.** Ateşe ya da 130 °C'nin üzerindeki sıcaklıklara maruz bırakmak patlamaya neden olabilir.
7. **Tüm şarj talimatlarına uyun ve batarya kutusunu ya da aleti yönergelerde belirtilen sıcaklık aralığının dışındaki sıcaklıklarda şarj etmeyin.** Uygun olmayan bir şekilde ya da belirtilen sıcaklık aralığının dışında şarj etmek bataryaya zarar verebilir ve yangın riskini artırabilir.

Elektrik ve batarya güvenliği

1. **Bataryayı/bataryaları ateşe atmayın.** Batarya hücresi patlayabilir. Bertaraf etmeye ilişkin özel talimatlar için yerel yönetmelikleri kontrol edin.
2. **Batarya/bataryaları açmayın ya da batarya(lar) üzerinde değişiklik yapmayın.** Ortaya çıkan elektrolit aşındırıcıdır ve gözlere ya da cilde zarar verebilir. Yutulduğu takdirde zehirli olabilir.
3. **Bataryayı yağmurda veya ıslak yerlerde şarj etmeyin.**
4. **Bataryayı açık alanda şarj etmeyin.**
5. **Şarj aleti fişi ve şarj aleti terminalleri dahil şarj aletine ıslak ellerle dokunmayın.**

Servis

1. **Elektrikli aletinize nitelikli bir onarım elemanı tarafından orijinal parçaları kullanılarak servis verilmesini sağlayın.** Bu, elektrikli aletin güvenli kalmasını temin eder.

2. **Hasarlı batarya kutularını asla tamir etmeye çalışmayın.** Batarya kutularının tamiri sadece üretici veya yetkili servis sağlayıcıları tarafından yapılmalıdır.

BU TALİMATLARI SAKLAYIN.

⚠UYARI: Ürünü kullanırken (defalarca kullanınca kazanılan) rahatlık ve tanıdıklık duygusunun ilgili ürünün güvenlik kurallarına sıkı sıkıya bağlı kalmanın yerine geçmesine İZİN VERMEYİN.

YANLIŞ KULLANIM veya bu kullanma kılavuzunda belirtilen emniyet kurallarına uymama ciddi yaralanmaya neden olabilir.

Batarya kartuşu hakkında önemli güvenlik talimatları

1. Batarya kartuşunu kullanmadan önce, tüm talimatları ve (1) batarya kartuşu, (2) batarya ve (3) ürün üzerindeki tüm uyarı işaretlerini okuyun.
2. Batarya kartuşunu parçalarına ayırmayın veya kurcalamayın. Yangın, aşırı ısı veya patlamaya neden olabilir.
3. Çalışma süresi aşırı derecede kısalmışsa kullanmayı derhal bırakın. Aşırı ısınma, yanma riski hatta patlamaya neden olabilir.
4. Gözünüze elektrolit kaçarsa, gözlerinizi temiz suyla durulayın ve hemen tıbbi yardım alın. Görme kaybına yol açabilir.
5. Batarya kartuşuna kısa devre yaptırmayın:
 - (1) Terminallere herhangi bir iletken madde deşdirmeyin.
 - (2) Batarya kartuşunu çiviler, madeni paralar, vb. gibi başka metal nesnelere aynı kaba koymaktan kaçının.
 - (3) Batarya kartuşunu yağmura ya da suya maruz bırakmayın.Kısa devre, büyük bir akım akışına, aşırı ısınmaya, olası yanıklara hatta bataryanın bozulmasına yol açabilir.
6. Aleti ve batarya kartuşunu sıcaklığın 50°C ya da daha yüksekçe ulaştığı yerlerde saklamayın ve kullanmayın.
7. Aşırı derecede hasar görmüş ya da tamamen kullanılamaz durumda olsa bile batarya kartuşunu yakmayın. Batarya kartuşu ateşe atılırsa patlayabilir.
8. Batarya kartuşunu çivilemeyin, kesmeyin, ezmeyin, fırlatmayın, düşürmeyin ya da batarya kartuşuna sert bir nesne ile vurmeyin. Bu eylemler yangın, aşırı ısı veya patlamaya neden olabilir.
9. Hasarlı bataryayı kullanmayın.
10. Aletin içerdiği lityum-iyon bataryalar Tehlikeli Eşyalar Yönetmeliğinin gereksinimlerine tabidir. Ticari nakliye işlemleri için, örneğin üçüncü taraflar, nakliye acenteleri tarafından yapılan nakliyelerde, paketleme ve etiketleme gereksinimlerine uyulmalıdır. Nakliyesi yapılacak ürünün hazırlanması için, tehlikeli maddeler konusunda uzman bir kişiye danışın. Lütfen muhtemelen daha ayrıntılı olan ulusal yönetmeliklere de uyun.

Açık kontakları bantlayın ya da maskeleyin ve bataryayı paketin içinde hareket etmeyecek şekilde paketleyin.

11. **Batarya kartuşunu bertaraf ederken aletten çıkarın ve güvenli bir yerde bertaraf edin.** Bataryanın bertaraf edilmesi ile ilgili yerel düzenlemelere uyunuz.
12. **Bataryaları sadece Makita tarafından belirtilen ürünlerle kullanın.** Bataryaların uyumsuz ürünlere takılması; yangın, aşırı ısınma, patlama ya da elektrolit sızıntısına neden olabilir.
13. **Alet uzun süre kullanılmıyacaksa batarya aletten çıkarılmalıdır.**
14. **Kullanma sırasında ve sonrasında batarya kartuşu ısınarak yanıklara veya düşük sıcaklık yanıklarına yol açabilir.** Sıcak batarya kartuşları ile işlem yaparken dikkat edin.
15. **Yanıklara neden olabilecek kadar sıcak olabileceğinden kullandıktan hemen sonra aletin terminaline dokunmayın.**
16. **Batarya kartuşunun terminallerine, deliklerine ve kanallarına micir, toz veya toprak girmesine izin vermeyin.** Aletin veya batarya kartuşunun zayıf performans göstermesine veya bozulmasına neden olabilir.
17. **Alet yüksek gerilim elektrik güç hatlarında kullanımı desteklemediği sürece batarya kartuşunu yüksek gerilim elektrik güç hatlarının yakınında kullanmayın.** Aletin veya batarya kartuşunun arızalanmasına veya bozulmasına neden olabilir.
18. **Bataryayı çocuklardan uzak tutun.**

BU TALİMATLARI MUHAFAZA EDİNİZ.

⚠DİKKAT: Sadece orijinal Makita bataryalarını kullanın. Orijinal olmayan Makita bataryaları ya da üzerine değışiklik yapılmış bataryaların kullanımı bataryanın patlamasına ve sonuç olarak yangın, kişisel yaralanma ve hasara neden olabilir. Ayrıca Makita aleti ve şarj aletinin Makita tarafından sunulan garantisini de geçersiz olur.

Maksimum batarya ömrü için ipuçları

1. **Batarya kartuşunu tamamen boşalmadan önce şarj edin.** Aletin gücünün zayıflamaya başladığını fark ettiğinizde aleti durdurun ve batarya kartuşunu şarj edin.
2. **Tam dolu bir batarya kartuşunu asla yeniden şarj etmeyin.** Aşırı şarj etme bataryanın hizmet ömrünü kısaltır.
3. **Batarya kartuşunu 10°C - 40°C oda sıcaklığında şarj edin.** Sıcak bir batarya kartuşunu şarj etmeden önce soğumasını bekleyin.
4. **Batarya kartuşunu kullanmıyorken aletten veya şarj aletinden çıkarın.**
5. **Uzun bir süre (altı aydan daha fazla) kullanmadığınız durumlarda batarya kartuşunu şarj edin.**

MONTAJ

⚠UYARI: Çim biçme makinesi üzerinde herhangi bir işlem yapmadan önce kilit anahtarını ve batarya kartuşunu çıkardığınızdan emin olun. Kilit anahtarının ve batarya kartuşunun çıkarılmaması istemsiz olarak aletin başlatılması sonucu ciddi kişisel yaralanmalara neden olabilir.

⚠UYARI: Tamamen montajlanmadan önce çim biçme makinesini asla çalıştırmayın. Kısmen birleştirilmiş haldeyken makine ile çalışmak, makinenin istemsiz olarak başlatılması sonucu ciddi yaralanmalara neden olabilir.

Batarya kapağının takılması

⚠UYARI: Kilit anahtarını ve batarya kartuşunu batarya kapağını takmadan önce yerleştirmeyin. Bu kurala uymamak ciddi bir yaralanmaya sebep olabilir.

Kullanmadan önce batarya kapağını tam olarak takın. Batarya kapağı, çim biçme makinesini ve batarya kartuşunu çamur, kir ve sudan korur.

1. Batarya kapağını, çim biçme makinesi üzerindeki çıkıntılar batarya kapağı üzerindeki deliklerle hizalanacak şekilde yerleştirin.

► **Şek.1:** 1. Çıkıntı 2. Delik 3. Batarya kapağı

2. Ellerinizi batarya kapağının ortasına koyun ve kapağa bastırın.

► **Şek.2**

3. İlk kullanımdan önce batarya kapağının dayanak noktasının düzgün şekilde monte edilip edilmediğini kontrol edin. Batarya kapağı doğru takılırsa, batarya kapağı kilitleme koluna basılana kadar açılmaz.

► **Şek.3:** 1. Dayanak noktası 2. Batarya kapağı kilitleme kolu

Tutamağın takılması

ÖNEMLİ NOT: Tutamakları monte ederken, kabloları tutamaklar arasında herhangi bir şey takılmayacakları şekilde konumlandırın. Kablo hasar görürse, çim biçme makinesinin anahtarı çalışmayabilir.

1. Alt tutamağın iki ucunu çim biçme makinesinin oyuklarının içine doğru kaydırın ve ardından sıkıştırma vidalarını tam olarak sıkılayın.

► **Şek.4:** 1. Sıkıştırma vidası 2. Alt tutamak

2. Üst tutamakla alt tutamağın vida deliklerini hizalayın. Tutamakları sıkıştırma vidaları ve somunlarla sabitleyin.

► **Şek.5:** 1. Sıkıştırma somunu 2. Sıkıştırma vidası

NOT: Üst tutamağı elinizden düşmeyecek şekilde sıkıca tutun.

3. Tutucuları tutamağa takın. Güç kaynağı kablosunu şekildedeki gibi konumlandırın.

► **Şek.6:** 1. Tutucu

Malçlama tapasının çıkarılması

İsteğe bağlı aksesuarlar

1. Arka kapağı açın.

► **Şek.7:** 1. Arka kapak

2. Şekilde gösterildiği gibi malçlama tapasını tutamaktan tutun ve ardından çim biçme makinesi gövdesinden çekerek çıkarın.

► **Şek.8:** 1. Malçlama tapası 2. Tutamak

Çim sepetinin takılması

1. Arka kapağı açın.

► **Şek.9:** 1. Arka kapak

2. Çim sepetini şekilde gösterildiği gibi çim biçme makinesi gövdesinin rotuna asın.

► **Şek.10:** 1. Kanca 2. Rot 3. Çim sepeti

Malçlama tapasının takılması

İsteğe bağlı aksesuarlar

1. Arka kapağı açın, ve ardından çim sepetini çıkarın.

► **Şek.11:** 1. Arka kapak 2. Çim sepeti

2. Şekilde gösterildiği gibi malçlama tapasını tutamaktan tutun ve ardından çim biçme makinesi gövdesine takın.

► **Şek.12:** 1. Malçlama tapası 2. Tutamak

İŞLEVSEL NİTELİKLER

Batarya kartuşunun takılması ve çıkarılması

⚠DİKKAT: Batarya kartuşunu takıp çıkarmadan önce makineyi mutlaka kapatın.

⚠DİKKAT: Kullanmadan önce batarya kapağını kilitlediğinizden emin olunuz. Aksi takdirde; çamur, kir veya su ürüne ya da batarya kartuşuna zarar verebilir.

⚠DİKKAT: Batarya kartuşunu her zaman kırmızı gösterge görünmeyecek şekilde tam olarak yerine oturtun. Aksi takdirde, makineden kayıp düşebilir ve operatörün veya çevredeki kişilerin yaralanmasına neden olabilir.

⚠DİKKAT: Batarya kartuşunu zorlayarak takmaya çalışmayın. Kartuş kolayca kaymıyorsa doğru yerleştirilmemiş demektir.

NOT: Makine sadece bir batarya kartuşu ile çalışmaz.

Batarya kartuşunu takmak için;

1. Batarya kapağı kilitleme kolunu kaydırın ve batarya kapağını açın.

► **Şek.13:** 1. Batarya kapağı 2. Batarya kapağı kilitleme kolu

2. Batarya kartuşunun üzerindeki dili çim biçme makinesinin üzerindeki yuvala hizalayın ve ardından kartuşu hafif bir tık sesi duyulup yerine kilitlenene kadar kaydırın.

► **Şek.14:** 1. Batarya kartuşu

3. Kilit anahtarını şekilde gösterilen yere sonuna kadar girecek şekilde takın.

► **Şek.15:** 1. Kilit anahtarı

4. Batarya kapağını kapatın ve kilitleme kolu ile iterek kilitlemeye kadar itin.

Batarya kartuşunu çim biçme makinesinden çıkartmak için;

1. Batarya kapağı kilitleme kolunu kaydırın ve batarya kapağını açın.

2. Kartuşun ön tarafındaki düğmeyi kaydırarak batarya kartuşunu çim biçme makinesinden çekip çıkarın.

3. Kilit anahtarını çekip çıkarın.

4. Batarya kapağını kapatın.

Makine / batarya koruma sistemi

Makine bir makine/batarya koruma sistemi ile donatılmıştır. Bu sistem motora giden gücü otomatik olarak keserek uzun alet ve batarya ömrü sağlar. Makine veya batarya için aşağıdaki durumlardan biri söz konusu olduğunda makinenin işleyişi otomatik olarak durur.

Aşırı yük koruması

Makine, anormal derecede yüksek akım çekmesine neden olacak şekilde çalıştırıldığında makine hiçbir göstergeden otomatik olarak durur. Bu durumda makineyi kapatın ve makinenin aşırı yüklenmesine neden olan uygulamayı kesin. Ardından makineyi açarak yeniden çalıştırın.

Aşırı ısınma koruması

Makine aşırı ısındığında makine otomatik olarak durur. Makineyi yeniden açmadan önce soğumasını bekleyin.

Aşırı deşarj koruması

Batarya kapasitesi düştüğünde makine otomatik olarak durur. Anahtarlar kullanılsa bile ürün çalışmıyorsa, bataryaları makineden çıkarıp şarj edin.

Kalan batarya kapasitesinin gösterilmesi

► **Şek.16:** 1. Batarya göstergesi

Kalan batarya kapasitesi düşük olduğunda, söz konusu batarya tarafındaki batarya göstergesi yanıp söner. Kullanılmaya devam edildiğinde, makine durur ve batarya göstergesi yaklaşık 10 saniye kadar yanar. Bu durumda, batarya kartuşunu şarj edin.

Kalan batarya kapasitesinin gösterilmesi

Sadece göstergeli batarya kartuşları için

► **Şek.17:** 1. Göstergel lambaları 2. Kontrol düğmesi

Kalan batarya kapasitesini göstermesi için batarya kartuşu üzerindeki kontrol düğmesine basın. Göstergel lambaları birkaç saniye yanar.

Göstergel lambaları			Kalan kapasite
Yanıyor	Kapalı	Yanıp sönüyor	
■ ■ ■ ■			%75 ila %100
■ ■ ■ □			%50 ila %75
■ ■ □ □			%25 ila %50
■ □ □ □			%0 ila %25
■ □ □ □			Bataryayı şarj edin.
■ □ □ □			Batarya arızalanmış olabilir.
■ □ □ □	↑ ↓	■ ■ ■ ■	

NOT: Kullanım koşullarına ve ortam sıcaklığına bağlı olarak, gösterilen değer gerçek kapasiteden biraz farklılık gösterebilir.

Anahtar işlemleri

⚠UYARI: Batarya kartuşunu takmadan önce, anahtar kolunun düzgün çalıştığından ve bırakıldığında orijinal pozisyona döndüğünden emin olun. Anahtar düzgün çalışmayan bir makinenin kullanılması kontrolün kaybedilmesine ve ciddi yaralanmalara neden olabilir.

NOT: Çim biçme makinesi, anahtar kolu çekilse de anahtar düğmesine basmadan çalışmaz.

NOT: Çok uzun ya da sık çimleri tek seferde biçmeye kalkışırsanız çim biçme makinesi aşırı yüklenmeden dolayı çalışmayabilir. Bu durumda, biçme yüksekliğini artırın.

Bu çim biçme makinesi, kilit devresi ve kollar şalter ile donatılmıştır. Bu devrelerden herhangi birinde bir hata fark ederseniz, derhal kullanımı durdurun ve size en yakın Makita Yetkili Servis Merkezine kontrol ettirin.

1. Batarya kartuşlarını takın. Kilit anahtarını kilit devresine takın ve ardından batarya kapağını kapatın.

► **Şek.18:** 1. Batarya kartuşu 2. Kilit anahtarı

2. Anahtar düğmesine basın ve basılı tutun.

3. Üst tutamaktan tutun ve anahtar kolunu çekin.

► **Şek.19:** 1. Anahtar düğmesi 2. Anahtar kolu

4. Motor çalışmaya başlar başlamaz anahtar düğmesini serbest bırakın. Siz anahtar kolunu serbest bırakana kadar çim biçme makinesi çalışmaya devam edecektir.

5. Motoru durdurmak için anahtar kolunu serbest bırakın.

Biçme yüksekliğinin ayarlanması

⚠UYARI: Biçme yüksekliğini ayarlarken ellerinizi ve ayaklarınızı asla çim biçme makinesinin gövdesinin altına koymayın.

⚠UYARI: Kullanmadan önce kolun oluğa tam olarak oturduğundan daima emin olun.

Biçme yüksekliği 20 mm ile 75 mm arasında ayarlanabilir.

1. Kilit anahtarını çıkarın.
 2. Biçme yüksekliği ayarlama kolunu çim biçme makinesinin gövdesinin dışına doğru çekin ve istediğiniz biçme yüksekliğine getirin.
- **Şek.20:** 1. Biçme yüksekliği ayarlama kolu

NOT: Biçme yüksekliği rakamları bir kılavuz olarak kullanılmalıdır. Çimin ya da zeminin durumuna bağlı olarak, gerçek çim yüksekliği ayarlanan yükseklikten çok az farklılık gösterebilir.

NOT: İsteddiğiniz yüksekliği elde etmek için az görünen bir yerdeki çimleri biçerek deneyin.

Çim seviyesi göstergesi

- **Şek.21:** 1. Çim seviyesi göstergesi

Çim seviyesi göstergesi biçilen çimin miktarını gösterir.

- Çim sepeti dolu olmadığında, biçme işlemi sırasında gösterge kayar.
- Çim sepeti dolu olduğunda, biçme sırasında gösterge kaymaz. Bu durumda, biçme işlemi hemen durdurun ve sepeti boşaltın. Sepeti boşalttıktan sonra temizleyerek delikli kısımdan hava geçmesini sağlayın.

NOT: Bu gösterge yaklaşık bir fikir verecek şekilde kullanılmalıdır. Sepetin içindekilerin durumuna bağlı olarak gösterge düzgün çalışmayabilir.

Malçlama tapasının kullanılması

İsteğe bağlı aksesuarlar

Malçlama tapası, kesilen çimi çim sepetinde toplama dan toprağa bırakmanızı sağlar. Makineyi malçlama tapası ile kullanırken çim sepetini mutlaka çıkarın.

ÖNEMLİ NOT: Makineyi malçlama tapası ile kullanırken biçmeden sonra çimin toplam uzunluğunun 30 mm veya daha fazla ve biçme uzunluğunun 15 mm veya daha az olduğundan emin olun.

- **Şek.22:** (1) 30 mm veya daha fazla (2) 15 mm veya daha az

KULLANIM

Çim biçme

⚠UYARI: Çim biçmeye başlamadan önce biçme alanındaki kalın dalları ve taşları kaldırın. Ayrıca yabancı otları da biçme alanından önceden temizleyin.

⚠UYARI: Çim biçme makinesini kullanırken daima yanları korumalı güvenlik gözlükleri takın.

⚠DİKKAT: Kesilen çim veya yabancı madde çim biçme makinesi gövdesinin içinde sıkırsa çim veya yabancı maddeleri çıkarmadan önce mutlaka kilit anahtarını ve batarya kartuşunu çıkarın ve eldiven giyin.

ÖNEMLİ NOT: Bu makineyi sadece çim biçmek için kullanın. Bu makine ile ot biçmeyin.

- **Şek.23**

Biçme sırasında, tutamakları her iki elinizle sıkıca tutun.

Çim biçme hızı prensip olarak yaklaşık 4 saniyede 1 metredir.

- **Şek.24**

Ön tekerleklerin dış kenarları biçme genişliği için referanstır. Ön tekerleklerin dış kenarlarını referans olarak kullanarak şeritler halinde biçin. Çimi eşit biçmek için önceki şeridin genişliğinin ikide bir ile üçte bir oranında bir kısmının üstünden tekrar geçecek şekilde biçin.

- **Şek.25:** 1. Biçme genişliği 2. Örtüşen kısım 3. Dış kenar

Çim deseninin tek yönde oluşmasını engellemek için biçme yönünü her seferinde değiştirin.

- **Şek.26**

Çim sepetindeki biçilen çimi periyodik olarak kontrol edin. Dolmadan önce çim sepetini boşaltın. Her periyodik kontrolden önce, çim biçme makinesini durdurduğunuzdan ve ardından kilit anahtarını ve batarya kartuşunu çıkardığınızdan emin olun.

ÖNEMLİ NOT: Çim biçme makinesini çim sepeti dolu olarak kullanmak bıçakların düzgün bir şekilde dönmelerini engeller ve motora aşırı yük bindirir, bu da arızaya sebep olabilir.

Uzamış çimlerin biçilmesi

Uzamış çimleri bir seferde biçmeye çalışmayın. Bunun yerine, çimi kademeli olarak biçin. Çim eşit bir biçimde kısılanca kadar biçme işlemleri arasında bir veya iki gün bırakın.

NOT: Uzamış çimlerin bir seferde kısaltılması çimin ölmesine sebep olabilir. Kesilen çimler çim makinesinin gövdesinin içinde tıkanıklığa sebep olabilir.

Çim sepetinin boşaltılması

⚠UYARI: Kaza riskini azaltmak için, çim sepetinde herhangi bir hasar ya da gücünde herhangi bir zayıflama olup olmadığını düzenli olarak kontrol edin. Gerekirse, çim sepetini değiştirin.

1. Anahtar kolunu serbest bırakın.
2. Kilit anahtarını çıkarın.
3. Arka kapağı açın ve çim sepetini tutamağı tutarak çıkarın.

- **Şek.27:** 1. Arka kapak 2. Tutamak

4. Çim sepetini boşaltın.

BAKIM

⚠UYARI: Çim biçme makinesini saklamadan veya taşımadan ya da kontrol veya bakım yapmadan önce kilit anahtarının ve batarya kartuşunun çim biçme makinesinden çıkarıldığından daima emin olun.

⚠UYARI: Çim biçme makinesini kullanımda değilken, daima kilit anahtarını çıkarın. Kilit anahtarını çocukların erişemeyeceği güvenli bir yerde saklayın.

⚠UYARI: Kontrol veya bakım işlemini yapmadan önce eldiven giyin.

⚠UYARI: Kontrol veya bakım yaparken daima yanları korumalı güvenlik gözlükleri takın.

ÖNEMLİ NOT: Benzin, tiner, alkol ve benzeri maddeleri kesinlikle kullanmayın. Renk değişimi, deformasyon veya çatlaklar oluşabilir.

Aleti EMNİYETLİ ve ÇALIŞMAYA HAZIR durumda tutmak için onarımlar, başka her türlü bakım ve ayarlamalar daima Makita yedek parçaları kullanılarak Makita yetkili servis merkezleri veya Fabrikanın Servis Merkezleri tarafından yapılmalıdır.

Bakım

1. Kilit anahtarını çıkarın. Anahtarı çocukların erişiminden uzak güvenli bir yerde saklayın.
2. Çim biçme makinesini sadece ıslak bir bez kullanılarak temizleyin. Temizleme sırasında çim biçme makinesinin üzerine su sıkmayın ve dökmeyin.
3. Çim biçme makinesini yan tarafına yatırın ve çim biçme makinesinin gövdesinin alt tarafında biriken çim parçalarını temizleyin.
4. Tüm somunların, civataların, düğmelerin, vidaların, mandalların vb. sıklığı kontrol edin.
5. Hareketli parçaları, hasar, kırılma ve aşınmalara karşı kontrol edin. Hasarlı ya da eksik parçalar tamir edilmeli ya da değiştirilmelidir.

Saklama

⚠UYARI: Çim biçme makinesini taşırken ve saklarken katlanan tutamaklardan değil aletin ön kavrama kolundan tutun. Katlanan tutamaklardan tutmak ciddi yaralanmalara veya makineye zarar gelmesine neden olabilir.

Çim biçme makinesini saklamadan önce batarya kartuşunu ve kilit anahtarını çıkarın. Çim biçme makinesini serin, kuru ve kilitli bir yerde saklayın. Çim biçme makinesini ve şarj aletini sıcaklığın 40 °C'ye ulaştığı ya da bu dereceyi geçtiği ortamlarda saklamayın.

► **Şek.28:** 1. Ön kavrama kolu 2. Arka kavrama kolu

1. Sıkıştırma vidasını gevşetin, alt tutamağı her iki tarafa doğru genişletin. Tutamağı öne doğru itin. Bu aşamada, alt tutamaktan sıkıca kavrayarak tutamağın çim biçme makinesinin gövdesi üzerinden kayıp makinenin uzak tarafına düşmesini önleyin.

► **Şek.29:** 1. Sıkıştırma vidası 2. Alt tutamak

2. Sıkıştırma somunlarını gevşetin, her iki tarafı genişletirken üst tutamağı geri döndürün.

► **Şek.30:** 1. Sıkıştırma somunu 2. Üst tutamak

3. Çim sepetini tutamak ile çim biçme makinesinin gövdesi arasında saklayın.

► **Şek.31:** 1. Çim sepeti

NOT: Çim biçme makinesini dik konumda yerleştirirken tutamaktan değil, çim biçme makinesinin ön kavrama kolundan tutun.

Çim biçme makinesi bıçağının takılması veya çıkarılması

⚠UYARI: Bıçağı takarken veya çıkarırken kilit anahtarını ve batarya kartuşunu daima çıkarın. Kilit anahtarının ve batarya kartuşunun çıkarılması ciddi yaralanmalara sebep olabilir.

⚠UYARI: Anahtar bırakıldıktan sonra bıçak birkaç saniye dönmeye devam edebilir. Bıçak tamamen durana kadar hiçbir işlem yapmaya başlamayın.

⚠UYARI: Bıçak üzerinde bir işlem yaparken daima eldiven kullanın.

Çim biçme makinesi bıçağının çıkarılması

DLM382 için

1. Çim biçme makinesini biçme yüksekliği ayarlama kolu üst tarafa gelecek şekilde yan yatırın.
2. Bıçak dönüşünü kilitlemek için, çim biçme makinesi gövdesi üzerindeki bir deliğe tornavida ya da benzeri bir alet sokun.
3. Civatayı anahtarla saatin aksi yönünde çevirin.
► **Şek.32:** 1. Çim biçme makinesi bıçağı 2. Tornavida 3. Anahtar
4. Civatayı ve bıçağı sırayla çıkarın.
► **Şek.33:** 1. Bıçak desteği 2. Çim biçme makinesi bıçağı 3. Civata

DLM432 için

1. Çim biçme makinesini biçme yüksekliği ayarlama kolu üst tarafa gelecek şekilde yan yatırın.
2. Bıçak dönüşünü kilitlemek için, çim biçme makinesi gövdesi üzerindeki bir deliğe tornavida ya da benzeri bir alet sokun.
3. Civatayı anahtarla saatin aksi yönünde çevirin.
► **Şek.34:** 1. Çim biçme makinesi bıçağı 2. Tornavida 3. Anahtar
4. Civatayı, dış flanş, çim biçme makinesi bıçağını ve iç flanş sırasıyla çıkarın.
► **Şek.35:** 1. İç flanş 2. Çim biçme makinesi bıçağı 3. Dış flanş 4. Civata

Çim biçme makinesi bıçağının takılması

Çim biçme makinesi bıçağını takmak için, bıçak çıkarma prosedürünü tersten izleyin.

⚠UYARI: Çim biçme makinesi bıçağını dikkatlice takın. Bıçak bir üst/alt yüze sahiptir. Bıçağı, dönüş yönü oku dışarı bakacak şekilde yerleştirin.

⚠UYARI: Bıçağı sabitlemek için civatayı saat yönünde iyice sıkılayın.

⚠UYARI: Çim biçme makinesi bıçağının ve tüm sabitleme parçalarının doğru şekilde takıldığından ve iyice sıkıldığından emin olun.

⚠UYARI: Bıçakları değiştirdiğinizde, daima bu kılavuzda sunulan talimatları izleyin.

SORUN GİDERME

Onarım için servise gitmeden önce kontrolleri yapın. Kılavuzda açıklanmayan bir problemle karşılaşırsanız aleti demonte etmeyin. Bunun yerine, Makita Yetkili Servis Merkezlerine başvurun ve daima orijinal Makita yedek parçaları kullanın.

Anormal durum	Olası nedeni (arıza)	Çözümü
Çim biçme makinesi başlatılmıyor.	İki batarya kartuşu takılı değil.	Şarj edilmiş batarya kartuşlarını takın.
	Batarya sorunu (voltaj yetersiz)	Batarya kartuşunu şarj edin. Şarj etmek işe yararmıyorsa, batarya kartuşunu değiştirin.
	Kilit anahtarı takılı değil.	Kilit anahtarını takın.
Kısa bir süre kullanımdan sonra motor duruyor.	Bataryanın şarj seviyesi düşük.	Batarya kartuşunu şarj edin. Şarj etmek işe yararmıyorsa, batarya kartuşunu değiştirin.
	Kesim yüksekliği çok düşük ayarlanmış.	Kesim yüksekliğini artırın.
Motor maksimum dev/dak oranına ulaşmıyor.	Batarya kartuşu düzgün takılmamış.	Batarya kartuşunu bu kılavuzda açıklandığı gibi takın.
	Batarya gücü düşüyor.	Batarya kartuşunu şarj edin. Şarj etmek işe yararmıyorsa, batarya kartuşunu değiştirin.
	Sürüş sistemi doğru işlemiyor.	Yerel yetkili servis merkezinden yardım isteyin.
Çim biçme makinesi bıçağı dönmüyor: ⇒ Çim biçme makinesini hemen durdurun!	Bıçağın kenarına yabancı bir cisim, örn. bir dal parçası takılmış.	Yabancı cismi çıkarın.
	Sürüş sistemi doğru işlemiyor.	Yerel yetkili servis merkezinden yardım isteyin.
Anormal vibrasyon: ⇒ Çim biçme makinesini hemen durdurun!	Bıçak dengesiz, aşırı derecede ya da bir tarafı daha fazla olacak şekilde aşınmış.	Bıçağı değiştirin.

İSTEĞE BAĞLI AKSESUARLAR

⚠DİKKAT: Bu aksesuarlar ve ek parçalar bu el kitabında belirtilen Makita aletiniz ile kullanılmak için tavsiye edilmektedir. Herhangi başka bir aksesuar ya da ek parça kullanılması insanlar için bir yaralanma riski getirebilir. Aksesuarları ya da ek parçaları yalnızca belirtilmiş olan kullanım amaçlarına uygun olarak kullanın.

Bu aksesuarlarla ilgili daha fazla bilgiye ihtiyaç duyarsanız bulunduğunuz yerdeki yetkili Makita servisine başvurun.

- Çim biçme makinesi bıçağı
- Malçlama tapası
- Orijinal Makita batarya ve şarj aleti

NOT: Listedeki parçaların bazıları alet paketi içerisinde standart aksesuar olarak dahil edilmiş olabilir. Bunlar ülkeden ülkeye farklılık gösterebilir.

Makita Europe N.V. Jan-Baptist Vinkstraat 2,
3070 Kortenberg, Belgium

Makita Corporation 3-11-8, Sumiyoshi-cho,
Anjo, Aichi 446-8502 Japan

www.makita.com

885748A990
EN, FR, DE, IT, NL,
ES, PT, DA, EL, TR
20200323