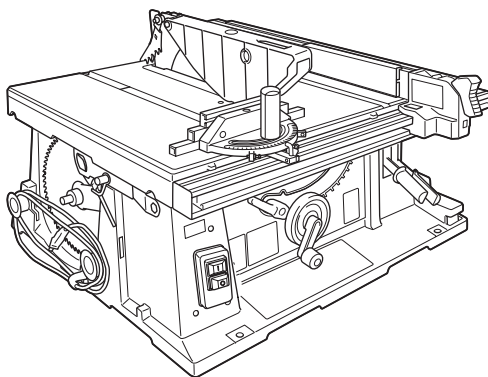
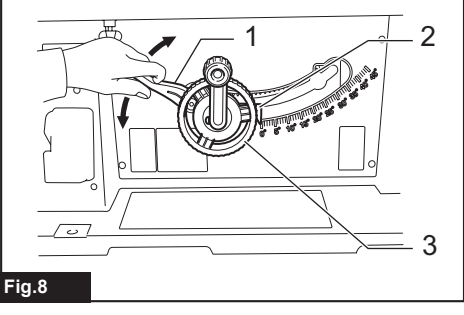
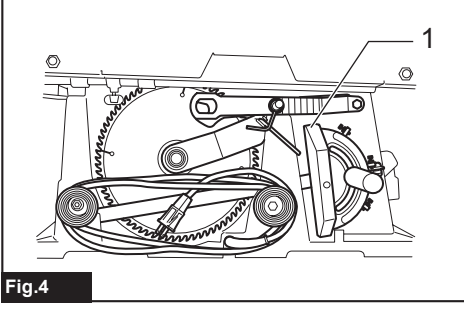
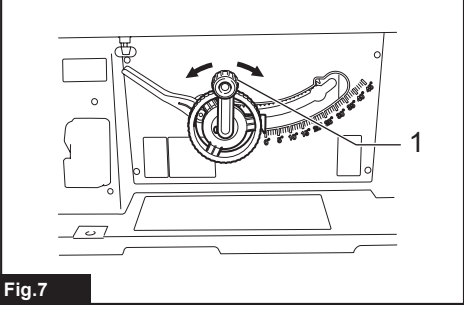
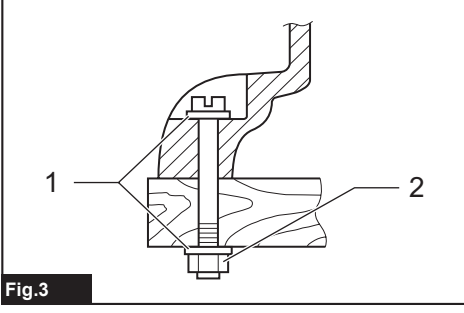
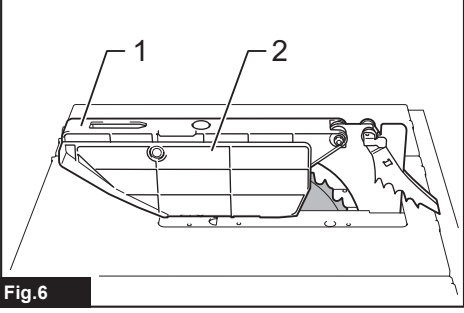
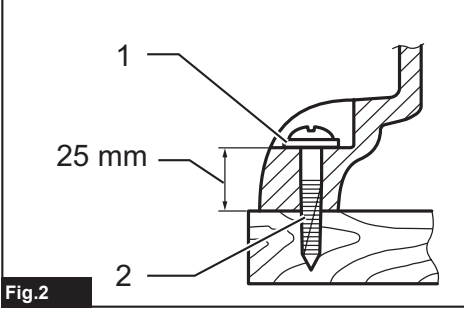
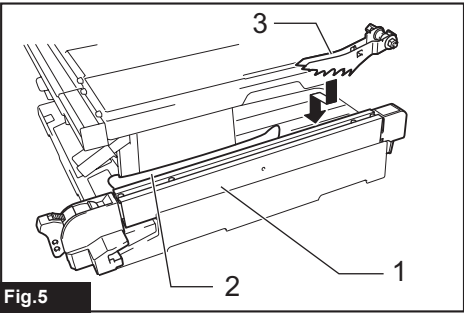
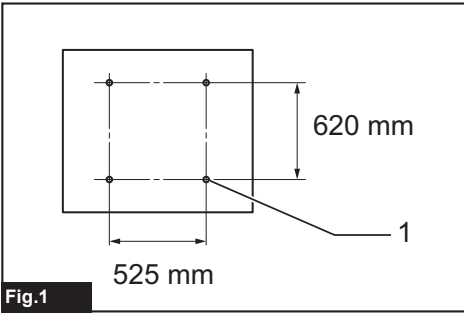


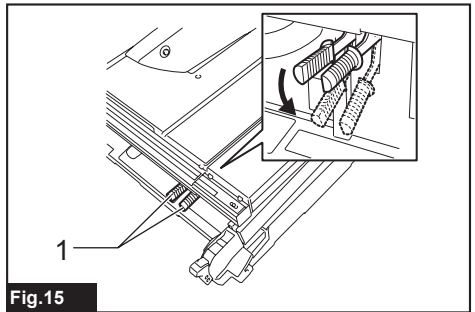
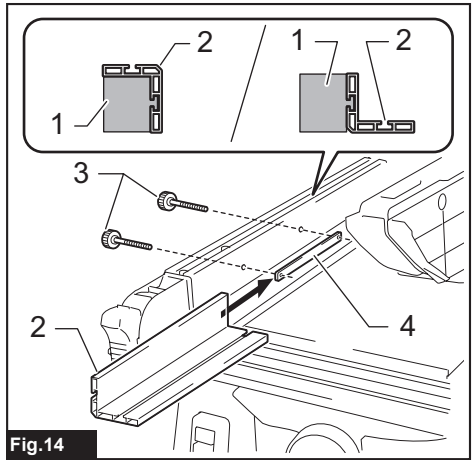
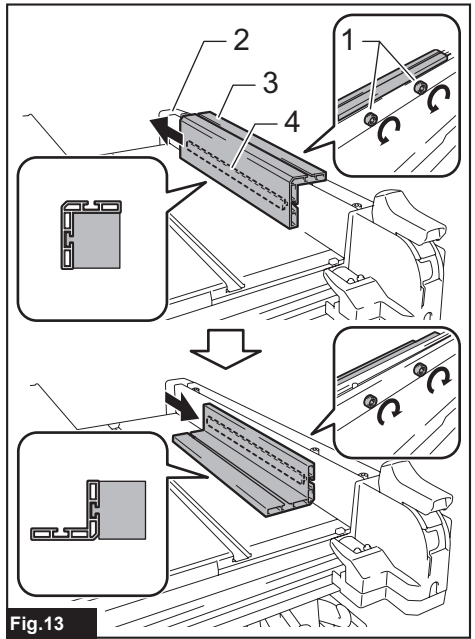
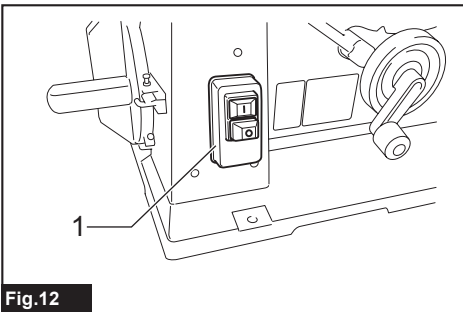
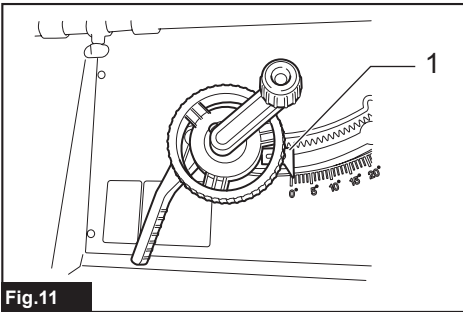
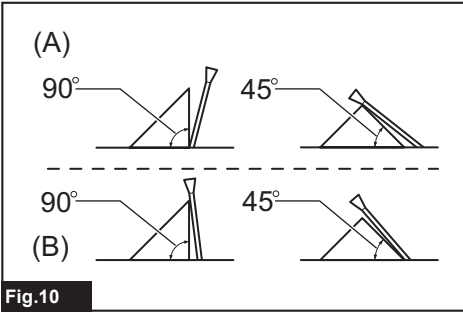
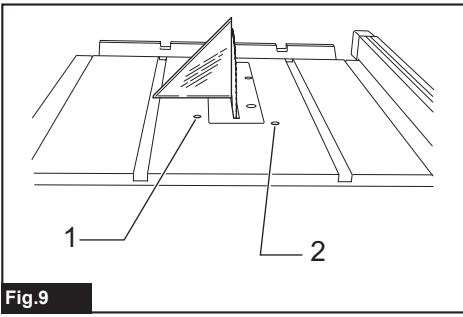


EN	Table Saw	INSTRUCTION MANUAL	9
FR	Scie Sur Table	MANUEL D'INSTRUCTIONS	18
DE	Tischkreissäge	BETRIEBSANLEITUNG	28
IT	Sega da banco	ISTRUZIONI PER L'USO	38
NL	Tafelcirkelzaag	GEBRUIKSAANWIJZING	48
ES	Sierra de Banco	MANUAL DE INSTRUCCIONES	58
PT	Serra Circular de Bancada	MANUAL DE INSTRUÇÕES	68
DA	Bordrundsav	BRUGSANVISNING	78
EL	Επιτραπέζιο πριόνι	ΕΓΧΕΙΡΙΔΙΟ ΟΔΗΓΙΩΝ	87
TR	Tezgah Testere	KULLANMA KILAVUZU	97

2704N







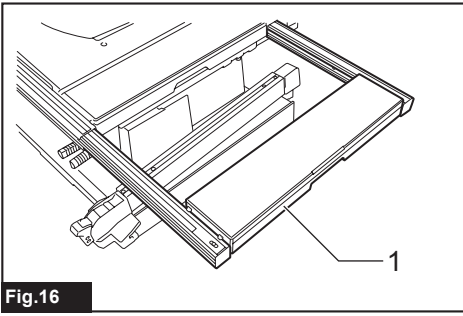


Fig.16

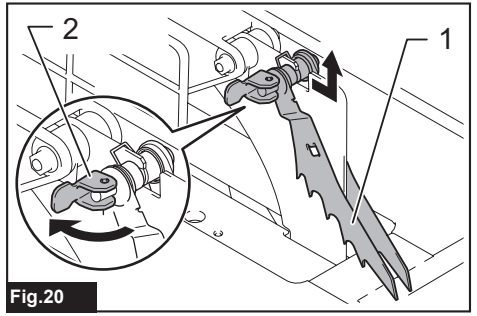


Fig.20

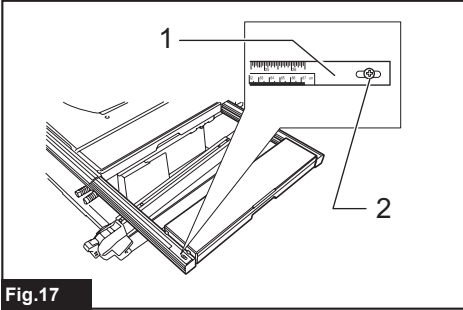


Fig.17

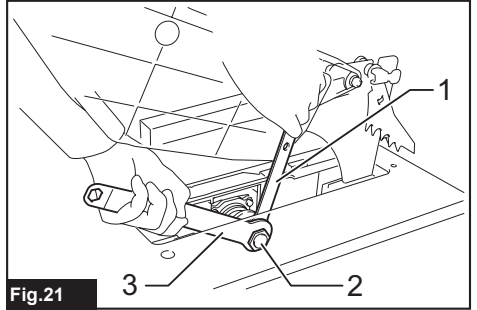


Fig.21

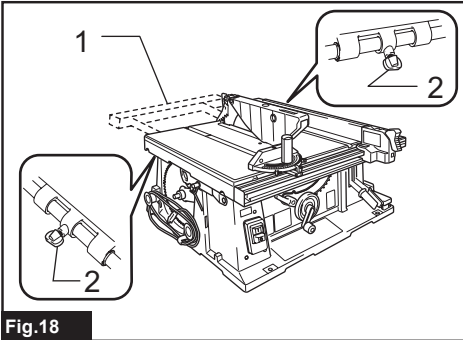


Fig.18

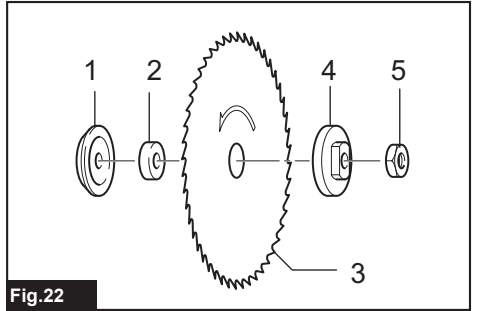


Fig.22

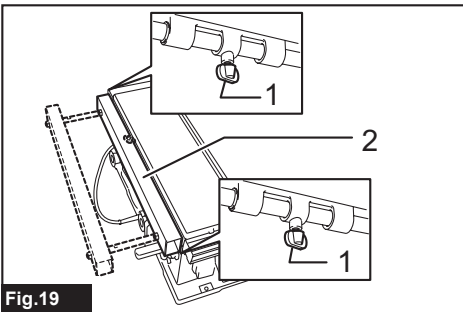


Fig.19

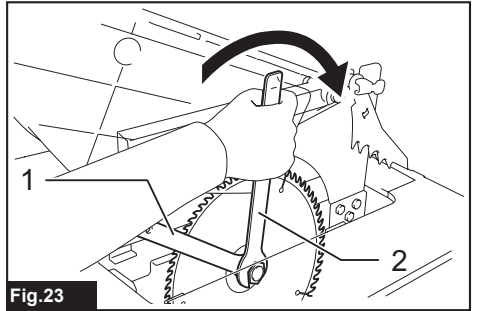


Fig.23

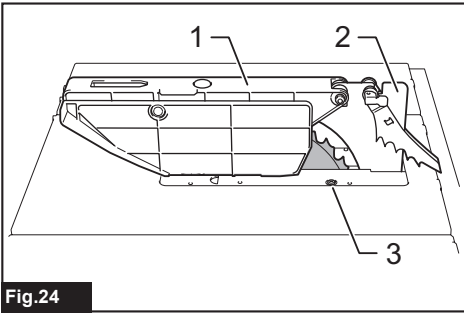


Fig.24

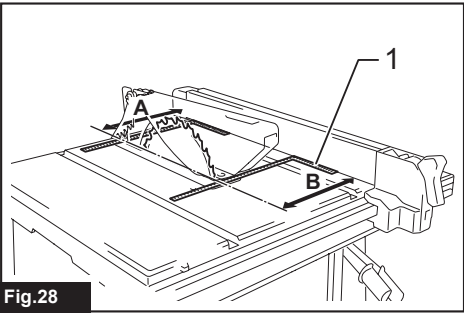


Fig.28

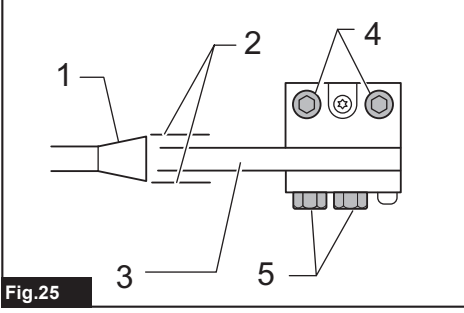


Fig.25

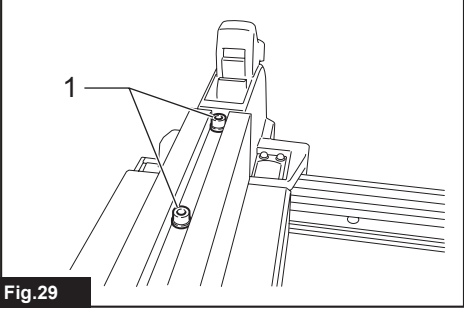


Fig.29

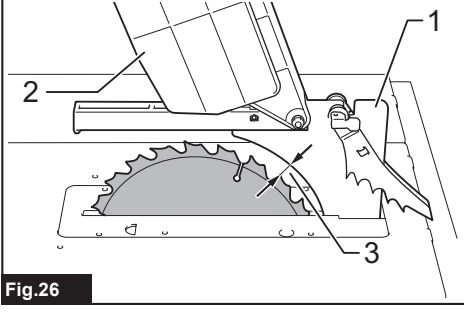


Fig.26

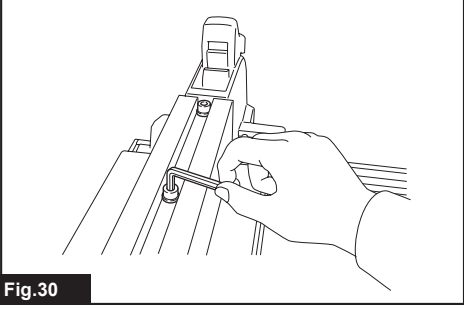


Fig.30

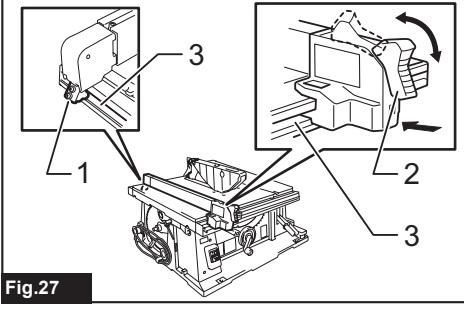


Fig.27

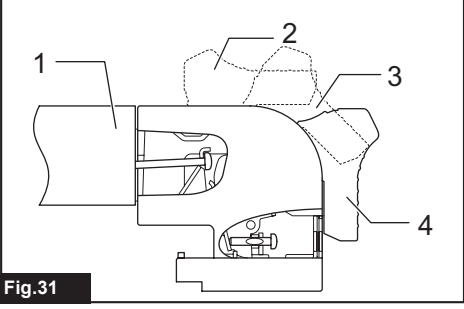


Fig.31

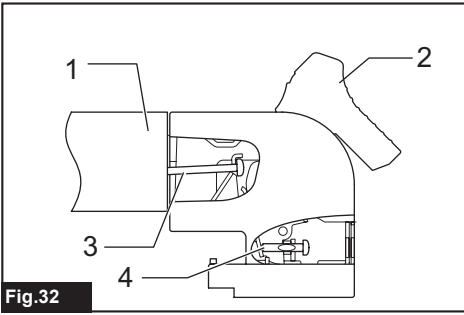


Fig.32

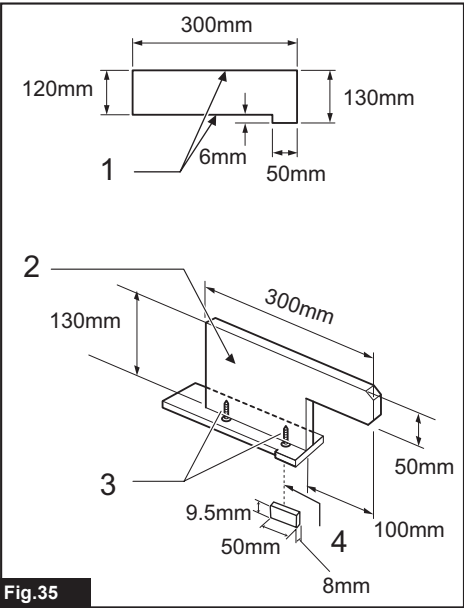


Fig.35

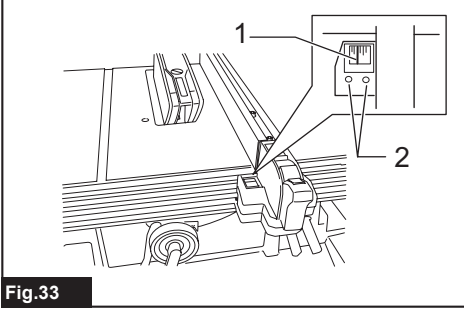


Fig.33

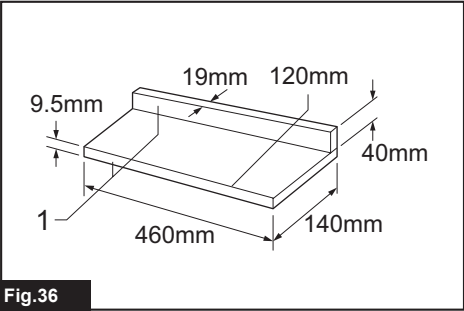


Fig.36

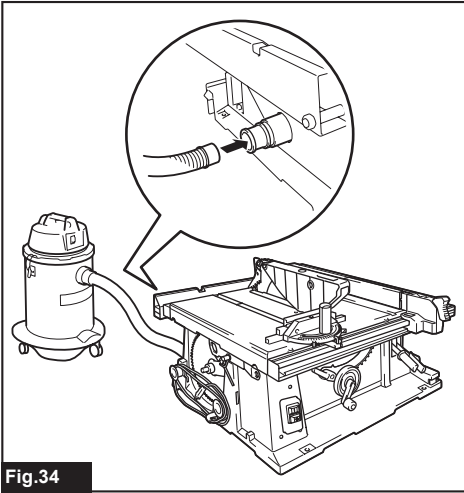


Fig.34

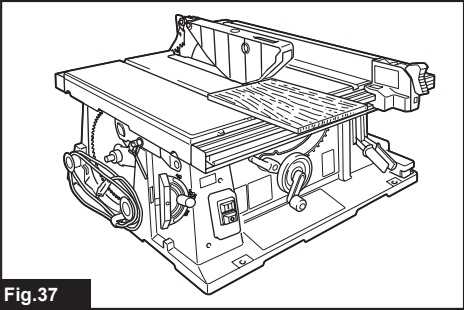


Fig.37

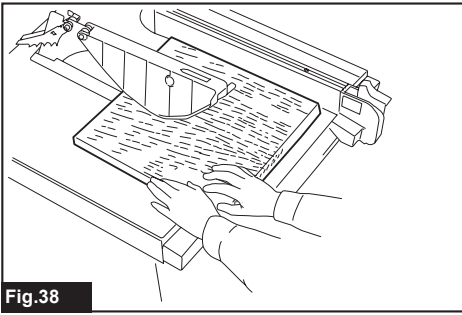


Fig.38

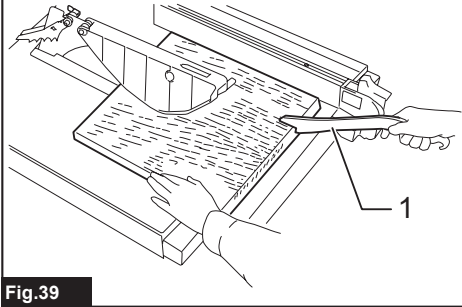


Fig.39

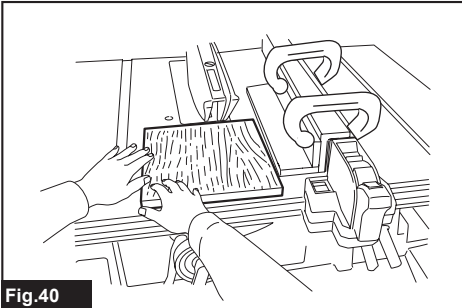


Fig.40

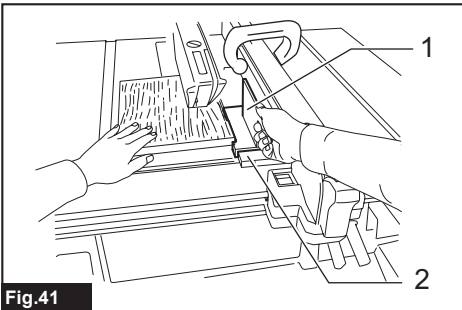


Fig.41

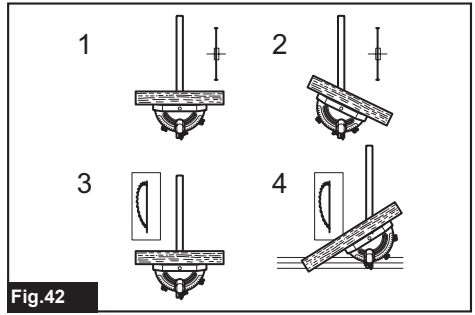


Fig.42

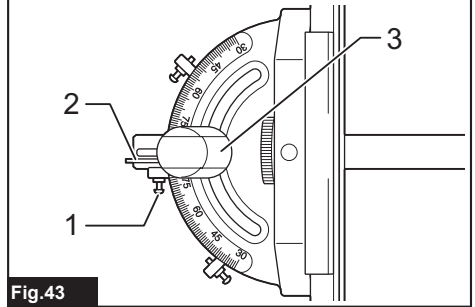


Fig.43

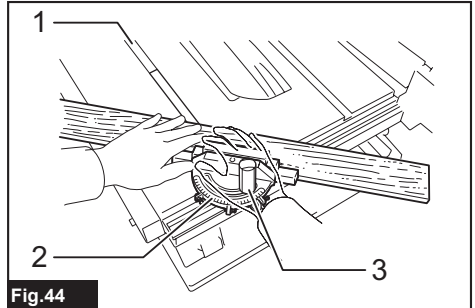


Fig.44

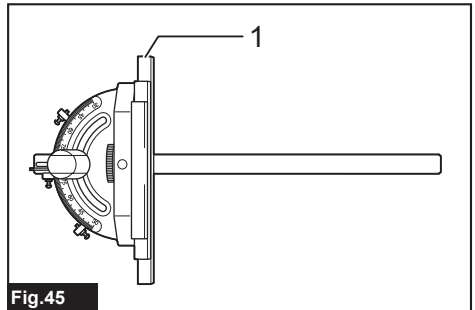
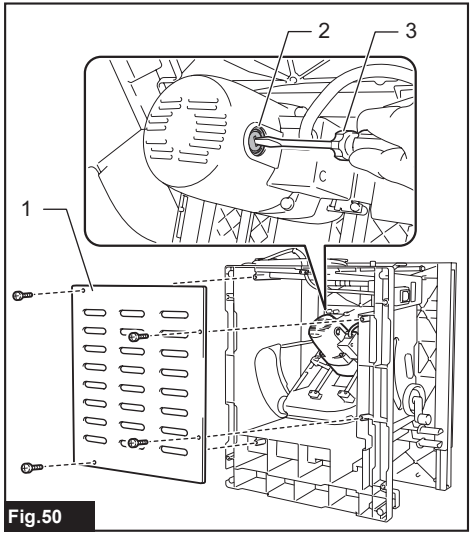
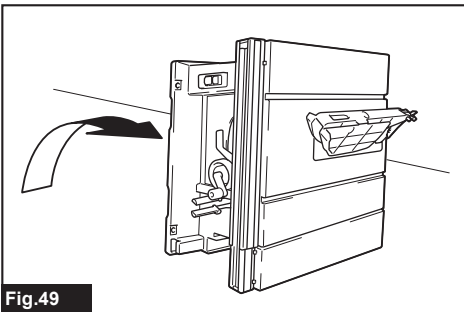
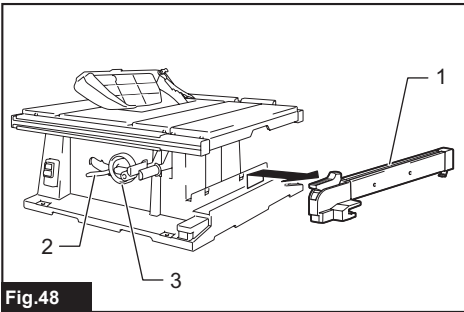
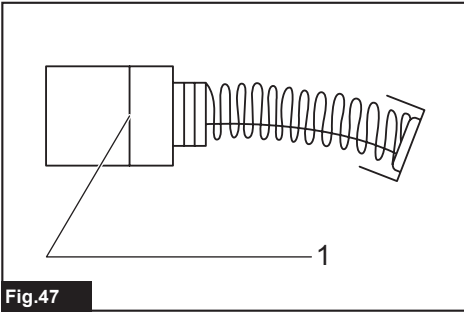
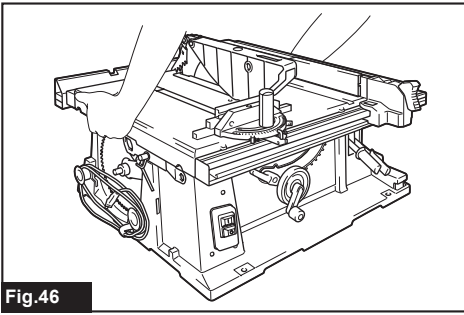


Fig.45






SPECIFICATIONS

Model:		2704N
Arbor hole (Country specific)		30 mm / 25.4 mm
Blade diameter		260 mm
Max. cutting capacities	bevel 0°	93 mm
	bevel 45°	64 mm
No load speed		5,200 min ⁻¹
Table size (L x W)	with sub tables (R) and (back)	1,045 mm x 1,066 mm (tables extended) 665 mm x 753 mm (tables stored)
	with sub table (R) without sub table (back)	567 mm x 1,066 mm (table extended) 567 mm x 753 mm (table stored)
Dimensions (L x W x H) with table(s) not extended	with sub tables (R) and (back)	715 mm x 753 mm x 483mm
	with sub table (R) without sub table (back)	665 mm x 753 mm x 483 mm
Net weight		35.2 kg - 37.0 kg
Safety class		□/II

- Due to our continuing program of research and development, the specifications herein are subject to change without notice.
- Specifications may differ from country to country.
- The weight may differ depending on the attachment(s). The lightest and heaviest combination, according to EPTA-Procedure 01/2014, are shown in the table.

Symbols

The following show the symbols used for the equipment. Be sure that you understand their meaning before use.

	Read instruction manual.
	DOUBLE INSULATION
 	Wear safety glasses.
 	Do not place hand or fingers close to the blade.
	Only for EU countries Do not dispose of electric equipment together with household waste material! In observance of the European Directive, on Waste Electric and Electronic Equipment and its implementation in accordance with national law, electric equipment that have reached the end of their life must be collected separately and returned to an environmentally compatible recycling facility.

Intended use

The tool is intended for cutting in wood. Straight cutting, bevel cutting, and miter cutting are available with this tool. This tool is not designed for non-through cutting.

Power supply

The tool should be connected only to a power supply of the same voltage as indicated on the nameplate, and can only be operated on single-phase AC supply. They are double-insulated and can, therefore, also be used from sockets without earth wire.

Noise

The typical A-weighted noise level determined according to EN62841:
 Sound pressure level (L_{pA}) : 94 dB(A)
 Sound power level (L_{WA}) : 107 dB (A)
 Uncertainty (K) : 3 dB(A)

⚠ WARNING: Wear ear protection.

EC Declaration of Conformity

For European countries only

The EC declaration of conformity is included as Annex A to this instruction manual.

SAFETY WARNINGS

General power tool safety warnings

⚠ WARNING: Read all safety warnings, instructions, illustrations and specifications provided with this power tool. Failure to follow all instructions listed below may result in electric shock, fire and/or serious injury.

Save all warnings and instructions for future reference.

The term "power tool" in the warnings refers to your mains-operated (corded) power tool or battery-operated (cordless) power tool.

Safety instructions for table saws

Guarding related warnings

1. **Keep guards in place. Guards must be in working order and be properly mounted.** A guard that is loose, damaged, or is not functioning correctly must be repaired or replaced.
2. **Make sure the saw blade is not contacting the guard, riving knife or the workpiece before the switch is turned on.** Inadvertent contact of these items with the saw blade could cause a hazardous condition.
3. **Adjust the riving knife as described in this instruction manual.** Incorrect spacing, positioning and alignment can make the riving knife ineffective in reducing the likelihood of kickback.
4. **For the riving knife and anti-kickback pawls to work, they must be engaged in the workpiece.** The riving knife and anti-kickback pawls are ineffective when cutting workpieces that are too short to be engaged with the riving knife and anti-kickback pawls. Under these conditions a kickback cannot be prevented by the riving knife and anti-kickback pawls.
5. **Use the appropriate saw blade for the riving knife.** For the riving knife to function properly, the saw blade diameter must match the appropriate riving knife and the body of the saw blade must be thinner than the thickness of the riving knife and the cutting width of the saw blade must be wider than the thickness of the riving knife.

Cutting procedures warnings

1. **⚠ DANGER: Never place your fingers or hands in the vicinity or in line with the saw blade.** A moment of inattention or a slip could direct your hand towards the saw blade and result in serious personal injury.
2. **Feed the workpiece into the saw blade only against the direction of rotation.** Feeding the workpiece in the same direction that the saw blade is rotating above the table may result in the workpiece, and your hand, being pulled into the saw blade.
3. **Never use the mitre gauge to feed the workpiece when ripping and do not use the rip fence as a length stop when cross cutting with the mitre gauge.** Guiding the workpiece with the rip fence and the mitre gauge at the same time increases the likelihood of saw blade binding and kickback.

4. **When ripping, always apply the workpiece feeding force between the fence and the saw blade.** Use a push stick when the distance between the fence and the saw blade is less than 150 mm, and use a push block when this distance is less than 50 mm. "Work helping" devices will keep your hand at a safe distance from the saw blade.
5. **Use only the push stick provided by the manufacturer or constructed in accordance with the instructions.** This push stick provides sufficient distance of the hand from the saw blade.
6. **Never use a damaged or cut push stick.** A damaged push stick may break causing your hand to slip into the saw blade.
7. **Do not perform any operation "freehand". Always use either the rip fence or the mitre gauge to position and guide the workpiece.** "Freehand" means using your hands to support or guide the workpiece, in lieu of a rip fence or mitre gauge. Freehand sawing leads to misalignment, binding and kickback.
8. **Never reach around or over a rotating saw blade.** Reaching for a workpiece may lead to accidental contact with the moving saw blade.
9. **Provide auxiliary workpiece support to the rear and/or sides of the saw table for long and/or wide workpieces to keep them level.** A long and/or wide workpiece has a tendency to pivot on the table's edge, causing loss of control, saw blade binding and kickback.
10. **Feed workpiece at an even pace. Do not bend or twist the workpiece. If jamming occurs, turn the tool off immediately, unplug the tool then clear the jam.** Jamming the saw blade by the workpiece can cause kickback or stall the motor.
11. **Do not remove pieces of cut-off material while the saw is running.** The material may become trapped between the fence or inside the saw blade guard and the saw blade pulling your fingers into the saw blade. Turn the saw off and wait until the saw blade stops before removing material.
12. **Use an auxiliary fence in contact with the table top when ripping workpieces less than 2 mm thick.** A thin workpiece may wedge under the rip fence and create a kickback.

Kickback causes and related warnings

Kickback is a sudden reaction of the workpiece due to a pinched, jammed saw blade or misaligned line of cut in the workpiece with respect to the saw blade or when a part of the workpiece binds between the saw blade and the rip fence or other fixed object.

Most frequently during kickback, the workpiece is lifted from the table by the rear portion of the saw blade and is propelled towards the operator.

Kickback is the result of saw misuse and/or incorrect operating procedures or conditions and can be avoided by taking proper precautions as given below.

1. **Never stand directly in line with the saw blade. Always position your body on the same side of the saw blade as the fence.** Kickback may propel the workpiece at high velocity towards anyone standing in front and in line with the saw blade.
2. **Never reach over or in back of the saw blade to pull or to support the workpiece.** Accidental contact with the saw blade may occur or kickback may drag your fingers into the saw blade.

3. **Never hold and press the workpiece that is being cut off against the rotating saw blade.** Pressing the workpiece being cut off against the saw blade will create a binding condition and kickback.
4. **Align the fence to be parallel with the saw blade.** A misaligned fence will pinch the workpiece against the saw blade and create kickback.
5. **Use extra caution when making a cut into blind areas of assembled workpieces.** The protruding saw blade may cut objects that can cause kickback.
6. **Support large panels to minimise the risk of saw blade pinching and kickback.** Large panels tend to sag under their own weight. Support(s) must be placed under all portions of the panel overhanging the table top.
7. **Use extra caution when cutting a workpiece that is twisted, knotted, warped or does not have a straight edge to guide it with a mitre gauge or along the fence.** A warped, knotted, or twisted workpiece is unstable and causes misalignment of the kerf with the saw blade, binding and kickback.
8. **Never cut more than one workpiece, stacked vertically or horizontally.** The saw blade could pick up one or more pieces and cause kickback.
9. **When restarting the saw with the saw blade in the workpiece, centre the saw blade in the kerf so that the saw teeth are not engaged in the material.** If the saw blade binds, it may lift up the workpiece and cause kickback when the saw is restarted.
10. **Keep saw blades clean, sharp, and with sufficient set. Never use warped saw blades or saw blades with cracked or broken teeth.** Sharp and properly set saw blades minimise binding, stalling and kickback.
7. **Always use saw blades with correct size and shape (diamond versus round) of arbour holes.** Saw blades that do not match the mounting hardware of the saw will run off-centre, causing loss of control.
8. **Never use damaged or incorrect saw blade mounting means such as flanges, saw blade washers, bolts or nuts.** These mounting means were specially designed for your saw, for safe operation and optimum performance.
9. **Never stand on the table saw, do not use it as a stepping stool.** Serious injury could occur if the tool is tipped or if the cutting tool is accidentally contacted.
10. **Make sure that the saw blade is installed to rotate in the proper direction. Do not use grinding wheels, wire brushes, or abrasive wheels on a table saw.** Improper saw blade installation or use of accessories not recommended may cause serious injury.

Additional instructions

1. **Only use the saw blades that are marked with a speed equal or higher than the speed marked on the tool.**
 2. **Select the correct saw blade for the material to be cut.**
 3. **Wear gloves when handling saw blades.**
 4. **Clean the spindle, flanges (especially the installing surface) and hex nut before installing the blade.** Poor installation may cause vibration/wobbling or slippage of the blade.
 5. **Do not cut metal objects such as nails and screws. Inspect for and remove all nails, screws and other foreign material from the workpiece before operation.**
 6. **NEVER permit anyone else to stand in line with the path of the saw blade.**
 7. **Before using the tool on an actual workpiece, let it run for a while. Watch for vibration or wobbling that could indicate poor installation or a poorly balanced blade.**
 8. **The tool should not be used for slotting, rabbetting or grooving.**
 9. **Replace the table insert when worn.**
 10. **Always store the push-stick when it is not in use.**
 11. **Knock out any loose knots from workpiece BEFORE beginning to cut.**
 12. **Some dust created from operation contains chemicals known to cause cancer, birth defects or other reproductive harm. Some examples of these chemicals are:**
 - lead from lead-based-painted material and,
 - arsenic and chromium from chemically-treated lumber.

Your risk from these exposures varies, depending on how often you do this type of work. To reduce your exposure to these chemicals: work in a well ventilated area and work with approved safety equipment, such as those dust masks that are specially designed to filter out microscopic particles.
- Table saw operating procedure warnings**
1. **Turn off the table saw and disconnect the power cord when removing the table insert, changing the saw blade or making adjustments to the riving knife, anti-kickback pawls or saw blade guard, and when the machine is left unattended.** Precautionary measures will avoid accidents.
 2. **Never leave the table saw running unattended. Turn it off and don't leave the tool until it comes to a complete stop.** An unattended running saw is an uncontrolled hazard.
 3. **Locate the table saw in a well-lit and level area where you can maintain good footing and balance. It should be installed in an area that provides enough room to easily handle the size of your workpiece.** Cramped, dark areas, and uneven slippery floors invite accidents.
 4. **Frequently clean and remove sawdust from under the saw table and/or the dust collection device.** Accumulated sawdust is combustible and may self-ignite.
 5. **The table saw must be secured.** A table saw that is not properly secured may move or tip over.
 6. **Remove tools, wood scraps, etc. from the table before the table saw is turned on.** Distraction or a potential jam can be dangerous.

13. Always make sure that sub guard is down and flat against saw-table before plugging in the tool.
14. Inspect extension cords periodically and replace if damaged.
15. (For European countries only)
Use only saw blades recommended by the manufacturer and which conform to EN847-1.

INSTALLATION

Positioning table saw

- **Fig.1:** 1. Hole diameter 8 mm
- **Fig.2:** 1. 6 mm Std. washer 2. No.10 wood screw 40 mm min. length
- **Fig.3:** 1. 6 mm Std. washer 2. 6 mm Mounting bolt & Nut tighten securely

Locate the table saw in a well lit and level area where you can maintain good footing and balance. It should be installed in an area that leaves enough room to easily handle the size of your workpieces. The table saw should be secured with four screws or bolts to the work bench or table saw stand using the holes provided in the bottom of the table saw. When securing the table saw on the work bench, make sure that there is an opening in the top of the work bench the same size as the opening in the bottom of the table saw so the saw-dust can drop through.

If during operation there is any tendency for the table saw to tip over, slide or move, the work bench or table saw stand should be secured to the floor.

Storing accessories

- **Fig.4:** 1. Miter gauge
- **Fig.5:** 1. Rip fence 2. Push stick 3. Anti-kickback pawls

The miter gauge, saw blade and wrenches can be stored on the left side of the base. Also the rip fence, push stick, and anti-kickback pawls can be stored at the right side of the base.

FUNCTIONAL DESCRIPTION

CAUTION: Always be sure that the tool is switched off and unplugged before adjusting or checking function on the tool.

Blade guard

WARNING: Never defeat or remove the blade guard. An exposed blade as a result of defeated guarding may result in serious personal injury during operation.

WARNING: Never use the tool if the blade guard is damaged, faulty or removed. Operation of the tool with a damaged, faulty or removed guard may result in serious personal injury.

- **Fig.6:** 1. Blade guard 2. Sub guard

When cutting, push the workpiece toward the blade with the lower edge of the sub guard contacting with the main table. As the workpiece is fed, the blade guard and the sub guard goes over the edge of the workpiece.

In the interest of your personal safety, always maintain the blade guard and sub guard in good condition. Any irregular operation of the blade guard and sub guard should be corrected immediately. Check to assure that the blade guard and the sub guard are down and the lower edge of the sub guard contacts with the main table when the workpiece is not fed.

If the see-through parts become dirty, or sawdust adheres to them in such a way that the blade and/or workpiece is no longer easily visible, unplug the tool and clean the see-through parts carefully with a damp cloth. Do not use solvents or any petroleum-based cleaners because this may cause damage to the parts. If see-through parts become discolored through age or UV light exposure, contact a Makita service center for a new parts. **DO NOT DEFEAT OR REMOVE BLADE GUARD AND SUB GUARD.**

Adjusting the depth of cut

- **Fig.7:** 1. Handle

The depth of cut may be adjusted by turning the handle. Turn the handle clockwise to raise the saw blade or counterclockwise to lower it.

NOTE: Use a shallow depth setting when cutting thin materials in order to obtain a cleaner cut.

Adjusting the bevel angle

- **Fig.8:** 1. Lock lever 2. Arrow pointer 3. Handwheel

Loosen the lock lever counterclockwise and turn the handwheel until the desired angle (0° - 45°) is obtained. The bevel angle is indicated by the arrow pointer. After obtaining the desired angle, tighten the lock lever clockwise to secure the adjustment.

CAUTION: After adjusting the bevel angle, be sure to tighten the lock lever securely.

Adjusting positive stops

► **Fig.9:** 1. 90° Adjusting screw 2. 45° Adjusting screw

► **Fig.10**

The tool is equipped with positive stops at 90° and 45° to the table surface. To check and adjust the positive stops, proceed as follows:

Move the handwheel as far as possible by turning it. Place a triangular rule on the table and check to see if the saw blade is at 90° or 45° to the table surface. If the saw blade is at an angle shown in Fig. A, turn the adjusting screws clockwise; if it is at an angle shown in Fig. B, turn the adjusting screws counterclockwise to adjust the positive stops.

After adjusting the positive stops, set the saw blade at 90° to the table surface. Then adjust the arrow pointer so that its right edge is aligned to the 0° graduation.

► **Fig.11:** 1. Arrow pointer

Switch action

► **Fig.12:** 1. Switch

CAUTION: Before operation, make sure that the tool is turned on and off.

To start the tool, press the ON (I) button. To stop it, press the OFF (O) button.

Sub fence (rip fence)

► **Fig.13:** 1. Clamping screw 2. Rip fence 3. Sub fence 4. Rail

If the rip fence comes close to the saw blade, use the sub fence to support the workpiece. Loosen the clamping screw and slide the sub fence out of the rail. Attach the sub fence as illustrated and tighten the clamping screws.

When the rip fence is attached to the left side of the saw blade, switch the sub fence position. Remove the clamping screws, sub fence, and rail from the rip fence. Loosely attach the rail on the right side of the rip fence using the removed clamping screws. After that, attach the sub fence and tighten the clamping screws.

► **Fig.14:** 1. Rip fence 2. Sub fence 3. Clamping screw 4. Rail

Sub table (R)

► **Fig.15:** 1. Lever

► **Fig.16:** 1. Sub table (R)

This tool is provided with the sub table (R) on the right side of the main table. To use the sub table (R), raise both levers on the front right side, pull out the table (R) fully and then lower the levers to secure it.

When using the sub table (R), locate the scale plate on the sub table after loosening the screw on it with a screwdriver so that it becomes successive with the scale plate on the main table.

► **Fig.17:** 1. Scale plate 2. Screw

Sub table (back)

Optional accessory

► **Fig.18:** 1. Sub table (back) 2. Screw

To use the sub table (back), loosen the screws on the left and right hand sides under the table and pull it out backwards to the desired length. At the desired length, tighten the screws securely.

NOTE: When using the sub table (back) during use of the rip fence, pull out the sub table (back) more than 50 mm so that it does not hit against the top end of the rip fence.

Sub table (L)

Optional accessory

► **Fig.19:** 1. Screw 2. Sub table (L)

Sub table (L) (optional accessory) can be installed on the left side of the table to obtain wider space.

Anti-kickback pawls

WARNING: Use the Antikickback pawls whenever possible during the through cutting operations. This will help prevent the material from being pushed forward into the operator during a kickback situation which may result in serious personal injury.

► **Fig.20:** 1. Antikickback pawl 2. Clamp

To remove the anti-kickback pawls from the tool, loosen the clamp on the root of the antikickback pawls and then pull them out. To install, perform the removal procedure in reverse.

ASSEMBLY

CAUTION: Always be sure that the tool is switched off and unplugged before carrying out any work on the tool.

Installing or removing saw blade

CAUTION: Always be sure that the tool is switched off and unplugged before installing or removing the saw blade.

CAUTION: Use only the Makita wrench provided to install or remove the saw blade. Failure to do so may result in overtightening or insufficient tightening of the hex bolt. This could cause an injury.

CAUTION: Use the following saw blade. Do not use saw blades which do not comply with the characteristics specified in these instructions.

Diameter	Blade thickness	Kerf
260 mm	Less than 1.9 mm	More than 2.1 mm

1. Loosen the screw on the table insert and remove it.
2. Hold the outer flange with the offset wrench and loosen the hex nut counterclockwise with the wrench. Then remove the outer flange.

► **Fig.21:** 1. Offset wrench 2. Hex nut 3. Wrench

3. Assemble the inner flange, ring, saw blade, outer flange and hex nut onto the arbor, making sure that the teeth of the blade are pointing down at the front of the table. Always install the hex nut with its recessed side facing the outer flange.

► **Fig.22:** 1. Inner flange 2. Ring 3. Saw blade
4. Outer flange 5. Hex nut

CAUTION: Be sure that the saw blade is installed so that the teeth are aligned in the cutting (turning) direction.

CAUTION: Check the arbor hole diameter of the saw blade before installing the saw blade. Always use the correct ring for the arbor hole of the saw blade you intend to use. The size of the supplied ring(s) varies depending on the country.

- For tool for a 30 mm hole-diameter saw blade, the ring 30 mm in outer diameter is provided.
- For tool for a 25.4 mm and 25 mm hole-diameter saw blade, the silver and black rings are provided. Use the silver ring for 25.4 mm hole-diameter saw blade and the black ring for 25 mm hole-diameter saw blade.

4. To secure the saw blade in place, hold the outer flange with the offset wrench, then tighten the hex nut clockwise with the wrench. **BE SURE TO TIGHTEN THE HEX NUT SECURELY.**

► **Fig.23:** 1. Offset wrench 2. Wrench

CAUTION: Keep the flange surface clean of dirt or other adhering matter; it could cause blade slippage.

CAUTION: Be sure to hold the hex nut carefully with the wrench. If your grip should slip, the wrench may come off the hex nut, and your hand could strike the sharp blade edges.

5. Attach the table insert in place with the screw.

Adjusting the riving knife

CAUTION: If the saw blade and riving knife are not aligned properly, a dangerous pinching condition may result during operation. Make sure they are properly aligned. You could suffer serious personal injury while using the tool without a properly aligned riving knife.

CAUTION: NEVER make any adjustments while tool is running. Disconnect the tool before making any adjustments.

CAUTION: Don't remove the riving knife.

► **Fig.24:** 1. Blade guard 2. Riving knife 3. Screw

The riving knife position is factory-adjusted so that the saw blade and riving knife will be in a straight line. However, you need to adjust it if the saw blade and riving knife are not in a straight line.

Loosen the screw on the table insert and remove it from the main table. Loosen the hex bolts (B) and adjust the blade guard mounting portion (stay) so that the riving knife is aligned directly behind the saw blade. Then tighten the hex bolts (B) to secure the stay and put the table insert in place.

► **Fig.25:** 1. Blade 2. These two clearances should be equal.
3. Riving knife 4. Hex bolts (B) 5. Hex bolts (A)

There must be a clearance of about 4 - 5 mm between the riving knife and the blade teeth. Loosen the hex bolts (A), adjust the riving knife accordingly and tighten the hex bolts (A) securely. Attach the table insert on the table with the screw, then check to see that the blade guard works smoothly before cutting.

► **Fig.26:** 1. Riving knife 2. Blade guard 3. 4 mm - 5mm clearance

Installing and adjusting rip fence

► **Fig.27:** 1. Hook 2. Knob 3. Guide rail

1. Fit the hook on the tip of the rip fence into the far guide rail on the table or sub table (R) and install and push the rip fence forward so that the fence holder engages with the nearest guide rail.

2. To slide the rip fence on the guide rail sideways, return the knob on the fence holder fully without pulling the lever on the knob.

To secure the rip fence, pivot fully the knob on the fence holder.

3. To remove the rip fence, pull the lever on the knob and pivot the knob fully forward while pulling the lever.

To check if the rip fence is parallel with the saw blade, secure the rip fence 2 - 3 mm from the saw blade. Raise the blade up to maximum elevation. Mark one of the blade teeth with a crayon. Measure the distance (A) and (B) between the rip fence and saw blade. Take both measurements using the tooth marked with the crayon. These two measurements should be identical. If the rip fence is not parallel with the saw blade, proceed as follows:

► **Fig.28:** 1. Scale

1. Position the rip fence in the sliding position.

2. Loosen the two hex bolts on the rip fence with the hex wrench provided.

► **Fig.29:** 1. Hex bolts

3. Adjust the rip fence until it becomes parallel with the saw blade.

4. Pivot down the knob on the rip fence toward the operator.

5. Tighten the two hex bolts on the rip fence.

► **Fig.30**

CAUTION: Be sure to adjust the rip fence so that it is parallel with the saw blade, or a dangerous kickback condition may occur.

When the rip fence cannot be secured solidly, adjust it according to the following procedure.

1. Set the rip fence on the table and then pivot the knob on the half way of its travel (moving position). Tighten the screw (A) until the rip fence is immobilized. Then loosen a 1/4 to 1/2 turn.

► **Fig.31:** 1. Rip fence 2. Released position 3. Moving position 4. Lock position

► **Fig.32:** 1. Rip fence 2. Moving position 3. Screw (B) 4. Screw (A)

2. Tighten the screw (B) fully and then loosen about 2 full revolutions.

- Lock the rip fence by fully pivoting the knob on the fence holder (lock position).
- Make sure that the rip fence can be installed and removed in the original position (released position).
- Make sure that the rip fence can be slid smoothly with no wobble when the knob is on half way of its travel.

NOTICE: Be careful not to tighten screws with more than tightening amount specified in the above instructions. Failure to do so may damage the fastened parts.

Bring the rip fence up flush against the side of the saw blade. Make sure that the guideline on the fence holder points to the 0 graduation. If the guideline does not point to the 0 graduation, loosen the screw on the scale plate and adjust the scale plate.

► **Fig.33:** 1. Guideline 2. Screws

Connecting to vacuum cleaner

Cleaner operations can be performed by connecting the tool to Makita vacuum cleaner or dust collector.

► **Fig.34**

OPERATION

CAUTION: Always use "work helpers" such as push sticks and push blocks when there is a danger that your hands or fingers will come close to the saw blade.

CAUTION: Always hold the workpiece firmly with the table and the rip fence or miter gauge. Do not bend or twist it while feeding. If the workpiece is bent or twisted, dangerous kickbacks may occur.

CAUTION: NEVER withdraw the workpiece while the saw blade is running. If you must withdraw the workpiece before completing a cut, first switch the tool off while holding the workpiece firmly. Wait until the saw blade has come to a complete stop before withdrawing the workpiece. Failure to do so may cause dangerous kickbacks.

CAUTION: NEVER remove cut-off material while the saw blade is running.

CAUTION: NEVER place your hands or fingers in the path of the saw blade. Be especially careful with bevel cuts.

CAUTION: Always secure the rip fence firmly, or dangerous kickbacks may occur.

CAUTION: Always use "work helpers" such as push sticks and push blocks when cutting small or narrow workpieces.

Work helpers

Push sticks, push blocks or auxiliary fence are types of "work helpers". Use them to make safe, sure cuts without the need for the operator to contact the saw blade with any part of the body.

Push block

► **Fig.35:** 1. Face/edge parallel 2. Handle 3. Wood screw 4. Glue together

Use a 19 mm piece of plywood.

Handle should be in center of plywood piece. Fasten with glue and wood screws as shown. Small piece 9.5 mm x 8 mm x 50 mm of wood must always be glued to plywood to keep the saw blade from dulling if the operator cuts into push block by mistake. (Never use nails in push block.)

Auxiliary fence

► **Fig.36:** 1. Face/edge parallel

Make auxiliary fence from 9.5 mm and 19 mm plywood pieces.

Ripping

CAUTION: When ripping, remove the miter gauge from the table.

CAUTION: When cutting long or large workpieces, always provide adequate support behind the table. DO NOT allow a long board to move or shift on the table. This will cause the saw blade to bind and increase the possibility of kickback and personal injury. The support should be at the same height as the table.

CAUTION: Do not perform bevel ripping on the bevelling side of the saw blade.

1. Adjust the depth of cut a bit higher than the thickness of the workpiece.

► **Fig.37**

2. Position the rip fence to the desired width of rip and lock in place by pivoting the knob. Before ripping, make sure the rear end of the rip fence is secured firmly. If it is not secured enough, follow the procedures in the section titled "Installing and adjusting rip fence".

3. Turn the tool on and gently feed the workpiece into the saw blade along with the rip fence.

When the width of rip is 150 mm and wider, carefully use your right hand to feed the workpiece. Use your left hand to hold the workpiece in position against the rip fence.

► **Fig.38**

When the width of rip is 65 mm - 150 mm wide, use the push stick to feed the workpiece.

► **Fig.39:** 1. Push stick

When the width of rip is narrower than 65 mm, the push stick cannot be used because the push stick will strike the blade guard. Use the auxiliary fence and push block. Attach the auxiliary fence to the rip fence with two "C" clamps. Feed the workpiece by hand until the end is about 25 mm from the front edge of the table.

► **Fig.40**

Continue to feed using the push block on the top of the auxiliary fence until the cut is complete.

► **Fig.41:** 1. Push block 2. Auxiliary fence

Cross cutting

CAUTION: When making a crosscut, remove the rip fence from the table.

CAUTION: When cutting long or large workpieces, always provide adequate support to the sides of the table. The support should be at the same height as the table.

CAUTION: Always keep hands away from path of blade.

Miter gauge

- Fig.42: 1. Cross cutting 2. Mitering 3. Bevel cutting
4. Compound mitering (angles)

Use the miter gauge for the 4 types of cutting shown in the figure.

CAUTION: Secure the knob on the miter gauge carefully.

CAUTION: Avoid creep of workpiece and gauge by firm workholding arrangement, especially when cutting at an angle.

CAUTION: NEVER hold or grasp the intended "cut-off" portion of the workpiece.

CAUTION: Always adjust the distance between the end of the miter gauge and the saw blade not to exceed 15 mm.

Miter gauge positive stop

- Fig.43: 1. Screw for positive stop 2. Small plate
3. Knob

Miter gauge is provided with positive stops at 90°, 45° right and left miter angles for quick setting of miter angles.

To set the miter angle, loosen the knob on the miter gauge.

Raise the small plate on the miter gauge for free setting. Turn the miter gauge to the desired miter angle. Return the small plate on the miter gauge to the original position and tighten the knob clockwise securely.

Use of miter gauge

- Fig.44: 1. Groove 2. Miter gauge 3. Knob

Slide the miter gauge into the thick grooves in the table. Loosen the knob on the gauge and align to desired angle (0° to 60°). Bring stock flush up against fence and feed gently forward into the saw blade.

Sub gauge (miter gauge)

- Fig.45: 1. Sub gauge

The sub gauge on the miter gauge prevents the workpiece from wobbling. Loosen the screw on the miter gauge and adjust the sub gauge position.

Carrying tool

- Fig.46

Make sure that the tool is unplugged. Carry the tool by holding the tool part shown in the figure.

CAUTION: Always secure all moving portions before carrying the tool.

CAUTION: Before the carrying the tool, make sure that the blade guard and the sub guard are down and the lower edge of the sub guard contacts with the main table.

MAINTENANCE

CAUTION: Always be sure that the tool is switched off and unplugged before attempting to perform inspection or maintenance.

NOTICE: Never use gasoline, benzine, thinner, alcohol or the like. Discoloration, deformation or cracks may result.

Cleaning

Clean out sawdust and chips from time to time. Carefully clean the blade guard and moving parts inside the table saw.

When removing the sawdust accumulated under the saw blade, remove the table insert and use an air duster to blow out the sawdust from the connector for a vacuum cleaner.

Lubrication

To keep the table saw in tip-top running condition, and to assure maximum service life, oil or grease the moving parts and rotating parts from time to time.

Lubrication places:

- Threaded shaft to elevate the saw blade
- Hinge to rotate the frame
- Elevation guide shafts on motor
- Gear to elevate the saw blade
- Guide rails for the rip fence
- Shaft of the sub table (R) locking levers
- Sliding part of the sub table (R)

Replacing carbon brushes

Check the carbon brushes regularly. Replace them when they wear down to the limit mark. Keep the carbon brushes clean and free to slip in the holders. Both carbon brushes should be replaced at the same time. Use only identical carbon brushes.

- Fig.47: 1. Limit mark

1. Store the sub table (R). Remove the rip fence if it is stored.
2. Loosen the lock lever and turn the handwheel until the saw head is tilted to 45° bevel angle. After that, tighten the lock lever.

- Fig.48: 1. Rip fence 2. Lock lever 3. Handwheel

3. Stand the tool on its right side.

- Fig.49

4. Loosen the screws on the bottom plate and remove it.
5. Loosen the brush holder caps using a screwdriver and remove the worn carbon brushes.
▶ **Fig.50:** 1. Bottom plate 2. Brush holder cap
3. Screwdriver
6. Insert the new carbon brushes and secure the brush holder caps.
7. Attach the bottom plate with screws and carefully lay the tool on its bottom. Store the rip fence if removed.

To maintain product SAFETY and RELIABILITY, repairs, any other maintenance or adjustment should be performed by Makita Authorized or Factory Service Centers, always using Makita replacement parts.

OPTIONAL ACCESSORIES

⚠ CAUTION: These accessories or attachments are recommended for use with your Makita tool specified in this manual. The use of any other accessories or attachments might present a risk of injury to persons. Only use accessory or attachment for its stated purpose.

If you need any assistance for more details regarding these accessories, ask your local Makita Service Center.

- Steel & Carbide-tipped saw blades
- Sub table (L)
- Sub table (back)
- Rip fence
- Miter gauge
- Offset wrench 13-22
- Wrench 19
- Hex wrench 5
- Joint (for connecting to dust collector)
- Table stand set

Refer to the instruction manual for table saw stand that is provided with the table saw stand as an optional accessory.

NOTE: Some items in the list may be included in the tool package as standard accessories. They may differ from country to country.






SPÉCIFICATIONS

Modèle :		2704N
Alésage central (Propre au pays)		30 mm / 25,4 mm
Diamètre de lame		260 mm
Capacité de coupe max.	biseau 0°	93 mm
	biseau 45°	64 mm
Vitesse à vide		5 200 min ⁻¹
Dimensions table (L x l)	avec sous-tables (D) et (arrière)	1 045 mm x 1 066 mm (tables déployées) 665 mm x 753 mm (tables rangées)
	avec sous-table (D) sans sous-table (arrière)	567 mm x 1 066 mm (table déployée) 567 mm x 753 mm (table rangée)
Dimensions (L x l x H) avec table(s) non déployée(s)	avec sous-tables (D) et (arrière)	715 mm x 753 mm x 483 mm
	avec sous-table (D) sans sous-table (arrière)	665 mm x 753 mm x 483 mm
Poids net		35,2 kg - 37,0 kg
Catégorie de sécurité		☐/II

- Étant donné l'évolution constante de notre programme de recherche et de développement, les spécifications contenues dans ce manuel sont sujettes à modification sans préavis.
- Les spécifications peuvent varier suivant les pays.
- Le poids peut être différent selon les accessoires. Les associations la plus légère et la plus lourde, conformément à la procédure EPTA 01/2014, sont indiquées dans le tableau.

Symboles

Vous trouverez ci-dessous les symboles utilisés pour l'appareil. Veuillez à comprendre leur signification avant toute utilisation.

	Lire le mode d'emploi.
	DOUBLE ISOLATION
	Portez des lunettes de sécurité.
	Ne pas placer les mains ou les doigts près de la lame.
	Uniquement pour les pays de l'Union européenne Ne pas jeter les appareils électriques avec les ordures ménagères ! Conformément à la directive européenne relative aux déchets d'équipements électriques et électroniques ainsi qu'à son application en conformité avec les lois nationales, les appareils électriques qui ont atteint la fin de leur durée de service doivent être collectés séparément et renvoyés à un établissement de recyclage respectueux de l'environnement.

Utilisations

L'outil est conçu pour effectuer des coupes dans le bois. Cet outil permet d'effectuer des coupes droites, des coupes en biseau et des coupes d'onglet. Il n'est pas conçu pour des coupes non traversantes.

Alimentation

L'outil ne devra être raccordé qu'à une alimentation de la même tension que celle qui figure sur la plaque signalétique, et il ne pourra fonctionner que sur un courant secteur monophasé. Réalisé avec une double isolation, il peut de ce fait être alimenté par une prise sans mise à la terre.

Bruit

Niveau de bruit pondéré A typique, déterminé selon EN62841 :

Niveau de pression sonore (L_{pA}) : 94 dB (A)
Niveau de puissance sonore (L_{WA}) : 107 dB (A)
Incertitude (K) : 3 dB (A)

⚠ AVERTISSEMENT : Portez un serre-tête antibruit.

Déclaration de conformité CE

Pour les pays européens uniquement

La déclaration de conformité CE est fournie en Annexe A à ce mode d'emploi.

CONSIGNES DE SÉCURITÉ

Consignes de sécurité générales pour outils électriques

⚠️ AVERTISSEMENT : Veuillez lire les consignes de sécurité, instructions, illustrations et spécifications qui accompagnent cet outil électrique. Le non-respect de toutes les instructions indiquées ci-dessous peut entraîner une électrocution, un incendie et/ou de graves blessures.

Conservez toutes les mises en garde et instructions pour référence ultérieure.

Le terme « outil électrique » dans les avertissements fait référence à l'outil électrique alimenté par le secteur (avec cordon d'alimentation) ou à l'outil électrique fonctionnant sur batterie (sans cordon d'alimentation).

Consignes de sécurité pour scies sur table

Avertissements concernant les protecteurs

1. **Conservez les protecteurs en place. Les protecteurs doivent être en état de fonctionnement et correctement montés.** Un protecteur lâche, détérioré ou fonctionnant mal doit être réparé ou remplacé.
2. **Vérifiez que la lame de scie ne touche pas le protecteur, le couteau diviseur ou la pièce avant de mettre sous tension.** Un contact accidentel de ces éléments avec la lame de scie est potentiellement dangereux.
3. **Réglez le couteau diviseur conformément à la description de ce mode d'emploi.** Un espacement, un positionnement et un alignement incorrects peuvent avoir pour conséquence que la probabilité de recul du couteau diviseur ne puisse être réduite.
4. **Pour que le couteau diviseur et les linguets antirecul fonctionnent, ils doivent être engagés dans la pièce.** En cas de coupe de pièces trop courtes pour être en contact avec le couteau diviseur et les linguets antirecul, ces derniers sont inopérants. Dans ces conditions, le couteau diviseur et les linguets antirecul ne peuvent pas empêcher un recul.
5. **Utilisez la lame de scie appropriée pour le couteau diviseur.** Pour que le couteau diviseur fonctionne correctement, le diamètre de la lame de scie doit correspondre au couteau diviseur approprié, le corps de la lame de scie doit être plus fin que l'épaisseur du couteau diviseur et la largeur de coupe de la lame de scie doit être supérieure à l'épaisseur du couteau diviseur.

Avertissements relatifs aux procédures de coupe

1. **⚠️ DANGER : Ne placez jamais vos doigts ou vos mains à proximité ou dans l'alignement de la lame de scie.** Un moment d'inattention ou un faux mouvement pourrait entraîner le déplacement de votre main vers la lame de scie et provoquer de graves blessures.
2. **Poussez la pièce dans la lame de scie seulement dans le sens contraire de la rotation.** Pousser la pièce dans le sens de rotation de la lame de scie au-dessus de la table peut entraîner la pièce et votre main dans la lame de scie.
3. **N'utilisez jamais de jauge à onglets pour pousser la pièce lorsque vous sciez en long, et n'utilisez pas le guide longitudinal comme butée longitudinale lorsque vous effectuez une coupe transversale avec la jauge à onglets.** Le guidage de la pièce simultanément avec le guide longitudinal et la jauge à onglets augmente la probabilité de grippage de la lame de scie et de recul.
4. **Lorsque vous sciez en long, appliquez toujours la force d'entraînement de la pièce entre le guide et la lame de scie. Utilisez un bâton poussoir lorsque la distance entre le guide et la lame de scie est inférieure à 150 mm, et utilisez un bloc poussoir lorsque cette distance est inférieure à 50 mm.** Des dispositifs « d'aide au travail » vous permettent de maintenir votre main à une distance de sécurité par rapport à la lame de scie.
5. **Utilisez exclusivement le bâton poussoir fourni par le fabricant ou construit conformément aux instructions.** Ce bâton poussoir permet d'obtenir une distance suffisante entre la main et la lame de scie.
6. **N'utilisez jamais un bâton poussoir détérioré ou coupé.** Un bâton poussoir détérioré peut se casser, ce qui peut faire glisser votre main dans la lame de scie.
7. **N'exécutez aucune opération « à main levée ». Utilisez toujours le guide longitudinal ou la jauge à onglets pour positionner et guider la pièce.** Travailler « à main levée » veut dire utiliser vos mains pour soutenir ou guider la pièce, au lieu d'un guide longitudinal ou d'une jauge à onglets. Scier à main levée entraîne des mauvais alignements, des grippages et des reculs.
8. **Gardez bien les mains à l'écart de la lame de scie en rotation.** Un contact de la main avec la pièce peut entraîner un contact accidentel avec la lame de scie en mouvement.
9. **Assurez un support auxiliaire à la pièce à l'arrière et/ou sur les côtés de la table pour maintenir à plat les pièces longues et/ou larges.** Une pièce longue et/ou large a tendance à pivoter sur le bord de la table, ce qui entraîne une perte de contrôle, un grippage de la lame de scie et un recul.
10. **Poussez la pièce à une vitesse régulière. N'inclinez pas ou ne tordez pas la pièce. En cas de blocage, mettez immédiatement l'outil hors tension, débranchez-le, puis éliminez le blocage.** Le blocage de la lame de scie par la pièce peut entraîner un recul ou faire caler le moteur.

11. **Ne retirez pas les pièces du matériau coupé tant que la scie fonctionne.** Le matériau peut se coincer entre le guide et la lame de scie ou dans le protecteur de lame de scie, ce qui peut entraîner vos doigts dans la lame de scie. Mettez hors tension la scie et attendez que la lame de scie s'arrête avant de retirer le matériau.
12. **Utilisez un guide auxiliaire en contact avec la surface de la table lorsque vous sciez en long des pièces d'une épaisseur inférieure à 2 mm.** Une pièce fine peut se coincer sous le guide longitudinal et entraîner un recul.
8. **Ne coupez jamais plusieurs pièces, empilées verticalement ou horizontalement.** La lame de scie pourrait prendre une ou plusieurs pièces et entraîner un recul.
9. **Lorsque vous redémarrez la scie, alors que la lame de scie est insérée dans la pièce, centrez la lame de scie dans le trait, de sorte que les dents de scie ne soient pas engagées dans le matériau.** Si la lame de scie s'enraye, elle peut soulever la pièce et entraîner un recul lors du redémarrage de la scie.
10. **Gardez les lames de scie propres, affûtées et correctement réglées. N'utilisez jamais de lames de scie voilées ou présentant des dents fissurées ou cassées.** Des lames de scie affûtées et correctement réglées réduisent les risques de grippage, de calage de moteur et de recul.

Causes du recul et avertissements correspondants

Le recul est une réaction soudaine de la pièce due à une lame de scie pincée ou coincée, ou encore à une ligne de coupe mal alignée dans la pièce par rapport à la lame de scie, ou lorsqu'une partie de la pièce s'accroche entre la lame de scie et le guide longitudinal ou un autre objet fixe.

Le plus souvent, lorsqu'un recul se produit, la pièce se soulève de la table par la partie arrière de la lame de scie et elle est propulsée vers l'opérateur.

Le recul est le résultat d'une mauvaise utilisation de la scie et/ou de procédures ou de conditions de fonctionnement incorrectes. Il est possible de l'éviter en adoptant les précautions appropriées indiquées ci-dessous.

1. **Ne vous alignez jamais directement par rapport à la lame de scie. Placez toujours votre corps du même côté de la lame de scie que le guide.** Le recul peut propulser la pièce à haute vitesse vers toute personne se trouvant devant la lame de scie et dans l'alignement de celle-ci.
2. **Ne vous positionnez jamais au-dessus ou à l'arrière de la lame de scie pour tirer ou soutenir la pièce.** Un contact accidentel avec la lame de scie peut se produire ou un recul peut entraîner vos doigts dans la lame de scie.
3. **Abstenez-vous de saisir la pièce en cours de coupe et de l'appuyer contre la lame de scie en rotation.** Une pression de la pièce en cours de coupe contre la lame de scie entraîne un grippage et un recul.
4. **Alignez le guide de sorte qu'il soit parallèle à la lame de scie.** Un mauvais alignement du guide entraîne un pincement de la pièce contre la lame de scie et provoque un recul.
5. **Soyez extrêmement attentif lorsque vous effectuez une coupe dans des zones non visibles de pièces assemblées.** La lame de scie en saillie peut couper des objets susceptibles de provoquer un recul.
6. **Assurez le soutien des panneaux de grande taille pour réduire le risque de pincement de lame de scie et de recul.** Les panneaux de grande taille tendent à s'affaisser sous leur propre poids. Le ou les soutiens doivent être placés sous toutes les parties du panneau au-dessus de la surface de la table.
7. **Soyez extrêmement attentif lorsque vous coupez une pièce tordue, noueuse ou voilée, ou qui ne présente pas de bord droit permettant de la guider avec une jauge à onglets ou le long du guide.** Une pièce tordue, noueuse ou voilée est instable et entraîne un mauvais alignement du trait avec la lame de scie, un grippage de la lame et un recul.
1. **Mettez hors tension la scie sur table et déconnectez le cordon d'alimentation lorsque vous retirez l'insert de table, changez la lame de scie ou réglez le couteau diviseur, les linguets antirecul ou le protecteur de lame de scie, mais également lorsque la machine est laissée sans surveillance.** Des mesures de précaution permettent d'éviter les accidents.
2. **Ne laissez jamais la scie sur table sans surveillance. Mettez-la hors tension et attendez que l'outil soit complètement arrêté avant de vous éloigner.** Une scie qui fonctionne sans surveillance constitue un danger non contrôlé.
3. **Placez la scie sur table dans un lieu bien éclairé et plat, afin de garder de bons appuis et un bon équilibre. Elle doit être installée dans un lieu qui présente assez d'espace pour vous permettre de manipuler facilement la taille de votre pièce.** Des lieux exigus et sombres, ainsi que des sols glissants et irréguliers favorisent les accidents.
4. **Effectuez des nettoyages fréquents et retirez la sciure sous la table et/ou dans le dispositif de collecte de la sciure.** Une accumulation de sciure est un combustible capable de s'enflammer spontanément.
5. **La scie sur table doit être sécurisée.** Une scie sur table mal sécurisée peut se déplacer ou se renverser.
6. **Retirez les outils, les chutes de bois, etc. de la table avant de mettre sous tension la scie sur table.** Une distraction ou un possible blocage peut être dangereux.
7. **Utilisez toujours des lames de scie dont les alésages centraux sont de taille et de forme (diamant plutôt que ronds) correctes.** Les lames de scie qui ne correspondent pas au matériel de montage de la scie sont décentrées, ce qui entraîne une perte de contrôle.
8. **N'utilisez jamais de moyens de montage de lames de scie détériorés ou incorrects tels que des flasques, des rondelles de lames de scie, des boulons ou des écrous.** Ces moyens de montage ont été spécifiquement conçus pour votre scie, pour un fonctionnement sécurisé et des performances optimales.

Avertissements relatifs à la procédure d'utilisation de la scie sur table

9. **Ne vous tenez jamais debout sur la scie sur table et ne l'utilisez pas comme un escabeau.** Vous risqueriez de gravement vous blesser si l'outil bascule ou si vous touchez accidentellement l'outil de coupe.
10. **Assurez-vous que la lame de scie est installée pour tourner dans la bonne direction. N'utilisez pas de meules, de brosses métalliques ou de meules abrasives sur une scie sur table.** Une installation de lame de scie inappropriée ou l'utilisation d'accessoires non recommandés peut entraîner de graves blessures.
13. **Avant de brancher l'outil, vérifiez toujours que le sous-protecteur est abaissé et plat contre la table.**
14. **Inspectez les rallonges périodiquement et remplacez-les si elles sont détériorées.**
15. **(Pour les pays européens uniquement) Utilisez uniquement les lames de scie recommandées par le fabricant et conformes à la norme EN847-1.**

Instructions supplémentaires

1. **Utilisez uniquement des lames de scie sur lesquelles est indiquée une vitesse égale ou supérieure à la vitesse figurant sur l'outil.**
2. **Sélectionnez la lame de scie correcte pour le matériau à couper.**
3. **Portez des gants lorsque vous manipulez des lames de scie.**
4. **Nettoyez l'axe, les flasques (surtout la surface d'installation) et l'écrou hexagonal avant d'installer la lame.** Une mauvaise installation peut entraîner un balourd/shimmy, ou un glissement de la lame.
5. **Ne coupez pas d'objets métalliques tels que des clous et des vis. Avant de travailler votre pièce, inspectez-la et retirez-en tous les clous, les vis et les autres corps étrangers.**
6. **INTERDISEZ TOUJOURS à quiconque de s'aligner directement par rapport au parcours de la lame de scie.**
7. **Avant d'utiliser l'outil sur la pièce, faites-le tourner un instant à vide. Vérifiez que la lame ne présente ni balourd ni shimmy qui pourraient résulter d'un montage incorrect ou d'un déséquilibre.**
8. **L'outil ne doit pas être utilisé pour tailler des encoches, des saignées ou des rainures.**
9. **Remplacez l'insert de table lorsqu'il est usé.**
10. **Rangez toujours le bâton poussoir lorsque vous ne l'utilisez pas.**
11. **Éliminez les éventuels nœuds qui se détachent de la pièce AVANT de commencer à couper.**
12. **Les poussières dégagées lors de l'utilisation de l'outil peuvent contenir des produits chimiques reconnus comme pouvant causer le cancer, des anomalies congénitales ou d'autres problèmes de reproduction. Parmi ces produits chimiques figurent notamment :**
 - le plomb que contiennent les matériaux recouverts de peinture à base de plomb et
 - l'arsenic et le chrome provenant du bois de construction traité chimiquement.**Les risques encourus varient suivant la fréquence d'exposition qu'implique votre travail. Pour réduire votre degré d'exposition à ces produits chimiques : travaillez dans une aire de travail bien aérée et en utilisant des dispositifs de sécurité approuvés, comme des masques à poussière spécialement conçus pour filtrer les particules microscopiques.**

INSTALLATION

Positionnement de la scie sur table

- **Fig.1:** 1. Diamètre d'orifice 8 mm
- **Fig.2:** 1. Rondelle standard 6 mm 2. Vis à bois N° 10 de 40 mm longueur min.
- **Fig.3:** 1. Rondelle standard 6 mm 2. Boulon et écrou de montage de 6 mm serrés fermement

Placez la scie sur table dans un lieu bien éclairé et plat, afin de garder de bons appuis et un bon équilibre. Elle doit être installée dans un lieu qui laisse assez d'espace pour vous permettre de manipuler facilement la taille de vos pièces. La scie sur table doit être fixée à l'aide de quatre vis ou boulons sur l'établi ou le pied de la scie sur table au moyen des orifices prévus sur le socle de la scie sur table. Lorsque vous fixez la scie sur table à l'établi, vérifiez la présence d'une ouverture en haut de l'établi de même taille que l'ouverture située sur le socle de la scie sur table, de sorte que la sciure puisse tomber à travers.

Si pendant l'utilisation, la scie sur table tend à basculer, à glisser ou à se déplacer, l'établi ou le pied de la scie sur table doit être fixé au sol.

Rangement des accessoires

- **Fig.4:** 1. Jauge à onglets
- **Fig.5:** 1. Guide longitudinal 2. Bâton poussoir 3. Linguets antirecul

La jauge à onglets, la lame de scie et les clés peuvent être rangées sur le côté gauche du socle. De plus, le guide longitudinal, le bâton poussoir et les linguets antirecul peuvent être rangés sur le côté droit du socle.

DESCRIPTION DU FONCTIONNEMENT

⚠ ATTENTION : Assurez-vous toujours que l'outil est hors tension et débranché avant de l'ajuster ou de vérifier son fonctionnement.

Protecteur de lame

⚠ AVERTISSEMENT : Ne modifiez pas et ne retirez pas le protecteur de lame. Une lame exposée suite à la modification du protecteur peut entraîner de graves blessures lors de l'utilisation.

⚠ AVERTISSEMENT : N'utilisez jamais l'outil si le protecteur de lame est endommagé, défectueux ou retiré. L'utilisation de l'outil avec un protecteur endommagé, défectueux ou retiré peut entraîner de graves blessures.

► **Fig.6:** 1. Protecteur de lame 2. Sous-protecteur

Pendant la coupe, poussez la pièce vers la lame avec le bord inférieur du sous-protecteur en contact avec la table principale. À mesure que la pièce est entraînée, le protecteur de lame et le sous-protecteur passent au-dessus de la pièce.

Par mesure de sécurité, conservez toujours le protecteur de lame et le sous-protecteur en bon état. Un fonctionnement irrégulier du protecteur de lame et du sous-protecteur doit être immédiatement corrigé. Veillez à ce que le protecteur de lame et le sous-protecteur soient abaissés et que le bord inférieur du sous-protecteur soit en contact avec la table principale lorsque la pièce n'est pas entraînée.

Si les pièces transparentes deviennent sales ou si de la sciure de bois y adhère au point que la lame et/ou la pièce ne soient plus visibles, débranchez l'outil et nettoyez soigneusement les pièces transparentes avec un chiffon humide. N'utilisez aucun solvant ou nettoyant à base de pétrole, car cela risquerait d'abîmer les pièces. Si des pièces transparentes se décolorent avec le temps ou sous l'effet des rayons ultraviolets, contactez un centre de service Makita pour obtenir de nouvelles pièces. **NE MODIFIEZ PAS ET NE RETIREZ PAS LE PROTECTEUR DE LAME ET LE SOUS-PROTECTEUR.**

Réglage de la profondeur de la coupe

► **Fig.7:** 1. Poignée

La profondeur de la coupe peut être réglée par actionnement de la poignée. Tournez la poignée dans le sens des aiguilles d'une montre pour lever la lame de scie, ou dans le sens inverse pour l'abaisser.

NOTE : Utilisez un réglage de profondeur limité pour couper des matériaux fins afin d'obtenir une coupe nette.

Réglage de l'angle de coupe en biseau

► **Fig.8:** 1. Levier de verrouillage 2. Pointeur flèche 3. Volant

Desserrez le levier de verrouillage dans le sens inverse des aiguilles d'une montre et tournez le volant jusqu'à obtention de l'angle voulu (0° - 45°). L'angle de coupe en biseau est indiqué par le pointeur flèche.

Après avoir obtenu l'angle voulu, serrez le levier de verrouillage dans le sens des aiguilles d'une montre pour fixer le réglage.

⚠ ATTENTION : Après avoir modifié l'angle de coupe en biseau, veillez à bien fixer le levier de verrouillage.

Réglage de butées fixes

► **Fig.9:** 1. Vis de réglage 90° 2. Vis de réglage 45°

► **Fig.10**

L'outil est équipé de butées fixes à 90° et 45° par rapport à la surface de la table. Pour vérifier et régler les butées fixes, procédez comme suit : Déplacez le volant le plus possible en le faisant tourner. Placez une règle triangulaire sur la table et vérifiez que la lame de scie est à 90° ou 45° par rapport à la surface de la table. Si la lame de scie présente un angle illustré à la fig. A, tournez les vis de réglage dans le sens des aiguilles d'une montre ; si elle présente un angle illustré à la fig. B, tournez les vis de réglage dans le sens inverse des aiguilles d'une montre pour régler les butées fixes. Après avoir réglé les butées fixes, réglez la lame de scie à 90° par rapport à la surface de la table. Ensuite, réglez le pointeur flèche de sorte que son bord droit soit aligné avec la graduation 0°.

► **Fig.11:** 1. Pointeur flèche

Interrupteur

► **Fig.12:** 1. Interrupteur

⚠ ATTENTION : Avant utilisation, assurez-vous que l'outil peut être mis sous et hors tension.

Pour mettre l'outil sous tension, appuyez sur le bouton MARCHE (I).

Pour mettre l'outil hors tension, appuyez sur le bouton ARRÊT (O).

Sous-guide (guide longitudinal)

► **Fig.13:** 1. Vis de serrage 2. Guide longitudinal 3. Sous-guide 4. Rail

Si le guide longitudinal s'approche de la lame de scie, utilisez le sous-guide pour soutenir la pièce. Desserrez la vis de serrage et extrayez le sous-guide du rail. Fixez le sous-guide comme l'illustre la figure et serrez les vis de serrage.

Lorsque le guide longitudinal est fixé au côté gauche de la lame de scie, actionnez la position du sous-guide. Retirez les vis de serrage, le sous-guide et le rail du guide longitudinal. Fixez sans serrer le rail au côté droit du guide longitudinal à l'aide des vis de serrage retirées. Ensuite, fixez le sous-guide et serrez les vis de serrage.

► **Fig.14:** 1. Guide longitudinal 2. Sous-guide 3. Vis de serrage 4. Rail

Sous-table (D)

- Fig.15: 1. Levier
- Fig.16: 1. Sous-table (D)

Cet outil est fourni avec la sous-table (D) sur le côté droit de la table principale. Pour utiliser la sous-table (D), soulevez les deux leviers du côté droit avant, déployez la table (D) totalement, puis abaissez les leviers pour la fixer.

Lorsque vous utilisez la sous-table (D), localisez la plaque graduée sur la sous-table après avoir desserré sa vis avec un tournevis de sorte qu'elle se présente à la suite de la plaque graduée de la table principale.

- Fig.17: 1. Plaque graduée 2. Vis

Sous-table (arrière)

Accessoire en option

- Fig.18: 1. Sous-table (arrière) 2. Vis

Pour utiliser la sous-table (arrière), desserrez les vis des côtés gauche et droit sous la table et tirez celle-ci vers l'arrière jusqu'à la longueur souhaitée. Une fois la longueur souhaitée atteinte, serrez fermement les vis.

NOTE : Lorsque vous utilisez la sous-table (arrière) avec le guide longitudinal, tirez-la à plus de 50 mm de sorte qu'elle ne heurte pas l'extrémité supérieure du guide longitudinal.

Sous-table (G)

Accessoire en option

- Fig.19: 1. Vis 2. Sous-table (G)

La sous-table (G) (accessoire en option) peut être installée du côté gauche de la table pour obtenir plus d'espace.

Linguets antirecul

AVERTISSEMENT : Utilisez les linguets antirecul le plus possible pendant les opérations de coupe. Ils aident à éviter que le matériau soit poussé à l'avant vers l'opérateur en cas de recul, ce qui pourrait entraîner de graves blessures.

- Fig.20: 1. Linguet antirecul 2. Dispositif de serrage

Pour retirer les linguets antirecul de l'outil, desserrez le dispositif de serrage à la base des linguets antirecul, puis extrayez-les. Pour les installer, effectuez la procédure inverse.

ASSEMBLAGE

ATTENTION : Avant d'effectuer toute intervention sur l'outil, assurez-vous toujours qu'il est hors tension et débranché.

Pose et dépose de la lame de scie

ATTENTION : Avant de poser ou de déposer la lame de scie, veillez à ce que l'outil soit toujours hors tension et débranché.

ATTENTION : Utilisez exclusivement la clé Makita fournie pour poser ou déposer la lame de scie. Sinon, le boulon hexagonal risque d'être trop ou pas assez serré. Cela peut entraîner des blessures.

ATTENTION : Utilisez la lame de scie suivante. N'utilisez pas de lames de scie non conformes aux caractéristiques spécifiées dans ces instructions.

Diamètre	Épaisseur de la lame	Trait
260 mm	Inférieure à 1,9 mm	Supérieur à 2,1 mm

1. Desserrez la vis sur l'insert de table et retirez-le.
 2. Saisissez le flasque extérieur avec la clé oblique et desserrez l'écrou hexagonal dans le sens inverse des aiguilles d'une montre avec la clé. Retirez ensuite le flasque extérieur.
- Fig.21: 1. Clé oblique 2. Écrou hexagonal 3. Clé
3. Montez le flasque intérieur, la bague, la lame de scie, le flasque extérieur et l'écrou hexagonal à l'alésage, en veillant à ce que les dents de la lame pointent vers le bas à l'avant de la table. Installez toujours l'écrou hexagonal avec son côté enfoncé qui fait face au flasque extérieur.

- Fig.22: 1. Flasque intérieur 2. Bague 3. Lame de scie 4. Flasque extérieur 5. Écrou hexagonal

ATTENTION : Veillez à ce que la lame de scie soit posée de sorte que les dents soient alignées dans le sens de la coupe (rotation).

ATTENTION : Vérifiez le diamètre de l'alésage central de la lame de scie avant de la poser. Utilisez toujours la bague correcte pour l'alésage central de la lame de scie que vous prévoyez d'utiliser. La taille de la ou des bagues fournies varie selon le pays.

- Pour l'outil dont la lame de scie a un diamètre d'orifice de 30 mm, la bague d'un diamètre extérieur de 30 mm est fournie.
- Pour l'outil dont la lame de scie a un diamètre d'orifice de 25,4 mm et de 25 mm, les bagues argentées et noires sont fournies. Utilisez la bague argentée pour la lame de scie d'un diamètre d'orifice de 25,4 mm, et la bague noire pour la lame de scie d'un diamètre d'orifice de 25 mm.

4. Pour fixer la lame de scie, saisissez le flasque extérieur avec la clé oblique, puis serrez l'écrou hexagonal dans le sens des aiguilles d'une montre avec la clé. VEILLENZ À BIEN SERRER L'ÉCROU HEXAGONAL.

- Fig.23: 1. Clé oblique 2. Clé

⚠ ATTENTION : Maintenez la surface du flasque exempte de saleté ou d'autres matières adhérentes qui pourraient faire glisser la lame.

⚠ ATTENTION : Veillez à bien saisir l'écrou hexagonal avec la clé. Si vous relâchez la prise, la clé peut se détacher de l'écrou hexagonal, et votre main pourrait frapper les bords affûtés de la lame.

5. Fixez l'insert de table avec la vis.

Réglage du couteau diviseur

⚠ ATTENTION : Si la lame de scie et le couteau diviseur ne sont pas correctement alignés, une situation dangereuse de pincement peut en résulter pendant le fonctionnement. Veillez à ce qu'ils soient correctement alignés. L'utilisation de l'outil avec le couteau diviseur incorrectement aligné peut entraîner de graves blessures.

⚠ ATTENTION : N'effectuez JAMAIS de réglage lorsque l'outil fonctionne. Débranchez l'outil avant d'effectuer tout réglage.

⚠ ATTENTION : Ne retirez pas le couteau diviseur.

- Fig.24: 1. Protecteur de lame 2. Couteau diviseur 3. Vis

La position du couteau diviseur est réglée en usine de sorte que la lame de scie et le couteau diviseur forment une ligne droite. Toutefois, vous devez la régler si la lame de scie et le couteau diviseur ne forment pas une ligne droite.

Desserrez la vis sur l'insert de table et retirez-le de la table principale. Desserrez les boulons hexagonaux (B) et réglez la partie de montage du protecteur de lame (étai) de sorte que le couteau diviseur soit directement aligné à l'arrière de la lame de scie. Ensuite, serrez les boulons hexagonaux (B) pour fixer l'étai et mettre l'insert de table en place.

- Fig.25: 1. Lame 2. Ces deux espaces doivent être égaux. 3. Couteau diviseur 4. Boulons hexagonaux (B) 5. Boulons hexagonaux (A)

Un espace d'environ 4 - 5 mm entre le couteau diviseur et les dents de lame doit être présent. Desserrez les boulons hexagonaux (A), réglez le couteau diviseur en conséquence et serrez bien les boulons hexagonaux (A). Fixez l'insert de table à la table à l'aide de la vis, puis vérifiez que le protecteur de lame fonctionne sans heurt avant de couper.

- Fig.26: 1. Couteau diviseur 2. Protecteur de lame 3. Espace de 4 mm - 5 mm

Pose et réglage du guide longitudinal

- Fig.27: 1. Crochet 2. Molette 3. Rail de guidage

1. Adaptez le crochet à l'extrémité du guide longitudinal dans le rail de guidage extérieur sur la table ou la sous-table (D), puis posez et poussez le guide longitudinal de sorte que le support du guide s'engage sur le rail de guidage le plus proche.

2. Pour faire coulisser le guide longitudinal sur le rail de guidage par le côté, ramenez la molette du support du guide en position originale sans tirer sur le levier de la molette.

Pour fixer le guide longitudinal, faites totalement pivoter la molette sur le support du guide.

3. Pour retirer le guide longitudinal, tirez le levier de la molette et faites pivoter la molette totalement vers l'avant tout en tirant sur le levier.

Pour vérifier si le guide longitudinal est parallèle avec la lame de scie, fixez le guide longitudinal à 2 - 3 mm de la lame de scie. Soulevez la lame à la hauteur maximale. Marquez l'une des dents de lame avec un crayon. Mesurez la distance (A) et (B) entre le guide longitudinal et la lame de scie. Prenez les deux mesures à l'aide de la dent marquée avec le crayon. Ces deux mesures doivent être égales. Si le guide longitudinal n'est pas parallèle à la lame de scie, procédez comme suit :

- Fig.28: 1. Graduation

1. Placez le guide longitudinal en position de coulissement.

2. Desserrez les deux boulons hexagonaux présents sur le guide longitudinal à l'aide de la clé hexagonale fournie.

- Fig.29: 1. Boulons hexagonaux

3. Réglez le guide longitudinal de sorte qu'il soit parallèle à la lame de scie.

4. Faites pivoter vers le bas la molette du guide longitudinal en direction de l'opérateur.

5. Serrez les deux boulons hexagonaux présents sur le guide longitudinal.

- Fig.30

⚠ ATTENTION : Veillez à régler le guide longitudinal de sorte qu'il soit parallèle à la lame de scie, afin d'éviter toute situation dangereuse de recul.

Lorsqu'il est impossible de fixer solidement le guide longitudinal, réglez-le à l'aide de la procédure suivante.

1. Placez le guide longitudinal sur la table, puis faites pivoter la molette à mi-course de son parcours (position mobile). Serrez la vis (A) jusqu'à ce que le guide longitudinal soit immobilisé. Ensuite, desserrez d'un 1/4 à 1/2 tour.

- Fig.31: 1. Guide longitudinal 2. Position de libération 3. Position mobile 4. Position de verrouillage

- Fig.32: 1. Guide longitudinal 2. Position mobile 3. Vis (B) 4. Vis (A)

2. Serrez totalement la vis (B), puis desserrez d'environ deux tours complets.

3. Verrouillez le guide longitudinal en faisant totalement pivoter la molette sur le support du guide (position de verrouillage).

4. Assurez-vous que le guide longitudinal peut être installé et ramené en position originale (position de libération).

5. Assurez-vous que le guide longitudinal peut coulisser facilement sans balourd lorsque la molette est à mi-course de son déplacement.

REMARQUE : Veillez à serrer les vis sans dépasser la valeur de serrage indiquée dans les instructions ci-dessus. Le non-respect de cette consigne peut détériorer les pièces fixes.

Placez le guide longitudinal contre le côté de la lame de scie. Assurez-vous que la ligne conductrice présente sur le support du guide pointe sur la graduation 0°. Si la ligne conductrice ne pointe pas sur la graduation 0°, desserrez la vis présente sur la plaque graduée et réglez celle-ci.

► **Fig.33:** 1. Ligne conductrice 2. Vis

Connexion à l'aspirateur

Il est possible d'effectuer des opérations de nettoyage en connectant l'outil à l'aspirateur Makita ou au dispositif de collecte de la sciure.

► **Fig.34**

UTILISATION

⚠ ATTENTION : Utilisez toujours des « assistants » tels que des bâtons poussoir et des blocs poussoir lorsque vos mains ou vos doigts risquent de se rapprocher de la lame de scie.

⚠ ATTENTION : Tenez toujours fermement la pièce à l'aide de la table et du guide longitudinal ou de la jauge à onglets. N'inclinez pas ou ne tordez pas la pièce lorsque vous la poussez. Si la pièce est tordue ou inclinée, des reculs dangereux risquent de se produire.

⚠ ATTENTION : Ne retirez JAMAIS la pièce lorsque la lame de scie fonctionne. Si vous devez retirer la pièce avant la fin d'une coupe, commencez par mettre hors tension l'outil tout en tenant la pièce fermement. Attendez que la lame de scie soit totalement arrêtée avant de retirer la pièce. Le non-respect de cette consigne peut entraîner un recul dangereux.

⚠ ATTENTION : Ne retirez JAMAIS le matériau coupé tant que la lame de scie fonctionne.

⚠ ATTENTION : Ne placez JAMAIS vos mains ou vos doigts sur le parcours de la lame de scie. Soyez particulièrement attentif avec les coupes en biseau.

⚠ ATTENTION : Fixez toujours fermement le guide longitudinal pour éviter tout recul dangereux.

⚠ ATTENTION : Utilisez toujours des « assistants » tels que des bâtons poussoir et des blocs poussoir lorsque vous coupez des pièces petites ou étroites.

Assistants

Les bâtons poussoir, les blocs poussoir ou le guide auxiliaire sont des types d'« assistant ». Utilisez-les pour faire des coupes en toute sécurité et éviter que l'opérateur mette en contact la lame de scie avec une partie de son corps.

Bloc poussoir

► **Fig.35:** 1. Face/bord parallèle 2. Poignée 3. Vis à bois 4. Encollés

Utilisez une pièce de contreplaqué de 19 mm. La poignée doit se trouver au centre de la pièce en contreplaqué. Fixez à l'aide de colle et de vis à bois comme illustré. Une petite pièce de bois de 9,5 mm x 8 mm x 50 mm doit toujours être collée au contreplaqué pour empêcher la lame de scie de s'émousser si l'opérateur coupe un bloc poussoir par erreur. (N'utilisez jamais de clous dans les blocs poussoir).

Guide auxiliaire

► **Fig.36:** 1. Face/bord parallèle

Faites un guide auxiliaire à l'aide de pièces de contreplaqué de 9,5 mm et 19 mm.

Coupe en long

⚠ ATTENTION : Lorsque vous coupez en long, retirez la jauge à onglets de la table.

⚠ ATTENTION : Lorsque vous coupez des pièces longues ou larges, fournissez toujours un support adapté à l'arrière de la table. **NE LAISSEZ PAS une longue planche se déplacer ou bouger sur la table.** Cela entraînerait une torsion de la lame de scie et augmenterait le risque de recul et de blessure. Le support doit être à la même hauteur que la table.

⚠ ATTENTION : N'effectuez pas de coupe en biseau en long sur le côté biseauté de la lame de scie.

1. Réglez la profondeur de coupe à une hauteur un peu supérieure par rapport à l'épaisseur de la pièce.
► **Fig.37**
2. Placez le guide longitudinal sur la largeur de coupe souhaitée et maintenez-le en place en faisant pivoter la molette. Avant d'effectuer la coupe en long, vérifiez que l'extrémité arrière du guide longitudinal est solidement fixée. Si elle ne l'est pas assez, suivez les procédures de la section intitulée « Pose et réglage du guide longitudinal ».
3. Mettez l'outil sous tension et poussez doucement la pièce dans la lame de scie en même temps que le guide longitudinal.

Lorsque la largeur de la coupe est de 150 mm ou plus, poussez la pièce avec votre main droite en étant prudent. Utilisez votre main gauche pour maintenir en place la pièce contre le guide longitudinal.

► **Fig.38**

Lorsque la largeur de la coupe est de 65 mm - 150 mm, poussez la pièce avec le bâton poussoir.

► **Fig.39:** 1. Bâton poussoir

Lorsque la largeur de la coupe est inférieure à 65 mm, il est impossible d'utiliser le bâton poussoir car il heurterait le protecteur de lame. Utilisez le guide auxiliaire et le bloc poussoir. Fixez le guide auxiliaire au guide longitudinal à l'aide de deux dispositifs de serrage en « C ». Poussez la pièce à la main jusqu'à ce que l'extrémité soit à environ 25 mm du bord antérieur de la table.

► **Fig.40**

Continuez à pousser à l'aide du bloc poussoir au sommet du guide auxiliaire jusqu'à la fin de la coupe.

► **Fig.41:** 1. Bloc poussoir 2. Guide auxiliaire

Coupe transversale

⚠ ATTENTION : Lorsque vous effectuez une coupe transversale, retirez le guide longitudinal de la table.

⚠ ATTENTION : Lorsque vous coupez des pièces longues ou larges, fournissez toujours un support adapté aux côtés de la table. Le support doit être à la même hauteur que la table.

⚠ ATTENTION : Éloignez toujours les mains du parcours de la lame.

Jauge à onglets

► Fig.42: 1. Coupe transversale 2. Coupe d'onglet
3. Coupe en biseau 4. Coupe composée (angles)

Utilisez la jauge à onglets pour les quatre types de coupe indiqués sur la figure.

⚠ ATTENTION : Fixez la molette sur la jauge à onglets en étant prudent.

⚠ ATTENTION : Évitez de déformer la pièce et la jauge en agençant fermement le porte-pièce, notamment en cas de coupe avec un angle.

⚠ ATTENTION : Ne saisissez JAMAIS la partie « à découper » de la pièce.

⚠ ATTENTION : Réglez toujours la distance entre l'extrémité de la jauge à onglets et la lame de scie pour qu'elle n'excède pas 15 mm.

Butée fixe de la jauge à onglets

► Fig.43: 1. Vis de la butée fixe 2. Plaquette
3. Molette

La jauge à onglets est fournie avec des butées fixes aux angles de coupe d'onglet droit et gauche de 90°, 45° pour un réglage rapide des angles de coupe d'onglet. Pour régler l'angle de coupe d'onglet, desserrez la molette sur la jauge à onglets.

Soulevez la plaquette sur la jauge à onglets pour effectuer un réglage libre. Faites tourner la jauge à onglets dans l'angle de coupe d'onglet de votre choix. Ramenez la plaquette présente sur la jauge à onglets dans sa position d'origine et serrez bien la molette dans le sens des aiguilles d'une montre.

Utilisation de la jauge à onglets

► Fig.44: 1. Rainure 2. Jauge à onglets 3. Molette

Faites coulisser la jauge à onglets dans les épaisses rainures de la table. Desserrez la molette sur la jauge et effectuez un alignement à l'angle souhaité (0° à 60°). Placez le matériau contre le guide et poussez doucement vers l'avant dans la lame de scie.

Sous-jauge (jauge à onglets)

► Fig.45: 1. Sous-jauge

La sous-jauge présente sur la jauge à onglets empêche la pièce d'osciller. Desserrez la vis sur la jauge à onglets et réglez la position de la sous-jauge.

Transport de l'outil

► Fig.46

Assurez-vous que l'outil est débranché.

Transportez l'outil en le tenant par la partie illustrée sur la figure.

⚠ ATTENTION : Immobilisez toujours toutes les pièces mobiles de l'outil avant de le transporter.

⚠ ATTENTION : Avant de transporter l'outil, veillez à ce que le protecteur de lame et le sous-protecteur soient abaissés et que le bord inférieur du sous-protecteur est en contact avec la table principale.

ENTRETIEN

⚠ ATTENTION : Assurez-vous toujours que l'outil est hors tension et débranché avant d'y effectuer tout travail d'inspection ou d'entretien.

REMARQUE : N'utilisez jamais d'essence, benzine, diluant, alcool ou autre produit similaire. Cela risquerait de provoquer la décoloration, la déformation ou la fissuration de l'outil.

Nettoyage

De temps en temps, éliminez la sciure et les copeaux.

Nettoyez soigneusement le protecteur de lame et les pièces mobiles à l'intérieur de la scie sur table.

Lorsque vous éliminez la sciure accumulée sous la lame de scie, retirez l'insert de table et utilisez une bombe dépoussiérante pour déplacer la sciure du connecteur, afin de pouvoir l'aspirer avec un aspirateur.

Lubrification

Pour maintenir la scie sur table en excellente condition de fonctionnement, et pour assurer une durée de service maximale, appliquez de temps en temps de l'huile ou de la graisse sur les pièces mobiles et en rotation. Emplacements à lubrifier :

- Axe fileté d'élévation de la lame de scie
- Charnière de rotation du cadre
- Axes de guidage d'élévation sur le moteur
- Engrenage d'élévation de la lame de scie
- Rails de guidage du guide longitudinal
- Axe des leviers de verrouillage de la sous-table (D)
- Pièces coulissantes de la sous-table (D)

Remplacement d'un balai en carbone

Vérifiez régulièrement les balais en carbone. Remplacez-les lorsqu'ils sont usés jusqu'au trait du repère d'usure. Maintenez les balais en carbone propres et en état de glisser aisément dans les porte-charbons. Les deux balais en carbone doivent être remplacés en même temps. N'utilisez que des balais en carbone identiques.

► **Fig.47:** 1. Repère d'usure

1. Rangez la sous-table (D). Retirez le guide longitudinal s'il est rangé.

2. Desserrez le levier de verrouillage et tournez le volant jusqu'à ce que la tête de la scie soit inclinée à un angle de coupe en biseau de 45°. Ensuite, serrez le levier de verrouillage.

► **Fig.48:** 1. Guide longitudinal 2. Levier de verrouillage 3. Volant

3. Posez l'outil sur son côté droit.

► **Fig.49**

4. Desserrez les vis de la plaque de base et retirez-la.

5. Desserrez les bouchons de porte-charbon à l'aide d'un tournevis et retirez les balais en carbone usés.

► **Fig.50:** 1. Plaque de base 2. Bouchon de porte-charbon 3. Tournevis

6. Insérez les nouveaux balais en carbone et fixez les bouchons de porte-charbon.

7. Fixez la plaque de base à l'aide de vis et posez délicatement l'outil sur son socle. Rangez le guide longitudinal s'il est retiré.

Pour assurer la SÉCURITÉ et la FIABILITÉ du produit, toute réparation, tout travail d'entretien ou de réglage doivent être effectués par un centre d'entretien Makita agréé, avec des pièces de rechange Makita.

- Joint (pour la connexion au dispositif de collecte de la sciure)
- Chevalet de table

Pour le chevalet de la scie sur table, fourni avec la scie sur table en tant qu'accessoire en option, reportez-vous à son mode d'emploi.

NOTE : Il se peut que certains éléments de la liste soient compris dans l'emballage de l'outil en tant qu'accessoires standard. Ils peuvent varier d'un pays à l'autre.

ACCESSOIRES EN OPTION

⚠ ATTENTION : Ces accessoires ou pièces complémentaires sont recommandés pour l'utilisation avec l'outil Makita spécifié dans ce mode d'emploi. L'utilisation de tout autre accessoire ou pièce complémentaire peut comporter un risque de blessure. N'utilisez les accessoires ou pièces complémentaires qu'aux fins auxquelles ils ont été conçus.

Pour obtenir plus de détails sur ces accessoires, contactez votre centre d'entretien local Makita.

- Lames de scie en acier à dents de carbure
- Sous-table (G)
- Sous-table (arrière)
- Guide longitudinal
- Jauge à onglets
- Clé oblique 13-22
- Clé 19
- Clé hexagonale 5






TECHNISCHE DATEN

Modell:		2704N
Spindelbohrung (Länderspezifisch)		30 mm / 25,4 mm
Sägeblattdurchmesser		260 mm
Max. Schnittleistung	Neigung 0°	93 mm
	Neigung 45°	64 mm
Leerlaufdrehzahl		5.200 min ⁻¹
Tischgröße (L x B)	mit Zusatztischen (R) und (Rückseite)	1.045 mm x 1.066 mm (Tische ausgefahren) 665 mm x 753 mm (Tische verstaut)
	mit Zusatztisch (R) ohne Zusatztisch (Rückseite)	567 mm x 1.066 mm (Tisch ausgefahren) 567 mm x 753 mm (Tisch verstaut)
Abmessungen (L x B x H) Tisch(e) nicht ausgefahren	mit Zusatztischen (R) und (Rückseite)	715 mm x 753 mm x 483 mm
	mit Zusatztisch (R) ohne Zusatztisch (Rückseite)	665 mm x 753 mm x 483 mm
Nettogewicht		35,2 kg - 37,0 kg
Sicherheitsklasse		□/II

- Wir behalten uns vor, Änderungen der technischen Daten im Zuge der Entwicklung und des technischen Fortschritts ohne vorherige Ankündigung vorzunehmen.
- Die technischen Daten können von Land zu Land unterschiedlich sein.
- Das Gewicht kann abhängig von den Aufsätzen unterschiedlich sein. Die leichteste und die schwerste Kombination, gemäß dem EPTA-Verfahren 01/2014, sind in der Tabelle angegeben.

Symbole

Nachfolgend werden die für das Gerät verwendeten Symbole beschrieben. Machen Sie sich vor der Benutzung mit ihrer Bedeutung vertraut.

	Betriebsanleitung lesen.
	DOPPELTE ISOLIERUNG
	Schutzbrille tragen.
	Halten Sie Hände oder Finger vom Sägeblatt fern.
	Nur für EU-Länder Werfen Sie Elektrogeräte nicht in den Hausmüll! Unter Einhaltung der Europäischen Richtlinie über Elektro- und Elektronik-Altgeräte und ihrer Umsetzung gemäß den Landesgesetzen müssen Elektrogeräte, die das Ende ihrer Lebensdauer erreicht haben, getrennt gesammelt und einer umweltgerechten Recycling-Einrichtung zugeführt werden.

Vorgesehene Verwendung

Das Werkzeug ist für das Schneiden von Holz vorgesehen.
Geradschnitte, Neigungsschnitte und Gehrungsschnitte sind mit diesem Werkzeug ausführbar. Dieses Werkzeug ist nicht für Unterschnitte ausgelegt.

Stromversorgung

Das Werkzeug sollte nur an eine Stromquelle angeschlossen werden, deren Spannung mit der Angabe auf dem Typenschild übereinstimmt, und kann nur mit Einphasen-Wechselstrom betrieben werden. Diese sind doppelt schutzisoliert und können daher auch an Steckdosen ohne Erdleiter verwendet werden.

Geräusch

Typischer A-bewerteter Geräuschpegel ermittelt gemäß EN62841:
Schalldruckpegel (L_{PA}): 94 dB (A)
Schalleistungspegel (L_{WA}): 107 dB (A)
Messunsicherheit (K): 3 dB (A)

⚠️ WARNUNG: Einen Gehörschutz tragen.

EG-Konformitätserklärung

Nur für europäische Länder

Die EG-Konformitätserklärung ist als Anhang A in dieser Bedienungsanleitung enthalten.

SICHERHEITSWARNUNGEN

Allgemeine Sicherheitswarnungen für Elektrowerkzeuge

⚠️ WARNUNG: Lesen Sie alle mit diesem Elektrowerkzeug gelieferten Sicherheitswarnungen, Anweisungen, Abbildungen und technischen Daten durch. Eine Missachtung der unten aufgeführten Anweisungen kann zu einem elektrischen Schlag, Brand und/oder schweren Verletzungen führen.

Bewahren Sie alle Warnungen und Anweisungen für spätere Bezugnahme auf.

Der Ausdruck „Elektrowerkzeug“ in den Warnhinweisen bezieht sich auf Ihr mit Netzstrom (mit Kabel) oder Akku (ohne Kabel) betriebenes Elektrowerkzeug.

Sicherheitsanweisungen für Tischkreissägen

Auf Schutzvorrichtungen bezogene Warnungen

- 1. Unterlassen Sie das Abmontieren von Schutzvorrichtungen.** Schutzvorrichtungen müssen betriebsfähig und ordnungsgemäß montiert sein. Eine lockere, beschädigte oder nicht korrekt funktionierende Schutzvorrichtung muss repariert oder ausgetauscht werden.
- 2. Vergewissern Sie sich vor dem Einschalten des Werkzeugs, dass das Sägeblatt nicht die Schutzvorrichtung, den Spaltkeil oder das Werkstück berührt.** Unbeabsichtigter Kontakt dieser Gegenstände mit dem Sägeblatt könnte einen gefährlichen Zustand herbeiführen.
- 3. Stellen Sie den Spaltkeil gemäß der Beschreibung in dieser Betriebsanleitung ein.** Falscher Abstand sowie falsche Positionierung und Ausrichtung können die Rückschlagverhütungsfunktion des Spaltkeils unwirksam machen.
- 4. Damit der Spaltkeil und die Rückschlagsicherungsklaue ihre Aufgabe erfüllen, müssen sie in das Werkstück eingreifen.** Der Spaltkeil und die Rückschlagsicherungsklaue sind unwirksam, wenn Werkstücke geschnitten werden, die zu kurz sind, um von dem Spaltkeil und den Rückschlagsicherungsklaue erfasst zu werden. Unter diesen Bedingungen kann Rückschlag nicht durch den Spaltkeil und die Rückschlagsicherungsklaue verhindert werden.
- 5. Verwenden Sie ein geeignetes Sägeblatt für den Spaltkeil.** Damit der Spaltkeil seine Aufgabe erfüllen kann, muss der Sägeblattdurchmesser auf den geeigneten Spaltkeil abgestimmt sein, der Sägeblattkörper muss dünner als die Dicke des Spaltkeils sein, und die Schnittbreite des Sägeblatts muss breiter als die Dicke des Spaltkeils sein.

Warnungen für Schneidverfahren

- 1. ⚠️ GEFAHR: Halten Sie niemals Ihre Finger oder Hände in die Nähe oder in einer Linie mit dem Sägeblatt.** Ein Augenblick der Unachtsamkeit oder ein Ausrutscher könnte Ihre Hand in Richtung des Sägeblatts führen und zu schweren Personenschäden führen.
- 2. Schieben Sie das Werkstück nur entgegen der Drehrichtung in das Sägeblatt hinein.** Wird das Werkstück in dieselbe Richtung geschoben, in der sich das Sägeblatt über dem Tisch dreht, besteht die Gefahr, dass das Werkstück und Ihre Hand in das Sägeblatt hineingezogen werden.
- 3. Verwenden Sie beim Längssägen niemals den Gehrungsanschlag zum Vorschieben des Werkstücks, und verwenden Sie den Parallelanschlag nicht als Längensschlag, wenn Sie Querschnitte mit dem Gehrungsanschlag durchführen.** Führen des Werkstücks mit Parallelanschlag und Gehrungsanschlag gleichzeitig erhöht die Wahrscheinlichkeit von Klemmen des Sägeblatts und Rückschlag.
- 4. Setzen Sie beim Längssägen die Werkstück-Vorschubkraft immer zwischen Anschlag und Sägeblatt an. Verwenden Sie einen Schiebstock, wenn der Abstand zwischen Anschlag und Sägeblatt kleiner als 150 mm ist, und einen Schiebeklotz, wenn dieser Abstand kleiner als 50 mm ist.** „Arbeitshilfe“-Vorrichtungen halten Ihre Hand in sicherem Abstand vom Sägeblatt.
- 5. Verwenden Sie nur den vom Hersteller mitgelieferten Schiebstock, oder einen, der im Einklang mit den Anweisungen konstruiert wurde.** Dieser Schiebstock hält die Hand in ausreichendem Abstand vom Sägeblatt.
- 6. Verwenden Sie niemals einen beschädigten oder angeschnittenen Schiebstock.** Ein beschädigter Schiebstock kann brechen, so dass Ihre Hand in das Sägeblatt rutschen kann.
- 7. Führen Sie keine „freihändigen“ Arbeiten aus. Verwenden Sie immer entweder den Parallelanschlag oder den Gehrungsanschlag zum Positionieren und Führen des Werkstücks.** Mit „freihändig“ ist die Verwendung nur der Hände anstelle eines Parallelanschlags oder Gehrungsanschlags zum Halten oder Führen des Werkstücks gemeint. Freihändiges Sägen führt zu Fehlaustrichtung, Klemmen und Rückschlag.
- 8. Strecken Sie Ihre Hand niemals um oder über ein rotierendes Sägeblatt aus.** Greifen nach einem Werkstück kann zu versehentlichem Kontakt mit dem rotierenden Sägeblatt führen.
- 9. Sorgen Sie für zusätzliche Werkstückauflage auf der Rückseite und/oder den Seiten des Sägeblatts für lange und/oder breite Werkstücke, um sie waagrecht zu halten.** Ein langes und/oder breites Werkstück neigt dazu, auf der Tischkante zu kippen, was zu Verlust der Kontrolle, Klemmen des Sägeblatts und Rückschlag führt.
- 10. Schieben Sie das Werkstück mit gleichmäßiger Geschwindigkeit vor. Unterlassen Sie Biegen oder Verdrehen des Werkstücks. Falls eine Blockierung auftritt, schalten Sie das Werkzeug unverzüglich aus, ziehen Sie den Netzstecker ab, und beseitigen Sie dann die Blockierung.** Blockieren des Sägeblatts durch das Werkstück kann Rückschlag oder Abwürgen des Motors verursachen.

11. **Entfernen Sie Stücke von abgesägtem Material nicht, während die Säge läuft.** Das Material kann zwischen dem Anschlag und dem Sägeblatt oder der Innenseite der Sägeblattschutzhaube eingeklemmt werden und Ihre Finger in das Sägeblatt hineinziehen. Schalten Sie die Säge aus, und warten Sie, bis das Sägeblatt zum Stillstand kommt, bevor Sie Material entfernen.
12. **Verwenden Sie einen Hilfsanschlag in Kontakt mit der Tischplatte, wenn Sie Werkstücke von weniger als 2 mm Dicke längs sägen.** Ein dünnes Werkstück kann sich unter dem Parallelanschlag verkeilen und einen Rückschlag erzeugen.
7. **Lassen Sie besondere Vorsicht walten, wenn Sie ein Werkstück schneiden, das verdreht, verästelt oder verzogen ist oder keine gerade Kante hat, um es mit einem Gehrungsanschlag oder entlang dem Anschlag zu führen.** Ein verzogenes, verästeltes oder verdrehtes Werkstück ist instabil und verursacht Fehlausrichtung der Schnittfuge mit dem Sägeblatt, Klemmen und Rückschlag.
8. **Schneiden Sie niemals mehrere Werkstücke, die vertikal oder horizontal gestapelt sind.** Das Sägeblatt könnte ein oder mehrere Stücke aufnehmen und Rückschlag verursachen.
9. **Wenn Sie die Säge mit dem Sägeblatt im Werkstück wieder einschalten, zentrieren Sie das Sägeblatt im Sägeschlitz, und vergewissern Sie sich, dass die Sägezähne nicht mit dem Werkstück im Eingriff sind.** Falls das Sägeblatt klemmt, kann es das Werkstück beim Wiedereinschalten der Säge anheben und Rückschlag verursachen.

Rückschlagursachen und damit zusammenhängende Warnungen

Rückschlag ist eine plötzliche Reaktion des Werkstücks aufgrund eines eingeklemmten, blockierten Sägeblatts oder einer falsch ausgerichteten Schnittlinie im Werkstück in Bezug auf das Sägeblatt, oder wenn ein Teil des Werkstücks zwischen dem Sägeblatt und dem Parallelanschlag oder einem anderen feststehenden Objekt eingeklemmt wird.

Am häufigsten wird das Werkstück bei einem Rückschlag durch den hinteren Teil des Sägeblatts vom Tisch angehoben und auf den Bediener zu geschleudert.

Rückschlag ist das Resultat falscher Handhabung der Säge und/oder falscher Arbeitsverfahren oder -bedingungen und kann durch Anwendung der nachstehenden Vorsichtsmaßnahmen vermieden werden.

1. **Stehen Sie niemals direkt in einer Linie mit dem Sägeblatt. Positionieren Sie Ihren Körper immer auf der selben Seite des Sägeblatts wie der Anschlag.** Durch Rückschlag kann das Werkstück mit hoher Geschwindigkeit gegen eine Person geschleudert werden, die vor dem Sägeblatt oder in einer Linie mit dem Sägeblatt steht.
2. **Strecken Sie Ihre Hand niemals über das Sägeblatt oder zur Rückseite des Sägeblatts aus, um das Werkstück zu ziehen oder abzustützen.** Es kann zu versehentlichem Kontakt mit dem Sägeblatt kommen, oder durch Rückschlag können Ihre Finger in das Sägeblatt hineingezogen werden.
3. **Versuchen Sie niemals, das abgeschnittene Werkstück gegen das rotierende Sägeblatt zu halten und zu drücken.** Wird das abgeschnittene Werkstück gegen das Sägeblatt gedrückt, entsteht ein Klemmzustand und Rückschlag.
4. **Richten Sie den Anschlag parallel zum Sägeblatt aus.** Ein falsch ausgerichteter Anschlag klemmt das Werkstück gegen das Sägeblatt und erzeugt Rückschlag.
5. **Lassen Sie besondere Vorsicht walten, wenn Sie einen Schnitt in blinde Bereiche von zusammengebauten Werkstücken machen.** Das vorstehende Sägeblatt kann Objekte durchschneiden, die Rückschlag verursachen können.
6. **Stützen Sie große Platten ab, um die Gefahr von Klemmen und Rückschlagen des Sägeblatts auf ein Minimum zu reduzieren.** Große Platten neigen dazu, unter ihrem Eigengewicht durchzuhängen. Stützen müssen unter alle von der Tischplatte überhängende Teile der Platte platziert werden.

10. **Halten Sie Sägeblätter sauber, scharf und mit ausreichender Eindringtiefe. Verwenden Sie niemals verzogene Sägeblätter oder Sägeblätter mit gerissenen oder gebrochenen Zähnen.** Scharfe und ordnungsgemäß eingestellte Sägeblätter minimieren Klemmen, Abwürgen und Rückschlag.

Warnungen für Tischkreissägen-Betriebsverfahren

1. **Schalten Sie die Tischkreissäge aus, und ziehen Sie das Netzkabel ab, wenn Sie den Tischplatteneinsatz entfernen, das Sägeblatt wechseln oder Einstellungen an Spaltkeil, Rückschlagsicherungsklaue oder Sägeblattschutzhaube vornehmen, und wenn Sie die Maschine unbeaufsichtigt lassen.** Vorsichtsmaßnahmen helfen Unfälle zu vermeiden.
2. **Lassen Sie die Tischkreissäge niemals unbeaufsichtigt laufen. Schalten Sie das Werkzeug aus, und verlassen Sie es erst, nachdem es zu einem vollständigen Stillstand gekommen ist.** Eine unbeaufsichtigt laufende Säge ist eine unkontrollierte Gefahrenquelle.
3. **Stellen Sie die Tischkreissäge an einem gut beleuchteten und ebenen Platz auf, der einen sicheren Stand und gutes Gleichgewicht gewährleistet. Sie sollte in einem Bereich installiert werden, der genügend Raum bietet, um die Größe Ihres Werkstücks bequem zu handhaben.** Beengte, dunkle Bereiche und unebene, rutschige Böden führen zu Unfällen.
4. **Säubern Sie den Bereich unter dem Sägertisch und/oder den Staubsammler häufig von Sägemehl.** Angesammeltes Sägemehl ist entflammbar und kann sich selbst entzünden.
5. **Die Tischkreissäge muss gesichert werden.** Ein Tischkreissäge, die nicht ordnungsgemäß gesichert ist, kann sich verschieben oder umkippen.
6. **Entfernen Sie Werkzeuge, Holzfälle usw. vom Tisch, bevor Sie die Tischkreissäge einschalten.** Ablenkung oder eine potenzielle Blockierung können gefährlich sein.
7. **Verwenden Sie stets Sägeblätter, deren Spindelbohrung die korrekte Größe und Form (rautenförmig oder rund) hat.** Sägeblätter, die nicht genau auf den Montageflansch der Säge passen, rotieren exzentrisch und verursachen Verlust der Kontrolle.

8. **Verwenden Sie niemals beschädigte oder falsche Sägeblatt-Befestigungsmittel, wie Flansche, Sägeblatt-Beilagscheiben, Schrauben oder Muttern.** Diese Befestigungsmittel sind speziell für Ihre Säge vorgesehen, um sicheren Betrieb und optimale Leistung zu gewährleisten.
9. **Stellen Sie sich niemals auf die Tischkreissäge, und verwenden Sie sie auch nicht als Trittschemel.** Durch Kippen des Werkzeugs oder versehentliche Berührung mit dem Schneidwerkzeug könnten ernsthafte Verletzungen auftreten.
10. **Stellen Sie sicher, dass das Sägeblatt in der korrekten Drehrichtung installiert wird. Verwenden Sie keine Schleifscheiben oder Drahtbürsten an einer Tischkreissäge.** Unsachgemäße Sägeblatt-Installation oder der Gebrauch von nicht empfohlenen Zubehörteilen kann schwere Verletzungen verursachen.

Zusätzliche Anweisungen

1. **Verwenden Sie nur Sägeblätter, die mit einer Drehzahl markiert sind, die der am Werkzeug angegebenen Drehzahl entspricht oder diese übertrifft.**
2. **Wählen Sie das korrekte Sägeblatt für das zu schneidende Material aus.**
3. **Tragen Sie Handschuhe bei der Handhabung von Sägeblättern.**
4. **Reinigen Sie die Spindel, die Flansche (besonders die Montagefläche) und die Sechskantmutter, bevor Sie das Sägeblatt montieren.** Schlechte Montage kann Vibrieren/Flattern oder Schlupf des Sägeblatts verursachen.
5. **Schneiden Sie keine Metallgegenstände, wie z. B. Nägel oder Schrauben. Untersuchen Sie das Werkstück sorgfältig auf Nägel, Schrauben und sonstige Fremdkörper, und entfernen Sie diese vor der Bearbeitung.**
6. **Erlauben Sie NIEMALS einer anderen Person, auf einer Linie mit dem Pfad des Sägeblatts zu stehen.**
7. **Lassen Sie das Werkzeug vor dem eigentlichen Schneiden eines Werkstücks eine Weile laufen. Achten Sie auf Vibrationen oder Taumelbewegungen, die Anzeichen für schlechte Montage oder ein schlecht ausgewuchtetes Sägeblatt sein können.**
8. **Das Werkzeug darf nicht für Nutenfräsen, Falzfräsen oder Auskehlen verwendet werden.**
9. **Tauschen Sie den Tischplatteneinsatz bei Verschleiß aus.**
10. **Bewahren Sie den Schiebstock stets sicher auf, wenn er nicht benutzt wird.**
11. **Schlagen Sie etwaige lose Knorren aus dem Werkstück heraus, BEVOR Sie mit dem Sägen beginnen.**
12. **Bei manchen Werkstoffen kann der beim Sägen erzeugte Staub Chemikalien enthalten, die erwiesenermaßen Krebs, Geburtsfehler oder Schäden an Fortpflanzungsorganen verursachen. Einige Beispiele solcher Chemikalien sind:**
 - **Blei in Lack mit Bleizusatz und,**
 - **Arsen und Chrom in chemisch behandeltem Bauholz.**

Ihre Gefährdung durch den Umgang mit solchen Chemikalien hängt davon ab, wie oft Sie diese Arbeiten verrichten. Um Ihre Gefährdung durch diese Chemikalien zu reduzieren: Arbeiten Sie in gut belüfteter Umgebung, und verwenden Sie geeignete Sicherheitsvorrichtungen, wie z. B. Staubmasken, die mikroskopische Teilchen herausfiltern.

13. **Vergewissern Sie sich stets, dass die Zusatzschutzhülle flach gegen den Säge Tisch heruntergeklappt ist, bevor Sie das Werkzeug ans Stromnetz anschließen.**
14. **Überprüfen Sie Verlängerungskabel regelmäßig, und tauschen Sie sie bei Beschädigung aus.**
15. **(Nur für europäische Länder) Verwenden Sie nur vom Hersteller empfohlene Sägeblätter, die der EU-Norm EN847-1 entsprechen.**

INSTALLATION

Positionierung der Tischkreissäge

- **Abb.1:** 1. Lochdurchmesser 8 mm
- **Abb.2:** 1. 6-mm-Std.-Unterlegscheibe 2. Nr. 10 Holzschraube, 40 mm min. Länge
- **Abb.3:** 1. 6-mm-Std.-Unterlegscheibe 2. 6-mm-Befestigungsschraube und Mutter fest anziehen

Stellen Sie die Tischkreissäge an einem gut beleuchteten und ebenen Platz auf, der einen sicheren Stand und gutes Gleichgewicht gewährleistet. Sie sollte in einem Bereich installiert werden, der genügend Raum bietet, um die Größe Ihrer Werkstücke bequem zu handhaben. Die Tischkreissäge ist mit vier Schrauben oder Bolzen an der Werkbank oder dem Tischkreissägenständer unter Verwendung der Löcher in der Unterseite der Tischkreissäge zu sichern. Wenn Sie die Tischkreissäge auf der Werkbank sichern, vergewissern Sie sich, dass eine Öffnung in der Oberseite der Werkbank vorhanden ist, welche die gleiche Größe wie die Öffnung in der Unterseite der Tischkreissäge hat, damit das Sägemehl hindurchfallen kann. Sollte die Tischkreissäge während des Betriebs eine Neigung zum Umkippen, Verrutschen oder Bewegungen zeigen, ist die Werkbank oder der Tischkreissägenständer am Boden zu sichern.

Aufbewahren von Zubehör

- **Abb.4:** 1. Gehrungsanschlag
- **Abb.5:** 1. Parallelschlag 2. Schiebstock 3. Rückschlagsicherungsklaue

Der Gehrungsanschlag, das Sägeblatt und Schraubenschlüssel können auf der linken Seite der Basis aufbewahrt werden. Außerdem können der Parallelschlag, der Schiebstock und die Rückschlagsicherungsklaue auf der rechten Seite der Basis aufbewahrt werden.

FUNKTIONSBESCHREIBUNG

⚠ VORSICHT: Vergewissern Sie sich vor jeder Einstellung oder Funktionsprüfung des Werkzeugs stets, dass es ausgeschaltet und vom Stromnetz getrennt ist.

Sägeblattschutzhaube

⚠ WARNUNG: Die Sägeblattschutzhaube darf auf keinen Fall funktionsunfähig gemacht oder entfernt werden. Ein wegen fehlender Schutzhaube freiliegendes Sägeblatt kann schwere Verletzungen während des Betriebs verursachen.

⚠ WARNUNG: Benutzen Sie das Werkzeug niemals mit beschädigter, defekter oder fehlender Sägeblattschutzhaube. Der Betrieb des Werkzeugs mit beschädigter, defekter oder entfernter Schutzhaube kann zu schweren Personenschäden führen.

- **Abb.6:** 1. Sägeblattschutzhaube
2. Zusatzschutzhaube

Schieben Sie das Werkstück beim Schneiden auf das Sägeblatt zu, während die Unterkante der Zusatzschutzhaube den Haupttisch berührt. Wenn das Werkstück vorgeschoben wird, gehen die Sägeblattschutzhaube und die Zusatzschutzhaube über die Kante des Werkstücks.

Im Interesse Ihrer eigenen Sicherheit sollten Sie die Sägeblattschutzhaube und die Zusatzschutzhaube stets in gutem Zustand halten. Funktionsstörungen der Sägeblattschutzhaube und Zusatzschutzhaube müssen sofort behoben werden. Vergewissern Sie sich, dass die Sägeblattschutzhaube und die Zusatzschutzhaube abgesenkt sind, und dass die Unterkante der Zusatzschutzhaube den Haupttisch berührt, wenn das Werkstück nicht vorgeschoben wird.

Wenn die transparenten Teile schmutzig werden oder so viel Sägemehl an ihnen haftet, dass das Sägeblatt und/oder Werkstück nicht mehr ohne weiteres sichtbar ist, sollten Sie das Werkzeug vom Stromnetz trennen und die transparenten Teile mit einem feuchten Tuch sorgfältig reinigen. Verwenden Sie keine Lösungsmittel oder Reinigungsmittel auf Petroleumbasis, weil die Teile dadurch beschädigt werden können. Falls sich die transparenten Teile durch Alterung oder UV-Strahlung verfärben, bestellen Sie neue Teile bei einer Makita-Kundendienststelle. SÄGEBLATTSCHUTZHAUBE UND ZUSATZSCHUTZHAUBE DÜRFEN NICHT FUNKTIONSNUNFÄHIG GEMACHT ODER ENTFERNT WERDEN.

Einstellen der Schnitttiefe

- **Abb.7:** 1. Kurbel

Die Schnitttiefe kann durch Drehen der Kurbel eingestellt werden. Drehen Sie die Kurbel im Uhrzeigersinn, um das Sägeblatt anzuheben, oder entgegen dem Uhrzeigersinn, um es abzusenken.

HINWEIS: Verwenden Sie zum Schneiden dünner Materialien eine geringe Tiefeneinstellung, um einen saubereren Schnitt zu erhalten.

Einstellen des Neigungswinkels

- **Abb.8:** 1. Sperrhebel 2. Pfeilzeiger 3. Handrad

Lösen Sie den Sperrhebel entgegen dem Uhrzeigersinn, und drehen Sie das Handrad, bis der gewünschte Winkel ($0^\circ - 45^\circ$) erreicht ist. Der Neigungswinkel wird durch den Pfeilzeiger angezeigt. Nachdem der gewünschte Winkel erreicht ist, ziehen Sie den Sperrhebel im Uhrzeigersinn fest, um die Einstellung zu sichern.

⚠ VORSICHT: Ziehen Sie den Sperrhebel nach dem Einstellen des Neigungswinkels sicher fest.

Einstellen der Festanschläge

- **Abb.9:** 1. 90° -Einstellschraube 2. 45° -Einstellschraube

- **Abb.10**

Das Werkzeug ist mit Festanschlägen bei 90° und 45° an der Tischoberfläche ausgestattet. Um die Festanschläge zu überprüfen und einzustellen, gehen Sie wie folgt vor: Bewegen Sie das Handrad so weit wie möglich durch Drehen. Prüfen Sie mit einem Einstelldreieck auf dem Tisch, ob das Sägeblatt in einem Winkel von 90° oder 45° zur Tischoberfläche steht. Falls sich das Sägeblatt an dem in Abb. A gezeigten Winkel befindet, drehen Sie die Einstellschrauben im Uhrzeigersinn; falls es sich an dem in Abb. B gezeigten Winkel befindet, drehen Sie die Einstellschrauben entgegen dem Uhrzeigersinn, um die Festanschläge einzustellen. Stellen Sie das Sägeblatt nach dem Einstellen der Festanschläge auf 90° zur Tischoberfläche ein. Stellen Sie dann den Pfeilzeiger so ein, dass seine rechte Kante auf den 0° -Skalenstrich ausgerichtet ist.

- **Abb.11:** 1. Pfeilzeiger

Schalterfunktion

- **Abb.12:** 1. Schalter

⚠ VORSICHT: Vergewissern Sie sich vor dem Betrieb, dass sich das Werkzeug einwandfrei ein- und ausschalten lässt.

Drücken Sie zum Einschalten des Werkzeugs den Einschaltknopf (I).

Drücken Sie zum Ausschalten den Ausschaltknopf (O).

Zusatzanschlag (Parallelanschlag)

- **Abb.13:** 1. Klemmschraube 2. Parallelanschlag 3. Zusatzanschlag 4. Schiene

Falls der Parallelanschlag nahe an das Sägeblatt kommt, stützen Sie das Werkstück mit dem Zusatzanschlag ab. Lösen Sie die Klemmschraube, und ziehen Sie den Zusatzanschlag von der Schiene ab. Bringen Sie den Zusatzanschlag wie abgebildet an, und ziehen Sie die Klemmschrauben fest.

Wenn der Parallelanschlag auf der linken Seite des Sägeblatts angebracht ist, wechseln Sie die Position des Zusatzanschlags. Entfernen Sie die Klemmschrauben, den Zusatzanschlag und die Schiene vom Parallelanschlag. Befestigen Sie die Schiene mit den entfernten Klemmschrauben provisorisch auf der rechten Seite des Parallelanschlags. Befestigen Sie danach den Zusatzanschlag, und ziehen Sie die Klemmschrauben fest.

- **Abb.14:** 1. Parallelanschlag 2. Zusatzanschlag 3. Klemmschraube 4. Schiene

Zusatztisch (R)

- **Abb.15:** 1. Hebel
► **Abb.16:** 1. Zusatztisch (R)

Dieses Werkzeug ist mit einem Zusatztisch (R) auf der rechten Seite des Haupttisches ausgestattet. Um den Zusatztisch (R) zu benutzen, heben Sie beide Hebel an der rechten Vorderseite an, ziehen Sie den Tisch (R) vollständig aus, und senken Sie dann die Hebel zum Sichern ab. Wenn Sie den Zusatztisch (R) benutzen, fixieren Sie die Skalenplatte am Zusatztisch, nachdem Sie die daran befindliche Schraube mit einem Schraubendreher gelöst haben, so dass sie mit der Skalenplatte am Haupttisch bündig wird.

- **Abb.17:** 1. Skalenplatte 2. Schraube

Zusatztisch (Rückseite)

Sonderzubehör

- **Abb.18:** 1. Zusatztisch (Rückseite) 2. Schraube

Um den Zusatztisch (Rückseite) zu benutzen, lösen Sie die Schrauben auf der linken und rechten Seite unter dem Tisch, und ziehen Sie ihn nach hinten auf die gewünschte Länge aus. Ziehen Sie die Schrauben an der gewünschten Länge fest.

HINWEIS: Wenn Sie den Zusatztisch (Rückseite) während des Gebrauchs des Parallelenschlags benutzen wollen, ziehen Sie den Zusatztisch (Rückseite) mehr als 50 mm heraus, so dass er nicht gegen die Oberseite des Parallelenschlags stößt.

Zusatztisch (L)

Sonderzubehör

- **Abb.19:** 1. Schraube 2. Zusatztisch (L)

Der Zusatztisch (L) (Sonderzubehör) kann auf der linken Seite des Tisches installiert werden, um eine breitere Fläche zu erhalten.

Rückschlagsicherungsklauen

⚠️ WARNUNG: Benutzen Sie die Rückschlagsicherungsklauen nach Möglichkeit während der Durchschneidarbeiten. Dadurch soll verhindert werden, dass das Material während einer Rückschlagsituation nach vorn auf den Bediener zu gedrückt wird, was zu schweren Personenschäden führen kann.

- **Abb.20:** 1. Rückschlagsicherungsklaue 2. Klemme

Um die Rückschlagsicherungsklauen vom Werkzeug zu entfernen, lösen Sie die Klemme an der Wurzel der Rückschlagsicherungsklauen, und ziehen Sie sie heraus. Zum Installieren wenden Sie das Demontageverfahren umgekehrt an.

MONTAGE

⚠️ VORSICHT: Vergewissern Sie sich vor der Ausführung von Arbeiten am Werkzeug stets, dass es ausgeschaltet und vom Stromnetz getrennt ist.

Montieren und Demontieren des Sägeblatts

⚠️ VORSICHT: Vergewissern Sie sich vor der Montage oder Demontage des Sägeblatts stets, dass das Werkzeug ausgeschaltet und vom Stromnetz getrennt ist.

⚠️ VORSICHT: Verwenden Sie nur den mitgelieferten Makita-Schraubenschlüssel zum Montieren und Demontieren des Sägeblatts. Anderenfalls besteht die Gefahr, dass die Sechskantschraube zu fest oder unzureichend angezogen wird. Dies könnte zu einer Verletzung führen.

⚠️ VORSICHT: Verwenden Sie das folgende Sägeblatt. Verwenden Sie keine Sägeblätter, die nicht den in dieser Anleitung angegebenen Kenndaten entsprechen.

Durchmesser	Sägeblattdicke	Schnittfuge
260 mm	Weniger als 1,9 mm	Mehr als 2,1 mm

- Lösen Sie die Schraube am Tischplatteneinsatz, und nehmen Sie ihn ab.
- Halten Sie den Außenflansch mit dem gekröpften Schraubenschlüssel, und lösen Sie die Sechskantmutter mit dem Schraubenschlüssel entgegen dem Uhrzeigersinn. Entfernen Sie dann den Außenflansch.
► **Abb.21:** 1. Gekröpfter Schraubenschlüssel
2. Sechskantmutter 3. Schraubenschlüssel
- Montieren Sie Innenflansch, Ring, Sägeblatt, Außenflansch und Sechskantmutter an der Spindel, wobei Sie darauf achten, dass die Zähne des Sägeblatts an der Vorderseite des Tisches nach unten gerichtet sind. Installieren Sie die Sechskantmutter immer mit der ausgesparten Seite zum Außenflansch gerichtet.
► **Abb.22:** 1. Innenflansch 2. Ring 3. Sägeblatt
4. Außenflansch 5. Sechskantmutter

⚠️ VORSICHT: Vergewissern Sie sich, dass das Sägeblatt so installiert ist, dass die Zähne in Schnittrichtung (Drehrichtung) ausgerichtet sind.

⚠️ VORSICHT: Überprüfen Sie den Spindelbohrungsdurchmesser des Sägeblatts, bevor Sie das Sägeblatt installieren. Verwenden Sie immer den korrekten Ring für die Spindelbohrung des zu benutzenden Sägeblatts. Die Größe des (der) mitgelieferten Rings (Ringe) ist je nach Land unterschiedlich.

- Für ein Werkzeug, dessen Sägeblatt einen Bohrungsdurchmesser von 30 mm hat, ist ein Ring mit 30 mm Außendurchmesser im Lieferumfang enthalten.
- Für ein Werkzeug, dessen Sägeblatt einen Bohrungsdurchmesser von 25,4 mm hat, sind silberne und schwarze Ringe im Lieferumfang enthalten. Verwenden Sie den silbernen Ring für ein Sägeblatt mit einem Bohrungsdurchmesser von 25,4 mm, und den schwarzen Ring für ein Sägeblatt mit einem Bohrungsdurchmesser von 25 mm.

4. Um das Sägeblatt zu sichern, halten Sie den Außenflansch mit dem gekröpften Schraubenschlüssel, und ziehen Sie dann die Sechskantmutter mit dem Schraubenschlüssel im Uhrzeigersinn fest. DIE SECHSKANTMUTTER SICHER FESTZIEHEN.

► **Abb.23:** 1. Gekröpfter Schraubenschlüssel
2. Schraubenschlüssel

⚠ VORSICHT: Halten Sie die Flanschoberfläche frei von Schmutz und anderen anhaften- den Substanzen; anderenfalls könnte es zu Durchrutschen des Sägeblatts kommen.

⚠ VORSICHT: Halten Sie die Sechskantmutter unbedingt sorgfältig mit dem Schraubenschlüssel fest. Sollte Ihr Griff abrutschen, kann sich der Schraubenschlüssel von der Sechskantmutter lösen, und Ihre Hand könnte gegen die scharfen Sägeblattkanten stoßen.

5. Befestigen Sie den Tischplatteneinsatz mit der Schraube.

Einstellen des Spaltkeils

⚠ VORSICHT: Falls Sägeblatt und Spaltkeil nicht einwandfrei fluchten, kann es während des Betriebs zu einer gefährlichen Klemmwirkung kommen. Vergewissern Sie sich daher, dass sie korrekt ausgerichtet sind. Wird das Werkzeug mit falsch ausgerichtetem Spaltkeil benutzt, kann es zu schweren Personenschäden kommen.

⚠ VORSICHT: Führen Sie NIEMALS Einstellungen bei laufendem Werkzeug durch. Trennen Sie das Werkzeug vom Stromnetz, bevor Sie irgend welche Einstellungen durchführen.

⚠ VORSICHT: Der Spaltkeil darf nicht entfernt werden.

► **Abb.24:** 1. Sägeblattschutzhaube 2. Spaltkeil
3. Schraube

Die Position des Spaltkeils ist werksseitig so eingestellt worden, dass sich Sägeblatt und Spaltkeil auf einer geraden Linie befinden. Die Position muss jedoch eingestellt werden, falls sich Sägeblatt und Spaltkeil nicht auf einer geraden Linie befinden.

Lösen Sie die Schraube am Tischplatteneinsatz, und entfernen Sie ihn vom Haupttisch. Lösen Sie die Sechskantschrauben (B), und stellen Sie den Montageteil (Stütze) der Sägeblattschutzhaube so ein, dass der Spaltkeil direkt hinter dem Sägeblatt liegt. Ziehen Sie dann die Sechskantschrauben (B) an, um die Stütze zu sichern, und setzen Sie den Tischplatteneinsatz wieder ein.

► **Abb.25:** 1. Sägeblatt 2. Diese beiden Abstände müssen gleich sein.
3. Spaltkeil 4. Sechskantschrauben (B)
5. Sechskantschrauben (A)

Es muss ein Abstand von etwa 4 - 5 mm zwischen dem Spaltkeil und den Sägeblattzähnen vorhanden sein. Lösen Sie die Sechskantschrauben (A), stellen Sie den Spaltkeil entsprechend ein, und ziehen Sie die Sechskantschrauben (A) fest. Befestigen Sie den Tischplatteneinsatz mit der Schraube am Tisch, und prüfen Sie dann nach, ob die Sägeblattschutzhaube sich reibungslos bewegt, bevor Sie mit dem Schneiden beginnen.

► **Abb.26:** 1. Spaltkeil 2. Blattschutz 3. 4 mm - 5mm Abstand

Installieren und Einstellen des Parallelenschlags

► **Abb.27:** 1. Haken 2. Knopf 3. Führungsschiene

1. Passen Sie den Haken an der Spitze des Parallelenschlags in die hintere Führungsschiene am Tisch oder Zusatzisch (R) ein, installieren Sie den Parallelenschlag, und schieben Sie ihn nach vorn, so dass der Anschlaghalter mit der am nächsten gelegenen Führungsschiene in Eingriff kommt.

2. Um den Parallelenschlag auf der Führungsschiene seitwärts zu schieben, ziehen Sie den Knopf am Anschlaghalter vollständig zurück, ohne den Hebel am Knopf zu ziehen.

Um den Parallelenschlag zu sichern, schwenken Sie den Knopf am Anschlaghalter vollständig.

3. Um den Parallelenschlag zu entfernen, ziehen Sie den Hebel am Knopf, und schwenken Sie den Knopf vollständig nach vorn, während Sie den Hebel ziehen.

Um zu prüfen, ob der Parallelenschlag parallel zum Sägeblatt ist, sichern Sie den Parallelenschlag 2 - 3 mm vom Sägeblatt. Heben Sie das Sägeblatt bis auf die maximale Höhe an. Markieren Sie einen der Sägeblattzähne mit einem Buntstift. Messen Sie die Abstände (A) und (B) zwischen Parallelenschlag und Sägeblatt. Verwenden Sie für beide Messungen den mit dem Farbstift markierten Zahn. Diese beiden Messungen müssen identisch sein. Ist der Parallelenschlag nicht parallel zum Sägeblatt, gehen Sie wie folgt vor:

► **Abb.28:** 1. Skala

1. Bringen Sie den Parallelenschlag in die Schiebebeziehung.

2. Lösen Sie die zwei Sechskantschrauben am Parallelenschlag mit dem mitgelieferten Inbusschlüssel.

► **Abb.29:** 1. Sechskantschrauben

3. Stellen Sie den Parallelenschlag ein, bis er parallel zum Sägeblatt ist.

4. Schwenken Sie den Knopf am Parallelenschlag nach unten auf den Bediener zu.

5. Ziehen Sie die zwei Sechskantschrauben am Parallelenschlag fest.

► **Abb.30**

⚠ VORSICHT: Stellen Sie den Parallelenschlag unbedingt parallel zum Sägeblatt ein, weil sonst eine gefährliche Rückschlagsituation eintreten kann.

Wenn der Parallelenschlag nicht fest gesichert werden kann, stellen Sie ihn nach dem folgenden Verfahren ein.

1. Setzen Sie den Parallelenschlag auf den Tisch, und schwenken Sie dann den Knopf bis zur Hälfte seines Weges (bewegliche Stellung). Ziehen Sie die Schraube (A) so weit an, bis der Parallelenschlag bewegungsunfähig ist. Lösen Sie sie dann um 1/4 bis 1/2 Drehung.

► **Abb.31:** 1. Parallelenschlag 2. Gelöste Stellung 3. Bewegliche Stellung
4. Verriegelungsstellung

► **Abb.32:** 1. Parallelenschlag 2. Bewegliche Stellung
3. Schraube (B) 4. Schraube (A)

2. Ziehen Sie die Schraube (B) vollständig fest, und lösen Sie sie dann um 2 volle Umdrehungen.

3. Verriegeln Sie den Parallelenschlag, indem Sie den Knopf am Anschlaghalter vollständig schwenken (Verriegelungsstellung).

4. Vergewissern Sie sich, dass der Parallelanschlag in der ursprünglichen Stellung (gelöste Stellung) installiert und entfernt werden kann.

5. Vergewissern Sie sich, dass der Parallelanschlag reibungslos und ohne Wobbeln verschoben werden kann, wenn sich der Knopf in der Zwischenstellung befindet.

ANMERKUNG: Achten Sie darauf, dass Sie Schrauben nicht mit einem stärkeren Anzugsmoment anziehen, als in den obigen Anweisungen angegeben. Anderenfalls können die Befestigungselemente beschädigt werden.

Bringen Sie den Parallelanschlag bündig gegen die Seite des Sägeblatts. Vergewissern Sie sich, dass die Richtlinie am Anschlaghalter auf den Skalenstrich 0 zeigt. Falls die Richtlinie nicht auf den Skalenstrich 0 zeigt, lösen Sie die Schraube an der Skalenplatte, und stellen Sie die Skalenplatte ein.

► **Abb.33:** 1. Richtlinie 2. Schrauben

Anschließen des Sauggeräts

Um sauberer zu arbeiten, schließen Sie das Werkzeug an ein Makita-Sauggerät oder einen Staubsammler an.

► **Abb.34**

BETRIEB

⚠ VORSICHT: Verwenden Sie stets „Arbeitshilfen“, wie z. B. Schiebestöcke und Schiebeklötze, wenn die Gefahr besteht, dass Sie mit den Händen oder Fingern in die Nähe des Sägeblatts kommen.

⚠ VORSICHT: Sichern Sie das Werkstück stets einwandfrei auf dem Tisch und mit dem Parallelanschlag oder Gehrungsanschlag. Unterlassen Sie Biegen oder Verdrehen des Werkstücks während des Vorschubs. Wird das Werkstück gebogen oder verdreht, können gefährliche Rückschläge auftreten.

⚠ VORSICHT: Entnehmen Sie das Werkstück NIEMALS bei rotierendem Sägeblatt. Wenn Sie das Werkstück vor der Vollendung eines Schnitts entnehmen müssen, schalten Sie zuerst das Werkzeug aus, während Sie das Werkstück festhalten. Warten Sie, bis das Sägeblatt zum vollkommenen Stillstand gekommen ist, bevor Sie das Werkstück entnehmen. Anderenfalls kann es zu gefährlichen Rückschlägen kommen.

⚠ VORSICHT: Entfernen Sie abgesägtes Material NIEMALS bei rotierendem Sägeblatt.

⚠ VORSICHT: Halten Sie NIEMALS Ihre Hände oder Finger in den Weg des Sägeblatts. Lassen Sie bei Neigungsschnitten besondere Vorsicht walten.

⚠ VORSICHT: Sichern Sie den Parallelanschlag stets einwandfrei, weil es sonst zu gefährlichen Rückschlägen kommen kann.

⚠ VORSICHT: Verwenden Sie stets „Arbeitshilfen“, wie z. B. Schiebestöcke und Schiebeklötze zum Schneiden kleiner oder schmaler Werkstücke.

Arbeitshilfen

Schiebestöcke, Schiebeklötze oder Hilfsanschläge sind „Arbeitshilfen“. Verwenden Sie diese, um sichere, saubere Schnitte auszuführen und zu verhüten, dass Sie mit irgendeinem Körperteil das Sägeblatt berühren.

Schiebeklotz

► **Abb.35:** 1. Seitenfläche/Kante parallel 2. Handgriff 3. Holzschraube 4. Zusammenleimen

Verwenden Sie ein 19 mm dickes Sperrholzstück. Der Handgriff muss in der Mitte des Sperrholzstücks liegen. Befestigen Sie ihn mit Leim und Holzschrauben, wie gezeigt. Ein kleines Holzstück von 9,5 mm x 8 mm x 50 mm muss immer an das Sperrholz angeleimt werden, um Abstumpfen des Sägeblatts zu verhüten, falls die Bedienungsperson versehentlich in den Schiebeklotz schneidet. (Niemals Nägel im Schiebeklotz verwenden.)

Hilfsanschlag

► **Abb.36:** 1. Seitenfläche/Kante parallel

Fertigen Sie einen Hilfsanschlag aus 9,5 mm und 19 mm dicken Sperrholzstücken an.

Längssägen

⚠ VORSICHT: Entfernen Sie zum Längssägen den Gehrungsanschlag vom Tisch.

⚠ VORSICHT: Wenn Sie lange oder große Werkstücke sägen, sorgen Sie stets für angemessene Abstützung hinter dem Tisch. Achten Sie darauf, dass sich ein langes Brett NICHT auf dem Tisch bewegt oder verschiebt. Dies führt zu Klemmen des Sägeblatts und erhöht die Wahrscheinlichkeit von Rückschlägen und Personenschäden. Die Stütze sollte die gleiche Höhe wie der Tisch haben.

⚠ VORSICHT: Führen Sie kein schräges Längssägen auf der Neigungsseite des Sägeblatts durch.

1. Stellen Sie die Schnitttiefe etwas größer als die Dicke des Werkstücks ein.

► **Abb.37**

2. Stellen Sie den Parallelanschlag auf die gewünschte Längsschnittbreite ein, und verriegeln Sie ihn durch Schwenken des Knopfes. Vergewissern Sie sich vor dem Längssägen, dass das hintere Ende des Parallelanschlags fest gesichert ist. Ist es nicht ausreichend gesichert, wenden Sie die Verfahren in dem Abschnitt mit dem Titel „Installieren und Einstellen des Parallelanschlags“ an.

3. Schalten Sie das Werkzeug ein, und schieben Sie das Werkstück entlang dem Parallelanschlag sachte gegen das Sägeblatt.

Wenn die Längsschnittbreite 150 mm oder mehr beträgt, schieben Sie das Werkstück vorsichtig mit Ihrer rechten Hand vor. Halten Sie das Werkstück mit Ihrer linken Hand gegen den Parallelanschlag gedrückt.

► **Abb.38**

Wenn die Längsschnittbreite 65 mm - 150 mm beträgt, verwenden Sie einen Schiebstock für den Vorschub des Werkstücks.

► **Abb.39:** 1. Schiebstock

Wenn die Längsschnittbreite kleiner als 65 mm ist, kann der Schiebstock nicht verwendet werden, weil er mit der Sägeblattschutzhaube in Berührung kommt. Verwenden Sie einen Hilfsanschlag und einen Schiebeklotz. Befestigen Sie den Hilfsanschlag mit zwei „C“-Klammern am Parallelanschlag.

Schieben Sie das Werkstück von Hand vor, bis die Vorderkante etwa 25 mm von der Vorderkante des Tisches entfernt ist.

► **Abb.40**

Schieben Sie das Werkstück mit Hilfe des Schiebeklotzes auf der Oberseite des Hilfsanschlags weiter vor, bis der Schnitt vollendet ist.

► **Abb.41:** 1. Schiebeklotz 2. Hilfsanschlag

Querschnitt

⚠ VORSICHT: Entfernen Sie für Querschnitte den Parallelanschlag vom Tisch.

⚠ VORSICHT: Wenn Sie lange oder große Werkstücke sägen, sorgen Sie stets für angemessene Abstützung auf den Tischseiten. Die Stütze sollte die gleiche Höhe wie der Tisch haben.

⚠ VORSICHT: Halten Sie stets Ihre Hände von der Schnittlinie des Sägeblatts fern.

Gehrungsanschlag

► **Abb.42:** 1. Querschnitt 2. Gehrungsschnitt
3. Neigungsschnitt 4. Compound-Gehrungsschnitt (Winkel)

Verwenden Sie den Gehrungsanschlag für die in der Abbildung gezeigten 4 Schnittarten.

⚠ VORSICHT: Ziehen Sie den Knopf des Gehrungsanschlags sorgfältig an.

⚠ VORSICHT: Vermeiden Sie Kriechen von Werkstück und Lehre durch eine feste Werkstückeinspannung, insbesondere beim Schneiden im Winkel.

⚠ VORSICHT: Halten oder greifen Sie NIEMALS den vorgesehenen „Abschneideteil“ des Werkstücks.

⚠ VORSICHT: Achten Sie stets darauf, dass der Abstand zwischen dem Ende des Gehrungsanschlags und dem Sägeblatt 15 mm nicht überschreitet.

Gehrungsanschlag-Festanschlag

► **Abb.43:** 1. Schraube für Festanschlag 2. Kleine Platte 3. Knopf

Für schnelles Einstellen von Gehrungswinkeln ist der Gehrungsanschlag mit Festanschlägen bei rechten und linken Gehrungswinkeln von 90° und 45° versehen. Um den Gehrungswinkel einzustellen, lösen Sie den Knopf am Gehrungsanschlag.

Heben Sie die kleine Platte am Gehrungsanschlag für freies Einstellen an. Drehen Sie den Gehrungsanschlag auf den gewünschten Gehrungswinkel. Stellen Sie die kleine Platte am Gehrungsanschlag auf die Ausgangsposition zurück, und ziehen Sie den Knopf im Uhrzeigersinn sicher fest.

Verwendung des Gehrungsanschlags

► **Abb.44:** 1. Nut 2. Gehrungsanschlag 3. Knopf

Schieben Sie den Gehrungsanschlag in die breiten Führungsnuten des Tisches. Lösen Sie den Knopf an der Lehre, und stellen Sie die Lehre auf den gewünschten Winkel (0° bis 60°) ein. Legen Sie das Material bündig an den Anschlag an, und schieben Sie es sachte in das Sägeblatt vor.

Zusatzlehre (Gehrungsanschlag)

► **Abb.45:** 1. Zusatzlehre

Die Zusatzlehre am Gehrungsanschlag verhindert Wobbeln des Werkstücks. Lösen Sie die Schraube am Gehrungsanschlag, und stellen Sie die Position der Zusatzlehre ein.

Tragen des Werkzeugs

► **Abb.46**

Vergewissern Sie sich, dass das Werkzeug vom Stromnetz getrennt ist.

Halten Sie das Werkzeug zum Tragen an dem in der Abbildung gezeigten Teil.

⚠ VORSICHT: Sichern Sie stets alle beweglichen Teile, bevor Sie das Werkzeug tragen.

⚠ VORSICHT: Vergewissern Sie sich vor dem Tragen des Werkzeugs, dass die Sägeblattschutzhaube und die Zusatzschutzhaube abgeseht sind, und dass die Unterkante der Zusatzschutzhaube den Haupttisch berührt.

WARTUNG

⚠ VORSICHT: Vergewissern Sie sich vor der Durchführung von Überprüfungen oder Wartungsarbeiten des Werkzeugs stets, dass es ausgeschaltet und vom Stromnetz getrennt ist.

ANMERKUNG: Verwenden Sie auf keinen Fall Benzin, Waschbenzin, Verdünnern, Alkohol oder dergleichen. Solche Mittel können Verfärbung, Verformung oder Rissbildung verursachen.

Reinigen

Beseitigen Sie Sägemehl und Späne von Zeit zu Zeit. Reinigen Sie die Sägeblattschutzhaube und die beweglichen Teile im Inneren der Tischkreissäge sorgfältig. Um das unter dem Sägeblatt angesammelte Sägemehl zu entfernen, nehmen Sie den Tischplatteneinsatz heraus, und blasen Sie das Sägemehl mit Druckluftspray aus dem Steckverbinder für ein Sauggerät aus.

Schmierung

Um die Tischkreissäge in optimalem Betriebszustand zu halten und maximale Nutzungsdauer zu gewährleisten, sollten Sie die beweglichen und rotierenden Teile von Zeit zu Zeit einölen oder einfetten.

Schmierstellen:

- Gewindewelle zum Anheben des Sägeblatts
- Scharnier zum Drehen des Rahmens
- Höhenführungswellen am Motor
- Zahnrad zum Anheben des Sägeblatts
- Führungsschienen für Parallelanschlag
- Welle der Spannhebel für Zusatztisch (R)
- Schiebeteil des Zusatztisches (R)

Auswechseln der Kohlebürsten

Überprüfen Sie die Kohlebürsten regelmäßig.

Wechseln Sie sie aus, wenn sie bis zur Verschleißgrenze abgenutzt sind. Halten Sie die Kohlebürsten stets sauber, damit sie ungehindert in den Haltern gleiten können. Beide Kohlebürsten sollten gleichzeitig ausgewechselt werden. Verwenden Sie nur identische Kohlebürsten.

► **Abb.47:** 1. Verschleißgrenze

1. Lagern Sie den Zusatztisch (R). Entfernen Sie den Parallelanschlag, wenn er gelagert wird.

2. Lösen Sie den Sperrhebel, und drehen Sie das Handrad, bis der Sägekopf auf den 45°-Neigungswinkel geneigt ist. Ziehen Sie danach den Sperrhebel fest.

► **Abb.48:** 1. Parallelanschlag 2. Sperrhebel
3. Handrad

3. Stellen Sie das Werkzeug auf seine rechte Seite.

► **Abb.49**

4. Lösen Sie die Schrauben an der Bodenplatte, und nehmen Sie diese ab.

5. Lösen Sie die Bürstenhalterkappen mit einem Schraubendreher, und entfernen Sie die abgenutzten Kohlebürsten.

► **Abb.50:** 1. Bodenplatte 2. Bürstenhalterkappe
3. Schraubendreher

6. Setzen Sie die neuen Kohlebürsten ein, und sichern Sie die Bürstenhalterkappen.

7. Befestigen Sie die Bodenplatte mit Schrauben, und legen Sie das Werkzeug vorsichtig auf seine Unterseite. Lagern Sie den Parallelanschlag, falls er abgenommen wurde.

Um die SICHERHEIT und ZUVERLÄSSIGKEIT dieses Produkts zu gewährleisten, sollten Reparaturen und andere Wartungs- oder Einstellarbeiten nur von Makita-Vertragswerkstätten oder Makita-Kundendienstzentren unter ausschließlicher Verwendung von Makita-Originalersatzteilen ausgeführt werden.

SONDERZUBEHÖR

⚠ VORSICHT: Die folgenden Zubehörteile oder Vorrichtungen werden für den Einsatz mit dem in dieser Anleitung beschriebenen Makita-Werkzeug empfohlen. Die Verwendung anderer Zubehörteile oder Vorrichtungen kann eine Verletzungsgefahr darstellen. Verwenden Sie Zubehörteile oder Vorrichtungen nur für ihren vorgesehenen Zweck.

Wenn Sie weitere Einzelheiten bezüglich dieser Zubehörteile benötigen, wenden Sie sich bitte an Ihre Makita-Kundendienststelle.

- Hartmetallbestückte Stahlsägeblätter
- Zusatztisch (L)
- Zusatztisch (Rückseite)
- Parallelanschlag
- Gehrungsanschlag
- Gekröpfter Schraubenschlüssel 13-22
- Schraubenschlüssel 19
- Inbusschlüssel 5
- Verbindungsstück (für Anschluss an Staubsammler)
- Tischkreissägeständersatz

Nehmen Sie auf die Gebrauchsanleitung für den Tischkreissägenständer Bezug, die als Sonderzubehör geliefert wird.

HINWEIS: Manche Teile in der Liste können als Standardzubehör im Werkzeugsatz enthalten sein. Sie können von Land zu Land unterschiedlich sein.

DATI TECNICI

Modello:		2704N
Foro per l'albero (Specifico in base alla nazione)		30 mm/25,4 mm
Diametro lama		260 mm
Capacità di taglio max.	a unghia di 0°	93 mm
	a unghia di 45°	64 mm
Velocità senza carico		5.200 min ⁻¹
Dimensione del banco (L x P)	con le prolunghe (D) e (posteriore)	1.045 mm x 1.066 mm (con le prolunghe aperte) 665 mm x 753 mm (con le prolunghe riposte)
	con la prolunga (D) senza la prolunga (posteriore)	567 mm x 1.066 mm (con la prolunga aperta) 567 mm x 753 mm (con la prolunga riposta)
Dimensioni (L x P x A) con la prolunga o le prolunghe chiuse	con le prolunghe (D) e (posteriore)	715 mm x 753 mm x 483 mm
	con la prolunga (D) senza la prolunga (posteriore)	665 mm x 753 mm x 483 mm
Peso netto		35,2 kg - 37,0 kg
Classe di sicurezza		▣/II

- In conseguenza del nostro programma di ricerca e sviluppo continui, i dati tecnici nel presente manuale sono soggetti a modifiche senza preavviso.
- I dati tecnici possono variare da nazione a nazione.
- Il peso può variare a seconda dell'accessorio o degli accessori. La combinazione più leggera e quella più pesante, in base alla Procedura EPTA 01/2014, sono indicate nella tabella.

Simboli

La figura seguente mostra i simboli utilizzati per l'apparecchio. Accertarsi di comprendere il loro significato prima dell'uso.



Leggere il manuale d'uso.



DOPPIO ISOLAMENTO



Indossare occhiali di sicurezza.



Non posizionare la mano o le dita in prossimità della lama.



Solo per le nazioni della UE
Non smaltire gli apparecchi elettrici insieme ai rifiuti domestici! In conformità alla Direttiva Europea sui rifiuti di apparecchiature elettriche ed elettroniche (RAEE), e alla sua implementazione in base alla legge nazionale, gli apparecchi elettrici che hanno raggiunto la fine della loro vita utile devono essere sottoposti a raccolta differenziata e conferiti a una struttura di riciclaggio ecocompatibile.

Utilizzo previsto

Questo utensile va utilizzato per eseguire tagli nel legno.

Con questo utensile è possibile realizzare tagli diritti, tagli a unghia e tagli obliqui. Questo utensile non è progettato per tagli non completi.

Alimentazione

L'utensile deve essere collegato a una fonte di alimentazione con la stessa tensione indicata sulla targhetta del nome, e può funzionare solo a corrente alternata monofase. L'utensile è dotato di doppio isolamento, per cui può essere utilizzato con prese elettriche sprovviste di messa a terra.

Rumore

Livello tipico di rumore pesato A determinato in base allo standard EN62841:

Livello di pressione sonora (L_{pA}): 94 dB (A)

Livello di potenza sonora (L_{WA}): 107 dB (A)

Incertezza (K): 3 dB (A)

⚠AVVERTIMENTO: Indossare protezioni per le orecchie.

Dichiarazione di conformità CE

Solo per i paesi europei

La dichiarazione di conformità CE è inclusa nell'Allegato A al presente manuale di istruzioni.

AVVERTENZE DI SICUREZZA

Avvertenze generali relative alla sicurezza dell'utensile elettrico

⚠️ AVVERTIMENTO: Leggere tutte le avvertenze di sicurezza, le istruzioni, le illustrazioni e i dati tecnici forniti con il presente utensile elettrico. La mancata osservanza di tutte le istruzioni elencate di seguito potrebbe risultare in scosse elettriche, incendi e/o gravi lesioni personali.

Conservare tutte le avvertenze e le istruzioni come riferimento futuro.

Il termine "utensile elettrico" nelle avvertenze si riferisce sia all'utensile elettrico (cablato) nel funzionamento alimentato da rete elettrica che all'utensile elettrico (a batteria) nel funzionamento alimentato a batteria.

Istruzioni di sicurezza relative alle seghe da banco

Avvertenze relative alle protezioni

- Tenere le protezioni installate. Le protezioni devono essere perfettamente funzionanti e montate correttamente.** Una protezione allentata, danneggiata o che non funzioni correttamente deve essere riparata o sostituita.
- Accertarsi che la lama non sia in contatto con la protezione, il coltello divisore o il pezzo in lavorazione, prima di accendere l'utensile.** Un contatto accidentale di questi oggetti con la lama potrebbe causare condizioni pericolose.
- Regolare il coltello divisore come descritto nelle presenti istruzioni per l'uso.** Una spaziatura, un posizionamento e un allineamento errati possono rendere il coltello divisore inefficace nel ridurre la probabilità di un contraccolpo.
- Affinché il coltello divisore e i denti di arresto anti-contraccolpo funzionino, devono far presa sul pezzo in lavorazione.** Il coltello divisore e i denti di arresto anti-contraccolpo sono inefficaci quando si tagliano pezzi in lavorazione che sono troppo corti per consentire al coltello divisore e ai denti di arresto anti-contraccolpo di farvi presa. In queste condizioni, non è possibile evitare un contraccolpo mediante il coltello divisore e i denti di arresto anti-contraccolpo.
- Utilizzare la lama appropriata per il coltello divisore.** Affinché il coltello divisore funzioni correttamente, il diametro della lama deve coincidere con il coltello divisore appropriato, il corpo della lama deve essere più sottile dello spessore del coltello divisore, e la larghezza di taglio della lama deve essere più ampia dello spessore del coltello divisore.

Avvertenze relative alle procedure di taglio

- ⚠️ PERICOLO: Non collocare mai le dita o le mani in prossimità o in linea con la lama.** Un attimo di disattenzione o uno scivolamento potrebbero indirizzare la mano verso la lama e risultare in gravi lesioni personali.
- Far avanzare il pezzo in lavorazione nella lama solo nel verso opposto alla direzione di rotazione.** Qualora si faccia avanzare il pezzo in lavorazione nella stessa direzione in cui sta ruotando la lama, si potrebbe causare il trascinarsi del pezzo in lavorazione e della mano dell'operatore nella lama.
- Non utilizzare mai la guida angolare per far avanzare il pezzo in lavorazione durante l'esecuzione di tagli longitudinali, e non utilizzare la guida di taglio come battuta di arresto in lunghezza quando si intende effettuare tagli trasversali con la guida angolare.** Qualora si guidi il pezzo in lavorazione contemporaneamente con la guida di taglio e la guida angolare, si incrementa la probabilità di inceppamento della lama e di contraccolpo.
- Durante i tagli longitudinali, applicare sempre la forza di avanzamento del pezzo in lavorazione tra la guida e la lama. Utilizzare una bacchetta spingipezzo quando la distanza tra la guida e la lama è inferiore a 150 mm, e utilizzare un blocco spingipezzo quando tale distanza è inferiore a 50 mm.** I dispositivi di "ausilio" nella lavorazione mantengono la mano a una distanza di sicurezza dalla lama.
- Utilizzare esclusivamente una bacchetta spingipezzo fornita dal produttore o fabbricata in conformità alle istruzioni.** Questa bacchetta spingipezzo fornisce una distanza sufficiente della mano dalla lama.
- Non utilizzare mai una bacchetta spingipezzo danneggiata o tagliata.** Una bacchetta spingipezzo danneggiata potrebbe rompersi, causando lo scivolamento della mano nella lama.
- Non eseguire alcuna operazione "a mano libera". Utilizzare sempre la guida di taglio o la guida angolare per posizionare e guidare il pezzo in lavorazione.** Con l'espressione "a mano libera" si intende utilizzare le mani per supportare o guidare il pezzo in lavorazione, anziché utilizzare una guida di taglio o una guida angolare. Segare a mano libera porta a disallineamenti, inceppamenti e contraccolpi.
- Non allungarsi mai in prossimità o al di sopra di una lama in rotazione.** Allungarsi per afferrare un pezzo in lavorazione potrebbe portare al contatto accidentale con la lama in movimento.
- Fornire un supporto aggiuntivo al pezzo in lavorazione sul lato posteriore e/o sui fianchi del banco della sega per i pezzi in lavorazione lunghi e/o larghi, per mantenerli in piano.** Un pezzo in lavorazione lungo e/o largo tende a ruotare facendo perno intorno al bordo del banco, causando perdite di controllo, inceppamenti della lama e contraccolpi.
- Far avanzare il pezzo in lavorazione a velocità costante. Non piegare né torcere il pezzo in lavorazione.** Qualora si verifichi un inceppamento, spegnere immediatamente l'utensile, scollegarlo dall'alimentazione elettrica, quindi rimuovere l'inceppamento. L'inceppamento della lama causato dal pezzo in lavorazione può causare contraccolpi o fare andare in stallo il motore.

11. **Non rimuovere pezzi di materiale troncato mentre la sega è in funzione.** Il materiale potrebbe restare intrappolato tra la guida, o l'interno della protezione lama, e la lama stessa, tirando le dita dell'utilizzatore nella lama. Spegnerla la sega e attendere che la lama si arresti, prima di rimuovere il materiale.
12. **Utilizzare una guida ausiliaria in contatto con la superficie del banco, quando si intende eseguire tagli longitudinali di pezzi in lavorazione di spessore inferiore a 2 mm.** Un pezzo in lavorazione sottile potrebbe incunearsi sotto la guida di taglio e creare un contraccolpo.
8. **Non tagliare mai pezzi multipli in lavorazione impilati verticalmente o messi in fila orizzontalmente.** In caso contrario, la lama potrebbe sollevare uno o più pezzi e causare un contraccolpo.
9. **Quando si intende riavviare la sega con la lama all'interno del pezzo in lavorazione, centrare la lama nel taglio, in modo che i denti della sega non siano a contatto con il materiale.** Qualora la lama si inceppi, potrebbe sollevare il pezzo in lavorazione e causare un contraccolpo quando la sega viene riavviata.
10. **Mantenere le lame pulite, affilate e preparate in modo appropriato. Non utilizzare mai lame deformate o lame che presentino denti fessurati o rotti.** Lame affilate e preparate in modo appropriato riducono al minimo inceppamenti, stalli e contraccolpi.

Cause dei contraccolpi e avvertenze correlate

Il contraccolpo è una reazione improvvisa del pezzo in lavorazione dovuta a una lama incastrata, inceppata, o a una linea di taglio disallineata nel pezzo in lavorazione rispetto alla lama, oppure quando una parte del pezzo in lavorazione si inceppa tra la lama e la guida di taglio o un altro oggetto fisso.

Molto spesso, durante i contraccolpi, il pezzo in lavorazione viene sollevato dal banco dalla parte posteriore della lama e viene scagliato verso l'operatore.

Il contraccolpo è il risultato di un uso improprio della sega e/o di procedure operative o di condizioni errate, e può venire evitato adottando le precauzioni corrette, come indicato di seguito.

1. **Non stare mai in piedi direttamente in linea con la lama. Posizionare sempre il proprio corpo sullo stesso lato della lama su cui si trova la guida.** Il contraccolpo potrebbe scagliare il pezzo in lavorazione ad alta velocità verso chiunque si trovi in piedi davanti alla lama e in linea con quest'ultima.
2. **Non allungarsi mai al di sopra o sul retro della lama per tirare o supportare il pezzo in lavorazione.** Potrebbe verificarsi il contatto accidentale con la lama, o un contraccolpo potrebbe trascinare le dita dell'operatore nella lama.
3. **Non mantenere e premere mai un pezzo in lavorazione che si sta troncando contro la lama in rotazione.** La pressione del pezzo in lavorazione che si sta troncando contro la lama crea una condizione di inceppamento e un contraccolpo.
4. **Allineare la guida in modo che sia parallela alla lama.** Una guida disallineata fa incastrare il pezzo in lavorazione contro la lama e crea un contraccolpo.
5. **Adottare estrema cautela quando si intende effettuare un taglio in aree cieche di pezzi in lavorazione assemblati.** La lama sporgente potrebbe tagliare oggetti che possono causare un contraccolpo.
6. **Supportare i pannelli di grandi dimensioni per ridurre al minimo il rischio che la lama si incastri e causi un contraccolpo.** I pannelli di grandi dimensioni tendono a deformarsi sotto il proprio peso. Il supporto o i supporti devono essere posizionati sotto tutte le parti del pannello che sporgono dalla superficie del banco.
7. **Adottare estrema cautela quando si intende tagliare un pezzo in lavorazione contorto, nodoso, deformato o che non abbia un bordo diritto con cui guidarlo mediante una guida angolare o lungo la guida di taglio.** Un pezzo in lavorazione contorto, nodoso o deformato è instabile, e causa il disallineamento del taglio con la lama, inceppamenti e contraccolpi.
1. **Spegnerla la sega da banco e scollegare il cavo di alimentazione quando si intende rimuovere l'inserito del banco, sostituire la lama o apportare regolazioni al coltello divisore, ai denti di arresto anti-contraccolpo o alla protezione lama, nonché quando la macchina viene lasciata incustodita.** Le misure preventive evitano gli incidenti.
2. **Non lasciare mai la sega da banco in funzione incustodita. Spegnerla e non lasciare l'utensile fino al suo arresto completo.** Una sega in funzione incustodita rappresenta un pericolo incontrollato.
3. **Collocare la sega da banco in un'area ben illuminata e in piano, in cui sia possibile mantenere un appoggio e un equilibrio ottimali. L'utensile va installato in un'area che fornisca uno spazio sufficiente a gestire facilmente le dimensioni dei pezzi in lavorazione utilizzati.** Aree anguste e buie, e pavimenti irregolari e scivolosi, facilitano gli incidenti.
4. **Pulire e rimuovere spesso la segatura dal lato inferiore del banco della sega e/o dal dispositivo di raccolta polveri.** La segatura accumulata è combustibile e potrebbe causare un'autocombustione.
5. **La sega da banco deve essere fissata.** Una sega da banco non fissata correttamente potrebbe spostarsi o ribaltarsi.
6. **Rimuovere dal banco utensili, sfridi di legno, e così via, prima di accendere la sega da banco.** Una distrazione o un possibile inceppamento potrebbero essere pericolosi.
7. **Utilizzare sempre lame con fori per l'albero di dimensioni corrette e forma appropriata (a diamante/circolare).** Lame che non corrispondano agli attacchi di montaggio della sega girano decentrate, causando la perdita di controllo.
8. **Non utilizzare mai accessori di montaggio della lama danneggiati o errati, quali flange, rondelle per lame, bulloni o dadi.** Questi accessori di montaggio sono stati progettati specificamente per la sega utilizzata, per un funzionamento sicuro e prestazioni ottimali.

Avvertenze relative alle procedure d'uso della sega da banco

9. **Non salire ma in piedi sulla sega da banco, né utilizzarla come sgabello su cui salire con il piede.** Qualora l'utensile si ribalti o si verifichi un contatto accidentale con l'utensile da taglio, si potrebbero verificare gravi lesioni personali.
10. **Accertarsi che la lama sia installata in modo da ruotare nella direzione corretta. Non utilizzare dischi per smerigliatura, spazzole in fil di ferro o mole abrasive su una sega da banco.** Un'installazione errata della lama o un utilizzo di accessori non consigliati potrebbe causare gravi lesioni personali.
13. **Accertarsi sempre che la protezione secondaria sia abbassata e in piano contro il banco della sega, prima di collegare l'utensile all'alimentazione elettrica.**
14. **Ispezionare a intervalli regolari i cavi di prolunga e sostituirli, se danneggiati.**
15. **(Solo per le nazioni europee) Utilizzare solo lame consigliate dal produttore e conformi allo standard EN847-1.**

Istruzioni aggiuntive

1. **Utilizzare solo lame che siano contrassegnate con una velocità pari o superiore a quella contrassegnata sull'utensile.**
2. **Selezionare la lama corretta in base al materiale da tagliare.**
3. **Indossare dei guanti quando si maneggiano le lame.**
4. **Pulire il mandrino, le flange (specialmente la superficie di installazione) e il dado esagonale prima di installare la lama.** Un'installazione scadente potrebbe causare vibrazioni/oscillazioni o scivolamenti della lama.
5. **Non tagliare oggetti di metallo, quali chiodi e viti. Prima di utilizzare l'utensile, ispezionare il pezzo in lavorazione e rimuovere da quest'ultimo tutti i chiodi, le viti e gli altri corpi estranei.**
6. **Non consentire MAI ad altre persone di stare in piedi in linea con il percorso della lama.**
7. **Prima di utilizzare l'utensile su un pezzo, lasciarlo funzionare per qualche momento. Accertarsi che non siano presenti vibrazioni oppure oscillazioni che potrebbero indicare un'installazione inadeguata o un bilanciamento imperfetto della lama.**
8. **L'utensile non va utilizzato per realizzare alloggiamenti (mortasare), battute o scanalature.**
9. **Sostituire l'insero del banco, se usurato.**
10. **Riporre sempre la bacchetta spingipezzo, quando non è in uso.**
11. **Espellere con dei colpi eventuali nodi allentati dal pezzo in lavorazione PRIMA di iniziare il taglio.**
12. **Alcuni tipi di polveri generate dall'utilizzo contengono sostanze chimiche che possono causare il cancro, difetti di nascita o altri danni agli organi di riproduzione. Alcuni esempi di tali sostanze chimiche sono:**
 - piombo derivante da materiale verniciato con vernici a base di piombo, nonché
 - arsenico e cromo derivanti da legname trattato chimicamente.

Il rischio derivante dall'esposizione a queste sostanze varia a seconda della frequenza di questo tipo di lavoro. Per ridurre l'esposizione a queste sostanze chimiche, lavorare in un ambiente ben ventilato utilizzando attrezzature di sicurezza certificate, ad esempio maschere antipolvere progettate specialmente per il filtraggio delle particelle microscopiche.

INSTALLAZIONE

Posizionamento della sega da banco

- **Fig.1:** 1. Diametro del foro 8 mm
- **Fig.2:** 1. Rondella normale da 6 mm 2. Vite per legno n.10 di lunghezza min. 40 mm
- **Fig.3:** 1. Rondella normale da 6 mm 2. Bullone e dado di montaggio da 6 mm, serrare saldamente

Collocare la sega da banco in un'area ben illuminata e in piano, in cui sia possibile mantenere un appoggio e un equilibrio ottimali. L'utensile va installato in un'area che lasci uno spazio sufficiente a gestire facilmente le dimensioni dei pezzi in lavorazione utilizzati. La sega da banco va fissata con quattro viti o bulloni al banco da lavoro o al supporto per sega da banco utilizzando i fori forniti nella parte inferiore della sega da banco. Quando si fissa la sega da banco sul banco da lavoro, accertarsi che sul lato superiore del banco da lavoro sia presente un'apertura delle stesse dimensioni di quella presente sul lato inferiore della sega da banco, affinché la segatura possa cadere attraverso entrambe. Qualora durante l'uso si noti l'eventuale tendenza della sega da banco a ribaltarsi, scivolare o spostarsi, occorre fissare al pavimento il banco da lavoro o il supporto per sega da banco.

Conservazione degli accessori

- **Fig.4:** 1. Guida angolare
- **Fig.5:** 1. Guida di taglio 2. Bacchetta spingipezzo 3. Denti di arresto anti-contraccolpo

È possibile riporre la guida angolare, la lama e le chiavi sul lato sinistro della base. Inoltre, è possibile riporre la guida di taglio, la bacchetta spingipezzo e i denti di arresto anti-contraccolpo sul lato destro della base.

DESCRIZIONE DELLE FUNZIONI

⚠ATTENZIONE: Accertarsi sempre che l'utensile sia spento e scollegato dall'alimentazione prima di regolare o controllare le sue funzioni.

Protezione lama

⚠AVVERTIMENTO: Non rendere inoperante né rimuovere mai la protezione lama. Una lama esposta a causa di una protezione resa inoperante potrebbe risultare in gravi lesioni personali durante il funzionamento.

⚠AVVERTIMENTO: Non utilizzare mai l'utensile se la protezione lama è danneggiata, difettosa o è stata rimossa. L'uso dell'utensile con una protezione danneggiata, difettosa o rimossa potrebbe risultare in gravi lesioni personali.

► Fig.6: 1. Protezione lama 2. Protezione secondaria

Durante il taglio, spingere il pezzo in lavorazione verso la lama con il bordo inferiore della protezione secondaria in contatto con il banco principale. Man mano che si fa avanzare il pezzo in lavorazione, la protezione lama e la protezione secondaria ricoprono il bordo del pezzo in lavorazione.

Nell'interesse della sicurezza personale dell'operatore, mantenere sempre la protezione lama e la protezione secondaria in buone condizioni. Qualsiasi funzionamento irregolare della protezione lama e della protezione secondaria va corretto immediatamente. Verificare che la protezione lama e la protezione secondaria siano abbassate e che il bordo inferiore della protezione secondaria sia in contatto con il banco principale, quando non si sta facendo avanzare il pezzo in lavorazione.

Qualora le parti trasparenti si sporchino, oppure la segatura si depositi su queste ultime in modo tale da non rendere più visibili facilmente la lama e/o il pezzo in lavorazione, scollegare l'utensile dall'alimentazione elettrica e pulire con cura le parti trasparenti con un panno umido. Non utilizzare solventi o prodotti di pulizia a base di petrolio, poiché questo potrebbe danneggiare le parti. Qualora le parti trasparenti diventino scolorite a causa dell'invecchiamento o dell'esposizione alla luce ultravioletta, contattare un centro di assistenza Makita per ottenere delle nuove parti. **NON RENDERE INOPERANTE NÉ RIMUOVERE LA PROTEZIONE LAMA E LA PROTEZIONE SECONDARIA.**

Regolazione della profondità di taglio

► Fig.7: 1. Manovella

È possibile regolare la profondità di taglio ruotando la manovella. Ruotare la manovella in senso orario per sollevare la lama o in senso antiorario per abbassarla.

NOTA: Utilizzare un'impostazione di minore profondità quando si intende tagliare materiali sottili, al fine di ottenere un taglio più pulito.

Regolazione dell'angolo di taglio a unghia

► Fig.8: 1. Leva di blocco 2. Indicatore a freccia 3. Volantino

Allentare la leva di blocco in senso antiorario e ruotare il volantino fino a ottenere l'angolazione desiderata (da 0° a 45°). L'angolo di taglio a unghia è indicato dall'indicatore a freccia. Dopo aver ottenuto l'angolazione desiderata, serrare in senso orario la leva di blocco per fissare la regolazione.

⚠ATTENZIONE: Dopo aver regolato l'angolo di taglio a unghia, accertarsi di fissare saldamente la leva di blocco.

Regolazione dei finecorsa meccanici

► Fig.9: 1. Vite di regolazione dei 90° 2. Vite di regolazione dei 45°

► Fig.10

L'utensile è dotato di finecorsa meccanici a 90° e a 45° rispetto alla superficie del banco. Per controllare e regolare i finecorsa meccanici, procedere nel modo seguente: Spostare il volantino sulla posizione più lontana possibile ruotandolo. Posizionare una squadretta isoscele sul banco e verificare se la lama sia a 90° o a 45° rispetto alla superficie del banco. Qualora la lama sia a un'angolazione mostrata nella Fig. A, ruotare la viti di regolazione in senso orario; qualora sia a un'angolazione mostrata nella Fig. B, ruotare le viti di regolazione in senso antiorario per regolare i finecorsa meccanici. Dopo aver regolato i finecorsa meccanici, impostare la lama a un'angolazione di 90° rispetto alla superficie del banco. Quindi, regolare l'indicatore a freccia in modo che il suo bordo destro sia allineato alla graduazione a 0°.

► Fig.11: 1. Indicatore a freccia

Utilizzo dell'interruttore

► Fig.12: 1. Interruttore

⚠ATTENZIONE: Prima dell'uso, accertarsi che l'utensile si accenda e si spenga.

Per avviare l'utensile, premere il pulsante di accensione (I). Per arrestarlo, premere il pulsante di spegnimento (O).

Guida secondaria (guida di taglio)

► Fig.13: 1. Vite di fissaggio 2. Guida di taglio 3. Guida secondaria 4. Binario

Se la guida di taglio viene a trovarsi in prossimità della lama, utilizzare la guida secondaria per supportare il pezzo in lavorazione. Allentare la vite di fissaggio e far scorrere la guida secondaria fuori dal binario. Montare la guida secondaria come indicato nella figura e serrare le viti di fissaggio.

Quando la guida di taglio è montata sul lato sinistro della lama, cambiare la posizione della guida secondaria. Rimuovere le viti di fissaggio, la guida secondaria e il binario dalla guida di taglio. Montare il binario senza fissarlo sul lato destro della guida di taglio, utilizzando le viti di fissaggio rimosse. Dopodiché, montare la guida secondaria e serrare le viti di fissaggio.

► Fig.14: 1. Guida di taglio 2. Guida secondaria 3. Vite di fissaggio 4. Binario

Prolunga (D)

► Fig.15: 1. Leva

► Fig.16: 1. Prolunga (D)

Questo utensile è dotato di una prolunga (D) sul lato destro del banco principale. Per utilizzare la prolunga (D), sollevare entrambe le leve sul lato anteriore destro, estrarre completamente la prolunga (D), quindi abbassare le leve per fissarla.

Quando si intende utilizzare la prolunga (D), posizionare la piastra di misurazione presente sulla prolunga, dopo aver allentato la vite sulla piastra con un cacciavite, in modo che sia adiacente alla piastra di misurazione presente sul banco principale.

► Fig.17: 1. Piastra di misurazione 2. Vite

Prolunga (posteriore)

Accessorio opzionale

► Fig.18: 1. Prolunga (posteriore) 2. Vite

Per utilizzare la prolunga (posteriore), allentare le viti sui lati sinistro e destro sotto il banco e tirarla fuori all'indietro fino alla lunghezza desiderata. Alla lunghezza desiderata, serrare saldamente le viti.

NOTA: Quando si intende utilizzare la prolunga (posteriore) durante l'utilizzo della guida di taglio, estrarre la prolunga (posteriore) per più di 50 mm, in modo che non colpisca l'estremità superiore della guida di taglio.

Prolunga (S)

Accessorio opzionale

► Fig.19: 1. Vite 2. Prolunga (S)

La prolunga (S) (accessorio opzionale) può venire installata sul lato sinistro del banco per ottenere uno spazio più ampio.

Denti di arresto anti-contraccolpo

AVVERTIMENTO: Utilizzare sempre i denti di arresto anti-contraccolpo, quando possibile, durante operazioni di taglio completo. In questo modo si contribuisce a evitare che il materiale venga spinto in avanti contro l'operatore durante una situazione di contraccolpo, il che potrebbe risultare in gravi lesioni personali.

► Fig.20: 1. Dente di arresto anti-contraccolpo
2. Morsa

Per rimuovere i denti di arresto anti-contraccolpo dall'utensile, allentare la morsa alla base dei denti di arresto anti-contraccolpo, quindi estrarli. Per installarli, eseguire la procedura di rimozione al contrario.

MONTAGGIO

ATTENZIONE: Accertarsi sempre che l'utensile sia spento e scollegato dall'alimentazione elettrica, prima di effettuare qualsiasi intervento su di esso.

Installazione o rimozione della lama

ATTENZIONE: Accertarsi sempre che l'utensile sia spento e scollegato dall'alimentazione elettrica, prima di installare o rimuovere la lama.

ATTENZIONE: Utilizzare esclusivamente la chiave Makita in dotazione per installare o rimuovere la lama. In caso contrario, si potrebbe causare il serraggio eccessivo o insufficiente del bullone esagonale. Ciò potrebbe causare lesioni personali.

ATTENZIONE: Utilizzare la lama seguente. Non utilizzare lame che non siano conformi alle caratteristiche specificate nelle presenti istruzioni.

Diametro	Spessore lama	Taglio
260 mm	Meno di 1,9 mm	Più di 2,1 mm

1. Allentare le vite sull'inserito del banco e rimuoverlo.
2. Tenere ferma la flangia esterna con la chiave a doppia curva e allentare il dado esagonale in senso antiorario con la chiave. Quindi, rimuovere la flangia esterna.

► Fig.21: 1. Chiave a doppia curva 2. Dado esagonale 3. Chiave

3. Montare la flangia interna, l'anello, la lama, la flangia esterna e il dado esagonale sull'albero, accertandosi che i denti della lama puntino verso il basso nella parte anteriore del banco. Installare sempre il dado esagonale con il lato incavato rivolto verso la flangia esterna.

► Fig.22: 1. Flangia interna 2. Anello 3. Lama
4. Flangia esterna 5. Dado esagonale

ATTENZIONE: Accertarsi che la lama sia installata in modo che i denti siano allineati nella direzione di taglio (rotazione).

ATTENZIONE: Prima di installare la lama, controllare il diametro del foro per l'albero della lama. Utilizzare sempre l'anello corretto per il foro per l'albero della lama che si intende utilizzare. La dimensione dell'anello o degli anelli in dotazione varia a seconda della nazione.

- Per un utensile per lame con diametro del foro di 30 mm, viene fornito l'anello con un diametro esterno di 30 mm.
- Per un utensile per lame con diametro del foro di 25,4 mm e 25 mm, vengono forniti l'anello argentato e l'anello nero. Utilizzare l'anello argentato per lame con diametro del foro di 25,4 mm e l'anello nero per lame con diametro del foro di 25 mm.

4. Per fissare in sede la lama, tenere ferma la flangia esterna con la chiave a doppia curva, quindi serrare il dado esagonale in senso orario con la chiave. ACCERTARSI DI SERRARE SALDAMENTE IL DADO ESAGONALE.

► Fig.23: 1. Chiave a doppia curva 2. Chiave

⚠ATTENZIONE: Tenere la superficie della flangia pulita da sporco o altri corpi estranei, che potrebbero causare lo scivolamento della lama.

⚠ATTENZIONE: Adottare estrema cautela nel tenere fermo il dado esagonale con la chiave.

Qualora la presa dovesse scivolare, la chiave potrebbe staccarsi dal dado esagonale e la mano dell'operatore potrebbe colpire i bordi affilati della lama.

5. Fissare l'inserto del banco in sede con la vite.

Regolazione del coltello divisore

⚠ATTENZIONE: Qualora la lama e il coltello divisore non siano allineati correttamente, potrebbe verificarsi una condizione di costruzione pericolosa durante l'uso. Accertarsi che siano allineati correttamente. Senza un coltello divisore allineato correttamente, l'operatore potrebbe subire gravi lesioni personali.

⚠ATTENZIONE: Non apportare MAI alcuna regolazione mentre l'utensile è in funzione. Scollegare l'utensile dall'alimentazione elettrica prima di apportare qualsiasi regolazione.

⚠ATTENZIONE: Non rimuovere il coltello divisore.

- Fig.24: 1. Protezione lama 2. Coltello divisore 3. Vite

La posizione del coltello divisore è regolata in fabbrica, in modo che la lama e il coltello divisore siano in linea retta. Tuttavia, è necessario regolarla, qualora la lama e il coltello divisore non siano in linea retta.

Allentare la vite sull'inserto del banco e rimuovere l'inserto dal banco principale. Allentare i bulloni esagonali (B) e regolare la parte di montaggio della protezione lama (sostegno) in modo che il coltello divisore sia allineato direttamente dietro la lama. Quindi, serrare i bulloni esagonali (B) per fissare il sostegno e applicare in sede l'inserto del banco.

- Fig.25: 1. Lama 2. Queste due distanze devono essere uguali. 3. Coltello divisore 4. Bulloni esagonali (B) 5. Bulloni esagonali (A)

Deve essere presente una distanza di circa 4 - 5 mm tra il coltello divisore e i denti della lama. Allentare i bulloni esagonali (A), regolare il coltello divisore di conseguenza, quindi serrare saldamente i bulloni esagonali (A). Fissare sul banco l'inserto del banco con la vite, quindi verificare che la protezione lama funzioni in modo fluido prima di eseguire tagli.

- Fig.26: 1. Coltello divisore 2. Protezione lama 3. Distanza di 4 mm - 5 mm

Installazione e regolazione della guida di taglio

- Fig.27: 1. Gancio 2. Manopola 3. Binario guida

1. Inserire il gancio presente alla punta della guida di taglio nel binario guida distante sul banco o sulla prolunga (D), quindi installare e premere la guida di taglio in avanti, in modo che il portaguida si innesti nel binario guida più vicino.

2. Per far scorrere la guida di taglio sul binario guida lateralmente, riportare completamente in posizione la manopola sul portaguida senza tirare la leva sulla manopola.

Per fissare la guida di taglio, far ruotare completamente la manopola sul portaguida.

3. Per rimuovere la guida di taglio, tirare la leva sulla manopola e far ruotare completamente in avanti la manopola mentre si tira la leva.

Per controllare se la guida di taglio sia in parallelo con la lama, fissare la guida di taglio a 2 - 3 mm dalla lama. Sollevare la lama fino alla massima elevazione. Contrassegnare uno dei denti sulla lama con un pennarello. Misurare le distanze (A) e (B) tra la guida di taglio e la lama. Prendere entrambe le misurazioni utilizzando il dente contrassegnato con il pennarello. Queste due misurazioni devono essere identiche. Qualora la guida di taglio non sia in parallelo con la lama, procedere nel modo seguente:

- Fig.28: 1. Scala

1. Posizionare la guida di taglio nella posizione di scorrimento.

2. Allentare i due bulloni esagonali sulla guida di taglio con la chiave esagonale in dotazione.

- Fig.29: 1. Bulloni esagonali

3. Regolare la guida di taglio fino a farla risultare in parallelo con la lama.

4. Far ruotare verso il basso la manopola sulla guida di taglio verso l'operatore.

5. Serrare i due bulloni esagonali sulla guida di taglio.

- Fig.30

⚠ATTENZIONE: Accertarsi di regolare la guida di taglio in modo che sia parallela alla lama, altrimenti potrebbe verificarsi una pericolosa condizione di contraccolpo.

Quando non è possibile fissare saldamente la guida di taglio, regolarla attenendosi alla procedura seguente.

1. Sistemare la guida di taglio sul banco, quindi far ruotare la manopola fino a metà corsa (posizione di spostamento). Serrare la vite (A) fino a immobilizzare la guida di taglio. Quindi, allentarla di una rotazione compresa tra 1/4 e 1/2 giro.

- Fig.31: 1. Guida di taglio 2. Posizione di sblocco 3. Posizione di spostamento 4. Posizione di blocco

- Fig.32: 1. Guida di taglio 2. Posizione di spostamento 3. Vite (B) 4. Vite (A)

2. Serrare completamente la vite (B), quindi allentarla di circa 2 giri completi.

3. Bloccare la guida di taglio facendo ruotare completamente la manopola sul portaguida (posizione di blocco).

4. Accertarsi che la guida di taglio possa venire installata e rimossa nella posizione originale (posizione di sblocco).

5. Accertarsi che sia possibile far scorrere in modo fluido la guida di taglio senza alcun oscillazione, quando la manopola si trova a metà corsa.

AVVISO: Fare attenzione a non serrare le viti con un serraggio superiore a quello specificato nelle istruzioni precedenti. La mancata osservanza di questa indicazione potrebbe danneggiare le parti serrate.

Portare la guida di taglio a filo contro la superficie laterale della lama. Accertarsi che la linea guida sul portaguida punti verso la graduazione a 0. Qualora la linea guida non punti verso la graduazione a 0, allentare la vite sulla piastra di misurazione e regolare la piastra di misurazione.

► **Fig.33:** 1. Linea guida 2. Viti

Collegamento a un aspirapolvere

È possibile eseguire operazioni più pulite collegando l'utensile a un aspirapolvere o a un collettore di polveri Makita.

► **Fig.34**

FUNZIONAMENTO

ATTENZIONE: Utilizzare sempre "ausili" quali bacchette spingipezzo e blocchi spingipezzo, quando sussiste il pericolo che le mani o le dita possano entrare in contatto con la lama.

ATTENZIONE: Mantenere sempre saldamente il pezzo in lavorazione con il banco e la guida di taglio o la guida angolare. Non piegare né torcere il pezzo in lavorazione mentre lo si fa avanzare. Qualora il pezzo in lavorazione venga piegato o torto, potrebbero verificarsi pericolosi contraccolpi.

ATTENZIONE: Non ritirare MAI il pezzo in lavorazione mentre la lama è in funzione. Qualora sia necessario ritirare il pezzo in lavorazione prima di aver completato un taglio, spegnere prima l'utensile tenendo fermo saldamente il pezzo in lavorazione. Attendere che la lama si sia arrestata completamente, prima di ritirare il pezzo in lavorazione. La mancata osservanza di questa indicazione potrebbe causare pericolosi contraccolpi.

ATTENZIONE: Non rimuovere MAI il materiale troncato mentre la lama è in funzione.

ATTENZIONE: Non posizionare MAI le mani o le dita sul percorso della lama. Fare particolare attenzione con i tagli a unghia.

ATTENZIONE: Fissare sempre saldamente la guida di taglio, oppure potrebbero verificarsi pericolosi contraccolpi.

ATTENZIONE: Utilizzare sempre "ausili" quali bacchette spingipezzo e blocchi spingipezzo, quando si intende tagliare pezzi in lavorazione piccoli o sottili.

Ausili

Bacchette spingipezzo, blocchi spingipezzo o una guida ausiliaria sono alcuni tipi di "ausili". Utilizzarli per effettuare tagli sicuri e precisi, senza l'esigenza per l'operatore di far entrare in contatto la lama con alcuna parte del proprio corpo.

Blocco spingipezzo

► **Fig.35:** 1. Faccia/bordo paralleli 2. Maniglia 3. Vite per legno 4. Incollare assieme

Utilizzare un pezzo di compensato da 19 mm.

La maniglia dovrebbe trovarsi al centro del pezzo di compensato. Fissare con colla e viti per legno, come indicato nella figura. Un piccolo pezzo da 9,5 mm x 8 mm x 50 mm di legno deve venire sempre incollato al compensato, per evitare che la lama perda il filo, qualora l'operatore per errore tagli il blocco spingipezzo. (Non utilizzare mai chiodi nel blocco spingipezzo).

Guida ausiliaria

► **Fig.36:** 1. Faccia/bordo paralleli

Costruire la guida ausiliaria con pezzi di compensato da 9,5 mm e 19 mm.

Realizzazione di tagli longitudinali

ATTENZIONE: Quando si intende eseguire tagli longitudinali, rimuovere la guida angolare dal banco.

ATTENZIONE: Quando si intende tagliare pezzi in lavorazione lunghi o larghi, fornire sempre un supporto adeguato dietro il banco. **NON consentire a una tavola lunga di spostarsi o cambiare posizione sul banco.** In caso contrario, si causa l'inceppamento della lama e si aumenta la possibilità di contraccolpi e lesioni personali. Il supporto deve trovarsi alla stessa altezza del banco.

ATTENZIONE: Non eseguire tagli longitudinali a unghia sul lato di taglio a unghia della lama.

1. Regolare la profondità del taglio poco più in alto dello spessore del pezzo in lavorazione.

► **Fig.37**

2. Posizionare la guida di taglio sulla larghezza desiderata del taglio longitudinale, quindi fissarla in sede facendo ruotare la manopola. Prima di eseguire il taglio longitudinale, accertarsi che l'estremità posteriore della guida di taglio sia fissata saldamente. Qualora non sia fissata a sufficienza, seguire le procedure nella sezione intitolata "Installazione e regolazione della guida di taglio".

3. Accendere l'utensile e far avanzare delicatamente il pezzo in lavorazione nella lama, insieme alla guida di taglio.

Quando la larghezza del taglio longitudinale è pari a 150 mm o più ampia, utilizzare con attenzione la mano destra per far avanzare il pezzo in lavorazione. Utilizzare la mano sinistra per mantenere in posizione il pezzo in lavorazione contro la guida di taglio.

► **Fig.38**

Quando la larghezza del taglio longitudinale è compresa tra 65 mm e 150 mm, utilizzare la bacchetta spingipezzo per far avanzare il pezzo in lavorazione.

► **Fig.39:** 1. Bacchetta spingipezzo

Quando la larghezza del taglio longitudinale è inferiore a 65 mm, non è possibile utilizzare la bacchetta spingipezzo, poiché quest'ultima colpirebbe la protezione lama. Utilizzare la guida ausiliaria e il blocco spingipezzo. Fissare la guida ausiliaria alla guida di taglio con due morse a "C". Far avanzare il pezzo in lavorazione a mano, fino a posizionare l'estremità a circa 25 mm dal bordo anteriore del banco.

► Fig.40

Continuare a far avanzare il pezzo utilizzando il blocco spingipezzo al di sopra della guida ausiliaria, fino al completamento del taglio.

► Fig.41: 1. Blocco spingipezzo 2. Guida ausiliaria

Realizzazione di tagli trasversali

⚠ATTENZIONE: Quando si intende eseguire tagli trasversali, rimuovere la guida di taglio dal banco.

⚠ATTENZIONE: Quando si intende tagliare pezzi in lavorazione lunghi o larghi, fornire sempre un supporto adeguato ai lati del banco. Il supporto deve trovarsi alla stessa altezza del banco.

⚠ATTENZIONE: Tenere sempre le mani lontane dal percorso della lama.

Guida angolare

► Fig.42: 1. Per tagli trasversali 2. Per tagli obliqui 3. Per tagli a unghia 4. Per tagli obliqui composti (angoli)

Utilizzare la guida angolare per i 4 tipi di tagli mostrati nella figura.

⚠ATTENZIONE: Fissare la manopola con cura sulla guida angolare.

⚠ATTENZIONE: Evitare lo slittamento del pezzo in lavorazione e della guida angolare mediante una salda disposizione dei serrapezzi, specialmente quando si intende tagliare a un'angolazione.

⚠ATTENZIONE: Non mantenere né afferrare MAI la porzione che si intende "troncare" del pezzo in lavorazione.

⚠ATTENZIONE: Regolare sempre la distanza tra la fine della guida angolare e la lama in modo che non superi i 15 mm.

Finecorsa meccanico della guida angolare

► Fig.43: 1. Vite per il finecorsa meccanico 2. Piastrina 3. Manopola

La guida angolare è dotata di finecorsa meccanici agli angoli di taglio obliquo di 90° e 45° a destra e a sinistra, per un'impostazione rapida degli angoli di taglio obliquo. Per impostare l'angolo di taglio obliquo, allentare la manopola sulla guida angolare.

Sollevarre la piastrina sulla guida angolare per effettuare liberamente l'impostazione. Ruotare la guida angolare sull'angolazione desiderata di taglio obliquo. Riportare sulla sua posizione originale la piastrina sulla guida angolare e serrare saldamente la manopola in senso orario.

Uso della guida angolare

► Fig.44: 1. Scanalatura 2. Guida angolare 3. Manopola

Far scorrere la guida angolare nelle scanalature spesse presenti nel banco. Allentare la manopola sulla guida angolare e allinearla all'angolazione desiderata (da 0° a 60°). Portare il materiale a filo contro la guida e farlo avanzare delicatamente in avanti nella lama.

Guida angolare secondaria (guida angolare)

► Fig.45: 1. Guida angolare secondaria

La guida angolare secondaria sulla guida angolare evita che il pezzo in lavorazione oscilli. Allentare la vite sulla guida angolare e regolare la posizione della guida angolare secondaria.

Trasporto dell'utensile

► Fig.46

Accertarsi che l'utensile sia scollegato dall'alimentazione elettrica.

Trasportare l'utensile mantenendo la parte dell'utensile mostrata nella figura.

⚠ATTENZIONE: Fissare sempre tutte le parti mobili prima di trasportare l'utensile.

⚠ATTENZIONE: Prima di trasportare l'utensile, accertarsi che la protezione lama e la protezione secondaria siano abbassate e che il bordo inferiore della protezione secondaria sia in contatto con il banco principale.

MANUTENZIONE

⚠ATTENZIONE: Accertarsi sempre che l'utensile sia spento e scollegato dall'alimentazione elettrica, prima di tentare di eseguire interventi di ispezione o manutenzione.

AVVISO: Non utilizzare mai benzina, benzene, solventi, alcol o altre sostanze simili. In caso contrario, si potrebbero causare scolorimenti, deformazioni o crepe.

Pulizia

Rimuovere la segatura e i trucioli, di tanto in tanto. Pulire con cura la protezione lama e le parti in movimento all'interno della sega da banco.

Quando si intende rimuovere la segatura accumulata sotto la lama, rimuovere l'inserito del banco e utilizzare una bomboletta di aria compressa per soffiare via la segatura dal connettore per un aspirapolvere.

Lubrificazione

Per mantenere la sega da banco in condizioni di esercizio ottimali, nonché per assicurarne la massima vita utile, applicare di tanto in tanto olio o grasso alle parti mobili e alle parti rotanti.

Sedi di lubrificazione:

- Albero filettato per il sollevamento della lama
- Cerniera per far ruotare il telaio
- Alberi della guida di sollevamento sul motore
- Ingranaggio per sollevare la lama
- Binari guida per la guida di taglio
- Albero delle leve di blocco della prolunga (D)
- Parte scorrevole della prolunga (D)

Sostituzione delle spazzole in carbonio

Controllare a intervalli regolari le spazzole in carbonio. Sostituirle quando si usurano fino ad arrivare al segno limite. Mantenere le spazzole in carbonio pulite e libere di scorrere negli appositi alloggiamenti. È necessario sostituire entrambe le spazzole in carbonio contemporaneamente. Utilizzare esclusivamente spazzole in carbonio identiche.

► **Fig.47:** 1. Segno limite

1. Riporre la prolunga (D). Rimuovere la guida di taglio, qualora sia stata riposta.
2. Allentare la leva di blocco e ruotare il volantino fino a quando la testa della sega è inclinata a un angolo di taglio a unghia di 45°. Dopodiché, serrare la leva di blocco.

► **Fig.48:** 1. Guida di taglio 2. Leva di blocco
3. Volantino

3. Girare l'utensile sul suo fianco destro.

► **Fig.49**

4. Allentare le viti sulla piastra inferiore e rimuovere quest'ultima.
5. Allentare i cappucci degli alloggiamenti delle spazzole utilizzando un cacciavite e rimuovere le spazzole in carbonio usurate.

► **Fig.50:** 1. Piastra inferiore 2. Cappuccio dell'alloggiamento della spazzola 3. Cacciavite

6. Inserire le nuove spazzole in carbonio e fissare i cappucci degli alloggiamenti delle spazzole.
7. Montare la piastra inferiore con le viti e appoggiare con cautela l'utensile sul suo lato inferiore. Riporre la guida di taglio, qualora sia stata rimossa.

Per preservare la SICUREZZA e l'AFFIDABILITÀ del prodotto, le riparazioni e qualsiasi altro intervento di manutenzione e di regolazione devono essere eseguiti da un centro di assistenza autorizzato Makita, utilizzando sempre ricambi Makita.

ACCESSORI OPZIONALI

ATTENZIONE: Questi accessori o componenti aggiuntivi sono consigliati per l'uso con l'utensile Makita specificato nel presente manuale.

L'impiego di altri accessori o componenti aggiuntivi può costituire un rischio di lesioni alle persone. Utilizzare gli accessori o i componenti aggiuntivi solo per il loro scopo prefissato.

Per ottenere ulteriori dettagli relativamente a questi accessori, rivolgersi a un centro di assistenza Makita.

- Lame in acciaio e al carburo
- Prolunga (S)
- Prolunga (posteriore)
- Guida di taglio
- Guida angolare
- Chiave a doppia curva 13-22
- Chiave 19
- Chiave esagonale 5
- Giunto (per il raccordo a un collettore di polveri)
- Kit di supporto per sega da banco

Fare riferimento al manuale d'uso del supporto per sega da banco fornito come accessorio opzionale.

NOTA: Alcuni articoli nell'elenco potrebbero essere inclusi nell'imballaggio dell'utensile come accessori standard. Tali articoli potrebbero variare da nazione a nazione.

TECHNISCHE GEGEVENS

Model:		2704N
Asgat (Afhankelijk van het land)		30 mm / 25,4 mm
Diameter zaagblad		260 mm
Max. zaagdiepten	Schuin hoek 0°	93 mm
	Schuin hoek 45°	64 mm
Nullasttoerental		5.200 min ⁻¹
Afmetingen tafel (l x b)	met hulptafels (rechts en achter)	1.045 mm x 1.066 mm (tafels uitgetrokken) 665 mm x 753 mm (tafels opgeborgen)
	met hulptafel (rechts) zonder hulptafel (achter)	567 mm x 1.066 mm (tafel uitgetrokken) 567 mm x 753 mm (tafel opgeborgen)
Afmetingen (l x b x h) met tafel(s) niet uitgetrokken	met hulptafels (rechts en achter)	715 mm x 753 mm x 483 mm
	met hulptafel (rechts) zonder hulptafel (achter)	665 mm x 753 mm x 483 mm
Nettogewicht		35,2 kg - 37,0 kg
Veiligheidsklasse		□/II

- In verband met ononderbroken research en ontwikkeling behouden wij ons het recht voor bovenstaande technische gegevens te wijzigen zonder voorafgaande kennisgeving.
- De technische gegevens kunnen van land tot land verschillen.
- Het gewicht kan verschillen afhankelijk van de hulpstukken. De lichtste en zwaarste combinatie, volgens EPTA-procedure 01/2014, worden vermeld in de tabel.

Symbolen

Hieronder staan de symbolen die voor het gereedschap worden gebruikt. Zorg ervoor dat u weet wat ze betekenen alvorens het gereedschap te gebruiken.



Lees de gebruiksaanwijzing.



DUBBEL GEÏSOLEERD



Draag een veiligheidsbril.



Houd handen en vingers uit de buurt van het zaagblad.



Alleen voor EU-landen
Geef elektrisch gereedschap niet met het huisvuil mee! Volgens de Europese richtlijn inzake oude elektrische en elektronische apparaten en de toepassing daarvan binnen de nationale wetgeving, dient gebruikt elektrisch gereedschap gescheiden te worden ingezameld en te worden afgevoerd naar een recyclebedrijf dat voldoet aan de geldende milieu-eisen.

Gebruiksdoelinden

Dit gereedschap is bedoeld voor zagen in hout. Recht zagen, schuin zagen en verstekzagen zijn mogelijk met dit gereedschap. Dit gereedschap is niet geschikt voor zaagsneden die niet volledig door het werkstuk heen zagen.

Voeding

Het gereedschap mag alleen worden aangesloten op een voeding van dezelfde spanning als aangegeven op het typeplaatje, en kan alleen worden gebruikt op enkelfase-wisselstroom. Het gereedschap is dubbel-geïsoleerd en kan derhalve ook op een niet-geaard stop-contact worden aangesloten.

Geluidsniveau

De typische, A-gewogen geluidsniveaus zijn gemeten volgens EN62841:

Geluidsdrukniveau (L_{PA}): 94 dB (A)

Geluidsvermogeniveau (L_{WA}): 107 dB (A)

Onzekerheid (K): 3 dB (A)

⚠ WAARSCHUWING: Draag gehoorbescherming.

EG-verklaring van conformiteit

Alleen voor Europese landen

De EG-verklaring van conformiteit is bijgevoegd als Bijlage A bij deze gebruiksaanwijzing.

VEILIGHEIDSWAARSCHUWINGEN

Algemene veiligheidswaarschuwingen voor elektrisch gereedschap

⚠ WAARSCHUWING: Lees alle veiligheids-
waarschuwingen, aanwijzingen, afbeeldingen en
technische gegevens behorend bij dit elektrische
gereedschap aandachtig door. Als u niet alle onder-
staande aanwijzingen naleeft, kan dat resulteren in
brand, elektrische schokken en/of ernstig letsel.

Bewaar alle waarschuwingen en instructies om in de toekomst te kunnen raadplegen.

De term "elektrisch gereedschap" in de veiligheidsvoor-
schriften duidt op gereedschappen die op stroom van
het lichtnet werken (met snoer) of gereedschappen met
een accu (snoerloos).

Veiligheidsinstructies voor tafelvormzagen

Waarschuwingen betreffende de beschermkappen

1. **Houd de beschermkappen op hun plaats. De beschermkappen moeten in werkende staat zijn en goed gemonteerd zijn.** Een beschermkap die los zit, beschadigd is of niet goed werkt, moet worden gerepareerd of vervangen.
2. **Verzekert u ervan dat het zaagblad de beschermkap, het spouwmes of het werkstuk niet raakt voordat u de schakelaar inschakelt.** Als het zaagblad deze onderdelen onbedoeld aanraakt, kan een gevaarlijke situatie ontstaan.
3. **Stel het spouwmes af zoals beschreven in deze gebruiksaanwijzing.** Door een onjuiste afstand, positie of uitlijning, zal het spouwmes de kans op terugslag niet effectief kunnen verlagen.
4. **Voor een goede werking van het spouwmes en de antiterugslagsteunen, moeten deze het werkstuk raken.** Het spouwmes en de antiterugslagsteunen zijn niet effectief bij het zagen van werkstukken die te kort zijn om het spouwmes en de antiterugslagsteunen te raken. In dat geval kan een terugslag niet worden voorkomen door het spouwmes en de antiterugslagsteunen.
5. **Gebruik het geschikte zaagblad voor het spouwmes dat wordt gebruikt.** Om het spouwmes goed te laten werken, moet de diameter van het zaagblad overeenkomen met het geschikte spouwmes, en moet het zaagblad dunner zijn dan de dikte van het spouwmes, maar moet de zaagsnede van het zaagblad breder zijn dan de dikte van het spouwmes.

Waarschuwingen betreffende de werkwijzen bij het zagen

1. **⚠ GEVAAR: Breng uw handen of vingers nooit in de buurt van of in de zaaglijn van het zaagblad.** Een moment van onoplettendheid of per ongeluk verschuiven kan uw hand in de richting van het zaagblad doen bewegen en leiden tot ernstig persoonlijk letsel.
2. **Voer het werkstuk in het zaagblad, maar alleen tegen de draairichting in.** Als het werkstuk wordt ingevoerd in dezelfde richting als waarin het zaagblad draait boven het tafelblad, kan dat ertoe leiden dat het werkstuk en uw hand naar het zaagblad toe worden getrokken.
3. **Gebruik nooit de verstekgeleider om het werkstuk in te voeren tijdens het langzagen, en gebruik nooit de breedtegeleider als een lengteaanslag bij het afkorten met de verstekgeleider.** Door het werkstuk tegelijkertijd met de breedtegeleider en de verstekgeleider te begeleiden, verhoogt u de kans dat het zaagblad vastloopt en terugslag optreedt.
4. **Oefen bij het langzagen altijd de kracht waarmee het werkstuk wordt ingevoerd uit tussen de geleider en het zaagblad. Gebruik een duwstok wanneer de afstand tussen de geleider en het zaagblad minder dan 150 mm is, en gebruik een duwblok wanneer deze afstand minder dan 50 mm is.** Dergelijke 'hulpstukken' zorgen ervoor dat uw handen op veilige afstand van het zaagblad blijven.
5. **Gebruik uitsluitend de duwstok die door de fabrikant is geleverd, of een duwstok die gemaakt is overeenkomstig de instructies.** Deze duwstok zorgt voor voldoende afstand tussen uw hand en het zaagblad.
6. **Gebruik nooit een beschadigde of ingezaagde duwstok.** Een beschadigde duwstok kan breken waardoor uw hand in het zaagblad valt.
7. **Zaag nooit uit de 'vrije hand'. Gebruik altijd de breedtegeleider of de verstekgeleider om het werkstuk te plaatsen en begeleiden.** 'Vrije hand' betekent dat u uw handen gebruikt om het werkstuk te ondersteunen of begeleiden in plaats van de breedtegeleider of verstekgeleider. Uit de vrije hand zagen leidt tot een verkeerde uitlijning, vastlopen en terugslag.
8. **Reik nooit rondom of over het draaiende zaagblad.** Naar een werkstuk reiken kan leiden tot per ongeluk aanraken van het draaiende zaagblad.
9. **Zorg voor extra ondersteuning van het werkstuk aan de achterkant en/of zijkanten van de zaagtafel in geval van lange en/of brede werkstukken om deze horizontaal te houden.** Een lang en/of breed werkstuk neigt te kantelen op de rand van de tafel, waardoor u de controle over het werkstuk verliest, het zaagblad vastloopt en terugslag optreedt.
10. **Voer het werkstuk gelijkmatig in het zaagblad. Buig of verdraai het werkstuk niet. Als het werkstuk vastloopt, schakelt u het gereedschap onmiddellijk uit, trekt u de stekker uit het stopcontact en maakt u het werkstuk vrij.** Als het zaagblad door het werkstuk vastloopt, kan terugslag optreden of de motor stoppen.

11. **Verwijder stukjes afgezaagd materiaal niet terwijl het zaagblad draait.** Het materiaal kan klem komen te zitten tussen de geleider en het zaagblad of binnenin de beschermkap van het zaagblad, waardoor uw vingers in het zaagblad worden getrokken. Schakel de zaag uit en wacht totdat het zaagblad tot stilstand is gekomen voordat u het materiaal verwijdert.
12. **Gebruik een extra geleider die over het tafelpervlak loopt wanneer u gaat langszagen met werkstukken die minder dan 2 mm dik zijn.** Een dun werkstuk kan klem komen te zitten onder de breedtegeleider en terugslag veroorzaken.
8. **Zaag nooit meer dan één werkstuk, ongeacht of ze horizontaal of verticaal zijn gestapeld.** Het zaagblad kan in meer dan één werkstuk tegelijk zagen en terugslag veroorzaken.
9. **Wanneer u de zaag weer inschakelt terwijl het zaagblad in het werkstuk zit, plaatst u het zaagblad in het midden van de zaagsnede zodat de tanden niet in het materiaal grijpen.** Als het zaagblad vastloopt, kan deze het werkstuk optillen en terugslag veroorzaken wanneer de zaag weer wordt ingeschakeld.
10. **Houd het zaagblad schoon en de tanden scherp en correct gezet. Gebruik nooit een verbogen zaagblad of een zaagblad met gebarsen of afgebroken tanden.** Scherpe en correct gezette tanden minimaliseren de kans op vastlopen, stoppen en terugslag.

Oorzaken van terugslag en gerelateerde waarschuwingen

Terugslag is een plotselinge reactie van het werkstuk op een bekneld, vastgelopen zaagblad of een verkeerd uitgelijnde zaaglijn in het werkstuk ten opzichte van het zaagblad, of wanneer een deel van het werkstuk vastloopt tussen het zaagblad en de breedtegeleider of een ander vast voorwerp. Meestal wordt tijdens een terugslag het werkstuk van de tafel af getild door het achterste deel van het zaagblad en in de richting van de gebruiker geworpen.

Terugslag is het gevolg van misbruik van de zaag en/of onjuiste gebruiksprocedures of -omstandigheden, en kan worden voorkomen door goede voorzorgsmaatregelen te treffen, zoals hieronder vermeld.

1. **Ga nooit rechtstreeks in het verlengde van het zaagblad staan. Plaats uw lichaam altijd aan dezelfde kant van het zaagblad als de geleider.** Door terugslag kan het werkstuk op hoge snelheid worden weggeworpen in de richting van iemand die recht voor het zaagblad staat.
2. **Reik nooit over of achter het zaagblad om aan het werkstuk te trekken of het te ondersteunen.** U kunt per ongeluk het zaagblad aanraken of uw vingers kunnen door terugslag in het zaagblad worden getrokken.
3. **Duw nooit het deel van het werkstuk dat eraf wordt gezaagd tegen het draaiende zaagblad.** Als u het deel van het werkstuk dat eraf wordt gezaagd tegen het zaagblad duwt, ontstaat een vergelijkbare situatie als vastlopen en zal terugslag optreden.
4. **Lijn de geleider uit parallel aan het zaagblad.** Een verkeerd uitgelijnde geleider zal het werkstuk tegen het zaagblad knellen en terugslag veroorzaken.
5. **Wees extra voorzichtig wanneer u een zaagsnede maakt in 'blinde' delen van een samengesteld werkstuk.** Het erdoor stekende zaagblad kan verborgen voorwerpen raken die een terugslag veroorzaken.
6. **Ondersteun grote platen om de kans te minimaliseren dat het zaagblad bekneld raakt en terugslaat.** Grote platen neigen door te zakken onder hun eigen gewicht. Ondersteuning(en) moeten onder alle delen van de plaat worden geplaatst die over het tafelloppervlak uit steken.
7. **Wees extra voorzichtig wanneer u een werkstuk zaagt dat verbogen of kromgetrokken is of waarin knoesten zitten, of dat geen rechte rand heeft die langs de verstekgeleider of geleider kan worden geplaatst.** Een verbogen of kromgetrokken werkstuk of een werkstuk waarin knoesten zitten is onstabiel en leidt tot verkeerde uitlijning tussen de zaagsnede en het zaagblad, met vastlopen en terugslag tot gevolg.
1. **Schakel de tafelfirkelzaag uit en trek de stekker van het netsnoer uit het stopcontact wanneer u het inzetstuk van de tafel verwijdert, het zaagblad vervangt of veranderingen aanbrengt aan het spouwmes, de antiterugslagsteunen of beschermkap van het zaagblad, en wanneer het gereedschap onbeheerd wordt achtergelaten.** Voorzorgsmaatregelen voorkomen ongevallen.
2. **Laat de tafelfirkelzaag nooit ingeschakeld achter. Schakel het gereedschap uit en laat het niet achter voordat het volledig tot stilstand is gekomen.** Een achtergelaten draaiende zaag is een ongecontroleerd gevaar.
3. **Plaats de tafelfirkelzaag op een goed verlichte en horizontale plek waar u stevig en met goed evenwicht kunt staan. Hij moet worden opgesteld in een gebied dat voldoende ruimte biedt om uw werkstuk met die afmetingen te hanteren.** Krappe, donkere gebieden en ongelijke, gladde vloeren leiden tot ongevallen.
4. **Verwijder vaak het zaagsel onder de zaagtafel en/of de zaagselvanginrichting.** Opgeloopt zaagsel is brandbaar en kan tot zelfontbranding komen.
5. **De tafelfirkelzaag moet zijn vastgezet.** Een tafelfirkelzaag die niet goed is vastgezet, kan verschuiven of omvallen.
6. **Verwijder gereedschappen, houtsnippers, enz. vanaf de tafel voordat de tafelfirkelzaag wordt ingeschakeld.** Afdleiding of mogelijk vastlopen kan gevaarlijk zijn.
7. **Gebruik altijd een zaagblad met een asgat van de juiste maat en vorm (diamant versus rond).** Een zaagblad dat niet overeenkomt met de bevestigingshardware van de zaag, zal excentrisch draaien, waardoor u de controle over het gereedschap verliest.
8. **Gebruik nooit beschadigde of verkeerde bevestigingsmiddelen voor het zaagblad, zoals flenzen, ringen, bouten of moeren.** Deze bevestigingsmiddelen werden specifiek ontworpen voor uw zaag, voor een veilige bediening en optimale prestaties.

Waarschuwingen betreffende bedieningsprocedure van de tafelfirkelzaag

9. **Ga nooit op de tafelfcirkelzaag staan en gebruik hem niet als een opstapje.** Er kan ernstig letsel ontstaan als het gereedschap omvalt of als het snij-/zaaggarnituur per ongeluk wordt aangeraakt.
10. **Verzeker u ervan dat het zaagblad zodanig is aangebracht dat het in de juiste richting draait. Gebruik geen slijpschijven, draadborstels of schuurschijven met de tafelfcirkelzaag.** Een verkeerd aangebracht zaagblad of het gebruik van accessoires die niet worden aanbevolen, kunnen leiden tot ernstig letsel.
13. **Zorg er altijd voor dat de hulpbeschermkap zich in de onderste stand vlak op de zaagtafel bevindt, voordat u de stekker in het stopcontact steekt.**
14. **Inspecteer verlengsnoeren regelmatig en vervang ze indien beschadigd.**
15. **(Alleen voor Europese landen) Gebruik alleen zaagbladen aanbevolen door de fabrikant, die voldoen aan de norm EN847-1.**

Aanvullende instructies

1. **Gebruik altijd een zaagblad dat is gemarkeerd met een toerental dat gelijk is aan of hoger is dan het toerental dat is aangegeven op het gereedschap.**
2. **Selecteer het juiste zaagblad voor het te zagen materiaal.**
3. **Draag handschoenen wanneer u zaagbladen hanteert.**
4. **Reinig de as, de flenzen (vooral het montagevlak) en de zeskantmoer voordat u het zaagblad monteert.** Gebrekkige montage kan trilling/schommeling of slippen van het zaagblad veroorzaken.
5. **Probeer niet om metalen voorwerpen zoals spijkers of schroeven door te zagen. Inspecteer het werkstuk en verwijder alle eventuele spijkers, schroeven en andere vreemde voorwerpen alvorens met het zagen te beginnen.**
6. **Sta NOOIT toe dat iemand in het verlengde van de zaaglijn van het zaagblad staat.**
7. **Laat het gereedschap een tijdje draaien alvorens het op het werkstuk te gebruiken. Controleer op trillingen of schommelingen die op onjuiste montage of op een slecht uitgebalanceerd zaagblad kunnen wijzen.**
8. **Het gereedschap mag niet gebruikt worden voor het zagen van gleuven, rabatten of groeven.**
9. **Vervang het inzetstuk van de tafel als dit gesleten is.**
10. **Berg de duwstok altijd op als deze niet wordt gebruikt.**
11. **Verwijder elk loszittende knoest uit het werkstuk VOORDAT u het begint te zagen.**
12. **Stof dat tijdens de werkzaamheden vrijkomt, kan chemische bestanddelen bevatten die kanker, geboortedefecten of andere voortplantingsschade kunnen veroorzaken. Enkele voorbeelden van deze chemische stoffen zijn:**
 - lood van loodhoudende verfstoffen, en
 - arseen en chroom van chemisch behandeld hout.

Het gevaar van blootstelling hangt af van hoe vaak u dit soort werk uitvoert. Om blootstelling aan deze chemicaliën tot een minimum te beperken, dient u in een goed geventileerde omgeving te werken en gebruik te maken van goedgekeurde veiligheidsmiddelen zoals stofmaskers die speciaal ontworpen zijn voor het filteren van microscopische deeltjes.

BEVESTIGEN

De tafelfcirkelzaag opstellen

- **Fig.1:** 1. Diameter van gat 8 mm
- **Fig.2:** 1. Sluistring van 6 mm 2. Houtschroef nr. 10 met minimale lengte van 40 mm
- **Fig.3:** 1. Sluistring van 6 mm 2. Bevestigingsbout en -moer van 6 mm, goed aandraaien

Plaats de tafelfcirkelzaag op een goed verlichte en horizontale plek waar u stevig en met goed evenwicht kunt staan. Hij moet worden opgesteld in een gebied dat voldoende ruimte biedt om uw werkstukken met die afmetingen te hanteren. De tafelfcirkelzaag moet op een werkbank of tafelfcirkelzaagstatief worden vastgezet door middel van vier schroeven of bouten die u door de gaten in het voetstuk van de tafelfcirkelzaag steekt. Wanneer u de tafelfcirkelzaag op een werkbank vastzet, moet het bovenblad van de werkbank voorzien zijn van een opening die even groot is als de opening in het voetstuk van de tafelfcirkelzaag, zodat het zaagsel erdoor kan vallen.

Als de tafelfcirkelzaag tijdens het gebruik neigt om te kantelen, te verschuiven of te bewegen, moet de werkbank of het tafelfcirkelzaagstatief op de vloer worden bevestigd.

Bewaarplaats voor accessoires

- **Fig.4:** 1. Verstekgeleider
- **Fig.5:** 1. Breedtegeleider 2. Duwstok 3. Antiterugslagsteunen

De verstekgeleider, het zaagblad en de sleutels kunnen worden opgeborgen aan de linkerkant van het onderstel. De breedtegeleider, duwstok en antiterugslagsteunen kunnen worden opgeborgen aan de rechterkant van het onderstel.

BESCHRIJVING VAN DE FUNCTIES

⚠ALLET OP: Controleer altijd of het gereedschap is uitgeschakeld en de stekker ervan uit het stopcontact is verwijderd alvorens de functies op het gereedschap te controleren of af te stellen.

Beschermkap

⚠WAARSCHUWING: De beschermkap van het zaagblad mag nooit buiten werking gesteld of verwijderd worden. Een blootliggend zaagblad als gevolg van een buiten werking gestelde beschermkap kan tijdens gebruik leiden tot ernstig persoonlijk letsel.

⚠WAARSCHUWING: Gebruik het gereedschap nooit wanneer de beschermkap van het zaagblad beschadigd, defect, of verwijderd is. Het gebruik van het gereedschap met een beschadigde, defecte of verwijderde beschermkap kan leiden tot ernstig persoonlijk letsel.

► **Fig.6:** 1. Beschermkap 2. Hulpbeschermkap

Duw bij het zagen het werkstuk in de richting van het zaagblad terwijl de onderrand van de hulpbeschermkap de hoofdtafel raakt. Terwijl het werkstuk wordt ingevoerd, bewegen de beschermkap van het zaagblad en hulpbeschermkap over de rand van het werkstuk.

Omwille van uw persoonlijke veiligheid zorgt u ervoor dat de beschermkap van het zaagblad en hulpbeschermkap altijd goed werken. Iedere onregelmatigheid in de werking van de beschermkap van het zaagblad en hulpbeschermkap moet onmiddellijk worden gecorrigeerd. Controleer om er zeker van te zijn dat de beschermkap van het zaagblad en hulpbeschermkap omlaag staan en de onderrand van de hulpbeschermkap de hoofdtafel raakt wanneer geen werkstuk wordt ingevoerd.

Als de doorzichtige onderdelen vuil zijn geworden of er zaagsel aan kleefst zodat het zaagblad en/of het werkstuk niet meer goed zichtbaar is, trekt u de stekker van het gereedschap uit het stopcontact en maakt u de doorzichtige onderdelen voorzichtig schoon met een vochtige doek. Gebruik geen oplosmiddelen of een schoonmaakmiddel op petroleumbasis omdat hierdoor de onderdelen kunnen worden beschadigd. Als de doorzichtige onderdelen van kleur zijn veranderd door ouderdom of blootstelling aan ultravioletlicht, neemt u contact op met een Makita-servicecentrum om nieuwe onderdelen te bestellen. DE WERKING VAN DE BESCHERMKAP VAN HET ZAAGBLAD EN DE HULPBESCHERMKAP NIET HINDEREN EN DEZE NIET VERWIJDEREN.

De zaagdiepte instellen

► **Fig.7:** 1. Hendel

De zaagdiepte kan worden ingesteld door de hendel te draaien. Draai de hendel rechtsom om het zaagblad hoger te zetten, of linksom om het zaagblad lager te zetten.

OPMERKING: Om bij het zagen van dun materiaal een gladdere zaagsnede te verkrijgen moet u een geringe zaagdiepte gebruiken.

Afstellen van de schuine hoek

► **Fig.8:** 1. Vergrendelhendel 2. Pijlpunt 3. Handwiel
Zet de vastzethendel linksom los en draai het handwiel om de gewenste hoek (0° - 45°) te krijgen. De schuine hoek wordt door de pijlpunt aangegeven. Nadat de gewenste hoek is ingesteld, zet u de vergrendelhendel rechtsom vast om de instelling te vergrendelen.

⚠ALLET OP: Zorg dat de vergrendelhendel, na instelling van de schuine hoek, stevig vastgezet is.

De aanslagen afstellen

► **Fig.9:** 1. Stelschroef voor 90° 2. Stelschroef voor 45°

► **Fig.10**

Het gereedschap is voorzien van aanslagen op 90° en 45° ten opzichte van het tafelloppervlak. Ga als volgt te werk om de aanslagen te controleren en zo nodig af te stellen: Verplaats het handwiel zo ver mogelijk door eraan te draaien. Plaats een geodriehoek op de tafel en controleer of het zaagblad onder een hoek van 90° of 45° staat ten opzichte van het tafelloppervlak. Als de hoek van het zaagblad is zoals in afb. A, moet u de stelschroeven rechtsom draaien. Als de hoek is zoals in afb. B, moet u de stelschroeven linksom draaien om de aanslagen af te stellen.

Nadat de aanslagen zijn afgesteld, moet u het zaagblad op 90° ten opzichte van het tafelloppervlak zetten. Stel daarna de positie van de pijlpunt af zodat zijn rechterrand is uitgelijnd met 0° op de schaalverdeling.

► **Fig.11:** 1. Pijlpunt

Werkung van de schakelaar

► **Fig.12:** 1. Schakelaar

⚠ALLET OP: Controleer of het gereedschap kan worden in- en uitgeschakeld voordat u het bedient.

Om het gereedschap in te schakelen, drukt u op de aan-knop (I).

Om het gereedschap te stoppen, drukt u op de uit-knop (O).

Hulpgeleider (breedtegeleider)

► **Fig.13:** 1. Klemschroef 2. Breedtegeleider 3. Hulpgeleider 4. Rail

Als de breedtegeleider dicht bij het zaagblad komt, gebruikt u de hulpgeleider om het werkstuk te ondersteunen. Draai de klemschroef los en schuif de hulpgeleider van de rail af. Bevestig de hulpgeleider zoals afgebeeld en draai de klemschroeven vast.

Wanneer de breedtegeleider is bevestigd aan de linkerkant van het zaagblad, verandert u de positie van de hulpgeleider. Verwijder de klemschroeven, hulpgeleider en rail vanaf de breedtegeleider. Bevestig de rail losjes aan de rechterkant van de breedtegeleider met behulp van de verwijderde klemschroeven. Schuif daarna de hulpgeleider op de rail en draai de klemschroeven vast.

► **Fig.14:** 1. Breedtegeleider 2. Hulpgeleider 3. Klemschroef 4. Rail

Hulptafel (rechts)

- Fig.15: 1. Hendel
► Fig.16: 1. Hulptafel (rechts)

Dit gereedschap is voorzien van een hulptafel (rechts) aan de rechterkant van het hoofdtafel. Om gebruik te maken van de hulptafel (rechts), moet u beide hendels aan de rechter voorzijde omhoog tillen, de tafel (rechts) volledig uittrekken en daarna de hendels naar beneden brengen om hem vast te zetten.

Breng bij gebruik van de hulptafel (rechts), na het losdraaien van een schroef met een schroevendraaier, de schaalplaat aan op de hulptafel zodat deze in lijn ligt met de schaalplaat op de hoofdtafel.

- Fig.17: 1. Schaalplaat 2. Schroef

Hulptafel (achter)

Optioneel accessoire

- Fig.18: 1. Hulptafel (achter) 2. Schroef

Om de hulptafel (achter) te kunnen gebruiken, moet u de schroeven aan de linker- en rechterkant onder de tafel losdraaien en de hulptafel naar achteren uittrekken tot de gewenste lengte. Draai op de gewenste lengte de schroeven goed vast.

OPMERKING: Bij gelijktijdig gebruik van de hulptafel (achter) en de breedtegeleider, moet de hulptafel (achter) meer dan 50 mm uitgetrokken worden, zodat deze niet de bovenkant van de breedtegeleider raakt.

Hulptafel (links)

Optioneel accessoire

- Fig.19: 1. Schroef 2. Hulptafel (links)

De hulptafel (links) (optioneel accessoire) kan gemonteerd worden aan de linkerkant van de tafel om een bredere werkruimte te verkrijgen.

Antiterugslagsteunen

WAARSCHUWING: Gebruik de antiterugslagsteunen zo vaak mogelijk bij zaagsneden die volledig door het werkstuk heen zagen. Dit helpt te voorkomen dat het materiaal naar voren wordt geduwd in de richting van de gebruiker tijdens het optreden van terugslag waarbij ernstig persoonlijk letsel kan ontstaan.

- Fig.20: 1. Antiterugslagsteun 2. Klem

Om de antiterugslagsteunen vanaf het gereedschap te verwijderen, maakt u de klem los aan de basis van de antiterugslagsteunen en trekt u ze vervolgens eraf. Om aan te brengen, volgt u de verwijderingsprocedure in omgekeerde volgorde.

MONTAGE

ALLET OP: Zorg altijd dat het gereedschap is uitgeschakeld en dat zijn stekker uit het stopcontact is verwijderd alvorens enig werk aan het gereedschap uit te voeren.

Het zaagblad aanbrengen en verwijderen

ALLET OP: Verzeker u er altijd van dat het gereedschap is uitgeschakeld en de stekker uit het stopcontact is getrokken alvorens het zaagblad aan te brengen of te verwijderen.

ALLET OP: Gebruik voor het aanbrengen of verwijderen van het zaagblad uitsluitend de bijgeleverde Makita-sleutel. Als u dit nalaat, loopt u het risico dat de zeskantbout te vast of onvoldoende vast aangedraaid wordt. Dit kan leiden tot persoonlijk letsel.

ALLET OP: Gebruik het hieronder gespecificeerde zaagblad. Gebruik geen zaagbladen die niet beantwoorden aan de in deze gebruiksaanwijzing vermelde specificaties.

Diameter	Dikte zaagblad	Breedte zaagsnede
260 mm	Minder dan 1,9 mm	Meer dan 2,1 mm

1. Draai de schroef op het inzetstuk van de tafel los en verwijder het.
2. Zet de versprongen sleutel op de buitenflens en draai de zeskantmoer linksom los met de sleutel. Verwijder vervolgens de buitenflens.

- Fig.21: 1. Versprongen sleutel 2. Zeskantmoer 3. Sleutel

3. Assembleer de binnenflens, ring, zaagblad, buitenflens en zeskantmoer op de as, en let er daarbij op dat de tanden van het zaagblad omlaag wijzen aan de voorkant van de tafel. Monteer de zeskantmoer altijd met zijn uitgeholde zijde naar de buitenflens gekeerd.

- Fig.22: 1. Binnenflens 2. Ring 3. Zaagblad 4. Buitenflens 5. Zeskantmoer

ALLET OP: Zorg ervoor dat het zaagblad zodanig gemonteerd wordt dat de zaagtanden uitgelijnd zijn in de zaag (draai)-richting.

ALLET OP: Controleer voordat u het zaagblad aanbrengt de diameter van het asgat van het zaagblad. Gebruik altijd de juiste ring, passend voor het asgat van het zaagblad dat u gaat gebruiken. De maat van de bijgeleverde ring(en) verschilt afhankelijk van het land.

- Bij een gereedschap voor een zaagblad met een asgat met een diameter van 30 mm, wordt een ring met een buitendiameter van 30 mm geleverd.
- Bij een gereedschap voor een zaagblad met een asgat met een diameter van 25,4 mm of 25 mm, worden de zilveren en zwarte ringen geleverd. Gebruik de zilveren ring voor een zaagblad met een asgat met een diameter van 25,4 mm, en gebruik de zwarte ring voor een zaagblad met een asgat met een diameter van 25 mm.

4. Om het zaagblad vast te zetten, houdt u de buitenflens op zijn plaats met de versprongen sleutel en draait u vervolgens de zeskantmoer rechtsom vast met de sleutel. DRAAI DE ZESKANTMOER GOED VAST.

- Fig.23: 1. Versprongen sleutel 2. Sleutel

⚠ LET OP: Houd het flensoppervlak vrij van vuil en ander materiaal dat er zich op hecht omdat het anders slippen van het zaagblad kan veroorzaken.

⚠ LET OP: Zorg ervoor dat de sleutel de zeskantmoer goed vasthoudt. Als u grip verliest, kan de sleutel losschieten van de zeskantmoer en loopt u het risico dat uw hand tegen de scherpe rand van het zaagblad komt.

5. Bevestig het inzetstuk van de tafel op zijn plaats met behulp van de schroef.

Het spouwmes afstellen

⚠ LET OP: Als het zaagblad en het spouwmes niet goed uitgelijnd zijn, kunnen deze tijdens het gebruik gaan knellen, wat gevaarlijk is. Zorg ervoor dat ze goed zijn uitgelijnd. Bij gebruik van het gereedschap zonder een goed uitgelijnd spouwmes, kunt u ernstig persoonlijk letsel oplopen.

⚠ LET OP: Verander NOOIT de instelling van het gereedschap terwijl het ingeschakeld is. Trek de stekker van het gereedschap uit het stopcontact voordat u instellingen maakt.

⚠ LET OP: Verwijder het spouwmes niet.

- **Fig.24:** 1. Beschermkap van het zaagblad
2. Spouwmes 3. Schroef

De positie van het spouwmes is in de fabriek afgesteld, zodat het zaagblad en het spouwmes in een rechte lijn staan. U dient dit echter af te stellen in het geval het zaagblad en het spouwmes niet in een rechte lijn staan. Draai de schroef op het inzetstuk van de tafel los en verwijder het vanaf de hoofdtafel. Draai de zeskantbouten (B) los en stel het montagegedeelte (steun) van de beschermkap van het zaagblad af zodat het spouwmes in een rechte lijn achter het zaagblad komt te staan. Draai daarna de zeskantbouten (B) weer vast om de steun vast te zetten en breng het inzetstuk van de tafel weer op zijn plaats aan.

- **Fig.25:** 1. Zaagblad 2. Deze twee spelingen moeten gelijk zijn. 3. Spouwmes 4. Zeskantbouten (B) 5. Zeskantbouten (A)

De speling tussen het spouwmes en de tanden van het zaagblad moet 4 tot 5 mm zijn. Draai de zeskantbouten (A) los, stel het spouwmes dienovereenkomstig af, en draai de zeskantbouten (A) goed vast. Monteer het inzetstuk van de tafel met behulp van de schroef en controleer vervolgens of de beschermkap van het zaagblad soepel werkt voordat u begint te zagen.

- **Fig.26:** 1. Spouwmes 2. Beschermkap van het zaagblad 3. Speling van 4 mm tot 5 mm

De breedtegeleider aanbrengen en afstellen

- **Fig.27:** 1. Haak 2. Knop 3. Geleiderail

1. Plaats de haak op de punt van de breedtegeleider in de achterste geleiderail van de tafel of hulptafel (rechts) en monteer en schuif de breedtegeleider naar voren zodat de geleiderhouder aangrijpt in de dichtstbijzijnde geleiderail.

2. Om de breedtegeleider langs de geleiderail zijwaarts te kunnen schuiven, zet u de knop op de geleiderhouder volledig terug zonder aan de hendel op de knop te trekken.

Om de breedtegeleider vast te zetten, kantelt u de knop op de geleiderhouder volledig.

3. Om de breedtegeleider te verwijderen, trekt u aan de hendel op de knop en kantelt u de knop volledig naar voren terwijl u aan de hendel trekt.

Om te controleren of de breedtegeleider parallel is met het zaagblad, zet u de breedtegeleider vast op 2 tot 3 mm vanaf het zaagblad. Breng het zaagblad tot in zijn hoogste stand omhoog. Markeer een van de zaagbladtanden met tekenkrijt. Meet afstanden (A) en (B) tussen de breedtegeleider en het zaagblad. Gebruik voor beide metingen de tand die met het tekenkrijt werd gemarkeerd. Deze twee gemeten afstanden moeten exact hetzelfde zijn. Ga als volgt te werk als de breedtegeleider niet parallel is met het zaagblad:

- **Fig.28:** 1. Schaalverdeling

1. Plaats de breedtegeleider in zijn verplaatsbare stand.

2. Draai de twee zeskantbouten op de breedtegeleider los met de bijgeleverde inbussleutel.

- **Fig.29:** 1. Zeskantbouten

3. Stel de breedtegeleider af totdat deze parallel is met het zaagblad.

4. Kantel de knop op de breedtegeleider omlaag in de richting van de gebruiker.

5. Draai de twee zeskantbouten op de breedtegeleider vast.

- **Fig.30**

⚠ LET OP: Zorg ervoor dat de breedtegeleider evenwijdig is met het zaagblad, omdat anders kans bestaat op gevaarlijke terugslag.

Als de breedtegeleider niet stevig kan worden vastgezet, stelt u deze af aan de hand van de volgende procedure.

1. Plaats de breedtegeleider op de tafel en kantel vervolgens de knop tot halverwege zijn slag (verplaatsbare stand). Draai schroef (A) vast tot de breedtegeleider niet meer kan worden verplaatst. Draai vervolgens 1/4 tot 1/2 slag los.

- **Fig.31:** 1. Breedtegeleider 2. Ontgrendelde stand
3. Verplaatsbare stand 4. Vergrendelde stand

- **Fig.32:** 1. Breedtegeleider 2. Verplaatsbare stand
3. Schroef (B) 4. Schroef (A)

2. Draai schroef (B) helemaal aan en draai deze vervolgens 2 volle slagen los.

3. Vergrendel de breedtegeleider door de knop op de geleiderhouder helemaal te kantelen (vergrendelde stand).

4. Controleer of de breedtegeleider kan worden geplaatst en verwijderd in de oorspronkelijke positie (ontgrendelde stand).

5. Controleer of de breedtegeleider soepel kan glijden zonder haperingen wanneer de knop halverwege staat.

KENNISGEVING: Wees voorzichtig de schroeven niet strakker aan te draaien dan is vermeldt in bovenstaande instructies. Als u zich hier niet aan houdt, kunnen de vastgezette onderdelen worden beschadigd.

Plaats de breedtegeleider vlak tegen de zijkant van het zaagblad. Zorg ervoor dat de aanwijzlijn op de geleiderhouder op de 0 van de schaalverdeling staat. Als de aanwijzlijn niet op de 0 van de schaalverdeling staat, draait u de schroef op de schaalplaat los en stelt u de schaalplaat af.

► Fig.33: 1. Aanwijzlijn 2. Schroeven

Een stofzuiger aansluiten

Door een Makita-stofzuiger of -stofvanger op het gereedschap aan te sluiten, kunt u nog schoner werken.

► Fig.34

BEDIENING

⚠ LET OP: Gebruik altijd hulpmiddelen zoals duwstokken en duwblokken wanneer het gevaar bestaat dat uw handen of vingers dichtbij het zaagblad komen.

⚠ LET OP: Houd het werkstuk altijd goed vast op de tafel met behulp van de breedtegeleider of verstekgeleider. Buig of verdraai het werkstuk niet tijdens het invoeren. Als het werkstuk gebogen of verdraaid wordt, kan gevaarlijke terugslag optreden.

⚠ LET OP: Trek NOOIT het werkstuk terug terwijl het zaagblad draait. Wanneer u het werkstuk wilt terugtrekken voordat de zaagsnede voltooid is, schakelt u eerst het gereedschap uit terwijl u het werkstuk stevig vasthoudt. Wacht totdat het zaagblad volledig tot stilstand is gekomen voordat u het werkstuk terugtrekt. Als u dat niet doet, kan gevaarlijke terugslag optreden.

⚠ LET OP: Verwijder NOOIT afgezaagd materiaal terwijl het zaagblad draait.

⚠ LET OP: Breng uw handen of vingers NOOIT in de zaaglijn van het zaagblad. Wees vooral voorzichtig tijdens schuin zagen.

⚠ LET OP: Zet de breedtegeleider altijd goed vast om gevaarlijke terugslag te voorkomen.

⚠ LET OP: Gebruik altijd hulpmiddelen, zoals duwstokken en duwblokken, wanneer u kleine of smalle werkstukken zaagt.

Hulpmiddelen

Duwstokken, duwblokken of een extra geleider zijn voorbeelden van hulpmiddelen. Gebruik ze om veilig zuivere zaagsneden te maken zonder dat de gebruiker met enig deel van zijn lichaam in aanraking komt met het zaagblad.

Duwblok

► Fig.35: 1. Zichtkant/zijkant parallel 2. Handgreep 3. Houtschroef 4. Vastlijmen

Gebruik een stuk multiplex van 19 mm dik. De handgreep moet in het midden van het stuk multiplex zitten. Bevestig met lijm en houtschroeven zoals afgebeeld. Het kleine stuk hout (9,5 mm x 8 mm x 50 mm) moet altijd aan het multiplex gelijmd worden om te voorkomen dat het zaagblad stomp wordt als de gebruiker per ongeluk in het duwblok zaagt. (Gebruik nooit spijkers in het duwblok.)

Extra geleider

► Fig.36: 1. Zichtkant/zijkant parallel

Maak een hulpgeleider van stukken multiplex van 9,5 mm en 19 mm dik.

Langszagen

⚠ LET OP: Voor langszagen moet de verstekgeleider vanaf de tafel worden verwijderd.

⚠ LET OP: Wanneer u lange of brede werkstukken zaagt, zorgt u altijd voor voldoende ondersteuning achter de tafel. Zorg ervoor dat een lange plank NIET op de tafel kan bewegen of schuiven. Hierdoor zal het zaagblad vastlopen en de kans op terugslag en persoonlijk letsel toenemen. De steun moet even hoog zijn als de tafel.

⚠ LET OP: Als u langszaagt combineert met schuin zagen, mag u dat niet doen aan de schuin aflopende kant van het zaagblad.

1. Stel de zaagdiepte iets groter in dan de dikte van het werkstuk.

► Fig.37

2. Plaats de breedtegeleider op de gewenste zaagbreedte en zet hem op zijn plaats vast door de knop te kantelen. Voordat u gaat langszagen, verzekert u zich ervan dat het achterste uiteinde van de breedtegeleider stevig is vastgezet. Als deze niet stevig genoeg is vastgezet, volgt u de procedures onder het kopje "De breedtegeleider aanbrengen en afstellen".

3. Schakel het gereedschap in en voer het werkstuk langzaam langs de breedtegeleider in het zaagblad.

Bij een zaagbreedte van 150 mm of meer, gebruikt u voorzichtig uw rechterhand om het werkstuk in te voeren. Gebruik uw linkerhand om het werkstuk op zijn plaats tegen de breedtegeleider te houden.

► Fig.38

Bij een zaagbreedte tussen 65 mm en 150 mm, gebruikt u de duwstok om het werkstuk in te voeren.

► Fig.39: 1. Duwstok

Bij een zaagbreedte kleiner dan 65 mm kan de duwstok niet gebruikt worden omdat de duwstok dan in aanraking komt met de beschermkap van het zaagblad. Gebruik een extra geleider en een duwblok. Bevestig de extra geleider aan de breedtegeleider met twee C-klemmen. Voer het werkstuk met de hand in totdat het uiteinde circa 25 mm verwijderd is van de voorkant van de tafel.

► Fig.40

Ga door met invoeren met behulp van het duwblok bovenop de extra geleider totdat de zaagsnede voltooid is.

► Fig.41: 1. Duwblok 2. Extra geleider

Afkorten

⚠ LET OP: Voor afkorten moet de breedtegeleider vanaf de tafel worden verwijderd.

⚠ LET OP: Wanneer u lange of brede werkstukken zaagt, zorgt u altijd voor voldoende ondersteuning aan beide zijkanen van de tafel. De steun moet even hoog zijn als de tafel.

⚠ LET OP: Houd uw handen uit de buurt van de zaaglijn van het zaagblad.

Verstekgeleider

► Fig.42: 1. Afkorten 2. Verstekzagen 3. Schuin zagen 4. Schuin en verstekzagen (hoeken)

Gebruik de verstekgeleider voor de 4 zaagmethoden in de bovenstaande afbeelding.

⚠ LET OP: Draai de knop van de verstekgeleider zorgvuldig vast.

⚠ LET OP: Voorkom, door goede klemvoorzieningen, dat het werkstuk en de geleider kruipen, in het bijzonder bij het zagen onder een hoek.

⚠ LET OP: NOOIT het deel van het werkstuk dat wordt afgezaagd vasthouden of vastpakken.

⚠ LET OP: Pas altijd de afstand tussen het uiteinde van de verstekgeleider en het zaagblad aan zodat deze nooit groter wordt dan 15 mm.

Aanslag van de verstekgeleider

► Fig.43: 1. Schroef van aanslag 2. Plaatje 3. Knop

De verstekgeleider is voorzien van aanslagen voor verstekhoeken van 90° en 45° rechts en links voor het snel instellen van verstekhoeken.

Om een verstekhoek in te stellen, draait u de knop van de verstekgeleider los.

Til het plaatje van de verstekgeleider op om traploos te kunnen instellen. Draai de verstekgeleider naar de gewenste verstekhoek. Zet het plaatje van de verstekgeleider terug op zijn oorspronkelijke plaats en draai de knop rechtsom stevig vast.

De verstekgeleider gebruiken

► Fig.44: 1. Groef 2. Verstekgeleider 3. Knop

Schuif de verstekgeleider in de brede groeven op de tafel. Draai de knop van de verstekgeleider los en lijn uit met de gewenste hoek (0° t/m 60°). Plaats het werkstuk strak langs de geleider en voer het werkstuk geleidelijk in het zaagblad.

Sub-geleider (verstekgeleider)

► Fig.45: 1. Sub-geleider

De sub-geleider op de verstekgeleider voorkomt dat het werkstuk schommelt. Draai de schroef op de verstekgeleider los en stel de positie van de sub-geleider af.

Het gereedschap dragen

► Fig.46

Zorg ervoor dat de stekker uit het stopcontact is getrokken.

Houd het gereedschap bij het dragen vast aan het onderdeel van het gereedschap dat is aangegeven in de afbeelding.

⚠ LET OP: Zet alle bewegende onderdelen vast alvorens het gereedschap te dragen.

⚠ LET OP: Voordat u het gereedschap draagt, verzekert u zich ervan dat de beschermkap van het zaagblad en hulpbeschermkap omlaag staan en de onderrand van de hulpbeschermkap de hoofdtafel raakt.

ONDERHOUD

⚠ LET OP: Zorg altijd dat het gereedschap is uitgeschakeld en zijn stekker uit het stopcontact is verwijderd alvorens te beginnen met inspectie of onderhoud.

KENNISGEVING: Gebruik nooit benzine, wasbenzine, thinner, alcohol en dergelijke. Hierdoor kunnen verkleuring, vervormingen en barsten worden veroorzaakt.

Reinigen

Verwijder af en toe zaagsel en spaanders van het gereedschap. Maak de beschermkap van het zaagblad en de bewegende onderdelen binnenin de tafelfirkelzaag zorgvuldig schoon.

Voor het verwijderen van zaagsel dat zich onder het zaagblad heeft opgehoopt, verwijdert u eerst het inzetstuk van de tafel en gebruikt u een persluchtpistool om het zaagsel weg te blazen uit de aansluiting voor een stofzuiger.

Smeren

Om de tafelfirkelzaag in optimale conditie te houden en om een maximale levensduur te garanderen, moet u de bewegende en roterende onderdelen regelmatig smeren en invetten.

Te smeren plaatsen:

- As met schroefdraad voor het omhoog brengen van het zaagblad
- Scharnier voor het roteren van het voetstuk
- Geleideassen voor omhoog brengen op de motor
- Tandwiel voor het omhoog brengen van het zaagblad
- Geleiderails voor de breedtegeleider
- As van de vergrendelhendels van de hulptafel (rechts)
- Schuivend onderdeel van de hulptafel (rechts)

De koolborstels vervangen

Controleer de koolborstels regelmatig. Vervang ze wanneer ze tot aan de slijtgrensmarkering zijn afgesleten. Houd de koolborstels schoon en zorg ervoor dat ze vrij kunnen bewegen in de houders. Beide koolborstels dienen tegelijkertijd te worden vervangen. Gebruik alleen identieke koolborstels.

► **Fig.47:** 1. Slijtgrensmarkering

1. Berg de hulptafel (rechts) op. Verwijder de breedtegeleider als deze is opgeborgen.
2. Zet de vergrendelhendel los en draai het handwiel tot het zaagblad onder een schuine hoek van 45° staat. Zet daarna de vergrendelhendel weer vast.

► **Fig.48:** 1. Breedtegeleider 2. Vergrendelhendel
3. Handwiel

3. Zet het gereedschap op zijn rechterzijkant.

► **Fig.49**

4. Draai de schroeven op de grondplaat los en verwijder deze.
 5. Maak de koolborsteldoppen los met behulp van een schroevendraaier en verwijder de versleten koolborstels.
- **Fig.50:** 1. Grondplaat 2. Koolborsteldop 3. Schroevendraaier
6. Plaats nieuwe koolborstels en bevestig de koolborsteldoppen.
 7. Bevestig de grondplaat met schroeven en zet het gereedschap voorzichtig rechtop. Berg de breedtegeleider op als deze werd verwijderd.

Om de VEILIGHEID en BETROUWBAARHEID van het gereedschap te handhaven, dienen alle reparaties, onderhoud of afstellingen te worden uitgevoerd bij een erkend Makita-servicecentrum of de Makita-fabriek, en altijd met gebruik van Makita-vervangingsonderdelen.

OPTIONELE ACCESSOIRES

⚠ LET OP: Deze accessoires of hulpstukken worden aanbevolen voor gebruik met het Makita gereedschap dat in deze gebruiksaanwijzing is beschreven. Bij gebruik van andere accessoires of hulpstukken bestaat het gevaar van persoonlijke letsels. Gebruik de accessoires of hulpstukken uitsluitend voor hun bestemde doel.

Wenst u meer bijzonderheden over deze accessoires, neem dan contact op met het plaatselijke Makita-servicecentrum.

- Stalen en hardmetalen zaagbladen
- Hulptafel (links)
- Hulptafel (achter)
- Breedtegeleider
- Verstekgeleider
- Versprongen sleutel 13-22
- Sleutel 19
- Inbussleutel 5
- Verbindingsstuk (voor aansluiting op stofvanger)
- Tafelcirkelzaagstatiefset

Raadpleeg de gebruiksaanwijzing voor het tafelcirkelzaagstatief dat is geleverd als optioneel accessoire.

OPMERKING: Sommige items op de lijst kunnen zijn inbegrepen in de doos van het gereedschap als standaard toebehoren. Deze kunnen van land tot land verschillen.






ESPECIFICACIONES

Modelo:		2704N
Agujero para eje (Específico para cada país)		30 mm / 25,4 mm
Diámetro del disco		260 mm
Capacidades de corte máx.	bisel de 0°	93 mm
	bisel de 45°	64 mm
Velocidad en vacío		5.200 min ⁻¹
Tamaño del banco (La x An)	con mesas secundarias (derecha) y (trasera)	1.045 mm x 1.066 mm (mesas extendidas) 665 mm x 753 mm (mesas recogidas)
	con mesa secundaria (derecha) sin mesa secundaria (trasera)	567 mm x 1.066 mm (mesa extendida) 567 mm x 753 mm (mesa recogida)
Dimensiones (La x An x Al) con mesa(s) sin extender	con mesas secundarias (derecha) y (trasera)	715 mm x 753 mm x 483 mm
	con mesa secundaria (derecha) sin mesa secundaria (trasera)	665 mm x 753 mm x 483 mm
Peso neto		35,2 kg - 37,0 kg
Clase de seguridad		▣/II

- Debido a nuestro continuado programa de investigación y desarrollo, las especificaciones aquí dadas están sujetas a cambios sin previo aviso.
- Las especificaciones pueden ser diferentes de país a país.
- El peso puede variar dependiendo del accesorio(s). La combinación menos pesada y la más pesada, de acuerdo con el procedimiento EPTA 01/2014, se muestran en la tabla.

Símbolos

A continuación se muestran los símbolos utilizados con este equipo. Asegúrese de que entiende su significado antes de usarlo.

	Lea el manual de instrucciones.
	DOBLE AISLAMIENTO
	Póngase gafas de seguridad.
	No ponga la mano o los dedos cerca del disco.
	Solamente para países de la UE ¡No deseche los aparatos eléctricos junto con los residuos domésticos! De conformidad con la Directiva Europea, sobre residuos de aparatos eléctricos y electrónicos y su aplicación de acuerdo con la legislación nacional, los aparatos eléctricos cuya vida útil haya llegado a su fin deberán ser recogidos por separado y trasladados a una planta de reciclaje que cumpla con las exigencias ecológicas.

Uso previsto

La herramienta ha sido prevista para cortar en madera. Con esta herramienta se pueden realizar cortes rectos, cortes en bisel, y cortes en inglete. Esta herramienta no ha sido diseñada para cortes no pasantes.

Alimentación

La herramienta deberá ser conectada solamente a una fuente de alimentación de la misma tensión que la indicada en la placa de características, y solamente puede ser utilizada con alimentación de CA monofásica. La herramienta tiene doble aislamiento y puede, por lo tanto, utilizarse también en tomas de corriente sin conductor de tierra.

Ruido

El nivel de ruido A-ponderado típico determinado de acuerdo con la norma EN62841:
 Nivel de presión sonora (L_{pA}) : 94 dB (A)
 Nivel de potencia sonora (L_{WA}) : 107 dB (A)
 Error (K) : 3 dB (A)

⚠ADVERTENCIA: Póngase protectores para oídos.

Declaración CE de conformidad

Para países europeos solamente

La declaración CE de conformidad está incluida como Anexo A de esta manual de instrucciones.

ADVERTENCIAS DE SEGURIDAD

Advertencias de seguridad para herramientas eléctricas en general

⚠️ ADVERTENCIA: Lea todas las advertencias de seguridad, instrucciones, ilustraciones y especificaciones provistas con esta herramienta eléctrica. Si no sigue todas las instrucciones indicadas abajo podrá resultar en una descarga eléctrica, un incendio y/o heridas graves.

Guarde todas las advertencias e instrucciones para futuras referencias.

El término "herramienta eléctrica" en las advertencias se refiere a su herramienta eléctrica de funcionamiento con conexión a la red eléctrica (con cable) o herramienta eléctrica de funcionamiento a batería (sin cable).

Instrucciones de seguridad para sierras de banco

Advertencias relacionadas con la protección

1. **Mantenga los protectores en su sitio. Los protectores deben estar en estado de funcionamiento y debidamente montados.** Un protector que esté flojo, dañado, o que no esté funcionando correctamente deberá ser reparado o reemplazado.
2. **Asegúrese de que el disco no está tocando el protector, el abridor o la pieza de trabajo antes de activar el interruptor.** Un contacto inadvertido de estos elementos con el disco podría ocasionar una condición peligrosa.
3. **Ajuste el abridor como se describe en este manual de instrucciones.** Una separación, posición y alineación incorrectas pueden hacer que el abridor resulte ineficaz en reducir la probabilidad de contragolpe.
4. **Para que el abridor y los trinquetes anti-contragolpe funcionen, deben estar acoplados en la pieza de trabajo.** El abridor y los trinquetes anti-contragolpe son ineficaces cuando se cortan piezas de trabajo que son demasiado cortas para ser acopladas con el abridor y los trinquetes anti-contragolpe. En estas condiciones el abridor y los trinquetes anti-contragolpe no pueden evitar un contragolpe.
5. **Utilice el disco apropiado para el abridor.** Para que el abridor funcione debidamente, el diámetro del disco debe corresponder con el abridor apropiado y el cuerpo del disco debe ser más fino que el grosor del abridor y la anchura de corte del disco debe ser más ancha que el grosor del abridor.

Advertencias sobre los procedimientos de corte

1. **⚠️ PELIGRO: No ponga nunca los dedos o las manos cerca del disco o en línea con el disco.** Un momento de inatención o un deslizamiento podría dirigir su mano hacia el disco y resultar en heridas personales graves.
2. **Desplace la pieza de trabajo hacia el disco solo en sentido contrario a la dirección de giro.** Si desplaza la pieza de trabajo hacia el disco en la misma dirección que gira el disco por encima de la mesa puede resultar en que la pieza de trabajo, y su mano, sean arrastradas hacia el disco.
3. **No utilice nunca el graduador de inglete para desplazar la pieza de trabajo hacia el disco cuando sierre al hilo y no utilice la guía de corte al hilo como tope de longitud cuando haga corte transversal con el graduador de inglete.** Si guía la pieza de trabajo con la guía de corte al hilo y el graduador de inglete al mismo tiempo aumentará la probabilidad de que el disco se estanque y se produzca un contragolpe.
4. **Cuando corte al hilo, aplique siempre la fuerza de desplazamiento de la pieza de trabajo entre la guía y el disco. Utilice un listón de empuje cuando la distancia entre la guía y el disco sea inferior a 150 mm, y un bloque de empuje cuando la distancia sea inferior a 50 mm.** Los dispositivos de "ayuda en el trabajo" mantendrán sus manos a una distancia segura del disco.
5. **Utilice solamente el listón de empuje provisto por el fabricante o construido de acuerdo con las instrucciones.** Este listón de empuje proporciona a la mano suficiente distancia desde el disco.
6. **No utilice nunca un listón de empuje dañado o cortado.** Un listón de empuje dañado se puede romper ocasionando que su mano se deslice hacia el disco.
7. **No realice ninguna operación "a pulso". Utilice siempre la guía de corte al hilo o bien el graduador de inglete para posicionar y guiar la pieza de trabajo.** "A pulso" significa utilizar las manos para apoyar o guiar la pieza de trabajo, en lugar de una guía de corte al hilo o el graduador de inglete. El serrado a pulso dará lugar a una desalineación, estancamiento y contragolpe.
8. **No extienda nunca la mano alrededor o por encima de un disco que está girando.** Extender la mano para coger una pieza de trabajo podrá dar lugar a un contacto accidental con el disco en movimiento.
9. **Proporcione un apoyo auxiliar para la pieza de trabajo en la parte trasera y/o laterales del banco de sierra para piezas de trabajo largas y/o anchas para mantenerlas niveladas.** Una pieza de trabajo larga y/o ancha tiene la tendencia a pivotar sobre el borde de la mesa, ocasionando la pérdida del control, el estancamiento del disco y un contragolpe.
10. **Desplace la pieza de trabajo hacia el disco a una velocidad uniforme. No doble o retuerza la pieza de trabajo. Si se produce un atasco, apague la herramienta inmediatamente, desenchufe la herramienta y después despeje el atasco.** El atasco del disco con la pieza de trabajo puede ocasionar un contragolpe o que el motor se cale.

11. **No retire los trozos de material cortado mientras la sierra está en marcha.** El material puede quedar atrapado entre la guía y el disco o dentro del protector de disco y tirar de sus dedos hacia el disco. Apague la sierra y espere hasta que el disco se detenga antes de retirar el material.
12. **Utilice una guía auxiliar en contacto con la parte superior de la mesa cuando corte al hilo piezas de trabajo de menos de 2 mm de grosor.** Una pieza de trabajo fina puede hacer cuña debajo de la guía de corte al hilo y crear un contragolpe.
9. **Cuando vuelva a poner en marcha la sierra con el disco dentro de la pieza de trabajo, centre el disco en la hendidura de forma que los dientes de sierra no estén enganchados en el material.** Si el disco se traba, puede levantar la pieza de trabajo y ocasionar contragolpe cuando se vuelve a poner en marcha la sierra.
10. **Mantenga los discos limpios, afilados, y con suficiente triscado. No utilice nunca discos combados o discos con dientes agrietados o rotos.** Los discos afilados y debidamente triscados minimizan el trabamiento, estancamiento y contragolpe.

Causas del contragolpe y advertencias relacionadas

El contragolpe es una reacción repentina de la pieza de trabajo debida a un pinzamiento o atasco del disco o a una desalineación de la línea de corte en la pieza de trabajo con respecto al disco o cuando una parte de la pieza de trabajo se traba entre el disco y la guía de corte al hilo u otro objeto fijo.

Con más frecuencia durante el contragolpe, la pieza de trabajo se levanta de la mesa por la porción trasera del disco y sale despedida hacia el operario.

El contragolpe es el resultado de un mal uso de la sierra y/o a procedimientos de operación incorrectos y se puede evitar tomando las precauciones debidas como se indica abajo.

1. **No se ponga nunca directamente el línea con el disco. Posicione siempre su cuerpo en el mismo lado del disco que la guía.** El contragolpe puede lanzar la pieza de trabajo a gran velocidad hacia cualquiera que esté enfrente y en línea con el disco.
2. **No extienda nunca la mano por encima o por detrás del disco para tirar de, o apoyar, la pieza de trabajo.** Se puede producir un contacto accidental con el disco o un contragolpe puede arrastrar sus dedos hacia el disco.
3. **Nunca sujete y presione la pieza de trabajo que está siendo cortada contra el disco que está girando.** Empujar la pieza de trabajo que está siendo cortada contra el disco creará una condición de trabamiento y contragolpe.
4. **Alinee la guía para que quede paralela con el disco.** Una guía desalineada pinzará la pieza de trabajo contra el disco y creará contragolpe.
5. **Utilice precaución adicional cuando haga un corte en áreas ciegas de piezas de trabajo ensambladas.** El disco que sobresale puede cortar objetos que pueden ocasionar contragolpe.
6. **Apoye los paneles grandes para minimizar el riesgo de pinzamiento del disco y contragolpe.** Los paneles grandes tienden a combarse por su propio peso. Se debe colocar apoyo(s) debajo de todas las porciones del panel que sobresalgan de la parte superior de la mesa.
7. **Utilice precaución adicional cuando corte una pieza de trabajo que esté retorcida, nudosa, combada o que no tenga el borde recto para guiarla con un graduador de inglete o a lo largo de la guía.** Una pieza de trabajo combada, nudosa, o retorcida será inestable y ocasionará la desalineación de la hendidura con el disco, estancamiento y contragolpe.
8. **No corte nunca más de una pieza de trabajo, apiladas vertical u horizontalmente.** El disco podría tomar una o más piezas y ocasionar contragolpe.
5. **Apague la sierra de banco y desconecte el cable de alimentación cuando retire el inserto de mesa, cambie el disco o haga ajustes al abridor, trinquetes anti-contragolpe o protector de disco, y cuando la máquina sea dejada desatendida.** Las medidas preventivas evitarán accidentes.
2. **No deje nunca la sierra de banco en marcha desatendida. Apague la herramienta y no la deje hasta se haya detenido completamente.** Una sierra en marcha desatendida es un peligro incontrolado.
3. **Ubique la sierra de banco en un área bien iluminada y nivelada donde pueda mantener los pies sobre suelo firme y el equilibrio. Deberá ser instalada en un área que proporcione suficiente espacio para manejar fácilmente el tamaño de su pieza de trabajo.** Las áreas confinadas, oscuras, y los suelos resbaladizos y desnivelados atraen accidentes.
4. **Limpie y retire con frecuencia el serrín de debajo del banco de sierra y/o el dispositivo de recogida de polvo.** El serrín acumulado es combustible y se puede prender por sí mismo.
5. **La sierra de banco debe estar sujeta.** Una sierra de banco que no esté sujeta debidamente se puede mover o volcar.
6. **Retire las herramientas, restos de madera, etc., de la mesa antes de encender la sierra de banco.** Una distracción o un atasco potencial puede ser peligroso.
7. **Utilice siempre discos con agujero para eje del tamaño y forma correctos (diamante en oposición a redondo).** Los discos que no correspondan con el mecanismo de montaje de la sierra se descentrarán, ocasionando la pérdida de control.
8. **No utilice nunca medios de montaje de disco dañados o incorrectos tales como bridas, arandelas de disco, pernos o tuercas.** Estos medios de montaje han sido diseñados especialmente para su sierra, para una operación de forma segura y un rendimiento óptimo.
9. **No se suba nunca encima de la sierra de banco, no la utilice como taburete donde subirse.** Si la herramienta se vuelca o si se hace contacto accidental con el implemento de corte se podrán producir heridas graves.
10. **Asegúrese de que el disco está instalado para girar en la dirección debida. No utilice muelas de esmerilar, cepillos de alambres, o muelas abrasivas, en una sierra de banco.** La instalación incorrecta del disco o la utilización de accesorios no recomendados puede ocasionar heridas graves.

Advertencias sobre el procedimiento de operación de la sierra de banco

Instrucciones adicionales

1. Utilice solamente discos que tengan marcada una velocidad igual o mayor que la velocidad marcada en la herramienta.
2. Seleccione el disco correcto para el material que va a cortar.
3. Póngase guantes cuando maneje discos.
4. Limpie el eje, las bridas (especialmente la superficie de instalación) y la tuerca hexagonal antes de instalar el disco. Una mala instalación puede ocasionar vibración/bamboleo o deslizamiento del disco.
5. No corte objetos de metal tales como clavos y tornillos. Inspeccione la pieza de trabajo por si tiene clavos, tornillos y otras materias extrañas y retirelos todos antes de empezar la operación.
6. No permita NUNCA que alguien se ponga en línea con la trayectoria del disco.
7. Antes de utilizar la herramienta en la pieza de trabajo definitiva, déjela funcionar durante un rato. Observe para ver si se producen vibraciones o bamboleos que puedan indicar que el disco está mal instalado o mal equilibrado.
8. La herramienta no debe ser utilizada para acanalar, machimbrar o ranurar.
9. Reemplace el inserto de mesa cuando esté gastado.
10. Guarde siempre el listón de empuje cuando no lo esté usando.
11. Extraiga cualquier nudo flojo de la pieza de trabajo ANTES de comenzar a cortar.
12. El polvo de las operaciones algunas veces contiene productos químicos que se sabe ocasionan cáncer, defectos de nacimiento u otros peligros relacionados con la reproducción. Algunos ejemplos de estos productos químicos son:
 - plomo de materiales pintados con pinturas que contienen plomo y,
 - arsénico y cromo de maderas tratadas químicamente.El riesgo a causa de estas exposiciones varía, dependiendo de la frecuencia con la que realice este tipo de trabajo. Para reducir la exposición a estos productos químicos: trabaje en un área bien ventilada y póngase el equipo de seguridad indicado, como esas máscaras contra el polvo que están especialmente diseñadas para filtrar partículas microscópicas.
13. Asegúrese siempre de que el protector secundario está bajado y a ras contra el banco de sierra antes de enchufar la herramienta.
14. Inspeccione los cables de extensión periódicamente y reemplácelos si están dañados.
15. (Para países de Europa solamente) Utilice solamente discos recomendados por el fabricante y que cumplan con la norma EN847-1.

INSTALACIÓN

Posicionamiento de la sierra de banco

- **Fig.1:** 1. Diámetro de agujero 8 mm
- **Fig.2:** 1. Arandela estándar de 6 mm 2. Tornillo para madera N.º 10 de 40 mm de longitud mínima
- **Fig.3:** 1. Arandela estándar de 6 mm 2. Perno y tuerca de montaje de 6 mm apretados firmemente

Ubique la sierra de banco en un área bien iluminada y nivelada donde pueda mantener los pies sobre suelo firme y el equilibrio. Deberá ser instalada en un área que deje suficiente espacio para manejar fácilmente el tamaño de sus piezas de trabajo. La sierra de banco deberá ser sujeta con cuatro tornillos o pernos al banco de trabajo o soporte de sierra de banco utilizando los agujeros provistos en la parte inferior de la sierra de banco. Cuando sujete la sierra de banco en el banco de trabajo, asegúrese de que haya una abertura en la parte superior del banco de trabajo del mismo tamaño que la abertura en la parte inferior de sierra de banco de forma que el serrín pueda caer a través de ella.

Si durante la operación la sierra de banco muestra alguna tendencia a volcarse, deslizarse o moverse, el banco de trabajo o el soporte de sierra de banco deberá ser sujetado al suelo.

Cómo guardar los accesorios

- **Fig.4:** 1. Graduador de inglete
- **Fig.5:** 1. Guía de corte al hilo 2. Listón de empuje 3. Trinquetes anti-contragolpe

El graduador de inglete, el disco y las llaves se pueden guardar en el lado izquierdo de la base. Además, la guía de corte al hilo, el listón de empuje, y los trinquetes anti-contragolpe se pueden guardar en el lado derecho de la base.

DESCRIPCIÓN DEL FUNCIONAMIENTO

⚠️ PRECAUCIÓN: Asegúrese siempre de que la herramienta esté apagada y desenchufada antes de intentar realizar cualquier tipo de ajuste o comprobación en ella.

Protector de disco

⚠️ ADVERTENCIA: No anule o retire nunca el protector de disco. Un disco expuesto como resultado de un protector anulado puede resultar en heridas personales graves durante la operación.

⚠️ ADVERTENCIA: No utilice nunca la herramienta si el protector de disco está dañado, defectuoso o ha sido quitado. La utilización de la herramienta con protector dañado, defectuoso o retirado puede resultar en heridas personales graves.

► Fig.6: 1. Protector de disco 2. Protector secundario

Cuando corte, empuje la pieza de trabajo hacia el disco con el borde inferior del protector secundario haciendo contacto con la mesa principal. Conforme la pieza de trabajo se desplaza hacia el disco, el protector de disco y el protector secundario sobrepasan el borde de la pieza de trabajo.

En beneficio de su seguridad personal, mantenga siempre el protector de disco y el protector secundario en buen estado. Cualquier operación irregular del protector de disco y el protector secundario deberá ser corregida inmediatamente. Compruebe para asegurarse de que el protector de disco y el protector secundario están bajados y el borde inferior del protector secundario hace contacto con la mesa principal cuando la pieza de trabajo no está siendo desplazada hacia el disco.

Si las partes transparentes se ensucian, o si se adhieren a ellas serrín de tal forma que no pueda verse fácilmente el disco y/o la pieza de trabajo, desenchufe la herramienta y limpie las partes transparentes cuidadosamente con un paño húmedo. No utilice disolventes ni ningún producto de limpieza a base de petróleo porque si lo hace puede causar daño a las partes. Si las partes transparentes se descoloran con el paso del tiempo o por la exposición a los rayos ultravioleta, póngase en contacto con el centro de servicio Makita para adquirir partes nuevas. NO ANULE O RETIRE EL PROTECTOR DE DISCO O EL PROTECTOR SECUNDARIO.

Ajuste de la profundidad de corte

► Fig.7: 1. Manija

La profundidad de corte se puede ajustar girando la manija. Gire la manija hacia la derecha para subir el disco o hacia la izquierda para bajarlo.

NOTA: Utilice un ajuste de poca profundidad cuando corte materiales finos para obtener un corte limpio.

Ajuste del ángulo de bisel

► Fig.8: 1. Palanca de bloqueo 2. Puntero de flecha 3. Rueda de mano

Afloje la palanca de bloqueo girándola hacia la izquierda y gire la rueda de mano hasta obtener el ángulo deseado (0° - 45°). El ángulo de bisel lo indica el puntero de flecha. Después de obtener el ángulo deseado, apriete la palanca de bloqueo girándola hacia la derecha para fijar el ajuste.

⚠️ PRECAUCIÓN: Después de ajustar el ángulo de bisel, asegúrese de apretar la palanca de bloqueo firmemente.

Ajuste de los topes de seguridad

► Fig.9: 1. Tornillo de regulación a 90° 2. Tornillo de regulación a 45°

► Fig.10

Esta herramienta está equipada con topes de seguridad a 90° y 45° con respecto a la superficie de la mesa. Para comprobar y ajustar los topes de seguridad, proceda la forma siguiente:

Mueva la rueda de mano tanto como sea posible girándola. Ponga una escuadra sobre la mesa y compruebe para ver si el disco está a 90° o 45° con respecto a la superficie de la mesa. Si el disco está a un ángulo mostrado en la Fig. A, gire los tornillos de regulación hacia la derecha; si está a un ángulo mostrado en la Fig. B, gire los tornillos de regulación hacia la izquierda para ajustar los topes de seguridad. Después de ajustar los topes de seguridad, ajuste el disco a 90° con respecto a la superficie de la mesa. Después ajuste el puntero de flecha de forma que su borde derecho esté alineado con la graduación de 0°.

► Fig.11: 1. Puntero de flecha

Accionamiento del interruptor

► Fig.12: 1. Interruptor

⚠️ PRECAUCIÓN: Antes de la operación, asegúrese de que la herramienta se enciende y apaga.

Para poner en marcha la herramienta, presione el botón de encendido (I). Para detenerla, presione el botón de apagado (O).

Guía secundaria (guía de corte al hilo)

► Fig.13: 1. Tornillo de fijación 2. Guía de corte al hilo 3. Guía secundaria 4. Riel

Si la guía de corte al hilo se acerca al disco, utilice la guía secundaria para apoyar la pieza de trabajo. Afloje el tornillo de fijación y deslice la guía secundaria hasta sacarla del riel. Coloque la guía secundaria como se muestra en la ilustración y apriete los tornillos de fijación.

Cuando la guía de corte al hilo sea colocada en el lado izquierdo del disco, cambie la posición de la guía secundaria. Retire los tornillos de fijación, la guía secundaria, y el riel de la guía de corte al hilo. Coloque flojamente el riel en el lado derecho de la guía de corte al hilo utilizando los tornillos de fijación retirados. Después de eso, coloque la guía secundaria y apriete los tornillos de fijación.

► Fig.14: 1. Guía de corte al hilo 2. Guía secundaria 3. Tornillo de fijación 4. Riel

Mesa secundaria (derecha)

► **Fig.15:** 1. Palanca

► **Fig.16:** 1. Mesa secundaria (derecha)

Esta herramienta está provista de la mesa secundaria (derecha) en el lado derecho de la mesa principal. Para utilizar la mesa secundaria (derecha), suba ambas palancas del lado delantero derecho, extraiga completamente la mesa (derecha) y después baje las palancas para sujetarla.

Cuando utilice la mesa secundaria (derecha), sitúe la placa de escala en la mesa secundaria después de aflojar el tornillo en ella con un destornillador de forma que quede correlativa con la placa de escala de la mesa principal.

► **Fig.17:** 1. Placa de escala 2. Tornillo

Mesa secundaria (trasera)

Accesorios opcionales

► **Fig.18:** 1. Mesa secundaria (trasera) 2. Tornillo

Para utilizar la mesa secundaria (trasera), afloje los tornillos de los lados izquierdo y derecho de debajo de la mesa y tire de ella hacia atrás hasta la longitud deseada. En la longitud deseada, apriete los tornillos firmemente.

NOTA: Cuando utilice la mesa secundaria (trasera) durante la utilización de la guía de corte al hilo, extraiga la mesa secundaria (trasera) más de 50 mm de forma que no golpee contra el extremo superior de la guía de corte al hilo.

Mesa secundaria (izquierda)

Accesorios opcionales

► **Fig.19:** 1. Tornillo 2. Mesa secundaria (izquierda)

La mesa secundaria (izquierda) (accesorio opcional) se puede instalar en el lado izquierdo de la mesa para obtener un espacio más amplio.

Trinquetes anti-contragolpe

ADVERTENCIA: Utilice los trinquetes anti-contragolpe siempre que sea posible durante las operaciones de corte a través. Esto ayudará a evitar que el material sea empujado hacia adelante contra el operario durante una situación de contragolpe lo que podría resultar en heridas personales graves.

► **Fig.20:** 1. Trinquete anti-contragolpe 2. Pinza

Para retirar los trinquetes anti-contragolpe de la herramienta, afloje la pinza de la raíz de los trinquetes anti-contragolpe y después extráigalos. Para instalarlos, realice el procedimiento de desmontaje a la inversa.

MONTAJE

PRECAUCIÓN: Asegúrese siempre de que la herramienta está apagada y desenchufada antes de realizar cualquier trabajo en la herramienta.

Instalación o desmontaje del disco

PRECAUCIÓN: Asegúrese siempre de que la herramienta está apagada y desenchufada antes de instalar o desmontar el disco.

PRECAUCIÓN: Utilice solamente la llave Makita provista para instalar o retirar el disco. De lo contrario podrá resultar en un apriete excesivo o insuficiente del perno hexagonal. Esto podría ocasionarle heridas.

PRECAUCIÓN: Utilice el disco siguiente. No utilice discos que no cumplan con las características especificadas en estas instrucciones.

Diámetro	Grosor del disco	Hendidura
260 mm	Menos de 1,9 mm	Menos de 2,1 mm

1. Afloje el tornillo del inserto de mesa y retírelo.
2. Sujete la brida exterior con la llave acodada y afloje la tuerca hexagonal girándola hacia la izquierda con la llave. Después retire la brida exterior.
► **Fig.21:** 1. Llave acodada 2. Tuerca hexagonal 3. Llave
3. Monte la brida interior, el anillo, el disco, la brida exterior y la tuerca hexagonal en el eje, asegurándose de que los dientes del disco están apuntando hacia abajo en la parte delantera de la mesa. Instale siempre la tuerca hexagonal con su lado embudido orientado hacia la brida exterior.
► **Fig.22:** 1. Brida interior 2. Anillo 3. Disco 4. Brida exterior 5. Tuerca hexagonal

PRECAUCIÓN: Asegúrese de que el disco está instalado de forma que los dientes estén alineados en la dirección de corte (giro).

PRECAUCIÓN: Compruebe el diámetro del agujero para eje del disco antes de instalar el disco. Utilice siempre el anillo correcto para el agujero para eje del disco que piensa utilizar. El tamaño del anillo(s) suministrado varía dependiendo del país.

- Para herramienta para un disco con agujero de 30 mm de diámetro, se proporciona el anillo de 30 mm de diámetro exterior.
- Para herramienta para un disco con agujero de 25,4 mm y 25 mm de diámetro, se proporcionan los anillos plateado y negro. Utilice el anillo plateado para el disco con agujero de 25,4 mm de diámetro y el anillo negro para el disco con agujero de 25 mm de diámetro.

4. Para sujetar el disco en su sitio, sujete la brida exterior con la llave acodada, después apriete la tuerca hexagonal girándola hacia la derecha con la llave. **ASEGÚRESE DE APRETAR LA TUERCA HEXAGONAL FIRMEMENTE.**

► **Fig.23:** 1. Llave acodada 2. Llave

⚠PRECAUCIÓN: Mantenga la superficie de la brida limpia de suciedad u otra materia adherente; podría ocasionar deslizamiento del disco.

⚠PRECAUCIÓN: Asegúrese de sujetar la tuerca hexagonal con cuidado con la llave. Si su asimiento se desliza, la llave podría salirse de la tuerca hexagonal, y su mano podría golpear los bordes afilados del disco.

5. Coloque el inserto de mesa en su sitio con el tornillo.

Ajuste del abridor

⚠PRECAUCIÓN: Si el disco y el abridor no están alineados debidamente, podrá resultar en una condición de pinzamiento peligrosa durante la operación. Asegúrese de que están alineados debidamente. Podría sufrir heridas personales graves mientras utiliza la herramienta sin el abridor alineado debidamente.

⚠PRECAUCIÓN: No haga NUNCA ningún ajuste mientras la herramienta está en marcha. Desconecte la herramienta antes de hacer cualquier ajuste.

⚠PRECAUCIÓN: No retire el abridor.

- **Fig.24:** 1. Protector de disco 2. Abridor 3. Tornillo

La posición del abridor se ajusta en fábrica de forma que el disco y el abridor estarán en línea recta. Sin embargo, necesitará ajustarla si el disco y el abridor no están en línea recta.

Afloje el tornillo del inserto de mesa y retírelo de la mesa principal. Afloje los pernos hexagonales (B) y ajuste la porción de montaje (puntal) del protector de disco de forma que el abridor esté alineado directamente detrás del disco. Después apriete los pernos hexagonales (B) para sujetar el puntal y ponga el inserto de mesa en su sitio.

- **Fig.25:** 1. Disco 2. Estas dos separaciones deberán ser iguales. 3. Abridor 4. Pernos hexagonales (B) 5. Pernos hexagonales (A)

Debe haber una separación de unos 4 - 5 mm entre el abridor y los dientes del disco. Afloje los pernos hexagonales (A), ajuste el abridor en conformidad y apriete los pernos hexagonales (A) firmemente. Coloque el inserto de mesa en la mesa con el tornillo, después compruebe para ver que el protector de disco funciona suavemente antes de cortar.

- **Fig.26:** 1. Abridor 2. Protector de disco
3. Separación de 4 mm - 5mm

Instalación y ajuste de la guía de corte al hilo

- **Fig.27:** 1. Gancho 2. Pomo 3. Riel guía

1. Encaje el gancho de la punta de la guía de corte al hilo en el riel guía distante de la mesa o mesa secundaria (derecha) e instale y empuje la guía de corte al hilo hacia adelante de forma que el soporte de la guía se acople con el riel guía más cercano.

2. Para deslizar la guía de corte al hilo en el riel guía lateralmente, retorne completamente el pomo del soporte de la guía sin tirar de la palanca del pomo.

Para sujetar la guía de corte al hilo, pivote completamente el pomo del soporte de la guía.

3. Para retirar la guía de corte al hilo, tire de la palanca del pomo y pivote completamente el pomo hacia adelante mientras tira de la palanca.

Para comprobar si la guía de corte al hilo está paralela con el disco, sujete la guía de corte al hilo a 2 - 3 mm del disco. Suba el disco hasta la elevación máxima. Marque uno de los dientes del disco con una tiza. Mida las distancias (A) y (B) entre la guía de corte al hilo y el disco. Tome ambas mediciones utilizando el diente marcado con la tiza. Estas dos mediciones deberán ser idénticas. Si la guía de corte al hilo no está paralela con el disco, proceda de la forma siguiente:

- **Fig.28:** 1. Escala

1. Posicione la guía de corte al hilo en la posición de deslizamiento.

2. Afloje los dos pernos hexagonales de la guía de corte al hilo con la llave hexagonal provista.

- **Fig.29:** 1. Pernos hexagonales

3. Ajuste la guía de corte al hilo hasta que quede paralela con el disco.

4. Pivote hacia abajo el pomo de la guía de corte al hilo hacia el operario.

5. Apriete los dos pernos hexagonales de la guía de corte al hilo.

- **Fig.30**

⚠PRECAUCIÓN: Asegúrese de ajustar la guía de corte al hilo de forma que esté paralela con el disco, o podrá ocurrir una condición de contragolpe peligrosa.

Cuando la guía de corte al hilo no se pueda sujetar sólidamente, ajústela de acuerdo con el procedimiento siguiente.

1. Ajuste la guía de corte al hilo en la mesa y después pivote el pomo a la mitad de su recorrido (posición de movimiento). Apriete el tornillo (A) hasta que la guía de corte al hilo esté inmovilizada. Después afloje de un 1/4 a 1/2 de vuelta.

- **Fig.31:** 1. Guía de corte al hilo 2. Posición liberada
3. Posición de movimiento 4. Posición bloqueada

- **Fig.32:** 1. Guía de corte al hilo 2. Posición de movimiento 3. Tornillo (B) 4. Tornillo (A)

2. Apriete el tornillo (B) completamente y después aflojelo unas 2 vueltas completas.

3. Bloquee la guía de corte al hilo pivotando completamente el pomo del soporte de la guía (posición bloqueada).

4. Asegúrese de que la guía de corte al hilo se puede instalar y retirar en la posición original (posición liberada).

5. Asegúrese de que la guía de corte al hilo se puede deslizar suavemente sin tambalear cuando el pomo está a mitad de su recorrido.

AVISO: Tenga cuidado de no apretar los tornillos con más de la cantidad de apriete especificada en las instrucciones de arriba. En caso contrario podrá dañar las partes apretadas.

Lleve la guía de corte al hilo a ras contra el lado del disco. Asegúrese de que la línea guía del soporte de la guía apunta a la graduación 0. Si la línea guía no apunta a la graduación 0, afloje el tornillo de la placa de escala y ajuste la placa de escala.

► Fig.33: 1. Línea guía 2. Tornillos

Conexión a un aspirador

Se pueden realizar operaciones de corte más limpias conectando la herramienta a un aspirador o colector de polvo Makita.

► Fig.34

OPERACIÓN

⚠PRECAUCIÓN: Utilice siempre “asistentes de trabajo” tales como listones de empuje y bloques de empuje cuando exista un peligro de que sus manos o dedos puedan acercarse al disco.

⚠PRECAUCIÓN: Sujete siempre la pieza de trabajo firmemente con la mesa y la guía de corte al hilo o el graduador de inglete. No la doble o retuerza mientras la avanza hacia el disco. Si la pieza de trabajo se dobla o retuerce, podrán ocurrir contragolpes peligrosos.

⚠PRECAUCIÓN: No retire NUNCA la pieza de trabajo mientras el disco está en marcha. Si tiene que retirar la pieza de trabajo antes de completar el corte, primero apague la herramienta mientras sujeta la pieza de trabajo firmemente. Espere hasta que el disco se haya detenido completamente antes de retirar la pieza de trabajo. En caso contrario podrá ocasionar contragolpes peligrosos.

⚠PRECAUCIÓN: No retire NUNCA trozos de material cortado mientras el disco está en marcha.

⚠PRECAUCIÓN: No ponga NUNCA sus manos o dedos en la trayectoria del disco. Tenga cuidado especial con los cortes en bisel.

⚠PRECAUCIÓN: Sujete siempre la guía de corte al hilo firmemente, o podrán ocurrir contragolpes peligrosos.

⚠PRECAUCIÓN: Utilice siempre “asistentes de trabajo” tales como listones de empuje y bloques de empuje cuando corte piezas de trabajo pequeñas o estrechas.

Asistentes de trabajo

Los listones de empuje, los bloques de empuje o la guía auxiliar son tipos de “asistentes de trabajo”. Utilícelos para hacer cortes con seguridad y seguros sin necesidad de que el operario tenga que tocar el disco con ninguna parte del cuerpo.

Bloque de empuje

► Fig.35: 1. Cara/borde paralelos 2. Manija 3. Tornillo para madera 4. Pegados juntos

Utilice una pieza de madera contrachapada de 19 mm. La manija deberá estar en el centro de la pieza de madera contrachapada. Fije con cola y tornillos para madera como se muestra. A la madera contrachapada se debe pegar siempre una pieza pequeña de madera de 9,5 mm x 8 mm x 50 mm para evitar que el disco se embote si el operario corta el bloque de empuje por error. (No utilice nunca clavos en el bloque de empuje).

Guía auxiliar

► Fig.36: 1. Cara/borde paralelos

Haga la guía auxiliar de piezas de madera contrachapada de 9,5 mm y 19 mm.

Corte al hilo

⚠PRECAUCIÓN: Cuando corte al hilo, retire el graduador de inglete de la mesa.

⚠PRECAUCIÓN: Cuando corte piezas de trabajo largas o grandes, provea siempre apoyo adecuado detrás de la mesa. NO permita que un tablero largo se mueva o desplace en la mesa.

Esto ocasionará que el disco se trabe y aumentará la probabilidad de contragolpe y heridas personales. El apoyo deberá estar a la misma altura que la mesa.

⚠PRECAUCIÓN: No realice corte al hilo en bisel en el lado de biselado del disco.

1. Ajuste la profundidad de corte un poco más alta que el grosor de la pieza de trabajo.

► Fig.37

2. Posicione la guía de corte al hilo a la anchura deseada de corte al hilo y bloquéela en su sitio pivotando el pomo. Antes de cortar al hilo, asegúrese de que el extremo trasero de la guía de corte al hilo está sujeta firmemente. Si no está suficientemente sujeta, siga los procedimientos de la sección titulada “Instalación y ajuste de la guía de corte al hilo”.

3. Encienda la herramienta y desplace la pieza de trabajo con cuidado hacia el disco a lo largo de la guía de corte al hilo.

Cuando la anchura de corte al hilo sea de 150 mm o más, utilice con cuidado su mano derecha para desplazar la pieza de trabajo hacia el disco. Utilice la mano izquierda para sujetar la pieza de trabajo en posición contra la guía de corte al hilo.

► Fig.38

Cuando la anchura de corte al hilo sea de 65 mm - 150 mm, utilice el listón de empuje para desplazar la pieza de trabajo hacia el disco.

► Fig.39: 1. Listón de empuje

Cuando la anchura de corte al hilo es de menos de 65 mm, el listón de empuje no se puede utilizar porque al usarlo golpeará el protector de disco. Utilice la guía auxiliar y el bloque de empuje. Coloque la guía auxiliar en la guía de corte al hilo con dos pinzas "C".

Avance la pieza de trabajo hacia el disco a mano hasta que el extremo esté a unos 25 mm del borde delantero de la mesa.

► **Fig.40**

Continúe desplazando usando el bloque de empuje en la parte superior de la guía auxiliar hasta completar el corte.

► **Fig.41:** 1. Bloque de empuje 2. Guía auxiliar

Corte transversal

⚠PRECAUCIÓN: Cuando haga cortes transversales, retire la guía de corte al hilo de la mesa.

⚠PRECAUCIÓN: Cuando corte piezas de trabajo largas o grandes, provea siempre apoyo adecuado en los costados de la mesa. El apoyo deberá estar a la misma altura que la mesa.

⚠PRECAUCIÓN: Mantenga siempre las manos alejadas de la trayectoria del disco.

Graduador de inglete

► **Fig.42:** 1. Corte transversal 2. Ingletado 3. Corte en bisel 4. Ingletado compuesto (ángulos)

Utilice el graduador de inglete para los 4 tipos de corte mostrados en la figura.

⚠PRECAUCIÓN: Sujete el pomo del graduador de inglete con cuidado.

⚠PRECAUCIÓN: Evite un avance desigual de la pieza de trabajo y el graduador mediante un arreglo firme de sujeción de la pieza de trabajo, especialmente cuando corte en ángulo.

⚠PRECAUCIÓN: No sujete o agarre NUNCA la porción que pretende "cortar" de la pieza de trabajo.

⚠PRECAUCIÓN: Ajuste siempre la distancia entre el extremo del graduador de inglete y el disco de forma que no exceda los 15 mm.

Topo de seguridad del graduador de inglete

► **Fig.43:** 1. Tornillo para topo de seguridad 2. Placa pequeña 3. Pomo

El graduador de inglete se provee con topes de seguridad a ángulos de inglete derecho e izquierdo de 90° y 45° para un ajuste rápido de los ángulos de inglete.

Para ajustar el ángulo de inglete, afloje el pomo del graduador de inglete.

Suba la placa pequeña del graduador de inglete para un ajuste libre. Gire el graduador de inglete hasta el ángulo de inglete deseado. Devuelva la placa pequeña del graduador de inglete a la posición original y apriete el pomo firmemente girándolo hacia la derecha.

Utilización del graduador de inglete

► **Fig.44:** 1. Acanaladura 2. Graduador de inglete 3. Pomo

Deslice el graduador de inglete al interior de las acanaladuras anchas de la mesa. Afloje el pomo del graduador y alinee con el ángulo deseado (0° a 60°). Lleve la pieza a ras contra la guía y avance con cuidado hacia el disco.

Graduador secundario (graduador de inglete)

► **Fig.45:** 1. Graduador secundario

El graduador secundario del graduador de inglete evita que la pieza bambolee. Afloje el tornillo del graduador de inglete y ajuste la posición del graduador secundario.

Transporte de la herramienta

► **Fig.46**

Asegúrese de que la herramienta está desenchufada. Transporte la herramienta cogiéndola por la parte mostrada en la figura.

⚠PRECAUCIÓN: Sujete siempre todas las partes móviles antes de transportar la herramienta.

⚠PRECAUCIÓN: Antes de transportar la herramienta, asegúrese de que el protector de disco y el protector secundario están bajados y el borde inferior del protector secundario hace contacto con la mesa principal.

MANTENIMIENTO

⚠PRECAUCIÓN: Asegúrese siempre de que la herramienta está apagada y desenchufada antes de intentar realizar la inspección o el mantenimiento.

AVISO: No utilice nunca gasolina, bencina, disolvente, alcohol o similares. Podría producir descoloración, deformación o grietas.

Limpieza

Limpie el serrín y virutas de vez en cuando. Limpie cuidadosamente el protector de disco y las partes móviles dentro de la sierra de banco.

Cuando retire el serrín acumulado debajo del disco, retire el inserto de mesa y utilice un soplador para retirar el serrín del conector para aspirador.

Lubricación

Para mantener la sierra de banco en las mejores condiciones de funcionamiento, y para asegurar la máxima vida de servicio, aceite o engrase las partes móviles y partes giratorias de vez en cuando.

Puntos de lubricación:

- Eje roscado para elevar el disco
- Bisagra para girar el bastidor
- Ejes de guía de elevación en el motor
- Engranaje para elevar el disco
- Rieles guía para la guía de corte al hilo
- Eje de las palancas de bloqueo de la mesa secundaria (derecha)
- Partes deslizantes de la mesa secundaria (derecha)

Reemplazo de las escobillas de carbón

Compruebe las escobillas de carbón regularmente. Reemplácelas cuando se hayan gastado hasta la marca de límite. Mantenga las escobillas de carbón limpias y de forma que entren libremente en los portaescobillas. Ambas escobillas de carbón deberán ser reemplazadas al mismo tiempo. Utilice únicamente escobillas de carbón idénticas.

► **Fig.47:** 1. Marca de límite

1. Guarde la mesa secundaria (derecha). Retire la guía de corte al hilo si está guardada.

2. Afloje la palanca de bloqueo y gire la rueda de mano hasta que el cabezal de sierra esté inclinado a un ángulo de bisel de 45°. Después de eso, apriete la palanca de bloqueo.

► **Fig.48:** 1. Guía de corte al hilo 2. Palanca de bloqueo 3. Rueda de mano

3. Ponga la herramienta sobre su costado derecho.

► **Fig.49**

4. Afloje los tornillos de la placa inferior y retírela.

5. Afloje los tapones portaescobillas utilizando un destornillador y retire las escobilla de carbón gastadas.

► **Fig.50:** 1. Placa inferior 2. Tapón portaescobillas 3. Destornillador

6. Inserte las escobillas de carbón nuevas y sujete los tapones portaescobillas.

7. Coloque la placa inferior con los tornillos y ponga la herramienta sobre su parte inferior con cuidado. Guarde la guía de corte al hilo si ha sido retirada.

Para mantener la SEGURIDAD y FIABILIDAD del producto, las reparaciones, y cualquier otra tarea de mantenimiento o ajuste deberán ser realizadas en centros de servicio o de fábrica autorizados por Makita, empleando siempre repuestos Makita.

- Llave de 19
- Llave hexagonal de 5
- Acoplador (para conectar a un colector de polvo)
- Juego de soporte de sierra de banco

Consulte el manual de instrucciones para ver el soporte de sierra de banco que se provee para la sierra de banco como accesorio opcional.

NOTA: Algunos elementos de la lista podrán estar incluidos en el paquete de la herramienta como accesorios estándar. Pueden variar de un país a otro.

ACCESORIOS OPCIONALES

⚠ PRECAUCIÓN: Estos accesorios o aditamentos están recomendados para su uso con la herramienta Makita especificada en este manual. El uso de cualquier otro accesorio o aditamento puede suponer un riesgo de heridas personales. Utilice el accesorio o aditamento solamente con la finalidad indicada para el mismo.

Si necesita cualquier ayuda para más detalles en relación con estos accesorios, pregunte al centro de servicio Makita local.

- Discos de acero y de dientes de carburo
- Mesa secundaria (izquierda)
- Mesa secundaria (trasera)
- Guía de corte al hilo
- Graduador de inglete
- Llave acodada de 13-22

ESPECIFICAÇÕES

Modelo:		2704N
Furo de suporte (Específico para o país)		30 mm / 25,4 mm
Diâmetro da lâmina		260 mm
Capacidades máx. de corte	bisel 0°	93 mm
	bisel 45°	64 mm
Velocidade sem carga		5.200 min ⁻¹
Tamanho da bancada(C x L)	com sub-bancadas (D) e (traseira)	1.045 mm x 1.066 mm (bancadas estendidas) 665 mm x 753 mm (bancadas guardadas)
	com sub-bancada (D) sem sub-bancada (traseira)	567 mm x 1.066 mm (bancada estendida) 567 mm x 753 mm (bancada guardada)
Dimensões (C x L x A) com bancada(s) não estendida(s)	com sub-bancadas (D) e (traseira)	715 mm x 753 mm x 483 mm
	com sub-bancada (D) sem sub-bancada (traseira)	665 mm x 753 mm x 483 mm
Peso líquido		35,2 kg - 37,0 kg
Classe de segurança		□/II

- Devido a um programa contínuo de pesquisa e desenvolvimento, estas especificações podem ser alteradas sem aviso prévio.
- As especificações podem variar de país para país.
- O peso poderá diferir em função do(s) acessório(s). A combinação mais leve e a mais pesada, de acordo com o Procedimento EPTA 01/2014, são apresentadas na tabela.

Símbolos

A seguir são apresentados os símbolos utilizados para o equipamento. Certifique-se de que compreende o seu significado antes de utilizar o equipamento.



Leia o manual de instruções.



ISOLAMENTO DUPLO



Use óculos de segurança.



Não coloque a mão ou os dedos perto da lâmina.



Apenas para os países da União Europeia
Não elimine os equipamentos elétricos junto com o lixo doméstico! De acordo com a diretiva europeia relativa aos resíduos de equipamentos elétricos e eletrónicos e à sua implementação de acordo com as leis nacionais, os equipamentos elétricos que atingiram o seu fim de vida útil devem ser recolhidas separadamente e entregues numa instalação de reciclagem ambientalmente compatível.

Utilização a que se destina

Esta ferramenta destina-se a realizar cortes em madeira.

O corte reto, o corte de bisel e o corte de esquadria estão disponíveis com esta ferramenta. Esta ferramenta não foi concebida para corte não penetrante.

Alimentação

A ferramenta só deve ser ligada a uma fonte de alimentação com a mesma tensão da indicada na placa de características, e só funciona com alimentação de corrente alterna (CA) monofásica. Tem um sistema de isolamento duplo e pode, por isso, utilizar tomadas sem ligação à terra.

Ruído

A característica do nível de ruído A determinado de acordo com a EN62841:

Nível de pressão acústica (L_{pA}): 94 dB (A)

Nível de potência acústica (L_{WA}): 107 dB (A)

Variabilidade (K): 3 dB (A)

AVISO: Utilize protetores auriculares.

Declaração de conformidade da CE

Apenas para os países europeus

A declaração de conformidade da CE está incluída como Anexo A neste manual de instruções.

AVISOS DE SEGURANÇA

Avisos gerais de segurança para ferramentas elétricas

⚠️ AVISO: Leia todos os avisos de segurança, instruções, ilustrações e especificações fornecidos com esta ferramenta elétrica. O não cumprimento de todas as instruções indicadas em baixo pode resultar em choque elétrico, incêndio e/ou ferimentos graves.

Guarde todos os avisos e instruções para futuras referências.

O termo "ferramenta elétrica" nos avisos refere-se às ferramentas elétricas ligadas à corrente elétrica (com cabo) ou às ferramentas elétricas operadas por meio de bateria (sem cabo).

Instruções de segurança para serras circulares de bancada

Avisos relacionados com o resguardo

- Mantenha os resguardos devidamente instalados. Os resguardos devem estar em bom estado e devidamente instalados.** Um resguardo solto, danificado ou que não esteja a funcionar corretamente deve ser reparado ou substituído.
- Verifique se a lâmina da serra não está em contacto com o resguardo, lâmina divisora ou com a peça de trabalho antes de ligar o interruptor.** O contacto inadvertido destes itens com a lâmina da serra pode causar uma condição de perigo.
- Ajuste a lâmina divisora conforme descrito no presente manual de instruções.** O espaçamento, posicionamento e alinhamento incorretos podem tornar a lâmina divisora ineficaz na redução da probabilidade de contragolpe.
- Para que a lâmina divisora e os trincos de anti-contragolpe funcionem devem estar engatados na peça de trabalho.** A lâmina divisora e os trincos de anti-contragolpe são ineficazes no corte de peças de trabalho que são demasiado pequenas para permitir o engate com a lâmina divisora e os trincos de anti-contragolpe. Nestas condições, não é possível evitar um contragolpe realizado pela lâmina divisora e pelos trincos de anti-contragolpe.
- Utilize a lâmina da serra apropriada para a lâmina divisora.** Para que a lâmina divisora funcione corretamente, o diâmetro da lâmina da serra deve corresponder à lâmina divisora apropriada e o corpo da lâmina da serra deve ser mais fino do que a espessura da lâmina divisora e a largura de corte da lâmina da serra deve ser mais ampla do que a espessura da lâmina divisora.

Avisos sobre procedimentos de corte

- ⚠️ PERIGO: Nunca coloque os dedos ou mãos nas imediações ou em linha com a lâmina da serra.** Um momento de falta de atenção ou um deslizamento pode direcionar a sua mão para a lâmina da serra e resultar em ferimentos pessoais graves.

- Alimente a peça de trabalho na lâmina da serra apenas no sentido contrário ao da rotação.** Alimentar a peça de trabalho na mesma direção que a lâmina da serra estiver a rodar acima da bancada pode resultar na arrastamento da peça de trabalho e da sua mão para a lâmina da serra.
- Nunca utilize o calibre de esquadria para alimentar a peça de trabalho quando estiver a realizar o rasgo e não utilize a placa de rasgo como um batente de comprimento quando realizar cortes transversais com o calibre de esquadria.** Guiar a peça de trabalho com a placa de rasgo e o calibre de esquadria ao mesmo tempo aumenta a probabilidade de emperramento e contragolpe da lâmina da serra.
- Quando realizar o rasgo, aplique sempre a força de alimentação da peça de trabalho entre a placa e a lâmina da serra. Utilize uma barra de empurrar quando a distância entre a placa e a lâmina da serra for inferior a 150 mm e utilize um bloco de empurrar quando esta distância for inferior a 50 mm.** Os dispositivos de "auxílio ao trabalho" mantêm a sua mão a uma distância segura em relação à lâmina da serra.
- Utilize apenas a barra de empurrar fornecida pelo fabricante ou montada de acordo com as instruções.** Esta barra de empurrar fornece uma distância suficiente da mão em relação à lâmina da serra.
- Nunca utilize uma barra de empurrar danificada ou cortada.** Uma barra de empurrar danificada pode partir, fazendo com que a sua mão deslize na direção da lâmina da serra.
- Não efetue qualquer operação com as mãos livres. Utilize sempre a placa de rasgo ou o calibre de esquadria para posicionar e guiar a peça de trabalho.** Mãos livres significa utilizar as mãos para apoiar ou guiar a peça de trabalho, em vez de uma placa de rasgo ou um calibre de esquadria. A serração com mãos livres leva ao desalinhamento, emperramento e contragolpe.
- Nunca toque na periferia cortante ou sobre a lâmina da serra.** Tentar alcançar a peça de trabalho sem segurança pode levar ao contacto accidental com a lâmina da serra em movimento.
- Proporcione um suporte auxiliar da peça de trabalho na parte traseira e/ou nas laterais da bancada da serra para peças de trabalho compridas e/ou amplas para mantê-las niveladas.** Uma peça de trabalho comprida e/ou ampla tem tendência para girar na borda da bancada, causando perda de controlo, emperramento e contragolpe da lâmina da serra.
- Alimente a peça de trabalho num ritmo uniforme. Não dobre ou torça a peça de trabalho. Se ocorrer o encravamento, desligue a ferramenta imediatamente, desligue a ferramenta da tomada elétrica e solucione o encravamento.** O encravamento da lâmina da serra causado pela peça de trabalho pode causar contragolpe ou parar o motor.
- Não remova as peças de material cortado enquanto a serra estiver a funcionar.** O material pode ficar preso entre a placa e a lâmina da serra, ou no interior do resguardo da lâmina e pode puxar os seus dedos na direção da lâmina da serra. Desligue a serra e aguarde até a lâmina da serra parar antes de remover o material.

12. **Utilize uma placa auxiliar em contacto com o topo da bancada quando realizar o rasgo de peças de trabalho com menos de 2 mm de espessura.** Uma peça de trabalho fina pode ficar entalada por baixo da placa de rasgo e criar um contragolpe.
9. **Quando reiniciar a serra com a lâmina da serra na peça de trabalho, centre a lâmina da serra no corte, de modo que os dentes da serra não fiquem engatados no material.** Se a lâmina da serra encravar pode levantar a peça de trabalho e causar contragolpe quando a serra for reiniciada.

Causas de contragolpe e avisos relacionados com este

O contragolpe é uma reação súbita da peça de trabalho devido a uma lâmina da serra apertada, encravada ou linha desalinhada de corte na peça de trabalho relativamente à lâmina da serra ou quando uma parte da peça de trabalho emperra entre a lâmina da serra e a placa de rasgo ou outro objeto fixo.

Muito frequentemente durante o contragolpe, a peça de trabalho é levantada da bancada pela parte traseira da lâmina da serra e é impulsionada na direção do operador. O contragolpe é o resultado de utilização incorreta da serra e/ou de procedimentos ou condições de funcionamento incorretos e pode ser evitado através da adoção de precauções apropriadas, conforme indicado em seguida.

1. **Nunca permaneça diretamente em linha com a lâmina da serra. Posicione sempre o seu corpo no mesmo lado da lâmina da serra que a placa.** O contragolpe pode impulsionar a peça de trabalho a alta velocidade em direção a qualquer pessoa que permanece em frente e em linha com a lâmina da serra.
2. **Nunca tente chegar sobre ou por trás da lâmina da serra para puxar ou suportar a peça de trabalho.** Pode ocorrer o contacto acidental com a lâmina da serra ou o contragolpe pode arrastar os seus dedos na direção da lâmina da serra.
3. **Nunca segure e pressione a peça de trabalho que está a ser cortada contra a lâmina da serra em rotação.** Pressionar a peça de trabalho que está a ser cortada contra a lâmina da serra cria uma condição de emperramento e de contragolpe.
4. **Alinhe a placa para que fique paralela à lâmina da serra.** Uma placa desalinhada encrava a peça de trabalho contra a lâmina da serra e cria contragolpe.
5. **Utilize cuidado extra quando realizar um corte em áreas cegas das peças de trabalho montadas.** A lâmina da serra saliente pode cortar objetos que podem causar contragolpe.
6. **Apoie os painéis grandes para minimizar o risco de a lâmina da serra encravar e causar o contragolpe.** Os painéis grandes tendem a dobrar sob o próprio peso. O(s) suporte(s) deve ser colocado sob todas as partes do painel suspenso sobre o topo da bancada.
7. **Utilize cuidado extra quando cortar uma peça de trabalho que esteja torcida, amarrada, deformada ou que não tenha uma borda reta para guiá-la com um calibre de esquadria ou ao longo da placa.** Uma peça de trabalho deformada, amarrada ou torcida é instável e causa o desalinhamento do corte com a lâmina da serra, emperramento e contragolpe.
8. **Nunca corte mais de uma peça de trabalho, empilhada na vertical ou na horizontal.** A lâmina da serra pode apanhar uma ou mais peças e causar contragolpe.

10. **Mantenha as lâminas da serra limpas, afiadas e com jogo suficiente.** Nunca utilize lâminas da serra deformadas ou com dentes fissurados ou partidos. As lâminas da serra afiadas e com um jogo suficiente minimizam o emperramento, a paragem e o contragolpe.

Avisos de procedimento para funcionamento da serra circular de bancada

1. **Desligue a serra circular de bancada e retire o cabo de alimentação da tomada elétrica quando remover a inserção da bancada, substituir a lâmina da serra ou efetuar ajustes na lâmina divisora, trincos de anti-contragolpe ou resguardo da lâmina da serra e quando deixar a máquina sem supervisão.** As medidas de precaução evitam acidentes.
2. **Nunca deixe a serra circular de bancada a funcionar sem supervisão. Desligue-a e não deixe a ferramenta até parar completamente.** Uma serra a funcionar sem supervisão representa um risco não controlado.
3. **Localize a serra circular de bancada numa área bem iluminada e nivelada na qual possa manter um bom posicionamento dos pés e equilíbrio.** Deve ser posicionada numa área que proporcione espaço suficiente para manusear facilmente o tamanho da sua peça de trabalho. As áreas apertadas e escuras e os pisos escorregadios irregulares convida a acidentes.
4. **Limpe e remova o pó de serração frequentemente sob a bancada da serra e/ou o dispositivo de recolha do pó.** O pó de serração acumulado é combustível e pode incendiar automaticamente.
5. **A serra circular de bancada deve ser fixada.** A serra circular de bancada não está devidamente fixada e pode mover-se ou tomba.
6. **Remova as ferramentas, os restos de madeira, etc. da bancada antes de ligar a serra circular de bancada.** A distração ou um potencial encravamento pode ser perigoso.
7. **Utilize sempre lâminas da serra com o tamanho e forma corretos (diamante versus circular) de furos de suporte.** As lâminas da serra que não correspondem ao equipamento de montagem da serra funcionam fora do centro, causando a perda de controlo.
8. **Nunca utilize meios de montagem da lâmina da serra danificados ou incorretos como, por exemplo, flanges, anilhas de lâmina da serra, pernos ou porcas.** Estes meios de montagem foram concebidos especialmente para a sua serra, para um funcionamento seguro e um desempenho otimizado.
9. **Nunca permaneça de pé sobre a serra circular de bancada, não a utilize como degrau.** Podem ocorrer lesões graves se a ferramenta virar ou se estabelecer contacto inadvertidamente com a ferramenta de corte.

10. **Certifique-se de que a lâmina da serra está instalada para rodar na direção apropriada. Não utilize esmeris, escovas de arame ou rodas abrasivas numa serra circular de bancada. A instalação inapropriada da lâmina da serra ou a utilização de acessórios não recomendados pode causar lesões graves.**

Instruções adicionais

1. **Apenas use lâminas de serra marcadas com uma velocidade igual ou superior à velocidade marcada na ferramenta.**
2. **Selecione a lâmina da serra correta para o material a cortar.**
3. **Use luvas quando manusear lâminas da serra.**
4. **Limpe o veio, as flanges (especialmente a superfície de instalação) e a porca hexagonal antes de instalar a lâmina. A instalação incorreta pode causar vibração/movimento irregular ou o deslizamento da lâmina.**
5. **Não corte objetos metálicos como pregos e parafusos. Inspeccione e remova todos os pregos, parafusos e outro material estranho da peça de trabalho antes da operação.**
6. **NUNCA permita que outra pessoa permaneça em linha com o percurso da lâmina da serra.**
7. **Antes de utilizar a ferramenta na peça a trabalhar, deixe-a funcionar em vazio durante algum tempo. Verifique se existem vibrações ou movimento irregular que possam indicar má instalação ou desequilíbrio da lâmina.**
8. **A ferramenta não deve ser utilizada para fazer ranhuras, encaixes ou entalhes.**
9. **Substitua a inserção da bancada quando estiver gasta.**
10. **Guarde sempre a barra de empurrar quando não estiver a utilizá-la.**
11. **Derrube eventuais nós soltos da peça de trabalho ANTES de iniciar o corte.**
12. **Algum do pó proveniente da operação contém químicos que provocam cancro, defeitos congénitos ou problemas no aparelho reprodutor. Alguns exemplos destes produtos químicos incluem:**
 - chumbo de material cuja tinta contenha chumbo e,
 - arsénico ou crómio de madeira tratada quimicamente.

O risco a esta exposição varia, dependendo da frequência com que executa este tipo de trabalho. Para reduzir a sua exposição aos produtos químicos: trabalhe numa área bem ventilada e utilize equipamento de segurança adequado, como uma máscara contra o pó especialmente concebida para filtrar as partículas microscópicas.
13. **Certifique-se sempre de que o sub-resguardo está descido e nivelado em relação à bancada da serra antes de ligar a ferramenta à tomada elétrica.**
14. **Inspeccione os cabos de extensão periodicamente e substitua-os caso estejam danificados.**
15. **(Apenas para países europeus) Utilize apenas lâminas da serra recomendadas pelo fabricante que estejam em conformidade com a EN847-1.**

INSTALAÇÃO

Posicionamento da serra circular de bancada

- **Fig.1:** 1. Diâmetro do furo de 8 mm
- **Fig.2:** 1. Anilha padrão de 6 mm 2. Parafuso de madeira n.º 10 com 40 mm de comprimento mín.
- **Fig.3:** 1. Anilha padrão de 6 mm 2. Pernos de montagem de 6 mm e porca apertados firmemente

Localize a serra circular de bancada numa área bem iluminada e nivelada na qual possa manter um bom posicionamento dos pés e equilíbrio. Deve ser instalada numa área que forneça espaço suficiente para manusear facilmente o tamanho da sua peça de trabalho. A serra circular de bancada deve ser fixa com quatro parafusos ou pernos à bancada de trabalho ou à suporte da serra circular de bancada, utilizando os furos fornecidos na parte inferior da serra circular de bancada. Quando fixar a serra circular de bancada na bancada de trabalho, certifique-se de que existe uma abertura no topo da bancada de trabalho com o mesmo tamanho que a abertura na parte inferior da serra circular de bancada, de modo que o pó de serração possa cair.

Se durante o funcionamento se verificar a tendência de a serra circular de bancada tombar, deslizar ou mover, a bancada de trabalho ou o suporte da serra circular de bancada deve ser fixada(o) ao piso.

Armazenar acessórios

- **Fig.4:** 1. Calibre de esquadria
- **Fig.5:** 1. Placa de rasgo 2. Barra de empurrar 3. Trincos de anti-contragolpe

O calibre de esquadria, a lâmina da serra e as chaves podem ser guardados no lado esquerdo da base. A placa de rasgo, a barra de empurrar e os trincos de anti-contragolpe podem ser guardados no lado direito da base.

DESCRIÇÃO FUNCIONAL

⚠️ PRECAUÇÃO: Certifique-se sempre de que a ferramenta está desligada e com a ficha retirada da tomada, antes de proceder a afinações ou de verificar o funcionamento da respetiva ferramenta.

Resguardo da lâmina

⚠️ AVISO: Nunca desarme nem retire o resguardo da lâmina. Se estragar o resguardo, a lâmina exposta pode provocar ferimentos pessoais graves durante o funcionamento.

⚠️ AVISO: Nunca utilize a ferramenta se o resguardo da lâmina estiver danificado, avariado ou não estiver montado. O funcionamento da ferramenta com um resguardo danificado, avariado ou retirado pode provocar ferimentos pessoais graves.

► **Fig.6:** 1. Resguardo da lâmina 2. Sub-resguardo

Quando realizar cortes, empurre a peça de trabalho na direção da lâmina com a borda inferior do sub-resguardo em contacto com a bancada principal. À medida que a peça de trabalho é alimentada, o resguardo da lâmina e o sub-resguardo passa por cima da borda da peça de trabalho.

No interesse da sua segurança pessoal, mantenha sempre o resguardo da lâmina e o sub-resguardo em bom estado. Qualquer funcionamento irregular do resguardo da lâmina e do sub-resguardo deve ser imediatamente corrigido. Verifique se o resguardo da lâmina e o sub-resguardo estão descidos e se a borda inferior do sub-resguardo está em contacto com a bancada principal quando a peça de trabalho não for alimentada.

Se as peças transparentes ficarem sujas ou partículas de pó aderirem de modo que a lâmina e/ou a peça de trabalho deixem de ser facilmente visíveis, retire a ficha da ferramenta da tomada e limpe cuidadosamente as peças transparentes com um pano húmido. Não utilize solventes ou produtos de limpeza à base de petróleo, pois estes podem causar danos nas peças. Se as peças transparentes ficarem desbotadas com o decorrer do tempo ou pela ação dos raios UV, contacte um centro de assistência Makita para obter novas peças. **NÃO DESARME NEM REMOVA O RESGUARDO DA LÂMINA E O SUB-RESGUARDO.**

Ajustar a profundidade de corte

► **Fig.7:** 1. Pega

A profundidade de corte pode ser ajustada ao rodar a pega. Rode a pega para a direita para elevar a lâmina da serra ou para a esquerda para descê-la.

NOTA: Utilize uma definição de profundidade rasa quando realizar cortes em materiais finos, de modo a obter um corte mais limpo.

Regulação do ângulo de bisel

► **Fig.8:** 1. Alavanca de bloqueio 2. Ponteiro com seta 3. Volante

Solte a alavanca de bloqueio para a esquerda e rode o volante até obter o ângulo desejado (0° - 45°). O ângulo de bisel é indicado pelo ponteiro com seta. Após obter o ângulo desejado, aperte a alavanca de bloqueio para a direita para fixar o ajuste.

⚠️ PRECAUÇÃO: Após ajustar o ângulo de bisel, assegure que aperta a alavanca de bloqueio firmemente.

Ajustar batentes positivos

► **Fig.9:** 1. Parafuso de ajuste de 90° 2. Parafuso de ajuste de 45°

► **Fig.10**

A ferramenta está equipada com batentes positivos a 90° e 45° em relação à superfície da bancada. Para verificar e ajustar os batentes positivos, proceda do seguinte modo:

Mova o volante o mais afastado possível, rodando-o. Coloque uma régua triangular na bancada e verifique se a lâmina da serra está a 90° ou 45° em relação à superfície da bancada. Se a lâmina da serra estiver num ângulo indicado na Fig. A, rode os parafusos de ajuste para a direita; se estiver a um ângulo indicado na Fig. B, rode os parafusos de ajuste para a esquerda para ajustar os batentes positivos.

Após ajustar os batentes positivos, coloque a lâmina da serra a 90° em relação à superfície da bancada. Em seguida, ajuste o ponteiro com seta, de modo que a respetiva borda direita fique alinhada com a graduação a 0°.

► **Fig.11:** 1. Ponteiro com seta

Ação do interruptor

► **Fig.12:** 1. Interruptor

⚠️ PRECAUÇÃO: Certifique-se de que a ferramenta é ligada e desligada antes de utilizá-la.

Para iniciar a ferramenta, pressione o botão LIGAR (I). Para pará-la, pressione o botão DESLIGAR (O).

Subplaca (placa de rasgo)

► **Fig.13:** 1. Parafuso de aperto 2. Placa de rasgo 3. Subplaca 4. Calha

Se a placa de rasgo se aproximar da lâmina da serra, utilize a subplaca para suportar a peça de trabalho. Desaperte o parafuso de aperto e deslize a subplaca para fora da calha. Preencha a subplaca conforme ilustrado e aperte os parafusos de aperto.

Quando a placa de rasgo estiver presa no lado esquerdo da lâmina da serra, mude a posição da subplaca. Remova os parafusos de aperto, a subplaca e a calha da placa de rasgo. Aperte folgadoamente a calha no lado direito da placa de rasgo utilizando os parafusos de aperto removidos. Depois disso, preencha a subplaca e aperte os parafusos de aperto.

► **Fig.14:** 1. Placa de rasgo 2. Subplaca 3. Parafuso de aperto 4. Calha

Sub-bancada (D)

► **Fig.15:** 1. Alavanca

► **Fig.16:** 1. Sub-bancada (D)

Esta ferramenta é fornecida com a sub-bancada (D) no lado direito da bancada principal. Para utilizar a sub-bancada (D), eleve ambas as alavancas no lado direito frontal, remova a bancada (D) totalmente e, em seguida, desça as alavancas para fixá-la.

Quando utilizar a sub-bancada (D), localize a placa de escala na sub-bancada após desapertar o parafuso desta com uma chave de fendas, de modo a tornar-se sucessiva com a placa de escala na bancada principal.

► **Fig.17:** 1. Placa de escala 2. Parafuso

Sub-bancada (traseira)

Acessório opcional

► **Fig.18:** 1. Sub-bancada (traseira) 2. Parafuso

Para utilizar a sub-bancada (traseira), desaperte os parafusos nos lados esquerdo e direito sob a bancada e remova-a para trás até ao comprimento desejado. No compartimento desejado, aperte os parafusos firmemente.

NOTA: Quando utilizar a sub-bancada (traseira) durante a utilização da placa de rasgo, remova a sub-bancada (traseira) além de 50 mm de modo que esta não bata contra a extremidade superior da placa de rasgo.

Sub-bancada (E)

Acessório opcional

► **Fig.19:** 1. Parafuso 2. Sub-bancada (E)

A sub-bancada (E) (acessório opcional) pode ser instalada no lado esquerdo da bancada para obter mais espaço.

Trincos de anti-contragolpe

AVISO: Utilize os trincos de anti-contragolpe sempre que possível durante as operações de corte penetrante. Isto irá ajudar a evitar que o material seja empurrado para a frente do operador durante uma situação de contragolpe, o que pode resultar em lesões físicas graves.

► **Fig.20:** 1. Trinco de anti-contragolpe 2. Braçadeira

Para remover os trincos de anti-contragolpe da ferramenta, desaperte a braçadeira no fundo dos trincos de anti-contragolpe e extraia-os em seguida. Para instalar, realize o procedimento de remoção inverso.

MONTAGEM

PRECAUÇÃO: Certifique-se sempre de que a ferramenta está desligada e com a ficha retirada da tomada antes de executar quaisquer trabalhos na ferramenta.

Instalar ou retirar a lâmina da serra

PRECAUÇÃO: Certifique-se sempre de que a ferramenta está desligada e retirada da tomada antes de instalar ou remover a lâmina da serra.

PRECAUÇÃO: Utilize apenas a chave da Makita fornecida para instalar ou remover a lâmina da serra. Se assim não for pode resultar em aperto excessivo ou insuficiente do perno hexagonal. Pode causar danos.

PRECAUÇÃO: Utilize a seguinte lâmina da serra. Não utilize lâminas da serra que não cumpram as características especificadas nestas instruções.

Diâmetro	Espessura da lâmina	Corte
260 mm	Inferior a 1,9 mm	Superior a 2,1 mm

1. Desaperte o parafuso na inserção da bancada e remova-a.

2. Segure a flange exterior com a chave de desvio e solte a porca hexagonal para a esquerda com a chave. Em seguida, remova a flange exterior.

► **Fig.21:** 1. Chave de desvio 2. Porca hexagonal 3. Chave

3. Monte a flange interior, o anel, a lâmina da serra, a flange exterior e a porca hexagonal no suporte, assegurando que os dentes da lâmina estão a apontar para baixo na parte frontal da bancada. Instale sempre a porca hexagonal com o respetivo lado pressionado virado para a flange exterior.

► **Fig.22:** 1. Flange interior 2. Anel 3. Lâmina da serra 4. Flange exterior 5. Porca hexagonal

PRECAUÇÃO: Certifique-se de que a lâmina da serra está instalada de modo que os dentes fiquem alinhados na direção (rotativa) de corte.

PRECAUÇÃO: Verifique o diâmetro do furo do suporte da lâmina da serra antes de instalar a lâmina da serra. Utilize sempre o anel correto para o furo do suporte da lâmina da serra que pretende utilizar. O tamanho do anel(éis) fornecido(s) varia em função do país.

- No caso de uma ferramenta com uma lâmina da serra com 30 mm de diâmetro do furo, é fornecido o anel com 30 mm de diâmetro externo.

- No caso de uma ferramenta com uma lâmina da serra com 25,4 mm e 25 mm de diâmetro do furo, são fornecidos os anéis de prata e pretos. Utilize o anel de prata para a lâmina da serra com um diâmetro de furo de 25,4 mm e o anel preto para a lâmina da serra com um diâmetro de furo de 25 mm.

4. Para fixar a lâmina da serra na posição correta, segure a flange exterior com a chave de desvio e, em seguida, aperte a porca hexagonal para a direita com a chave. **CERTIFIQUE-SE DE QUE APERTAA PORCA HEXAGONAL FIRMEMENTE.**

► **Fig.23:** 1. Chave de desvio 2. Chave

⚠️PRECAUÇÃO: Mantenha a superfície da flange limpa de sujidade ou de outra matéria aderente; pode causar o deslizamento da lâmina.

⚠️PRECAUÇÃO: Certifique-se de que segura a porca hexagonal cuidadosamente com a chave. Se o seu punho deslizar, a chave pode sair da porca hexagonal e a sua mão pode bater nos cantos da lâmina afiada.

5. Preencha a inserção da bancada na posição correta com o parafuso.

Ajustar a lâmina divisora

⚠️PRECAUÇÃO: Se a lâmina da serra e a lâmina divisora não estiverem alinhadas devidamente, pode resultar numa condição perigosa de encravamento durante o funcionamento. Certifique-se de que estas estão alinhadas adequadamente. Pode sofrer lesões físicas graves enquanto utiliza a ferramenta sem uma lâmina divisora alinhada adequadamente.

⚠️PRECAUÇÃO: NUNCA proceda a ajustes enquanto a ferramenta estiver a funcionar. Desligue a ferramenta antes de realizar quaisquer ajustes.

⚠️PRECAUÇÃO: Não remova a lâmina divisora.

► **Fig.24:** 1. Resguardo da lâmina 2. Lâmina divisora 3. Parafuso

A posição da lâmina divisora é ajustada de fábrica, de modo que a lâmina da serra e a lâmina divisora fiquem posicionadas numa linha reta. Contudo, necessita de ajustá-la se a lâmina da serra e a lâmina divisora não estiverem posicionadas numa linha reta.

Desaperte o parafuso na inserção da bancada e remova-a da bancada principal. Desaperte os pernos hexagonais (B) e ajuste a parte de montagem do resguardo da lâmina (fixação), de modo que a lâmina divisora fique alinhada diretamente por trás da lâmina da serra. Em seguida, aperte os pernos hexagonais (B) para prender a fixação e colocar a inserção da bancada na posição correta.

► **Fig.25:** 1. Lâmina 2. Estas duas folgas devem ser iguais. 3. Lâmina divisora 4. Pernos hexagonais (B) 5. Pernos hexagonais (A)

Deve haver uma folga de cerca de 4 - 5 mm entre a lâmina divisora e os dentes da lâmina. Desaperte os pernos hexagonais (A), ajuste a lâmina divisora em conformidade e aperte os pernos hexagonais (A) fixamente. Preencha a inserção da bancada na bancada com o parafuso e, em seguida, verifique se o resguardo da lâmina funciona perfeitamente antes de realizar o corte.

► **Fig.26:** 1. Lâmina divisora 2. Resguardo da lâmina 3. Folga de 4 mm - 5 mm

Instalar e ajustar a placa de rasgo

► **Fig.27:** 1. Gancho 2. Botão 3. Calha guia

1. Encaixe o gancho na ponta da placa de rasgo na calha guia extrema na bancada ou sub-bancada (D) e instale e empurre a placa de rasgo para a frente, de modo que o suporte da placa engate na calha guia mais próxima.

2. Para deslizar a placa de rasgo na calha guia lateralmente, volte a colocar o botão do suporte da placa totalmente na posição inicial sem puxar a alavanca no botão.

Para fixar a placa de rasgo, rode completamente o botão no suporte da placa.

3. Para remover a placa de rasgo, puxe a alavanca no botão e gire o botão completamente para a frente enquanto puxa a alavanca.

Para verificar se a placa de rasgo está paralela à lâmina da serra, fixe a placa de rasgo 2 - 3 mm de distância em relação à lâmina da serra. Eleve a lâmina até à elevação máxima. Marque um dos dentes da lâmina com um giz. Meça a distância (A) e (B) entre a placa de rasgo e a lâmina da serra. Realize ambas as medições utilizando o dente marcado com o giz. Estas duas medições devem ser iguais. Se a placa de rasgo não estiver paralela com a lâmina da serra, proceda do seguinte modo:

► **Fig.28:** 1. Escala

1. Posicione a placa de rasgo na posição de deslizamento.

2. Desaperte os dois pernos hexagonais na placa de rasgo com a chave hexagonal fornecida.

► **Fig.29:** 1. Pernos hexagonais

3. Ajuste a placa de rasgo até ficar paralela à lâmina da serra.

4. Rode o botão para baixo na placa de rasgo em direção ao operador.

5. Aperte os dois pernos hexagonais na placa de rasgo.

► **Fig.30**

⚠️PRECAUÇÃO: Certifique-se de que ajusta a placa de rasgo, de modo que fique paralela com a lâmina da serra, caso contrário, pode ocorrer uma condição perigosa de contragolpe.

Quando a placa de rasgo não puder ser fixa solidamente, ajuste-a de acordo com o procedimento seguinte.

1. Coloque a placa de rasgo na bancada e, em seguida, gire o botão a meio do percurso (posição em movimento). Aperte o parafuso (A) até a placa de rasgo ficar imobilizada. Em seguida, desaperte 1/4 a 1/2 de volta.

► **Fig.31:** 1. Placa de rasgo 2. Posição desbloqueada 3. Posição em movimento 4. Posição de bloqueio

► **Fig.32:** 1. Placa de rasgo 2. Posição em movimento 3. Parafuso (B) 4. Parafuso (A)

2. Aperte o parafuso (B) completamente e, em seguida, desaperte cerca de 2 voltas completas.

3. Bloqueie a placa de rasgo, girando completamente o botão no suporte da placa (posição de bloqueio).

4. Certifique-se de que é possível instalar e remover a placa de rasgo na posição original (posição desbloqueada).

5. Certifique-se de que é possível deslizar ligeiramente a placa de rasgo sem movimento irregular quando o botão estiver a meio do percurso.

OBSERVAÇÃO: Tenha cuidado para não apertar os parafusos além da quantidade especificada nas instruções anteriores. O não cumprimento desta indicação pode danificar as peças apertadas.

Coloque a placa de rasgo encostada contra a parte lateral da lâmina da serra. Certifique-se de que a guia no suporte da placa aponta para a graduação 0. Se a guia não apontar para a graduação 0, desaperte o parafuso na placa de escala e ajuste a placa de escala.

► Fig.33: 1. Guia 2. Parafusos

Ligar ao aspirador

Pode realizar operações mais limpas ao ligar a ferramenta ao aspirador Makita ou ao coletor de pó.

► Fig.34

OPERAÇÃO

▲PRECAUÇÃO: Utilize sempre “auxílios de trabalho” como barras de empurrar e blocos de empurrar quando existe perigo de as suas mãos ou dedos se aproximarem da lâmina da serra.

▲PRECAUÇÃO: Segure sempre a peça de trabalho firmemente com a bancada e a placa de rasgo ou o calibre de esquadria. Não a dobre ou torça durante a alimentação. Se a peça de trabalho estiver dobrada ou torcida, podem ocorrer contragolpes perigosos.

▲PRECAUÇÃO: NUNCA retire a peça de trabalho enquanto a lâmina da serra estiver a funcionar. Se tiver de retirar a peça de trabalho antes de concluir um corte, desligue a ferramenta em primeiro lugar enquanto segura na peça de trabalho firmemente. Aguarde até a lâmina da serra ter parado completamente antes de retirar a peça de trabalho. O não cumprimento desta indicação pode provocar contragolpes perigosos.

▲PRECAUÇÃO: NUNCA remova o material cortado enquanto a lâmina da serra estiver a funcionar.

▲PRECAUÇÃO: NUNCA coloque as mãos ou os dedos no percurso da lâmina da serra. Tenha especialmente cuidado com os cortes de bisel.

▲PRECAUÇÃO: Fixe sempre a placa de rasgo firmemente, caso contrário, poderão ocorrer contragolpes perigosos.

▲PRECAUÇÃO: Utilize sempre “auxílios de trabalho” como barras de empurrar e blocos de empurrar quando realizar cortes em peças de trabalho pequenas ou estreitas.

Auxílios de trabalho

As barras de empurrar, blocos de empurrar ou placa auxiliar são tipos de “auxílios de trabalho”. Utilize-os para realizar cortes seguros e certos sem a necessidade de o operador tocar na lâmina da serra com qualquer parte do corpo.

Bloco de empurrar

► Fig.35: 1. Face/borda paralela 2. Pega 3. Parafuso de madeira 4. Colar

Utilize uma peça de contraplacado de 19 mm. A pega deve estar posicionada no centro da peça de contraplacado. Aperte com cola e parafusos de madeira, conforme ilustrado. O peça pequena de madeira com 9,5 mm x 8 mm x 50 mm deve ser sempre colada ao contraplacado para impedir que a lâmina da serra fique cega, se o operador cortar o bloco de empurrar por engano. (Nunca utilize pregos num bloco de empurrar.)

Placa auxiliar

► Fig.36: 1. Face/borda paralela

Produza a placa auxiliar com peças de contraplacado de 9,5 mm e 19 mm.

Rasgo

▲PRECAUÇÃO: Quando realizar o rasgo, remova o calibre de esquadria da bancada.

▲PRECAUÇÃO: Quando cortar peças de trabalho compridas ou grandes, forneça sempre um suporte adequado por trás da bancada. NÃO permita que uma tábua comprida se desloque ou desvie na bancada. Isso fará com que a lâmina da serra empene e aumente a possibilidade de contragolpe e lesões físicas. O suporte deve estar à mesma altura que a bancada.

▲PRECAUÇÃO: Não realize o rasgo de bisel no lado de biselamento da lâmina da serra.

1. Ajuste a profundidade de corte um pouco mais alto do que a espessura da peça de trabalho.

► Fig.37

2. Posicione a placa de rasgo na largura de rasgo desejada e bloqueie-a na posição correta rodando o botão. Antes de realizar o rasgo, certifique-se de que a extremidade traseira da placa de rasgo está firmemente segura. Se não estiver suficientemente segura, siga os procedimentos incluídos na secção intitulada “Instalar e ajustar a placa de rasgo”.

3. Ligue a ferramenta e alimente ligeiramente a peça de trabalho na lâmina da serra ao longo da placa de rasgo.

Quando a largura de rasgo for de 150 mm ou superior, utilize cuidadosamente a sua mão direita para alimentar a peça de trabalho. Utilize a mão esquerda para segurar a peça de trabalho na posição correta contra a placa de rasgo.

► Fig.38

Quando a largura de rasgo for de 65 mm - 150 mm, utilize a barra de empurrar para alimentar a peça de trabalho.

► Fig.39: 1. Barra de empurrar

Quando a largura de rasgo for inferior a 65 mm, a barra de empurrar não pode ser utilizada porque irá bater no resguardo da lâmina. Utilize a placa auxiliar e o bloco de empurrar. Preencha a placa auxiliar à placa de rasgo com duas braçadeiras em “C”. Alimente a peça de trabalho manualmente até que a extremidade esteja a cerca de 25 mm da borda frontal da bancada.

► Fig.40

Continue a alimentar a peça de trabalho utilizando o bloco de empurrar no topo da placa auxiliar até o corte ser concluído.

► Fig.41: 1. Bloco de empurrar 2. Placa auxiliar

Corte transversal

⚠️ PRECAUÇÃO: Quando realizar um corte transversal, remova a placa de rasgo da bancada.

⚠️ PRECAUÇÃO: Quando cortar peças de trabalho compridas ou grandes, forneça sempre um suporte adequado nas laterais da bancada. O suporte deve estar à mesma altura que a bancada.

⚠️ PRECAUÇÃO: Mantenha sempre as mãos afastadas do percurso da lâmina.

Calibre de esquadria

► Fig.42: 1. Corte transversal 2. Esquadria 3. Corte em bisel 4. Esquadria composta (ângulos)

Utilize o calibre de esquadria para os 4 tipos de corte indicados na figura.

⚠️ PRECAUÇÃO: Fixe o botão cuidadosamente no calibre de esquadria.

⚠️ PRECAUÇÃO: Evite arrastar a peça de trabalho e calibrar através de disposição firme da retenção do trabalho, especialmente quando realizar cortes num ângulo.

⚠️ PRECAUÇÃO: NUNCA retenha ou segure a parte de “corte” prevista da peça de trabalho.

⚠️ PRECAUÇÃO: Ajuste sempre a distância entre a extremidade do calibre de esquadria e a lâmina da serra de modo a não exceder 15 mm.

Batente positivo do calibre de esquadria

► Fig.43: 1. Parafuso para batente positivo 2. Placa pequena 3. Botão

O calibre de esquadria é fornecido com batentes positivos em ângulos de esquadria à direita e à esquerda a 90°, 45° para regulação rápida de ângulos de esquadria.

Para regular o ângulo de esquadria, solte o botão no calibre de esquadria.

Eleve a placa pequena no calibre de esquadria para regulação livre. Rode o calibre de esquadria para o ângulo de esquadria desejado. Volte a colocar a placa pequena no calibre de esquadria na posição original e aperte o botão firmemente para a direita.

Utilização do calibre de esquadria

► Fig.44: 1. Ranhura 2. Calibre de esquadria 3. Botão

Deslize o calibre de esquadria para as ranhuras espessas na bancada. Solte o botão no calibre e alinhe para o ângulo desejado (0° a 60°). Coloque o material encostado contra a placa e alimente ligeiramente para a frente na direção da lâmina da serra.

Sub-calibre (calibre de esquadria)

► Fig.45: 1. Sub-calibre

O sub-calibre no calibre de esquadria impede a peça de trabalho de mover-se irregularmente. Desaperte o parafuso no calibre de esquadria e ajuste a posição do sub-calibre.

Transporte de ferramenta

► Fig.46

Certifique-se de que a ferramenta está desligada da corrente elétrica.

Transporte a ferramenta segurando na parte da ferramenta apresentada na figura.

⚠️ PRECAUÇÃO: Fixe sempre os componentes móveis antes de proceder ao transporte da ferramenta.

⚠️ PRECAUÇÃO: Antes de transportar a ferramenta, certifique-se de que o resguardo da lâmina e o sub-resguardo estão descidos e que a borda inferior do sub-resguardo está em contacto com a bancada principal.

MANUTENÇÃO

⚠️ PRECAUÇÃO: Certifique-se sempre de que a ferramenta está desligada e com a ficha retirada da tomada antes de tentar proceder à inspeção ou à manutenção.

OBSERVAÇÃO: Nunca utilize gasolina, benzina, diluente, álcool ou produtos semelhantes. Pode ocorrer a descoloração, deformação ou rachaduras.

Limpeza

Limpe o pó de serração e as aparas periodicamente. Limpe cuidadosamente o resguardo da lâmina e as peças móveis no interior da serra circular de bancada. Quando remover o pó de serração acumulado sob a lâmina da serra, remova a inserção da bancada e utilize ar comprimido em aerossol para soprar o pó de serração do conector para um aspirador.

Lubrificação

Para manter a serra circular de bancada em perfeitas condições de funcionamento, e de modo a assegurar a máxima vida útil da serra, aplique óleo ou massa lubrificante nas peças móveis e nas peças rotativas periodicamente.

Pontos de lubrificação:

- Eixo roscado para elevar a lâmina da serra
- Articulação para rodar a estrutura
- Eixos da guia de elevação no motor
- Engrenagem para elevar a lâmina da serra
- Calhas guia para a placa de rasgo
- Eixo das alavancas de bloqueio da sub-bancada (D)
- Parte deslizante da sub-bancada (D)

Substituir as escovas de carvão

Verifique as escovas de carvão regularmente. Substitua-as quando estiverem gastas até à marca de limitação. Mantenha as escovas de carvão limpas e desimpedidas para deslizar nos suportes. As duas escovas de carvão devem ser substituídas ao mesmo tempo. Utilize apenas escovas de carvão idênticas.

► **Fig.47:** 1. Marca de limitação

1. Guarde a sub-bancada (D). Remova a placa de rasgo se estiver armazenada.
2. Solte a alavanca de bloqueio e rode o volante até a cabeça da serra for inclinada para o ângulo em bisel de 45°. Em seguida, aperte a alavanca de bloqueio.

► **Fig.48:** 1. Placa de rasgo 2. Alavanca de bloqueio 3. Volante

3. Coloque a ferramenta no lado direito na posição vertical.

► **Fig.49**

4. Desaperte os parafusos na placa inferior e remova-a.
5. Desaperte as tampas do suporte da escova utilizando uma chave de fendas e remova as escovas de carvão usadas.

► **Fig.50:** 1. Placa inferior 2. Tapa do suporte da escova 3. Chave de fendas

6. Insira as escovas de carvão novas e fixe as tampas do suporte da escova.
7. Prenda a placa inferior com parafusos e deite cuidadosamente a ferramenta na respetiva parte inferior. Guarde a placa de rasgo se for removida.

Para manter a SEGURANÇA e a FIABILIDADE do produto, as reparações e qualquer outra manutenção ou ajuste devem ser levados a cabo pelos centros de assistência Makita autorizados ou pelos centros de assistência de fábrica, utilizando sempre peças de substituição Makita.

Consulte o manual de instruções do suporte da serra circular de bancada que é fornecido como acessório opcional.

NOTA: Alguns itens da lista podem estar incluídos na embalagem da ferramenta como acessórios padrão. Eles podem variar de país para país.

ACESSÓRIOS OPCIONAIS

⚠PRECAUÇÃO: Estes acessórios ou peças são recomendados para utilização com a ferramenta Makita especificada neste manual. A utilização de outros acessórios ou peças pode ser perigosa para as pessoas. Utilize apenas acessórios ou peças para os fins indicados.

Se necessitar de informações adicionais relativas a estes acessórios, solicite-as ao seu centro de assistência Makita.

- Lâminas de serra de aço com pontas carboneto
- Sub-bancada (E)
- Sub-bancada (traseira)
- Placa de rasgo
- Calibre de esquadria
- Chave de desvio 13-22
- Chave 19
- Chave hexagonal 5
- Junta (para ligação ao coletor de pó)
- Conjunto do suporte da serra circular de bancada

SPECIFIKATIONER

Model:		2704N
Akselhul (Landespecifikt)		30 mm / 25,4 mm
Klangediameter		260 mm
Maks. skæredybde	skråsnit 0°	93 mm
	skråsnit 45°	64 mm
Hastighed uden belastning		5.200 min ⁻¹
Bordstørrelse (L x B)	med ekstraborde (H) og (bagpå)	1.045 mm x 1.066 mm (med borde trukket ud) 665 mm x 753 mm (med borde skubbet ind)
	med ekstrabord (H) uden ekstrabord (bagpå)	567 mm x 1.066 mm (med bord trukket ud) 567 mm x 753 mm (med bord skubbet ind)
Dimensioner (L x B x H) med bord(e) skubbet ind	med ekstraborde (H) og (bagpå)	715 mm x 753 mm x 483 mm
	med ekstrabord (H) uden ekstrabord (bagpå)	665 mm x 753 mm x 483 mm
Nettovægt		35,2 kg - 37,0 kg
Sikkerhedsklasse		▣/II

- På grund af vores kontinuerlige forsknings- og udviklingsprogrammer kan hosstående specifikationer blive ændret uden varsel.
- Specifikationer kan variere fra land til land.
- Vægten kan være anderledes afhængigt af tilbehøret. Den letteste og tungeste kombination i henhold til EPTA-procedure 01/2014 er vist i tabellen.

Symboler

Følgende viser de symboler, der anvendes til udstyret. Vær sikker på, at De forstår betydningen af symbolerne før brugen.



Læs brugsanvisningen.



DOBBELT ISOLERING



Bær sikkerhedsbriller.



Placer ikke hånden eller fingrene i nærheden af klingens.



Kun for lande inden for EU
Elektrisk udstyr må ikke bortskaffes sammen med almindelig husholdningsaffald! I henhold til det europæiske direktiv vedrørende håndtering af elektrisk og elektronisk affald og dets implementering i henhold til national lovgivning skal elektrisk udstyr, der har nået slutningen af dets levetid, indsamles separat og returneres til et genindvindingsanlæg, der overholder miljøkravene.

Tilsigtet anvendelse

Denne maskine er beregnet til skæring i træ. Maskinen kan anvendes til lige skæring, skråskæring og geringsskæring. Denne maskine er ikke designet til ikke-gennemgående skæring.

Strømforsyning

Maskinen må kun tilsluttes en strømforsyning med samme spænding som angivet på typeskiltet og kan kun anvendes på enfaset vekselstrømforsyning. Den er dobbeltisoleret og kan derfor også tilsluttes netstik uden jordforbindelse.

Lyd

Det typiske A-vægtede støjniveau bestemt i overensstemmelse med EN62841:
Lydtryksniveau (L_{pA}): 94 dB (A)
Lydeffektniveau (L_{WA}): 107 dB (A)
Usikkerhed (K): 3 dB (A)

ADVARSEL: Bær høreværn.

EU-overensstemmelseserklæring

Kun for lande i Europa

EU-overensstemmelseserklæringen er inkluderet som Bilag A i denne brugsanvisning.

SIKKERHEDSADVARSLER

Almindelige sikkerhedsregler for el-værktøj

⚠ ADVARSEL: Læs alle de sikkerhedsadvarsler, instruktioner, illustrationer og specifikationer, der følger med denne maskine. Forsømmelse af at overholde alle nedenstående instruktioner kan medføre elektrisk stød, brand og/eller alvorlig personskade.

Gem alle advarsler og instruktioner til fremtidig reference.

Ordet "el-værktøj" i advarslerne henviser til det netforsynede (netledning) el-værktøj eller batteriforsynede (akku) el-værktøj.

Sikkerhedsinstruktioner for bordrundsawe

Advarsler vedr. afskærmninger

1. **Afskærmninger skal være på plads. Afskærmninger skal være funktionsduelige og korrekt monterede.** En afskærmning, der er løs, beskadiget eller ikke fungerer korrekt, skal repareres eller udskiftes.
2. **Sørg for, at savklingen ikke er i berøring med afskærmningen, spaltekniven eller arbejdsemnet, før der tændes på afbryderen.** Hvis disse genstande ved et uheld kommer i kontakt med savklingen, kan der opstå en farlig situation.
3. **Justér spaltekniven som beskrevet i denne brugsvejledning.** Forkert afstand, placering og justering kan medføre, at spaltekniven ikke på effektiv vis nedbringer risikoen for tilbageslag.
4. **For at spaltekniven og tilbageslagsbeskytterne kan fungere, skal de gribe ind i arbejdsemnet.** Spaltekniven og tilbageslagsbeskytterne har ingen virkning, hvis det arbejdsemne, der skæres, er for kort til at engagere med spaltekniven og tilbageslagsbeskytterne. Under disse forhold kan tilbageslag ikke forhindres af spaltekniven og tilbageslagsbeskytterne.
5. **Brug den korrekte savklinge til spaltekniven.** For at spaltekniven kan fungere korrekt, skal savklingsens diameter modsvare den passende spaltekniv, savklingebladet skal være tyndere end spalteknivens tykkelse, og skærebredden for savklingen skal være større end spalteknivens tykkelse.

Advarsler vedr. skæreprocedurer

1. **⚠ FARE: Placer aldrig fingre eller hænder tæt på eller på linje med savklingen.** Et enkelt øjeblik uopmærksomhed eller en hånd, der glider i retning af savklingen, kan medføre alvorlig personskade.
2. **Før altid arbejdsemnet til savklingen mod rotationsretningen.** Hvis De fører arbejdsemnet i samme retning, som savklingen roterer over bordet, kan det medføre, at arbejdsemnet og Deres hånd trækkes ind i savklingen.

3. **Brug aldrig geringsskalaen til fremføring af arbejdsemnet under flæksavning, og brug ikke parallelanslaget som længdestop under udførelse af tværsnit med geringsskalaen.** Hvis arbejdsemnet styres af både parallelanslaget og geringsskalaen samtidig, øges risikoen for, at savklingen låser og slår tilbage.
4. **Ved flæksavning skal fremføringskraften på arbejdsemnet altid lægges mellem anslaget og savklingen. Brug en skubbepind, hvis afstanden mellem anslaget og savklingen er under 150 mm, og brug en skubbeblok, hvis afstanden er under 50 mm.** "Arbejdshjælpere" holder Deres hånd på sikker afstand af savklingen.
5. **Anvend kun en skubbepind, som er leveret af fabrikanten eller er fremstillet i overensstemmelse med vejledningen.** Denne skubbepind giver tilstrækkelig afstand mellem hånd og savklinge.
6. **Brug aldrig en beskadiget eller skåret skubbepind.** En beskadiget skubbepind kan knække og medføre, at Deres hånd glider ind i savklingen.
7. **Udfør ikke nogen arbejder på "frihånd". Brug altid enten parallelanslaget eller geringsskalaen til placering og styring af arbejdsemnet.** "Frihånd" vil sige, at De bruger hænderne til at støtte eller styre arbejdsemnet i stedet for at anvende parallelanslaget eller geringsskalaen. Savning på frihånd kan medføre forkert indføring, at klingens låser samt tilbageslag.
8. **Ræk aldrig rundt om eller hen over en roterende savklinge.** Hvis De rækker ud efter et arbejdsemne, kan det medføre utilsigtet kontakt med den roterende savklinge.
9. **Sørg for ekstra støtte til lange og/eller brede arbejdsemner bagtil og/eller til siderne af savbordet, så de holdes lige.** Et langt og/eller bredt arbejdsemne har en tendens til at dreje mod bordkanten, så kontrollen mistes, og savklingen låser eller slår tilbage.
10. **Indfør arbejdsemnet ved jævn hastighed. Bøj eller vrid ikke arbejdsemnet. Hvis savklingen sætter sig fast, skal De øjeblikkeligt slukke for maskinen, tage den ud af forbindelse og afhjælpe problemet.** Hvis savklingen sætter sig fast i arbejdsemnet, kan det medføre tilbageslag eller at motoren slår fra.
11. **Fjern aldrig afskårne stykker, mens saven kører.** Materialer kan sætte sig fast mod anslaget eller mellem beskyttelsesskærmen og savklingen og dermed trække Deres fingre ind i savklingen. Sluk saven, og vent, indtil savklingen er holdt op med at rotere, inden De fjerner materialerne.
12. **Brug et hjælpeanslag, der har kontakt til bordpladen, når De flæksaver arbejdsemner, der er under 2 mm tykke.** Et tyndt arbejdsemne kan sætte sig fast under parallelanslaget og medføre tilbageslag.

Årsager til tilbageslag og relaterede advarsler

Tilbageslag er en pludselig reaktion på en fastklemt, låst savklinge eller en forkert snitlinje i arbejdsemnet i forhold til savklingen, eller kan opstå, hvis en del af arbejdsemnet sætter sig fast mellem savklingen og parallelanslaget eller en anden fast genstand. Som oftest vil tilbageslag medføre, at arbejdsemnet løftes op fra bordet af savklingsens bageste del og slynkes mod operatøren.

Tilbageslag skyldes forkert brug af saven og/eller forkerte betjeningsprocedurer eller -forhold og kan undgås ved at overholde de forholdsregler, der gives herunder.

1. **Stå aldrig direkte i savklingsens bane. Placer altid kroppen på samme side af savklingen som anslaget.** Tilbageslag kan slynge arbejdsemnet med stor kraft mod enhver, der står foran og på linje med savklingen.
2. **Ræk aldrig over eller bagom savklingen for at trække i eller støtte arbejdsemnet.** Dette kan medføre utilsigtet kontakt med savklingen, eller at tilbageslag trækker Deres fingre ind i savklingen.
3. **Hold og tryk aldrig den afskårne del af arbejdsemnet mod den roterende savklinge.** Hvis den afskårne del af arbejdsemnet presses mod savklingen, vil det blokere og medføre tilbageslag.
4. **Juster anslaget, så det er parallelt med savklingen.** Et forkert justeret anslag vil klemme arbejdsemnet mod savklingen og medføre tilbageslag.
5. **Vær ekstra forsigtig, når De skærer i blinde områder på samlede arbejdsemner.** Den udstikende savklinge kan skære i genstande, som kan forårsage tilbageslag.
6. **Understøt store paneler for at reducere risikoen for, at savklingen klemmes fast og forårsager tilbageslag.** Store paneler har tendens til at bøjes under deres egen vægt. Der skal placeres støtte(r) under alle dele af panelet, der hænger ud over bordkanten.
7. **Vær ekstra omhyggelig, når De skærer et arbejdsemne, der er forvredet, har knaster, har slået sig eller ikke har en lige kant, så det kan fremføres med en geringsskala eller langs anslaget.** Et arbejdsemne, der er forvredet, har knaster eller har slået sig er ustabil og kan medføre fejljustering af savsnittet med savklingen, låsning og tilbageslag.
8. **Skær aldrig i mere end ét arbejdsemne stakket lodret eller vandret.** Savklingen kunne samle ét eller flere stykker op og forårsage tilbageslag.
9. **Når saven startes igen i arbejdsemnet, skal De centrere savklingen i savsnittet og sikre Dem, at savtænderne ikke sidder fast i emnet.** Hvis savklingen låser, kan den løfte arbejdsemnet opad og forårsage tilbageslag, når saven startes igen.
10. **Hold savklinger skarpe, rene og korrekt indstillet. Brug aldrig forvredne savklinger eller savklinger med revnede eller brækkede tænder.** Skarpe, korrekt indstillede savklinger reducerer blokering, låsning og tilbageslag.

Advarsler vedr. betjeningsprocedurer for bordrundsaven

1. **Sluk bordrundsaven, og tag stikket ud af stik-kontakten, når De fjerner bordpladeindlægget, skifter savklinge eller foretager justeringer af spaltekniven, tilbageslagsbeskytterne eller beskyttelsesskærmen, samt når maskinen efterlades uovervåget.** Forholdsregler forhindrer ulykker.
2. **Lad aldrig bordrundsaven køre uovervåget. Sluk maskinen, og gå ikke fra den, før den er stoppet helt.** En kørende sav, der ikke overvåges, udgør en ukontrollerbar fare.

3. **Placer bordrundsaven på et godt oplyst og jævnt sted, hvor De kan bevare fodfæstet og balancen.** Den bør placeres i et område, der er stort nok til, at arbejdsemner af den nødvendige størrelse let kan håndteres. Små, mørke områder og ujævnt, glat gulv indbyder til ulykker.
4. **Rengør ofte, og fjern savsmuld under savbordet og/eller støvsopsamlingssystemet.** Ophobet savsmuld er brandfarligt og kan selvantænde.
5. **Bordrundsaven skal være sikkert fastgjort.** En bordrundsav, der ikke er sikkert fastgjort, kan vandre eller vælte.
6. **Fjern værktøj, træstumper osv. fra bordet, inden bordrundsaven tændes.** Uopmærksomhed eller en potentiel fastklemning kan være farlige.
7. **Brug altid savklinger med den korrekte størrelse og form (diamant versus rund), der passer til akselhullerne.** Savklinger, der ikke passer til savens monteringsdele, vil køre skævt og kan medføre tab af kontrol.
8. **Brug aldrig beskadiget eller ukorrekt savklingsmonteringsudstyr, som fx flanger, spændeskiver, bolte og møtrikker til montering af savklinger.** Dette monteringsudstyr er specielt designet til Deres sav for at opnå sikker drift og optimal ydeevne.
9. **Stå aldrig på bordrundsaven, brug den ikke som trappestige.** Det kan medføre alvorlig personskade, hvis maskinen vælter, eller hvis De utilsigtet kommer i kontakt med skæreværktøjet.
10. **Sørg for, at savklingen er påsat, så den drejer i den rigtige retning. Brug ikke skrubskiver, stålborster eller slibeskiver på bordrundsaven.** Forkert montering af savklinge eller brug af tilbehør, der ikke er anbefalet til brugen, kan medføre alvorlig personskade.

Yderligere instruktioner

1. **Brug kun savklinger, der er mærket med en hastighed svarende til eller større end den hastighed, der er angivet på maskinen.**
2. **Vælg den korrekte savklinge til det materiale, der skal skæres.**
3. **Brug handsker ved håndtering af savklinger.**
4. **Rengør spindelen, flangerne (især monteringsfladen) og sekskantmøtrikken, før klingen monteres.** Forkert montering kan medføre, at klingen vibrerer/slingrer eller glider.
5. **Skær ikke i metalgenstande som fx søm og skruer. Kontrollér for, og fjern alle søm, skruer og andre fremmedlegemer fra arbejdsemnet før arbejdet.**
6. **Tillad ALDRIG andre at stå på linje med savklingens bevægelse.**
7. **Før maskinen anvendes på arbejdsemnet, skal den køre i tomgang et stykke tid. Vær opmærksom på vibrationer eller rystelser, der kan være forårsaget af forkert montage eller manglende afbalancering af klingen.**
8. **Maskinen må ikke anvendes til notning, falsning eller mejsling.**
9. **Udskift bordpladeindlægget, når det er slidt.**
10. **Gem skubbepinden af vejen, når den ikke anvendes.**

11. Fjern løse knuder fra arbejdsemnet, FØR skæring påbegyndes.
12. Visse typer støv, der opstår i forbindelse med betjeningen, indeholder kemikalier, som kan forårsage kræft, fødselsdefekter og andre forplantningsskader. Eksempler på disse kemikalier er:
 - bly fra materialer, der er malet med blyholdig maling, og
 - arsenik eller chrom fra kemisk behandlet tømmer.

Risikoen i forbindelse med udsættelse for disse kemikalier afhænger af, hvor ofte De udfører denne type arbejde. Sådan reducerer De udsættelsen for disse kemikalier: Arbejd på et godt ventileret sted, og arbejd med godkendt sikkerhedsudstyr, for eksempel støvmaske, der er specielt udviklet til bortfiltrering af mikroskopiske partikler.
13. Sørg altid for, at ekstraafskærmningen er nede, og at den ligger fladt mod savbordet, før strømmen tilsluttes.
14. Kontrollér forlængerledninger regelmæssigt, og udskift evt. beskadigede.
15. (Kun for lande i Europa)
Brug kun savklinger, som anbefales af fabrikanter, og som er i overensstemmelse med EN847-1.

MONTERING

Placering af bordrundsaven

- **Fig.1:** 1. Huldiameter 8 mm
- **Fig.2:** 1. 6 mm standard spændeskive 2. Nr. 10 træskrue, mindst 40 mm lang
- **Fig.3:** 1. 6 mm standard spændeskive 2. 6 mm monteringsbolt & møtrik, fast spændt

Placér bordrundsaven på et godt oplyst og jævnt sted, hvor De kan bevare fodfæstet og balancen. Den bør monteres på et sted, hvor der er tilstrækkelig plads til, at De nemt kan håndtere den størrelse arbejdsemner. De har behov for. Bordrundsaven skal fastgøres med fire skrue eller bolte til en arbejdsbænk eller til bordrundsavens understel ved hjælp af hullerne i bordrundsavens bund. Ved fastgørelsen af bordrundsaven på arbejdsbænken skal De sørge for, at arbejdsbænkens top er forsynet med en åbning af samme størrelse som åbningen i bunden af bordrundsaven, så savsmuld kan falde ned. Hvis der under betjeningen er tendens til, at bordrundsaven kan vælte, glide eller vandre, skal arbejdsbænken eller bordrundsavens understel forankres til gulvet.

Opbevaring af tilbehør

- **Fig.4:** 1. Geringsskala
- **Fig.5:** 1. Parallellanslag 2. Skubbepind 3. Tilbageslagsbeskytter

Geringsskala, savklinge og skruenøgler kan opbevares til venstre i bunden. Parallellanslag, skubbepind og tilbageslagsbeskytter kan opbevares til højre i bunden.

FUNKTIONSBESKRIVELSE

⚠FORSIGTIG: Kontrollér altid, at maskinen er slået fra, og at netstikket er trukket ud, før der udføres justeringer, eller funktioner kontrolleres på maskinen.

Beskyttelsesskærm

⚠ADVARSEL: Beskyttelsesskærmen må aldrig sættes ud af funktion eller fjernes. En synlig klinge på grund af en manglende beskyttelsesskærm kan medføre alvorlig personskade under anvendelsen.

⚠ADVARSEL: Brug aldrig maskinen, hvis beskyttelsesskærmen er beskadiget, defekt eller mangler. Anvendelse af maskinen med en beskadiget, fejlbehæftet eller afmonteret beskyttelsesskærm kan medføre alvorlig personskade.

► **Fig.6:** 1. Beskyttelsesskærm 2. Ekstraafskærmning

Under skæringen skal arbejdsemnet skubbes ind mod klingens kant og den nederste kant af ekstraafskærmningen i kontakt med hovedbordet. Efterhånden som arbejdsemnet indføres, går beskyttelsesskærmen og ekstraafskærmningen ind over kanten af arbejdsemnet.

Af sikkerhedsmæssige årsager skal beskyttelsesskærmen og ekstraafskærmningen altid holdes i god stand. Hvis beskyttelsesskærm eller ekstraafskærmning viser tegn på unormal drift, skal dette rettes øjeblikkeligt. Kontrollér, at beskyttelsesskærmen og ekstraafskærmningen er nede, og at den nederste kant af ekstraafskærmningen er i kontakt med hovedbordet, når arbejdsemnet ikke er under indføring.

Hvis de gennemslidende dele bliver snavsede, eller savsmuld klæber til dem på en sådan måde, at klingens og/eller arbejdsemnet ikke længere er let synlige, skal maskinen kobles fra stikkontakten, og de gennemslidende dele rengøres forsigtigt med en fugtig klud. Anvend ikke opløsningsmidler eller oliebaseerede rengøringsmidler, da disse kan beskadige delene. Hvis de gennemslidende dele bliver misfarvede med tiden eller på grund af udsættelse for ultraviolet lys, kan De kontakte et Makita servicecenter for at købe erstatningsdele. **BESKYTTELSSESKÆRMEN ELLER EKSTRAAFSKÆRMNINGEN MÅ ALDRIG SÆTTES UD AF FUNKTION ELLER FJERNES.**

Justering af skæredybde

► **Fig.7:** 1. Håndtag

Skæredybden justeres ved at dreje håndtaget. Drej håndtaget med uret for at hæve savklingen eller mod uret for at sænke den.

BEMÆRK: Brug en lav dybde ved skæring af tynde materialer, så der opnås et renere snit.

Justering af skråvinklen

► **Fig.8:** 1. Låsearm 2. Viser 3. Håndhjul

Løsn låsearmen mod uret, og drej håndhjulet, indtil den ønskede vinkel (0° - 45°) nås. Skråsnitsvinklen angives af viseren. Når den ønskede vinkel nås, strammes låsearmen med uret for at holde justeringen.

⚠FORSIGTIG: Efter ændring af skråvinklen skal låsearmen sikres ved at stramme den igen.

Indstilling af faste anslag

- ▶ **Fig.9:** 1. 90° justerings skrue 2. 45° justerings skrue
- ▶ **Fig.10**

Maskinen har faste anslag ved vinklerne 90° og 45° i forhold til bordfladen. Benyt denne fremgangsmåde for at kontrollere og indstille de faste anslag: Drej håndhjulet så langt, som det er muligt. Placér en trekantet lineal på bordet, og kontrollér, om savklingen danner en vinkel på 90° eller 45° med bordfladen. Hvis savklingen befinder sig i en vinkel som vist i Fig. A, drejes justeringsskruerne med uret. Hvis den befinder sig i en vinkel som vist i Fig. B, drejes justeringsskruerne mod uret for at indstille de faste anslag.

Når de faste anslag er justeret, indstilles savklingen til 90° i forhold til bordfladen. Indstil derefter viseren, så dens højre kant er rettet ind efter 0°-gradsinddelingen.

- ▶ **Fig.11:** 1. Viser

Afbryderfunktion

- ▶ **Fig.12:** 1. Afbryder

⚠FORSIGTIG: Kontrollér, om der er tændt eller slukket for maskinen før betjeningen.

For at starte maskinen skal De trykke på knappen TIL (I).
Tryk på knappen FRA (O) for at slukke maskinen.

Ekstraanslag (parallelanslag)

- ▶ **Fig.13:** 1. Blokeringsskrue 2. Parallelanslag 3. Ekstraanslag 4. Skinne

Hvis parallelanslaget kommer for tæt på savklingen, skal De bruge ekstraanslaget til at støtte arbejdsemnet. Løsn blokeringsskruen, og træk ekstraanslaget ud af skinnen. Fastgør ekstraanslaget, som illustreret, og tilspænd blokeringsskruerne.

Hvis parallelanslaget fastgøres til venstre side af savklingen, skal ekstraanslaget flyttes. Fjern blokeringsskruerne, ekstraanslaget og skinnen fra parallelanslaget. Fastgør skinnen løst på højre side af parallelanslaget ved hjælp af de fjernede blokeringsskruer. Fastgør herefter ekstraanslaget, og tilspænd blokeringsskruen.

- ▶ **Fig.14:** 1. Parallelanslag 2. Ekstraanslag 3. Blokeringsskrue 4. Skinne

Ekstrabord (H)

- ▶ **Fig.15:** 1. Arm

- ▶ **Fig.16:** 1. Ekstrabord (H)

Denne maskine leveres med ekstrabord (H) på højre side af hovedbordet. For at anvende ekstrabordet (H) skal De løfte begge arme foran til højre, trække bordet (H) helt ud og derefter sænke armene for at fastgøre det.

Når ekstrabordet (H) anvendes, skal De løsne skruen på ekstrabordets skalaplade med en skruetrækker og placere skalapladen på ekstrabordet, så den ligger i forlængelse af skalapladen på hovedbordet.

- ▶ **Fig.17:** 1. Skalaplade 2. Skruer

Ekstrabord (bagpå)

Ekstraudstyr

- ▶ **Fig.18:** 1. Ekstrabord (bagpå) 2. Skruer

Hvis De vil anvende ekstrabord (bagpå), skal De løsne skruerne i venstre og højre side under bordet og trække det bagud til den ønskede længde. Ved ønsket længde strammes skruerne godt til.

BEMÆRK: Hvis De vil anvende ekstrabord (bagpå) under brug af parallelanslaget, skal De trække ekstrabord (bagpå) mindst 50 mm ud, så det ikke rammer imod toppen af parallelanslaget.

Ekstrabord (V)

Ekstraudstyr

- ▶ **Fig.19:** 1. Skruer 2. Ekstrabord (V)

Ekstrabord (V) (ekstraudstyr) kan fastgøres på venstre side af bordet for at få bedre plads.

Tilbageslagsbeskyttere

⚠ADVARSEL: Brug tilbageslagsbeskytterne under gennemgående skæringsprocesser, såfremt det er muligt. Dette vil medvirke til at forhindre, at materialet skubbes fremad ind i operatøren i tilfælde af et tilbageslag, der ellers kan medføre alvorlig personskade.

- ▶ **Fig.20:** 1. Tilbageslagsbeskytter 2. Klemme

Tilbageslagsbeskytterne fjernes fra maskinen ved at løsne klemmen i bunden af tilbageslagsbeskytterne og dernæst trække dem ud. Ved påsætning udføres afmonteringsproceduren i modsat rækkefølge.

SAMLING

⚠FORSIGTIG: Sørg altid for, at maskinen er slukket og taget ud af forbindelse, inden der udføres nogen form for arbejde på maskinen.

Montering eller afmontering af savklingen

⚠FORSIGTIG: Sørg altid for, at maskinen er slukket og koblet fra stikkontakten, før savklingen monteres eller afmonteres.

⚠FORSIGTIG: Brug kun den medfølgende Makita-skruenøgle til at montere eller afmontere savklingen. Hvis du ikke gør det, kan det medføre en for hård eller for let tilspænding af sekskantbolten. Dette kan medføre personskade.

⚠FORSIGTIG: Anvend følgende savklinge. Anvend ikke savklinger, der ikke opfylder de specifikationer, som er angivet i denne brugsanvisning.

Diameter	Klingetykkelse	Savsnit
260 mm	Under 1,9 mm	Over 2,1 mm

1. Løsn skruen på bordpladeindlægget, og fjern det.

2. Hold den ydre flange med den forkrøppede skruenøggle, og løsn sekskantmøtrikken ved at skruer mod uret med skruenøglen. Fjern derefter den ydre flange.

► **Fig.21:** 1. Forkrøppet skruenøggle 2. Sekskantmøtrik 3. Skruenøggle

3. Saml den indre flange, ringen, savklingen, den ydre flange og sekskantmøtrikken på akslen, idet De sørger for, at klingens tænder peger nedad ved bordets forende. Monter altid sekskantmøtrikken med den forsænkede side vendt mod den ydre flange.

► **Fig.22:** 1. Indre flange 2. Ring 3. Savklinge 4. Ydre flange 5. Sekskantmøtrik

⚠FORSIGTIG: Sørg for, at savklingen er monteret, så tænderne peger i skæretretningen (drejereetningen).

⚠FORSIGTIG: Kontrollér diameteren på savklingens akselhul, før savklingen monteres. Anvend altid den korrekte ring, der passer til akselhullet på den savklinge. De ønsker at anvende. Størrelsen på den/de medfølgende ring(e) varierer afhængigt af land.

- Til maskiner med en savklinge med en 30 mm huldiameter medfølger en ring med en udvendig diameter på 30 mm.
- Til maskiner med en savklinge med en 25,4 mm og 25 mm huldiameter medfølger den sølvfarvede og den sorte ring. Brug den sølvfarvede ring til savklinger med en huldiameter på 25,4 mm og den sorte ring til savklinger med en huldiameter på 25 mm.

4. For at sætte savklingen godt på plads skal De holde den ydre flange fast med den forkrøppede skruenøggle og derefter stramme sekskantmøtrikken i urets retning med skruenøglen. SØRG FOR AT SPÆNDE SEKSANTMØTRIKKEN FAST TIL.

► **Fig.23:** 1. Forkrøppet skruenøggle 2. Skruenøggle

⚠FORSIGTIG: Hold flangens overflade ren for snavs eller andre fremmedlegemer, der har sat sig fast, da det kan få klingen til at glide.

⚠FORSIGTIG: Sørg for at holde godt fast i sekskantmøtrikken med skruenøglen. Hvis De mister grebet, kan skruenøglen glide af sekskantmøtrikken, og Deres hånd kan ramme de skarpe kanter på klingens.

5. Fastgør bordpladeindlægget med skruen.

Justering af spaltekniven

⚠FORSIGTIG: Hvis savklingen og spaltekniven ikke er justeret korrekt, kan opstå en farlig fastklemning under brugen. Sørg for, at de er justeret korrekt. De kan komme alvorligt til skade under brugen af maskinen, hvis spaltekniven ikke er korrekt justeret.

⚠FORSIGTIG: Udfør ALDRIG justeringer, mens maskinen kører. Tag maskinen ud af forbindelse, før De foretager justeringer.

⚠FORSIGTIG: Fjern ikke spaltekniven.

► **Fig.24:** 1. Beskyttelsesskærm 2. Spaltekniv 3. Skruer

Placeringen af spaltekniven er indstillet fra fabrikken, så savklingen og spaltekniven er monteret på linje. Det kan dog være nødvendigt at justere den, hvis savklingen og spaltekniven ikke befinder sig på linje.

Løsn skruen på bordpladeindlægget, og tag det af hovedbordet. Løsn sekskantboltene (B), og justér beskyttelsesskærmens monteringsdel (stel) således, at spaltekniven befinder sig direkte bag savklingen. Stram dernæst sekskantboltene (B) for at fastgøre stellet, og sæt bordpladeindlægget på plads.

► **Fig.25:** 1. Klinge 2. Disse to mellemrum skal være lige store. 3. Spaltekniv 4. Sekskantbolte (B) 5. Sekskantbolte (A)

Der skal være et mellemrum på cirka 4 - 5 mm mellem spaltekniven og klingetænderne. Løsn sekskantboltene (A), justér spaltekniven efter behov, og stram sekskantboltene (A) fast til. Monter bordpladeindlægget på bordet med skruen, og kontrollér derefter, at beskyttelsesskærmen fungerer korrekt inden skæring.

► **Fig.26:** 1. Spaltekniv 2. Beskyttelsesskærm 3. 4 mm - 5 mm mellemrum

Montering og indstilling af parallelanslaget

► **Fig.27:** 1. Krog 2. Knap 3. Styreskinne

1. Fastgør krogen på spidsen af parallelanslaget til den fjerneste styreskinne på bordet eller ekstrabordet (H), og monter og skub parallelanslaget fremad, så anslagets holder sidder på den nærmeste styreskinne.

2. For at glide parallelanslaget sidelæns på styreskinnen skal De dreje knappen på anslagets holder helt tilbage uden at trække i håndtaget på knappen.

Drej knappen på anslagets holder helt i bund for at fastgøre parallelanslaget.

3. For at fjerne parallelanslaget skal De trække i håndtaget på knappen og dreje knappen helt fremad, mens De trækker i håndtaget.

For at kontrollere, at parallelanslaget sidder parallelt med savklingen, skal parallelanslaget fastgøres 2 - 3 mm fra savklingen. Hæv klingens til den maksimale højde. Markér en af klingens tænder med kridt. Mål afstandene (A) og (B) mellem parallelanslaget og savklingen. Tag begge mål ved hjælp af den tand, der er markeret med kridt. Disse to mål skal være identiske. Hvis parallelanslaget ikke er parallelt med savklingen, skal De gøre følgende:

► **Fig.28:** 1. Skala

1. Placér parallelanslaget i glidepositionen.

2. Løsn de to sekskantbolte på parallelanslaget med den medfølgende sekskantnøggle.

► **Fig.29:** 1. Sekskantbolte

3. Justér parallelanslaget, så det er parallelt med savklingen.

4. Drej knappen på parallelanslaget mod operatøren.

5. Stram de to sekskantbolte på parallelanslaget.

► **Fig.30**

⚠️ FORSIGTIG: Sørg for at indstille parallelanslaget, så det er parallelt med savklingen, da der ellers kan opstå en farlig situation med tilbageslag.

Hvis parallelanslaget ikke kan fastgøres solidt, skal det justeres på følgende måde.

1. Placér parallelanslaget på bordet, og drej knappen halvvejs i dens bevægelsesbane (bevægelsesposition). Stram skrue (A), indtil parallelanslaget sidder fast. Løsn dernæst 1/4 til 1/2 omdrejning.

► **Fig.31:** 1. Parallelanslag 2. Frigjort position
3. Bevægelsesposition 4. Låst position

► **Fig.32:** 1. Parallelanslag 2. Bevægelsesposition
3. Skrue (B) 4. Skrue (A)

2. Stram skrue (B) helt, og løs den dernæst ca. 2 fulde omdrejninger.

3. Lås parallelanslaget fast ved at dreje knappen på anslagets holder helt (låst position).

4. Kontrollér, at parallelanslaget kan monteres og afmonteres i den oprindelige position (frigjort position).

5. Kontrollér, at parallelanslaget kan glide ubesværet uden slingren, når knappen er drejet halvvejs i dens bevægelsesbane.

BEMÆRKNING: Pas på ikke at stramme skrueerne mere end det strammingsmoment, der er angivet i instruktionerne ovenfor. Hvis De ikke overholder dette, kan det beskadige de fastgjorte dele.

Placér parallelanslaget mod siden af klingens holder. Sørg for, at styrelinjen på anslagets holder peger mod 0-gradinddelingen. Hvis styrelinjen ikke peger mod 0-gradinddelingen, skal De løsne skruen på skalapladen og indstille skalapladen.

► **Fig.33:** 1. Styrelinje 2. Skrue

Tilslutning til støvsuger

Rengøring kan udføres ved at slutte maskinen til en Makita-støvsuger eller -støvsopsamler.

► **Fig.34**

ANVENDELSE

⚠️ FORSIGTIG: Brug altid "arbejdshjælpere" som f.eks. skubbepinde og skubbeblokke, når der er risiko for, at Deres hænder eller fingre vil komme i nærheden af savklingen.

⚠️ FORSIGTIG: Hold altid godt fast på arbejdsemnet med bordet og parallelanslaget eller geringsskalaen. Bøj eller vrid det ikke under fremføringen. Hvis arbejdsemnet bøjes eller vrides, kan der opstå farlige situationer med tilbageslag.

⚠️ FORSIGTIG: Træk ALDRIG arbejdsemnet tilbage, mens savklingen roterer. Hvis det er nødvendigt at trække arbejdsemnet tilbage, før et snit er fuldført, skal De først slukke for maskinen, mens De holder godt fast i arbejdsemnet. Vent, til savklingen står helt stille, før arbejdsemnet trækkes tilbage. Hvis De ikke gør det, kan der opstå farligt tilbageslag.

⚠️ FORSIGTIG: Fjern ALDRIG afskåret materiale, mens savklingen roterer.

⚠️ FORSIGTIG: Anbring ALDRIG hænder eller fingre i savklingens bane. Vær især forsigtig ved skrånit.

⚠️ FORSIGTIG: Spænd altid parallelanslaget godt fast, da der ellers kan forekomme farlige tilbageslag.

⚠️ FORSIGTIG: Brug altid "arbejdshjælpere" som skubbepinde og skubbeblokke, når De saver i små eller smalle arbejdsemner.

Arbejdshjælpere

Skubbepinde, skubbeblokke eller hjælpenslag er typer af "arbejdshjælpere". Brug dem til at save sikkert og trygt, uden at nogen del af operatørens krop kommer i kontakt med savklingen.

Skubbeblok

► **Fig.35:** 1. Beklædning/kant parallel 2. Håndtag
3. Træskrue 4. Limes sammen

Brug et stykke 19 mm krydsfiner.

Håndtaget skal sidde midt på krydsfinerstykket.

Fastgøres med lim og træskrue, som vist. Der skal altid limes et lille stykke træ på 9,5 mm x 8 mm x 50 mm på krydsfineren for at forhindre, at savklingen bliver sløv, hvis operatøren kommer til at skære ind i skubbeblokken. (Brug aldrig søm i en skubbeblok).

Hjælpeanslag

► **Fig.36:** 1. Beklædning/kant parallel

Fremstil hjælpeanslaget af krydsfinerstykker på 9,5 mm og 19 mm.

Flæksavning

⚠FORSIGTIG: Ved flæksavning skal gerings-skalaen fjernes fra bordet.

⚠FORSIGTIG: Når der saves i lange eller store arbejdsemner, skal De altid sørge for passende understøttelse bag ved bordet. **SØRG FOR, at lange brædder IKKE kan flytte sig på bordet.** Dette kan få savklingen til at sidde fast og skabe forøget risiko for tilbageslag og personskade. Understøttelsen skal have samme højde som bordet.

⚠FORSIGTIG: Udfør ikke skrå flæksavning på skråsiden af savklingen.

1. Indstil skæredybden en smule højere end arbejdsemnets tykkelse.
▶ Fig.37
2. Indstil parallelanslaget til den ønskede flækkebredde, og lås det fast ved at dreje knappen. Sørg for, at parallelanslagets bagende er solidt fastgjort før flæksavningen. Hvis det ikke sidder godt fast, skal De følge fremgangsmåderne i afsnittet "Montering og indstilling af parallelanslaget".
3. Tænd for maskinen, og før forsigtigt arbejdsemnet mod savklingen sammen med parallelanslaget.

Hvis flækkebredden er 150 mm eller større, skal De forsigtigt benytte højre hånd til at fremføre arbejdsemnet. Brug venstre hånd til at holde arbejdsemnet ind mod parallelanslaget.

▶ Fig.38

Hvis flækkebredden er 65 mm - 150 mm, skal De bruge en skubbepind til at fremføre arbejdsemnet.

▶ Fig.39: 1. Skubbepind

Hvis flækkebredden er mindre end 65 mm, kan skubbepinden ikke benyttes, da skubbepinden vil støde mod beskyttelseskærmen. Anvend hjælpeanslaget og skubbeblokken. Fastgør hjælpeanslaget til parallelanslaget med to "C"-klemmer.

Fremfør arbejdsemnet med hånden, indtil enden er ca. 25 mm fra bordets forkant.

▶ Fig.40

Fortsæt fremføringen med skubbeblokken oven på hjælpeanslaget, indtil savningen er færdig.

▶ Fig.41: 1. Skubbeblok 2. Hjælpeanslag

Tværsnitsskæring

⚠FORSIGTIG: Ved tværsnitsskæring fjernes parallelanslaget fra bordet.

⚠FORSIGTIG: Når der saves i lange eller store arbejdsemner, skal De altid sørge for passende understøttelse i begge sider af bordet. Understøttelsen skal have samme højde som bordet.

⚠FORSIGTIG: Hold altid hænderne væk fra klingens bane.

Geringsskala

- ▶ Fig.42: 1. Tværsnitsskæring 2. Geringsskæring 3. Skråskæring 4. Kombineret geringsskæring (vinkler)

Anvend geringsskalaen til de 4 typer savning, der er vist i figuren.

⚠FORSIGTIG: Stram knappen på geringsskalaen omhyggeligt.

⚠FORSIGTIG: Undgå, at arbejdsemnet og skalaen vandrer, ved at anbringe arbejdsemnet solidt. Dette er især vigtigt, når der saves i vinkel.

⚠FORSIGTIG: Tag ALDRIG fat i eller hold den del af arbejdsemnet, der skal saves af.

⚠FORSIGTIG: Indstil altid afstanden mellem enden af geringsskalaen og savklingen, så den ikke overskrider 15 mm.

Faste anslag på geringsskalaen

- ▶ Fig.43: 1. Skrue til faste anslag 2. Lille plade 3. Knap

Geringsskalaen har faste anslag ved 90° og 45° højre og venstre geringsvinkler for at lette indstillingen af geringsvinkler.

Løsn knappen på geringsskalaen for at indstille geringsvinklen.

Løft den lille plade på geringsskalaen for fri indstilling. Drej geringsskalaen til den ønskede geringsvinkel. Sæt den lille plade på geringsskalaen tilbage til udgangspositionen, og spænd knappen sikkert med uret.

Anvendelse af geringsskala

- ▶ Fig.44: 1. Rille 2. Geringsskala 3. Knap

Skub geringsskalaen ind i den kraftige rille i bordet.

Løsn knappen på skalaen, og justér den i den ønskede vinkel (0° til 60°). Før materialet op, så det flugter med anslaget, og før det forsigtigt frem mod savklingen.

Ekstraskala (geringskala)

- ▶ Fig.45: 1. Ekstraskala

Ekstraskalaen på geringsskalaen forhindrer, at arbejdsemnet svinger. Løsn skruen på geringsskalaen, og justér ekstraskalaens placering.

Transport af maskinen

- ▶ Fig.46

Kontroller, at maskinen ikke er sat i stikkontakten. Bær maskinen ved at holde i de dele, der er vist i figuren.

⚠FORSIGTIG: Fastgør altid alle bevægelige dele, før maskinen transporteres.

⚠FORSIGTIG: Før maskinen transporteres, skal De sikre, at beskyttelseskærm og ekstrafskærmning er nede, og at den nederste kant på ekstrafskærmningen har kontakt med hovedbordet.

VEDLIGEHOJDELSE

▲FORSIGTIG: Kontrollér altid, at der er slukket for maskinen, og at netstikket er trukket ud, før der udføres eftersyn eller vedligeholdelse.

BEMÆRKNING: Anvend aldrig benzin, rensebenzin, fortynder, alkohol og lignende. Det kan medføre misfarvning, deformation eller revner.

Rengøring

Fjern jævnligt savsmuld og spåner. Rengør omhyggeligt beskyttelseskærmen og de bevægelige dele inde i bordrundsaven. Når De fjerner det savsmuld, der har samlet sig under savklingen, skal De fjerne bordpladeindlægget og bruge trykluft til at blæse savsmuldet væk fra støvsugertilslutningen.

Smøring

For at holde bordrundsaven i tip-top stand, og for at sikre maksimal levetid, skal bevægelige og roterende dele olieres eller smøres jævnligt.

Smøresteder:

- Gevindspindel til hævnng af savklinge
- Hængsel til drejning af ramme
- Hævestyreaskler på motor
- Gear til hævnng af savklinge
- Styreskinner til parallelanslag
- Skaff til låsearme på ekstrabord (H)
- Glidende del af ekstrabord (H)

Udskiftning af kulbørster

Kontrollér regelmæssigt kulbørsterne. Udskift dem, når de er nedslidte til slidgrænsen. Hold kulbørsterne rene og fri til at glide i holderne. Begge kulbørster skal udskiftes samtidigt. Brug kun identiske kulbørster.

► **Fig.47:** 1. Slidgrænse

1. Gem ekstrabord (H). Fjern parallelanslaget, hvis det er gemt.
2. Løsn låsearmen, og drej håndhjulet, indtil savhovedet er vippet i en skråsnitvinkel på 45°. Stram derefter låsearmen.

► **Fig.48:** 1. Parallelanslag 2. Låsearm 3. Håndhjul

3. Læg maskinen på dens højre side.

► **Fig.49**

4. Løsn skruerne i bundpladen, og tag den af.
5. Løsn kulholderdækslerne med en skruetrækker, og fjern de slidte kulbørster.

► **Fig.50:** 1. Bundplade 2. Kulholderdæksel 3. Skruetrækker

6. Sæt de nye kulbørster i, og fastgør kulholderdækslerne.
7. Fastgør bundpladen med skruer, og rejs forsigtigt maskinen op. Gem parallelanslaget, hvis det er blevet fjernet.

For at opretholde produktets SIKKERHED og PÅLIDELIGHED må reparation, vedligeholdelse eller justering kun udføres af et autoriseret Makita servicecenter eller fabrikksservicecenter med anvendelse af Makita reservedele.

EKSTRAUDSTYR

▲FORSIGTIG: Det følgende tilbehør og ekstraudstyr er anbefalet til brug med Deres Makita maskine, der er beskrevet i denne brugsanvisning. Anvendelse af andet tilbehør eller ekstraudstyr kan udgøre en risiko for personskade. Anvend kun tilbehør og ekstraudstyr til det beskrevne formål.

Hvis De behøver hjælp ved valg af tilbehør eller ønsker yderligere informationer, bedes De kontakte Deres lokale Makita servicecenter.

- Stålsavklinger med karbidspids
- Ekstrabord (V)
- Ekstrabord (bagpå)
- Parallelanslag
- Geringsskala
- Forkrøppet skruenøgle 13-22
- Skruenøgle 19
- Sekskantnøgle 5
- Samling (til påsætning af støvsamler)
- Bordrundsavens understel

Se i brugsanvisningen til det understel til bordrundsav, der leveres som valgfrit tilbehør.

BEMÆRK: Nogle ting på denne liste kan være inkluderet i værktøjspakken som standardtilbehør. Det kan være forskellige fra land til land.

ΠΡΟΔΙΑΓΡΑΦΕΣ

Μοντέλο:		2704N
Οπή άξονα (Ειδικό της χώρας)		30 mm / 25,4 mm
Διάμετρος λάμας		260 mm
Μέγιστη ικανότητα κοπής	κωνική γωνία 0°	93 mm
	κωνική γωνία 45°	64 mm
Ταχύτητα χωρίς φορτίο		5.200 min ⁻¹
Διαστάσεις πάγκου (Μ x Π)	με τους βοηθητικούς πάγκους (δεξιά) και (πίσω)	1.045 mm x 1.066 mm (πάγκο εκτεταμένοι) 665 mm x 753 mm (πάγκο αποθηκευμένοι)
	με βοηθητικό πάγκο (δεξιά) χωρίς βοηθητικό πάγκο (πίσω)	567 mm x 1.066 mm (πάγκο εκτεταμένοι) 567 mm x 753 mm (πάγκο αποθηκευμένοι)
Διαστάσεις (Μ x Π x Υ) με πάγκο(ους) μη εκτεταμένο(ους)	με τους βοηθητικούς πάγκους (δεξιά) και (πίσω)	715 mm x 753 mm x 483 mm
	με βοηθητικό πάγκο (δεξιά) χωρίς βοηθητικό πάγκο (πίσω)	665 mm x 753 mm x 483 mm
Καθαρό βάρος		35,2 kg - 37,0 kg
Κατηγορία ασφάλειας		▣/II

- Λόγω του συνεχόμενου προγράμματος που εφαρμόζουμε για έρευνα και ανάπτυξη, τα τεχνικά χαρακτηριστικά στο παρόν έντυπο υπόκεινται σε αλλαγή χωρίς προειδοποίηση.
- Τα τεχνικά χαρακτηριστικά μπορεί να διαφέρουν από χώρα σε χώρα.
- Το βάρος μπορεί να διαφέρει ανάλογα με το(α) εξάρτημα(τα). Ο ελαφρύτερος και βαρύτερος συνδυασμός, σύμφωνα με τη διαδικασία ΕΡΤΑ 01/2014, απεικονίζονται στον πίνακα.

Σύμβολα

Παρακάτω παρουσιάζονται τα σύμβολα που χρησιμοποιούνται για τον εξοπλισμό. Βεβαιωθείτε ότι κατανοείτε τη σημασία τους πριν από τη χρήση.



Διαβάστε το εγχειρίδιο οδηγιών.



ΔΙΠΛΗ ΜΟΝΩΣΗ



Φοράτε γυαλιά ασφαλείας.



Μην πλησιάζετε τα χέρια και τα δάκτυλα σας κοντά στη λάμα.



Μόνο για τις χώρες της ΕΕ
Μην απορρίπτετε ηλεκτρικό εξοπλισμό μαζί με τα οικιακά απορρίμματα! Σύμφωνα με την Ευρωπαϊκή Οδηγία σχετικά με απόβλητο ηλεκτρικό και ηλεκτρονικό εξοπλισμό και την ενσωμάτωσή της στην εθνική νομοθεσία, ο ηλεκτρικός εξοπλισμός που έχει φτάσει, το τέλος ζωής του πρέπει να συλλέγεται ξεχωριστά και να επιστρέφεται σε περιβαλλοντικά συμβατές εγκαταστάσεις ανακύκλωσης.

Προοριζόμενη χρήση

Το εργαλείο προορίζεται για το κόψιμο ξύλου. Με αυτό το εργαλείο διατίθενται ευθεία κοπή, κωνική κοπή και λοξή κοπή. Το εργαλείο αυτό δεν έχει σχεδιαστεί για μη διαμετρική κοπή.

Ηλεκτρική παροχή

Το εργαλείο πρέπει να συνδέεται μόνο με ηλεκτρική παροχή της ίδιας τάσης με αυτή που αναγράφεται στην πινακίδα ονομαστικών τιμών και μπορεί να λειτουργήσει μόνο με εναλλασσόμενο μονοφασικό ρεύμα. Υπάρχει διπλή μόνωση και κατά συνέπεια, μπορεί να γίνει σύνδεση σε ακροδέκτες χωρίς σύρμα γείωσης.

Θόρυβος

Το τυπικό Α επίπεδο καταμετρημένου θορύβου καθορίζεται σύμφωνα με το EN62841:
Στάθμη ηχητικής πίεσης (L_{PA}): 94 dB (A)
Στάθμη ηχητικής ισχύος (L_{WA}): 107 dB (A)
Αβεβαιότητα (K): 3 dB (A)

▲ ΠΡΟΕΙΔΟΠΟΙΗΣΗ: Να φοράτε ωτοασπίδες.

Δήλωση συμμόρφωσης ΕΚ

Μόνο για χώρες της Ευρώπης

Η δήλωση συμμόρφωσης ΕΚ περιλαμβάνεται ως Παράρτημα Α στο παρόν εγχειρίδιο οδηγιών.

ΠΡΟΕΙΔΟΠΟΙΗΣΕΙΣ ΑΣΦΑΛΕΙΑΣ

Γενικές προειδοποιήσεις ασφαλείας για το ηλεκτρικό εργαλείο

⚠️ ΠΡΟΕΙΔΟΠΟΙΗΣΗ: Διαβάστε όλες τις προειδοποιήσεις ασφαλείας, οδηγίες, εικονογραφημένες και προδιαγραφές που παρέχονται με αυτό το ηλεκτρικό εργαλείο. Η μη τήρηση όλων των οδηγιών που αναγράφονται κατωτέρω μπορεί να καταλήξει σε ηλεκτροπληξία, πυρκαγιά ή/και σοβαρό τραυματισμό.

Φυλάξτε όλες τις προειδοποιήσεις και τις οδηγίες για μελλοντική παραπομπή.

Στις προειδοποιήσεις, ο όρος «ηλεκτρικό εργαλείο» αναφέρεται σε ηλεκτρικό εργαλείο που τροφοδοτείται από την κύρια παροχή ηλεκτρικού ρεύματος (με ηλεκτρικό καλώδιο) ή σε ηλεκτρικό εργαλείο που τροφοδοτείται από μπαταρία (χωρίς ηλεκτρικό καλώδιο).

Οδηγίες ασφαλείας για επιτραπέζια πριόνια

Προειδοποιήσεις που σχετίζονται με τα προστατευτικά

- 1. Διατηρείτε τα προστατευτικά στη θέση τους. Τα προστατευτικά πρέπει να βρίσκονται σε λειτουργική κατάσταση και να έχουν προσαρτηθεί σωστά.** Ένα προστατευτικό που είναι χαλαρό, κατεστραμμένο ή δεν λειτουργεί σωστά πρέπει να επισκευαστεί ή να αντικατασταθεί.
- 2. Να βεβαιώνετε ότι η λάμα πριονιού δεν αγγίζει το προστατευτικό, το μαχαίρι επιμήκων τομών ή το τεμάχιο εργασίας πριν ανοίξετε τον διακόπτη.** Η ακούσια επαφή αυτών των στοιχείων με τη λάμα πριονιού μπορεί να προκαλέσει μια επικίνδυνη κατάσταση.
- 3. Προσαρμόστε το μαχαίρι επιμήκων τομών όπως περιγράφεται στο παρόν εγχειρίδιο οδηγιών.** Οι λανθασμένες αποστάσεις, τοποθέτηση και ευθυγράμμιση μπορεί να καταστήσουν το μαχαίρι επιμήκων τομών μη αποδοτικό στη μείωση της πιθανότητας κλοστήματος.
- 4. Για τη λειτουργία του μαχαιριού επιμήκων τομών και των κασάνιων αποφυγής κλοστήματος, αυτά πρέπει να δεσμευτούν στο τεμάχιο εργασίας.** Το μαχαίρι επιμήκων τομών και οι κασάνιες αποφυγής κλοστήματος είναι αναποτελεσματικά κατά την κοπή τεμαχίων εργασίας με μήκος πολύ μικρό για να δεσμευτούν από το μαχαίρι επιμήκων τομών και τις κασάνιες αποφυγής κλοστήματος. Σε αυτές τις συνθήκες, δεν μπορεί να αποφευχθεί το κλόστημα με το μαχαίρι επιμήκων τομών και τις κασάνιες αποφυγής κλοστήματος.
- 5. Χρησιμοποιήστε την κατάλληλη λάμα πριονιού για το μαχαίρι επιμήκων τομών.** Για τη σωστή λειτουργία του μαχαιριού επιμήκων τομών, η διάμετρος της λάμας πριονιού πρέπει να ταιριάζει με το κατάλληλο μαχαίρι επιμήκων τομών, και το σώμα της λάμας πριονιού να είναι πιο λεπτό από το πάχος του μαχαιριού επιμήκων τομών και το πλάτος κοπής της λάμας πριονιού να είναι πιο μεγάλο από το πάχος του μαχαιριού επιμήκων τομών.

Προειδοποιήσεις για τις διαδικασίες κοπής

- 1. ⚠️ ΚΙΝΔΥΝΟΣ:** Μην τοποθετείτε ποτέ τα δάχτυλα ή τα χέρια σας κοντά ή στην ίδια ευθεία με τη λάμα πριονιού. Σε μια στιγμή απροσεξίας ή με ένα γλίστρημα, τα χέρια σας μπορεί να κατευθυνθούν προς τη λάμα πριονιού και να προκληθεί σοβαρός προσωπικός τραυματισμός.
- 2. Να ωθείτε το τεμάχιο εργασίας στη λάμα πριονιού μόνο αντίθετα από την κατεύθυνση περιστροφής.** Αν ωθήσετε το τεμάχιο εργασίας προς την ίδια κατεύθυνση που περιστρέφεται η λάμα πριονιού πάνω από τον πάγκο, μπορεί να έχει ως αποτέλεσμα το τράβηγμα του τεμαχίου εργασίας, και του χεριού σας, προς τη λάμα πριονιού.
- 3. Μην χρησιμοποιήσετε ποτέ τον μετρητή απόκλισης για να ωθήσετε το τεμάχιο εργασίας όταν πραγματοποιείτε επιμήκεις τομές και μην χρησιμοποιήσετε τον οδηγό τεμαχίου ως αναστολέα μήκους όταν πραγματοποιείτε διαμήκη κοπή με τον μετρητή απόκλισης.** Η καθοδήγηση του τεμαχίου εργασίας με τον οδηγό τεμαχίου και τον μετρητή απόκλισης ταυτόχρονα αυξάνει την πιθανότητα εμπλοκής της λάμας πριονιού και του κλοστήματος.
- 4. Όταν πραγματοποιείτε επιμήκεις τομές, να ασκείτε πάντα τη δύναμη ώθησης του τεμαχίου εργασίας μεταξύ του οδηγού και της λάμας πριονιού. Να χρησιμοποιείτε ράβδο ώθησης όταν η απόσταση μεταξύ του οδηγού και της λάμας πριονιού είναι μικρότερη από 150 mm, και να χρησιμοποιείτε τεμάχιο ώθησης όταν αυτή η απόσταση είναι μικρότερη από 50 mm.** Οι «βοηθητικές» διατάξεις θα κρατούν το χέρι σας σε μια ασφαλή απόσταση από τη λάμα πριονιού.
- 5. Να χρησιμοποιείτε μόνο τη ράβδο ώθησης που παρέχει ο κατασκευαστής ή που έχει κατασκευαστεί σύμφωνα με τις οδηγίες.** Αυτή η ράβδος ώθησης παρέχει επαρκή απόσταση μεταξύ του χεριού και της λάμας πριονιού.
- 6. Μην χρησιμοποιείτε ποτέ μια κατεστραμμένη ή κομμένη ράβδο ώθησης.** Μια κατεστραμμένη ράβδος ώθησης μπορεί να σπασεί, προκαλώντας το γλίστρημα του χεριού σας προς τη λάμα πριονιού.
- 7. Μην εκτελείτε καμιά λειτουργία με «ελεύθερα χέρια».** Να χρησιμοποιείτε πάντα είτε τον οδηγό τεμαχίου είτε τον μετρητή απόκλισης για να τοποθετείτε και να καθοδηγήτε το τεμάχιο εργασίας. Ο όρος «ελεύθερα χέρια» σημαίνει να χρησιμοποιείτε τα χέρια σας για να υποστηρίξετε ή να οδηγήτε το τεμάχιο εργασίας αντί να χρησιμοποιείτε έναν οδηγό τεμαχίου ή ένα μετρητή απόκλισης. Το πριόνισμα με «ελεύθερα χέρια» οδηγεί σε λανθασμένη ευθυγράμμιση, εμπλοκή και κλόστημα.
- 8. Μην ντύνεστε ποτέ γύρω ή πάνω από μια περιστρεφόμενη λάμα πριονιού.** Αν ντύνεστε για να φτάσετε ένα τεμάχιο εργασίας μπορεί να οδηγήσει σε τυχαία επαφή με την κινούμενη λάμα πριονιού.
- 9. Παράσχετε βοηθητική στήριξη για το τεμάχιο εργασίας στο πίσω μέρος ή/και στα πλαϊνά του επιτραπέζιου πριονιού για μεγάλα ή/και πλατιά τεμάχια εργασίας, ώστε να παραμένουν ισόπεδα.** Ένα μακρύ ή/και πλατύ τεμάχιο εργασίας έχει την τάση να περιστρέφεται στην άκρη του πάγκου, προκαλώντας απώλεια ελέγχου, αλλά και εμπλοκή και κλόστημα της λάμας πριονιού.

10. **Να ωθείτε το τεμάχιο εργασίας με ομαλό ρυθμό. Μην λυγίζετε και μη συστρέψετε το τεμάχιο εργασίας. Αν συμβεί εμπλοκή, απενεργοποιήστε αμέσως το εργαλείο, βγάλτε το εργαλείο από την πρίζα και μετά καθαρίστε την εμπλοκή.** Η εμπλοκή της λάμας πριονιού από το τεμάχιο εργασίας μπορεί να προκαλέσει κλότσημα ή μπλοκάρισμα του μοτέρ.
11. **Μην αφαιρείτε κομμάτια από κομμένο υλικό ενώ το πριόνι λειτουργεί.** Το υλικό μπορεί να παγιδευτεί μεταξύ του οδηγού ή του εσωτερικού του προφυλακτήρα λάμας πριονιού και της λάμας πριονιού, τραβώντας τα δάχτυλά σας προς τη λάμα πριονιού. Απενεργοποιήστε το πριόνι και περιμένετε έως ότου η λάμα πριονιού ακινητοποιηθεί πριν αφαιρέσετε το υλικό.
12. **Χρησιμοποιήστε έναν βοηθητικό οδηγό σε επαφή με την άνω επιφάνεια του πάγκου όταν πραγματοποιείτε επιμήκεις τομές σε τεμάχια εργασίας με πάχος μικρότερο από 2 mm.** Ένα λεπτό τεμάχιο εργασίας μπορεί να σφηνώσει κάτω από τον οδηγό τεμαχίου και να προκαλέσει κλότσημα.
6. **Πρέπει να στηρίζετε τις μεγάλες πλάκες για να ελαχιστοποιείτε τον κίνδυνο να πιαστεί η λάμα πριονιού και να κλοστηθεί.** Οι μεγάλες πλάκες τείνουν να λυγίζουν κάτω από το βάρος τους. Το(α) στήριγμα(τα) πρέπει να τοποθετείται(ούνται) κάτω από όλα τα τμήματα του τσίγκου που προεξέχει από την άνω επιφάνεια του πάγκου.
7. **Προσέχετε ιδιαίτερα όταν κόβετε ένα τεμάχιο εργασίας που είναι συστραμμένο, αποκλαδωμένο, παραμορφωμένο ή δεν έχει μια ίσια άκρη για να καθοδηγηθεί με έναν μετρητή απόκλισης ή κατά μήκος του οδηγού.** Ένα συστραμμένο, αποκλαδωμένο ή παραμορφωμένο τεμάχιο εργασίας είναι ασταθές και προκαλεί κακή ευθυγράμμιση της εγκοπής με τη λάμα πριονιού, προκαλώντας εμπλοκή και κλότσημα.
8. **Μην κόβετε ποτέ περισσότερα από ένα τεμάχιο εργασίας, στοιβαγμένα κάθεται ή οριζόντια.** Η λάμα πριονιού μπορεί να μαζέψει ένα ή περισσότερα κομμάτια και να προκαλέσει κλότσημα.
9. **Όταν ξεκινάτε ξανά το πριόνι με τη λάμα πριονιού μέσα στο τεμάχιο εργασίας, κεντράρετε τη λάμα πριονιού στην εγκοπή με τρόπο ώστε τα δόντια της λάμας πριονιού να μην έχουν πιαστεί μέσα στο υλικό.** Αν εμπλακεί η λάμα πριονιού, μπορεί να σκώσει το τεμάχιο εργασίας και να προκληθεί κλότσημα όταν εκκινήσει ξανά το πριόνι.

Αιτίες κλοστήματος και σχετικές προειδοποιήσεις
 Το κλότσημα είναι μια ξαφνική αντίδραση του τεμαχίου εργασίας λόγω μιας μαγκωμένης, μπλοκαρισμένης λάμας πριονιού ή μιας κακώς ευθυγραμμισμένης κοπής στο τεμάχιο εργασίας σε σχέση με τη λάμα πριονιού ή λόγω της εμπλοκής ενός μέρους του τεμαχίου εργασίας μεταξύ της λάμας πριονιού και του οδηγού τεμαχίου ή άλλου σταθερού αντικειμένου.

Πολύ συχνά κατά τη διάρκεια κλοστήματος, το τεμάχιο εργασίας σηκώνεται από τον πάγκο από το πίσω τμήμα της λάμας πριονιού και εκτοξεύεται προς τον χειριστή. Το κλότσημα προκαλείται όταν το πριόνι χρησιμοποιείται λανθασμένα ή/και όταν οι διαδικασίες ή οι συνθήκες λειτουργίας είναι λανθασμένες. Μπορεί να αποφευχθεί αν ληφθούν οι κατάλληλες προφυλάξεις που αναφέρονται παρακάτω.

1. **Μην στέκεστε ποτέ στην ίδια ευθεία με τη λάμα πριονιού. Να τοποθετείτε πάντα το σώμα σας στην πλευρά της λάμας πριονιού όπου βρίσκεται ο οδηγός.** Το κλότσημα μπορεί να εκτοξεύσει το τεμάχιο εργασίας με υψηλή ταχύτητα προς οποιονδήποτε στέκεται μπροστά και στην ίδια ευθεία με τη λάμα πριονιού.
2. **Μην τεντώνετε ποτέ πάνω ή πίσω από τη λάμα πριονιού για να τραβήξετε ή να στηρίξετε το τεμάχιο εργασίας.** Μπορεί να συμβεί επαφή με τη λάμα πριονιού κατά λάθος ή μπορούν να συμβούν τα δάχτυλά σας προς τη λάμα πριονιού λόγω κλοστήματος.
3. **Μην κρατάτε και πιέζετε το τεμάχιο εργασίας που αποκόβεται επάνω στην περιστρεφόμενη λάμα πριονιού.** Αν πιέσετε το τεμάχιο εργασίας που αποκόβεται επάνω στη λάμα πριονιού, θα δημιουργηθεί μια κατάσταση εμπλοκής και κλότσημα.
4. **Ευθυγραμμίστε τον οδηγό ώστε να είναι παράλληλος με τη λάμα πριονιού.** Ένας κακώς ευθυγραμμισμένος οδηγός θα συσφίξει το τεμάχιο εργασίας επάνω στη λάμα πριονιού και θα προκαλέσει κλότσημα.
5. **Να είστε ιδιαίτερα προσεκτικοί όταν κάνετε περικοπή σε τυφλές περιοχές συναρμολογημένων τεμαχίων εργασίας.** Μια λάμα πριονιού που προεξέχει μπορεί να κόψει αντικείμενα που μπορούν να προκαλέσουν κλότσημα.

10. **Να διατηρείτε τις λάμες πριονιού καθαρές, αιχμηρές και με επαρκή ρύθμιση των δοντιών τους.** Μην χρησιμοποιείτε ποτέ παραμορφωμένες λάμες πριονιού ή λάμες πριονιού με ραγισμένα ή σπασμένα δόντια. Οι αιχμηρές και σωστά ρυθμισμένες λάμες πριονιού ελαχιστοποιούν την πιθανότητα εμπλοκής, διακοπών λειτουργίας και κλοστήματος.

Προειδοποιήσεις για τη διαδικασία λειτουργίας του επιτραπέζιου πριονιού

1. **Απενεργοποιήστε το επιτραπέζιο πριόνι και βγάλτε το ηλεκτρικό καλώδιο από την πρίζα πριν αφαιρέσετε το ένθετο πάγκου, αλλάξετε τη λάμα πριονιού ή ρυθμίσετε το μαχαίρι επιμήκων τομών, τις κασάνιες αποφυγής κλοστήματος ή τον προφυλακτήρα λάμας πριονιού, καθώς και όταν το μηχάνημα μείνει χωρίς επιτήρηση.** Με τα προληπτικά μέτρα θα αποφευχθούν τα ατυχήματα.
2. **Μην αφήνετε ποτέ το επιτραπέζιο πριόνι σε λειτουργία χωρίς να το προσέχετε.** Απενεργοποιήστε το και μην απομακρυνθείτε από το εργαλείο μέχρι να ακινητοποιηθεί πλήρως. Ένα πριόνι που λειτουργεί χωρίς επιτήρηση αποτελεί έναν κίνδυνο χωρίς έλεγχο.
3. **Εγκαταστήστε το επιτραπέζιο πριόνι σε μια καλά φωτισμένη και επίπεδη επιφάνεια όπου μπορείτε να επιτύχετε καλό πάτημα και ισορροπία. Θα πρέπει να τοποθετηθεί σε μια περιοχή όπου υπάρχει αρκετός χώρος για τον εύκολο χειρισμό του μεγέθους των τεμαχίων εργασίας σας.** Στις ακατάστατες, σκοτεινές περιοχές και στα ανομοιόμορφα, ολισθηρά δάπεδα προκαλούνται πιο εύκολα τα ατυχήματα.
4. **Να καθαρίζετε και να απομακρύνετε συχνά τα πριονίδια που βρίσκονται κάτω από τον πάγκο πριονιού ή/και τη διάταξη συλλογής σκόνης.** Τα συσσωρευμένα πριονίδια είναι καύσιμα και μπορούν να αυτοαναφλεγούν.

5. Το επιτραπέζιο πριόνι πρέπει να είναι ασφαλισμένο. Ένα επιτραπέζιο πριόνι που δεν είναι σωστά ασφαλισμένο μπορεί να μετακινηθεί ή να ανατραπεί.
6. Αφαιρέστε τα εργαλεία, τα υπολείμματα ξύλου, κτλ. από τον πάγκο πριν ενεργοποιήσετε το επιτραπέζιο πριόνι. Η διάσπαση της προσοχής ή μια δυνητική εμπλοκή μπορεί να είναι επικίνδυνες.
7. Να χρησιμοποιείτε πάντα λάμες πριονιού με το σωστό μέγεθος και σχήμα (σχήμα διαμαντιού έναντι στρογγυλού σχήματος) οτών στερέωσης. Οι λάμες πριονιού που δεν ταιριάζουν με τον εξοπλισμό στερέωσης του πριονιού θα λειτουργούν έκκεντρα, προκαλώντας απώλεια ελέγχου.
8. Μην χρησιμοποιήσετε ποτέ κατεστραμμένα ή λανθασμένα μέσα στερέωσης για τη λάμα πριονιού όπως φλάντζες, ροδέλες λάμας πριονιού, μπουλόνια ή παξιμάδια. Αυτά τα μέσα στερέωσης σχεδιάστηκαν ειδικά για το πριόνι σας, για την ασφαλή λειτουργία και τη βέλτιστη απόδοση.
9. Μη στέκεστε ποτέ επάνω στο επιτραπέζιο πριόνι, μην το χρησιμοποιήσετε για σκαμπό. Μπορεί να προκληθεί σοβαρός τραυματισμός αν το εργαλείο κουρέματος ανατραπεί ή αν αγγίξετε κατά λάθος το εργαλείο κοπής.
10. Βεβαιωθείτε ότι η λάμα πριονιού είναι εγκατεστημένη για να περιστρέφεται στη σωστή κατεύθυνση. Μη χρησιμοποιήσετε τροχούς λείανσης, συρμάτινες βούρτσες ή λειαντικούς τροχούς επάνω στο επιτραπέζιο πριόνι. Η λανθασμένη εγκατάσταση της λάμας πριονιού ή η χρήση εξαρτημάτων που δεν συνιστώνται μπορεί να προκαλέσει σοβαρό τραυματισμό.
11. Να αποθηκεύετε πάντα τη ράβδο ώθησης όταν δεν τη χρησιμοποιείτε.
12. Βγάλτε τυχόν χαλαρούς κόμπους από το τεμάχιο εργασίας ΠΡΙΝ ξεκινήσετε να κόβετε. Η σκόνη που προέρχεται από τη λειτουργία περιέχει χημικά τα οποία είναι γνωστά καρκινογόνα, προκαλούν γεννητικές δυσμορφίες ή άλλα αναπαραγωγική ζημιά. Μερικά παραδείγματα τέτοιων χημικών είναι τα εξής:
 - μόλυβδος από υλικά χρωματισμένα με ουσίες με βάση τον μόλυβδο και
 - αρσενικό και χρώμιο από χημικές επεξεργασμένη ξυλεία.
 Ο κίνδυνος από την έκθεση στις ουσίες αυτές διαφέρει, ανάλογα με το πόσο συχνά κάνετε το είδος αυτό της εργασίας. Για να μειώσετε την έκθεσή σας στα χημικά αυτά: εργάζεστε σε μια πολύ καλά αεριζόμενη αίθουσα και εργάζεστε με χρησιμοποίηση εγκυκριμένων εφοδίων ασφάλειας όπως π.χ. με εκείνες τις μάσκες σκόνης που είναι ειδικά σχεδιασμένες να συγκρατούν μικροσκοπικά σωματίδια.
13. Να βεβαιώνετε πάντα ότι ο βοηθητικός προφυλακτήρας είναι κατεβασιμένος και επίπεδος επάνω στον πάγκο πριονιού πριν συνδέσετε το εργαλείο στην πρίζα.
14. Να επιθεωρείτε τα καλώδια προέκτασης (μπαναλάντζες) περιοδικά και να τα αντικαθιστάτε, αν παρουσιάζουν ζημιά.
15. (Για τις Ευρωπαϊκές χώρες μόνο)
Να χρησιμοποιείτε μόνο λάμες πριονιού που συνιστώνται από τον κατασκευαστή, οι οποίες συμμορφώνονται με το EN847-1.

Επιπρόσθετες οδηγίες

1. Να χρησιμοποιείτε μόνο λάμες πριονιού που είναι επισημασμένες με ταχύτητα ίση με ή υψηλότερη από την ταχύτητα που είναι επισημασμένη στο εργαλείο.
2. Επιλέξτε τη σωστή λάμα πριονιού για το υλικό που θα κοπεί.
3. Όταν χειρίζεστε τις λάμες πριονιού, να φοράτε γάντια.
4. Καθαρίστε τον άξονα, τις φλάντζες (ειδικά την επιφάνεια εγκατάστασης) και το εξαγωνικό παξιμάδι πριν τοποθετήσετε τη λάμα. Η κακή εγκατάσταση μπορεί να προκαλέσει δόνηση/ταλάντωση ή ολίσθηση της λάμας.
5. Μην κόβετε μεταλλικά αντικείμενα όπως καρφιά και βίδες. Ελέγξτε και αφαιρέστε όλα τα καρφιά, τις βίδες και τα άλλα ξένα αντικείμενα από το τεμάχιο εργασίας πριν από τη λειτουργία.
6. ΜΗΝ επιτρέπετε σε κανέναν να στέκετε στην ίδια ευθεία με την τροχιά της λάμας πριονιού.
7. Πριν χρησιμοποιήσετε το εργαλείο στο πραγματικό τεμάχιο εργασίας, αφήστε το να τρέξει για λίγο. Παρακολουθήστε το για κραδασμούς ή ταλαντώσεις που μπορεί να δείχνουν κακή τοποθέτηση ή κακή ισοζύγηση λάμας.
8. Δεν πρέπει να χρησιμοποιείτε το εργαλείο για να κάνετε σχισμές, να ανοίγετε θέσεις υποδοχών ή να χαράζετε αυλάκια.
9. Αντικαταστήστε το ένθετο πάγκου όταν παρουσιάσει φθορά.

ΤΟΠΟΘΕΤΗΣΗ

Τοποθέτηση επιτραπέζιου πριονιού

- ▶ **Εικ.1:** 1. Οπή διαμέτρου 8 mm
- ▶ **Εικ.2:** 1. Στάνταρ ροδέλα 6 mm 2. Ξυλόβιδα αρ. 10 με ελάχιστο μήκος 40 mm
- ▶ **Εικ.3:** 1. Στάνταρ ροδέλα 6 mm 2. Μπουλόνι και παξιμάδι στερέωσης 6 mm σφηνιμένα καλά

Εγκαταστήστε το επιτραπέζιο πριόνι σε μια καλά φωτισμένη και επίπεδη επιφάνεια όπου μπορείτε να επιτύχετε καλό πάτημα και ισορροπία. Θα πρέπει να τοποθετηθεί σε μια περιοχή όπου υπάρχει αρκετός χώρος για τον εύκολο χειρισμό του μεγέθους των τεμαχίων εργασίας σας. Το επιτραπέζιο πριόνι θα πρέπει να είναι στερεωμένο με τέσσερις βίδες ή μπουλόνια στον πάγκο εργασίας ή στη βάση του επιτραπέζιου πριονιού χρησιμοποιώντας τις οπές που βρίσκονται στο κάτω μέρος του επιτραπέζιου πριονιού. Όταν στερεώνετε το επιτραπέζιο πριόνι στον πάγκο εργασίας, βεβαιωθείτε ότι υπάρχει ένα άνοιγμα στο επάνω μέρος του πάγκου εργασίας ίδιου μεγέθους με το άνοιγμα στο κάτω μέρος του επιτραπέζιου πριονιού έτσι ώστε τα πριονίδια να μπορούν να πέφτουν ανάμεσα. Αν κατά τη διάρκεια της λειτουργίας εμφανιστεί κάποια τάση ανατροπής, ολίσθησης ή μετακίνησης του επιτραπέζιου πριονιού, ο πάγκος εργασίας ή η βάση του επιτραπέζιου πριονιού θα πρέπει να στερεωθούν στο πάτωμα.

Αποθήκευση εξαρτημάτων

- **Εικ.4:** 1. Μετρητής απόκλισης
- **Εικ.5:** 1. Οδηγός τεμαχίου 2. Ράβδος ώθησης 3. Καστάνιες αποφυγής κλοστήματος

Ο μετρητής απόκλισης, η λάμα πριονιού και τα κλειδιά μπορούν να αποθηκευτούν στην αριστερή πλευρά της βάσης. Επίσης, ο οδηγός τεμαχίου, η ράβδος ώθησης και οι καστάνιες αποφυγής κλοστήματος μπορούν να αποθηκευτούν στη δεξιά πλευρά της βάσης.

ΠΕΡΙΓΡΑΦΗ ΛΕΙΤΟΥΡΓΙΑΣ

▲ ΠΡΟΣΟΧΗ: Να βεβαιώνετε πάντα ότι το εργαλείο είναι σβηστό και αποσυνδεδεμένο από την ηλεκτρική παροχή πριν ρυθμίζετε ή ελέγχετε κάποια λειτουργία του.

Προφυλακτήρας λάμας

▲ ΠΡΟΕΙΔΟΠΟΙΗΣΗ: Μην παραβιάσετε και μην αφαιρέσετε ποτέ τον προφυλακτήρα λάμας. Μια εκτεθειμένη λάμα λόγω αχρήστευσης του προφυλακτήρα μπορεί να καταλήξει σε σοβαρό τραυματισμό στη διάρκεια της λειτουργίας.

▲ ΠΡΟΕΙΔΟΠΟΙΗΣΗ: Μην χρησιμοποιήσετε ποτέ το εργαλείο αν ο προφυλακτήρας λάμας είναι κατεστραμμένος, ελαττωματικός ή έχει αφαιρεθεί. Η λειτουργία του εργαλείου με προφυλακτήρα ο οποίος έχει υποστεί ζημία, είναι ελαττωματικός ή έχει αφαιρεθεί μπορεί να καταλήξει σε σοβαρό τραυματισμό.

- **Εικ.6:** 1. Προφυλακτήρας λάμας 2. Βοηθητικός προφυλακτήρας

Όταν πραγματοποιείτε κοπή, στρώστε το τεμάχιο εργασίας προς τη λάμα με το κάτω άκρο του βοηθητικού προφυλακτήρα να έρχεται σε επαφή με τον κύριο πάγκο. Καθώς ωθείτε το τεμάχιο εργασίας, ο προφυλακτήρας λάμας και ο βοηθητικός προφυλακτήρας περνούν πάνω από το άκρο του τεμαχίου εργασίας.

Για την προσωπική σας ασφάλεια, να διατηρείτε πάντα τον προφυλακτήρα λάμας και τον βοηθητικό προφυλακτήρα σε καλή κατάσταση. Οποιαδήποτε ακανόνιστη λειτουργία του προφυλακτήρα λάμας και βοηθητικού προφυλακτήρα θα πρέπει να διορθωθεί αμέσως. Ελέγξτε ότι ο προφυλακτήρας λάμας και ο βοηθητικός προφυλακτήρας είναι κατεβασμένοι και το κάτω άκρο του βοηθητικού προφυλακτήρα έρχεται σε επαφή με τον κύριο πάγκο όταν δεν ωθείται το τεμάχιο εργασίας.

Αν συσσωρευτούν ακαθαρσίες στα διάφανα μέρη, ή έχει προσκολληθεί πριονίδι σε αυτά ώστε να μην είναι πλέον ορατή η λάμα ή/και το τεμάχιο εργασίας, αποσυνδέστε το εργαλείο από την παροχή ρεύματος και καθαρίστε προσεκτικά τα διάφανα μέρη με ένα υγρό πανί. Μη χρησιμοποιείτε διαλύτες ή καθαριστικά με βάση το πετρέλαιο επειδή αυτό μπορεί να προκαλέσει βλάβη στα εξαρτήματα. Αν τα διάφανα μέρη αποχρωματιστούν λόγω γήρανσης ή έκθεσης σε ακτινοβολία UV, επικουρήστε με κάποιο κέντρο σέρβις της Makita για καινούργια ανταλλακτικά. ΜΗΝ ΠΑΡΑΚΑΜΨΕΤΕ ΚΑΙ ΜΗΝ ΑΦΑΙΡΕΣΕΤΕ ΤΟΝ ΠΡΟΦΥΛΑΚΤΗΡΑ ΛΑΜΑΣ ΚΑΙ ΤΟΝ ΒΟΗΘΗΤΙΚΟ ΠΡΟΦΥΛΑΚΤΗΡΑ.

Ρύθμιση του βάθους κοπής

- **Εικ.7:** 1. Λαβή

Το βάθος κοπής μπορεί να ρυθμιστεί αν περιστρέψετε τη λαβή. Περιστρέψτε τη λαβή δεξιόστροφα για να ανυψώσετε τη λάμα πριονιού ή αριστερόστροφα για να τη χαμηλώσετε.

▲ ΠΑΡΑΤΗΡΗΣΗ: Χρησιμοποιήστε ρύθμιση μικρού βάθους όταν κόβετε λεπτά υλικά ώστε να επιτυγχάνετε πιο καθαρή κοπή.

Ρύθμιση της κωνικής γωνίας

- **Εικ.8:** 1. Μοχλός ασφάλισης 2. Δείκτης 3. Τροχός χειρός

Χαλαρώστε τον μοχλό ασφάλισης αριστερόστροφα και περιστρέψτε τον τροχό χειρός μέχρι να επιτευχθεί η επιθυμητή γωνία (0° - 45°). Η κωνική γωνία υποδεικνύεται από το δείκτη.

Μετά την επίτευξη της επιθυμητής γωνίας, σφίξτε τον μοχλό ασφάλισης δεξιόστροφα για να ασφαλίσετε τη ρύθμιση.

▲ ΠΡΟΣΟΧΗ: Αφού ρυθμίσετε την κωνική γωνία, βεβαιωθείτε να σφίξετε καλά τον μοχλό ασφάλισης.

Ρύθμιση των θετικών αναστολέων

- **Εικ.9:** 1. Ρυθμιστική βίδα 90° 2. Ρυθμιστική βίδα 45°

- **Εικ.10**

Το εργαλείο είναι εξοπλισμένο με θετικούς αναστολείς στις 90° και 45° από την επιφάνεια του πάγκου. Για να ελέγξετε και να ρυθμίσετε τους θετικούς αναστολείς, συνεχίστε ως εξής:

Μετακινήστε τον τροχό χειρός όσο πιο πολύ γίνεται περιστρέφοντάς τον. Τοποθετήστε έναν τριγωνικό χάρακα επάνω στον πάγκο και ελέγξτε για να δείτε αν η λάμα πριονιού βρίσκεται στις 90° ή 45° από την επιφάνεια του πάγκου. Αν η λάμα πριονιού βρίσκεται υπό γωνία όπως απεικονίζεται στην Εικ. Α, περιστρέψτε τις ρυθμιστικές βίδες δεξιόστροφα. Αν βρίσκεται υπό γωνία όπως απεικονίζεται στην Εικ. Β, περιστρέψτε τις ρυθμιστικές βίδες αριστερόστροφα για να ρυθμίσετε τους θετικούς αναστολείς.

Αφού ρυθμίσετε τους θετικούς αναστολείς, ρυθμίστε τη λάμα πριονιού στις 90° με την επιφάνεια του πάγκου. Κατόπιν, ρυθμίστε τον δείκτη έτσι ώστε η δεξιά του άκρη να είναι ευθυγραμμισμένη με τις 0° της βαθμολογημένης κλίμακας.

- **Εικ.11:** 1. Δείκτης

Δράση διακόπτη

- **Εικ.12:** 1. Διακόπτης

▲ ΠΡΟΣΟΧΗ: Πριν από τη λειτουργία, βεβαιωθείτε ότι το εργαλείο ενεργοποιείται και απενεργοποιείται.

Για να ξεκινήσετε το εργαλείο, πατήστε το πλήκτρο ON (1).

Για να διακόψετε τη λειτουργία του, πατήστε το πλήκτρο OFF (0).

Δευτερεύον οδηγός (οδηγός τεμαχίου)

- **Εικ.13:** 1. Βίδα συγκράτησης 2. Οδηγός τεμαχίου 3. Δευτερεύον οδηγός 4. Ράγα

Αν ο οδηγός τεμαχίου έρθει κοντά στη λάμα πριονιού, χρησιμοποιήστε τον δευτερεύοντα οδηγό για να στηρίξετε το τεμάχιο εργασίας. Χαλαρώστε τη βίδα συγκράτησης και ολισθήστε τον δευτερεύοντα οδηγό έξω από τη ράγα. Προσαρτήστε τον δευτερεύοντα οδηγό όπως απεικονίζεται και σφίξτε τις βίδες συγκράτησης.

Όταν ο οδηγός τεμαχίου είναι συνδεδεμένος στην αριστερή πλευρά της λάμας πριονιού, αλλάξτε τη θέση του δευτερεύοντα οδηγού. Αφαιρέστε τις βίδες συγκράτησης, τον δευτερεύοντα οδηγό και τη ράγα από τον οδηγό τεμαχίου. Προσαρτήστε χαλαρά τη ράγα στη δεξιά πλευρά του οδηγού τεμαχίου χρησιμοποιώντας τις βίδες συγκράτησης που έχετε αφαιρέσει. Μετά από αυτό, συνδέστε τον δευτερεύοντα οδηγό και σφίξτε τις βίδες συγκράτησης.

- **Εικ.14:** 1. Οδηγός τεμαχίου 2. Δευτερεύον οδηγός 3. Βίδα συγκράτησης 4. Ράγα

Βοηθητικός πάγκος (δεξιά)

- **Εικ.15:** 1. Μοχλός

- **Εικ.16:** 1. Βοηθητικός πάγκος (δεξιά)

Το εργαλείο αυτό διατίθεται με βοηθητικό πάγκο (δεξιά) στη δεξιά πλευρά του κύριου πάγκου. Για να χρησιμοποιήσετε το βοηθητικό πάγκο (δεξιά), σηκώστε και τους δύο μοχλούς στην μπροστινή δεξιά πλευρά, τραβήξτε εντελώς προς τα έξω τον πάγκο (δεξιά) και μετά χαμηλώστε τους μοχλούς για να το ασφαλίσετε.

Όταν χρησιμοποιείτε τον βοηθητικό πάγκο (δεξιά), εντοπίστε την πινακίδα κλίμακας στον βοηθητικό πάγκο, αφού ξεσφίξετε τη βίδα που βρίσκεται σε αυτό με το κατσαβίδι, ώστε να γίνει συνεχόμενο με την πινακίδα κλίμακας στον κύριο πάγκο.

- **Εικ.17:** 1. Πινακίδα κλίμακας 2. Βίδα

Βοηθητικός πάγκος (πίσω)

Προαιρετικό εξάρτημα

- **Εικ.18:** 1. Βοηθητικός πάγκος (πίσω) 2. Βίδα

Για να χρησιμοποιήσετε τον βοηθητικό πάγκο (πίσω), χαλαρώστε τις βίδες στην αριστερή και τη δεξιά πλευρά κάτω από τον πάγκο και τραβήξτε τον έξω και προς τα πίσω στο επιθυμητό μήκος. Στο επιθυμητό μήκος, σφίξτε καλά τις βίδες.

ΠΑΡΑΤΗΡΗΣΗ: Όταν χρησιμοποιείτε τον βοηθητικό πάγκο (πίσω) ταυτόχρονα με τη χρήση του οδηγού τεμαχίου, τραβήξτε προς τα έξω τον βοηθητικό πάγκο (πίσω) περισσότερο από 50 mm ώστε να μη χτυπά επάνω στο άνω άκρο του οδηγού τεμαχίου.

Βοηθητικός πάγκος (αριστερός)

Προαιρετικό εξάρτημα

- **Εικ.19:** 1. Βίδα 2. Βοηθητικός πάγκος (αριστερός)

Μπορείτε να τοποθετήσετε τον βοηθητικό πάγκο (αριστερός) (προαιρετικό εξάρτημα) στην αριστερή πλευρά του πάγκου για να έχετε περισσότερο χώρο.

Καστάνιες αποφυγής κλοστήματος

▲ΠΡΟΕΙΔΟΠΟΙΗΣΗ: Χρησιμοποιήστε τις καστάνιες αποφυγής κλοστήματος όπου είναι δυνατό, καθ' όλη τη διάρκεια των εργασιών κοπής. Αυτό θα βοηθήσει ώστε να αποφευχθεί η ώθηση του υλικού προς τα μπροστά, επάνω στον χειριστή, κατά τη διάρκεια μιας κατάστασης κλοστήματος, γεγονός που μπορεί να έχει ως αποτέλεσμα σοβαρό προσωπικό τραυματισμό.

- **Εικ.20:** 1. Καστάνιες αποφυγής κλοστήματος 2. Σφιγκτήρας

Για να αφαιρέσετε τις καστάνιες αποφυγής κλοστήματος από το εργαλείο, χαλαρώστε τον σφιγκτήρα στη βάση των καστιανών αποφυγής κλοστήματος και μετά τραβήξτε τις προς τα έξω. Για την τοποθέτηση, εκτελέστε τη διαδικασία αφαίρεσης με αντίστροφη σειρά.

ΣΥΝΑΡΜΟΛΟΓΗΣΗ

▲ΠΡΟΣΟΧΗ: Να βεβαιώνετε πάντα ότι το εργαλείο είναι σβηστό και αποσυνδεδεμένο από την ηλεκτρική παροχή πριν εκτελέσετε οποιαδήποτε εργασία σε αυτό.

Τοποθέτηση ή αφαίρεση της λάμας πριονιού

▲ΠΡΟΣΟΧΗ: Να βεβαιώνετε πάντα ότι το εργαλείο είναι σβηστό και αποσυνδεδεμένο από την ηλεκτρική παροχή πριν τοποθετήσετε ή αφαιρέσετε τη λάμα πριονιού.

▲ΠΡΟΣΟΧΗ: Να χρησιμοποιείτε μόνο το παρεχόμενο κλειδί της Makita για να τοποθετείτε ή να αφαιρέσετε τη λάμα πριονιού. Αν δεν το κάνετε αυτό, μπορεί να σφίξετε υπερβολικά ή να μη σφίξετε αρκετά το εξαγωγικό μπουλόνι. Αυτό μπορεί να προκαλέσει τραυματισμό.

▲ΠΡΟΣΟΧΗ: Χρησιμοποιήστε την ακόλουθη λάμα πριονιού. Μη χρησιμοποιείτε λάμες πριονιού που δεν συμμορφώνονται με τα χαρακτηριστικά που καθορίζονται σε αυτά τα εγχειρίδια.

Διάμετρος	Πάχος λάμας	Εντομή
260 mm	Μικρότερη από 1,9 mm	Μεγαλύτερη από 2,1 mm

- Χαλαρώστε τη βίδα στο ένθετο πάγκου και αφαιρέστε την.
- Κρατήστε την εξωτερική φλάντζα με το κλειδί αντιστρίψματος και χαλαρώστε το εξαγωγικό παξιμάδι αριστερόστροφα με το κλειδί. Μετά, αφαιρέστε την εξωτερική φλάντζα.
► **Εικ.21:** 1. Κλειδί αντιστρίψματος 2. Εξαγωγικό παξιμάδι 3. Κλειδί
- Συναρμολογήστε την εσωτερική φλάντζα, το δακτύλιο, τη λάμα πριονιού, την εξωτερική φλάντζα και το εξαγωγικό παξιμάδι στον άξονα, αφού βεβαιωθείτε ότι τα δόντια της λάμας είναι στραμμένα προς τα κάτω μπροστά από τον πάγκο. Να τοποθετείτε πάντα το εξαγωγικό παξιμάδι ώστε η πλευρά με την εσοχή να είναι στραμμένη προς την εξωτερική φλάντζα.
► **Εικ.22:** 1. Εσωτερική φλάντζα 2. Δακτύλιος 3. Λάμα πριονιού 4. Εξωτερική φλάντζα 5. Εξαγωγικό παξιμάδι

▲ ΠΡΟΣΟΧΗ: Βεβαιωθείτε ότι η λάμα πριονιού έχει τοποθετηθεί με τρόπο ώστε τα δόντια να είναι ευθυγραμμισμένα με την κατεύθυνση κοπής (περιστροφή).

▲ ΠΡΟΣΟΧΗ: Ελέγξτε τη διάμετρο της οπής άξονα της λάμας πριονιού πριν τοποθετήσετε τη λάμα πριονιού. Να χρησιμοποιείτε πάντα το σωστό δακτύλιο για την οπή άξονα της λάμας πριονιού που σκοπεύετε να χρησιμοποιήσετε. Το μέγεθος του(ων) παρεχόμενου(ων) δακτυλίου(ων) διαφέρει ανάλογα με τη χώρα.

- Για εργαλείο με λάμα πριονιού με διάμετρο οπής 30 mm, παρέχεται δακτύλιος με εξωτερική διάμετρο 30 mm.
- Για εργαλείο με λάμα πριονιού με διάμετρο οπής 25,4 mm και 25 mm, παρέχονται οι ασημένιοι και μαύροι δακτύλιοι. Χρησιμοποιήστε τον ασημένιο δακτύλιο για λάμα πριονιού με διάμετρο οπής 25,4 mm και τον μαύρο δακτύλιο για λάμα πριονιού με διάμετρο οπής 25 mm.

4. Για να ασφαλίσετε τη λάμα πριονιού στη θέση της, κρατήστε την εξωτερική φλάντζα με το κλειδί αντιστηρίγματος και μετά σφίξτε το εξαγωνικό παξιμάδι δεξιόστροφα με το κλειδί. **ΒΕΒΑΙΩΘΕΙΤΕ ΝΑ ΣΦΙΞΕΤΕ ΚΑΛΑ ΤΟ ΕΞΑΓΩΝΙΚΟ ΠΑΞΙΜΑΔΙ.**

► **Εικ.23:** 1. Κλειδί αντιστηρίγματος 2. Κλειδί

▲ ΠΡΟΣΟΧΗ: Διατηρείτε την επιφάνεια των φλαντζών καθαρή από βρομιά και άλλη προσκολλητική ύλη. Μπορεί να γλιστρήσει η λάμα.

▲ ΠΡΟΣΟΧΗ: Να βεβαιώνετε ότι κρατάτε προσεκτικά το εξαγωνικό παξιμάδι με το κλειδί. Αν σας γλιστρήσει η λαβή από το χέρι, μπορεί το κλειδί να βγει από το εξαγωνικό παξιμάδι και το χέρι σας να χτυπήσει επάνω στα αιχμηρά άκρα της λάμας.

5. Προσαρτήστε τον ένθετο πάγκου στη θέση του με τη βίδα.

Ρύθμιση του μαχαριού επιμήκων τομών

▲ ΠΡΟΣΟΧΗ: Αν η λάμα πριονιού και το μαχαίρι επιμήκων τομών δεν είναι ευθυγραμμισμένα σωστά, μπορεί να προκύψει επικίνδυνη κατάσταση σύσφιγξης κατά τη λειτουργία. Βεβαιωθείτε ότι είναι ευθυγραμμισμένα σωστά. Μπορεί να υποστείτε σοβαρό προσωπικό τραυματισμό όταν χρησιμοποιείτε το εργαλείο χωρίς σωστά ευθυγραμμισμένο μαχαίρι επιμήκων τομών.

▲ ΠΡΟΣΟΧΗ: Μην εκτελείτε ΠΟΤΕ τυχόν ρυθμίσεις ενώ το εργαλείο βρίσκεται σε λειτουργία. Αποσυνδέστε το εργαλείο από την ηλεκτρική παροχή πριν εκτελέσετε τυχόν ρυθμίσεις.

▲ ΠΡΟΣΟΧΗ: Μην αφαιρέσετε το μαχαίρι επιμήκων τομών.

► **Εικ.24:** 1. Προφυλακτράς λάμας 2. Μαχαίρι επιμήκων τομών 3. Βίδα

Η θέση του μαχαριού επιμήκων τομών είναι ρυθμισμένη εργοστασιακά ώστε η λάμα πριονιού και το μαχαίρι επιμήκων τομών να βρίσκονται στην ίδια ευθεία. Ωστόσο, πρέπει να τη ρυθμίσετε αν η λάμα πριονιού και το μαχαίρι επιμήκων τομών δεν βρίσκονται στην ίδια ευθεία.

Χαλαρώστε τη βίδα στο ένθετο πάγκου και αφαιρέστε την από τον κύριο πάγκο. Χαλαρώστε τα εξαγωνικά μπουλόνια (B) και ρυθμίστε το τμήμα στερέωσης του προφυλακτράς λάμας (στήριγμα) ώστε το μαχαίρι επιμήκων τομών να είναι ευθυγραμμισμένο απευθείας πίσω από τη λάμα πριονιού. Κατόπιν, σφίξτε τα εξαγωνικά μπουλόνια (B) για να ασφαλίστε το στήριγμα και τοποθετήστε το ένθετο πάγκο στη θέση του.

► **Εικ.25:** 1. Λάμα 2. Αυτές οι δύο αποστάσεις πρέπει να είναι ίδιες. 3. Μαχαίρι επιμήκων τομών 4. Εξαγωνικά μπουλόνια (B) 5. Εξαγωνικά μπουλόνια (A)

Πρέπει να υπάρχει απόσταση περίπου 4 - 5 mm μεταξύ του μαχαριού επιμήκων τομών και των δοντιών της λάμας. Χαλαρώστε τα εξαγωνικά μπουλόνια (A), ρυθμίστε ανάλογα το μαχαίρι επιμήκων τομών και σφίξτε καλά τα εξαγωνικά μπουλόνια (A). Προσαρτήστε το ένθετο πάγκο στον πάγκο με τη βίδα και μετά ελέγξτε αν ο προφυλακτράς λάμας λειτουργεί ομαλά πριν από την κοπή.

► **Εικ.26:** 1. Μαχαίρι επιμήκων τομών 2. Προφυλακτράς λάμας 3. Απόσταση 4 mm - 5mm

Τοποθέτηση και ρύθμιση του οδηγού τεμαχίου

► **Εικ.27:** 1. Άγκιστρο 2. Κουμπί 3. Ράγα οδήγησης

1. Προσαρμόστε το άγκιστρο στη μύτη του οδηγού τεμαχίου μέσα στην απομακρυσμένη ράγα οδήγησης στον πάγκο ή στον βοηθητικό πάγκο (δεξιά) και τοποθετήστε και στρώξτε τον οδηγό τεμαχίου προς τα μπροστά με τρόπο ώστε ο συγκρατητής οδηγού να δεσμεύει την πιο κοντινή ράγα οδήγησης.

2. Για να ολισθήσετε τον οδηγό τεμαχίου πλαγίως στη ράγα οδήγησης, επιστρέψτε πλήρως το κουμπί επάνω στο συγκρατητή οδηγού χωρίς να τραβήξετε το μοχλό στο κουμπί.

Για να ασφαλίσετε τον οδηγό τεμαχίου, στρέψτε πλήρως το κουμπί στο συγκρατητή οδηγού.

3. Για να αφαιρέσετε τον οδηγό τεμαχίου, τραβήξτε το μοχλό στο κουμπί και στρέψτε το κουμπί πλήρως προς τα εμπρός ενώ τραβάτε το μοχλό.

Για να ελέγξετε αν ο οδηγός τεμαχίου είναι παράλληλος με τη λάμα πριονιού, ασφαλίστε τον οδηγό τεμαχίου 2 - 3 mm μακριά από τη λάμα πριονιού. Σηκώστε τη λάμα μέχρι τη μέγιστη ανύψωση. Σημαδέψτε ένα από τα δόντια της λάμας με ένα μαρκαδόρο. Μετρήστε την απόσταση (A) και (B) μεταξύ του οδηγού τεμαχίου και της λάμας πριονιού. Πάρτε και τις δύο μετρήσεις χρησιμοποιώντας το δόντι που είναι σημειωμένο με το μαρκαδόρο. Αυτές οι δύο μετρήσεις θα πρέπει να είναι ίδιες. Αν ο οδηγός τεμαχίου δεν είναι παράλληλος με τη λάμα πριονιού, συνεχίστε ως εξής:

► **Εικ.28:** 1. Κλίμακα

1. Τοποθετήστε τον οδηγό τεμαχίου στη θέση ολισθησης.

2. Χαλαρώστε τα δύο εξαγωνικά μπουλόνια στον οδηγό τεμαχίου με το εξαγωνικό κλειδί που παρέχεται.

► **Εικ.29:** 1. Εξαγωνικά μπουλόνια

3. Ρυθμίστε τον οδηγό τεμαχίου μέχρι να είναι παράλληλος με τη λάμα πριονιού.

4. Στρέψτε προς τα κάτω το κουμπί στον οδηγό τεμαχίου προς τη μεριά του χειριστή.

5. Σφίξτε τα δύο εξαγωνικά μπουλόνια στον οδηγό τεμαχίου.

► **Εικ.30**

▲ ΠΡΟΣΟΧΗ: Βεβαιωθείτε να ρυθμίσετε τον οδηγό τεμαχίου ώστε να είναι παράλληλος με τη λάμα πριονιού, διαφορετικά μπορεί να προκύψει επικίνδυνη κατάσπαση κλοστήματα.

Όταν ο οδηγός τεμαχίου δεν μπορεί να στερεωθεί σταθερά, ρυθμίστε τον σύμφωνα με την ακόλουθη διαδικασία.

1. Θέστε τον οδηγό τεμαχίου στον πάγκο και κατόπιν στρέψτε το κουμπί στα μισά της διαδρομής του (θέση κίνησης). Σφίξτε τη βίδα (A) μέχρι ο οδηγός τεμαχίου να ακινητοποιηθεί. Μετά, χαλαρώστε κατά 1/4 έως 1/2 της στροφής.

► **Εικ.31:** 1. Οδηγός τεμαχίου 2. Ελευθερωμένη θέση 3. Θέση κίνησης 4. Ασφαλισμένη θέση

► **Εικ.32:** 1. Οδηγός τεμαχίου 2. Θέση κίνησης 3. Βίδα (B) 4. Βίδα (A)

2. Σφίξτε εντελώς τη βίδα (B) και μετά χαλαρώστε κατά περίπου 2 πλήρεις στροφές.

3. Ασφαλίστε τον οδηγό τεμαχίου στρέφοντας πλήρως το κουμπί στο συγκρατητή οδηγού (ασφαλισμένη θέση).

4. Βεβαιωθείτε ότι ο οδηγός τεμαχίου μπορεί να τοποθετηθεί στην αρχική θέση και να αφαιρεθεί από αυτή (ελευθερωμένη θέση).

5. Βεβαιωθείτε ότι ο οδηγός τεμαχίου μπορεί να ολισθήσει ομαλά χωρίς να ταλαντώνεται, όταν το κουμπί βρίσκεται στα μισά της διαδρομής του.

ΕΙΔΟΠΟΙΗΣΗ: Προσέχετε να μη σφίξτε τις βίδες περισσότερο από ό,τι καθορίζεται στις ανωτέρω οδηγίες. Διαφορετικά, μπορεί να προκληθεί ζημιά στα στερεωμένα μέρη.

Φέρτε τον οδηγό τεμαχίου ώστε να εφαρμόσει ισόπεδα επάνω στην πλευρά της λάμας πριονιού. Βεβαιωθείτε ότι η κατευθυντήρια γραμμή στο συγκρατητή οδηγού δείχνει στο 0 της βαθμολογημένης κλίμακας. Αν η κατευθυντήρια γραμμή δεν δείχνει στο 0 της βαθμολογημένης κλίμακας, χαλαρώστε τη βίδα στην πινακίδα κλίμακας και ρυθμίστε την πινακίδα κλίμακας.

► **Εικ.33:** 1. Κατευθυντήρια γραμμή 2. Βίδες

Σύνδεση με ηλεκτρική σκούπα

Οι λειτουργίες μπορεί να είναι πιο καθαρές όταν εκτελούνται με συνδεδεμένο το εργαλείο με την ηλεκτρική σκούπα ή το συλλέκτη σκόνης της Makita.

► **Εικ.34**

ΛΕΙΤΟΥΡΓΙΑ

▲ ΠΡΟΣΟΧΗ: Να χρησιμοποιείτε πάντα «βοηθήματα εργασίας» όπως ράβδους ώθησης και εμπόδια ώθησης όταν υπάρχει κίνδυνος να βρεθούν κοντά στη λάμα πριονιού τα χέρια ή τα δάκτυλά σας.

▲ ΠΡΟΣΟΧΗ: Να κρατάτε πάντα το τεμάχιο εργασίας σταθερά με τον πάγκο και τον οδηγό τεμαχίου ή το μετρητή απόκλισης. Μην το λυγίζετε ούτε να το παραμορφώνετε ενώ ωθείται. Αν το τεμάχιο εργασίας είναι λυγισμένο ή παραμορφωμένο, μπορεί να παρουσιαστούν επικίνδυνα κλοστήματα.

▲ ΠΡΟΣΟΧΗ: Μην αποσύρετε ΠΟΤΕ το τεμάχιο εργασίας ενώ η λάμα πριονιού λειτουργεί. Αν πρέπει να αποσύρετε το τεμάχιο εργασίας πριν ολοκληρώσετε την κοπή, σβήστε πρώτα το εργαλείο ενώ κρατάτε το τεμάχιο εργασίας σταθερά. Περιμένετε έως ότου η λάμα πριονιού να ακινητοποιηθεί εντελώς πριν αποσύρετε το τεμάχιο εργασίας. Αν δεν το κάνετε αυτό, μπορεί να προκληθεί επικίνδυνο κλότσημα.

▲ ΠΡΟΣΟΧΗ: Μην αφαιρείτε ΠΟΤΕ κομμένα κομμάτια ενώ η λάμα πριονιού περιστρέφεται.

▲ ΠΡΟΣΟΧΗ: Μη βάζετε ΠΟΤΕ τα χέρια ή τα δάκτυλά σας στην τροχιά της λάμας πριονιού. Να είστε ιδιαίτερα προσεκτικοί στις κωνικές κοπές.

▲ ΠΡΟΣΟΧΗ: Να ασφαρίζετε πάντα σταθερά τον οδηγό τεμαχίου, διαφορετικά μπορεί να παρουσιαστούν επικίνδυνα κλοστήματα.

▲ ΠΡΟΣΟΧΗ: Να χρησιμοποιείτε πάντα «βοηθήματα εργασίας» όπως ράβδους ώθησης και εμπόδια ώθησης όταν κόβετε μικρά ή στενά τεμάχια εργασίας.

Βοηθήματα εργασίας

Οι ράβδοι ώθησης, τα εμπόδια ώθησης και οι βοηθητικοί οδηγοί είναι τύποι «βοηθημάτων εργασίας». Να τους χρησιμοποιείτε ώστε να κόβετε με ασφάλεια και σιγουριά χωρίς την ανάγκη να έρθει οποιοδήποτε μέρος του χειριστή σε επαφή με τη λάμα πριονιού.

Τεμάχιο ώθησης

► **Εικ.35:** 1. Παράλληλη πρόσοψη/άκρη 2. Λαβή 3. Ξυλόβιδα 4. Κολλήστε μαζί

Χρησιμοποιείτε ένα κομμάτι κοντραπλακέ μεγέθους 19 mm.

Η λαβή θα πρέπει να είναι στο κέντρο του κομματιού κοντραπλακέ. Ασφαλίστε με κόλλα και ξυλόβιδες, όπως απεικονίζεται. Θα πρέπει πάντα να είναι κολλημένο στο κοντραπλακέ ένα μικρό κομμάτι ξύλου με διαστάσεις 9,5 mm x 8 mm x 50 mm για να μην αμβλύνεται η λάμα πριονιού αν ο χειριστής κόψει κατά λάθος το εμπόδιο ώθησης. (Μη χρησιμοποιείτε ποτέ καρφία μέσα σε εμπόδια ώθησης.)

Βοηθητικός οδηγός

► **Εικ.36:** 1. Παράλληλη πρόσοψη/άκρη

Κατασκευάστε βοηθητικό οδηγό από κομμάτια κοντραπλακέ 9,5 mm και 19 mm.

Επιμήκεις τομές

▲ ΠΡΟΣΟΧΗ: Όταν πραγματοποιείτε επιμήκεις τομές, αφαιρέστε τον μετρητή απόκλισης από τον πάγκο.

▲ ΠΡΟΣΟΧΗ: Όταν κόβετε μακριά ή μεγάλα τεμάχια εργασίας, να δίνετε πάντα την απαιτούμενη στήριξη πίσω από τον πάγκο. ΜΗΝ επιτρέψετε σε ένα μακρύ καθρόνι να μετακινείται ή να μεταβάλλει τη θέση του επάνω στον πάγκο. Με αυτόν τον τρόπο θα προκληθεί δόσμευση της λάμας πριονιού και αύξηση της πιθανότητας κλοστήματος και προσωπικού τραυματισμού. Η στήριξη θα πρέπει να είναι στο ίδιο ύψος με το ύψος του πάγκου.

▲ ΠΡΟΣΟΧΗ: Μην εκτελέσετε κωνικές επιμήκεις τομές στην κωνική πλευρά της λάμας πριονιού.

1. Ρυθμίστε το βάθος κοπής λίγο πιο πάνω από το τόπο του τεμαχίου εργασίας.

► **Εικ.37**

2. Τοποθετήστε τον οδηγό τεμαχίου στο επιθυμητό πάχος επιμήκους τομής και ασφαλίστε στη θέση αυτή στέφοντας το κουμπί. Πριν πραγματοποιήσετε επιμήκεις τομές, βεβαιωθείτε ότι το πίσω μέρος του οδηγού τεμαχίου είναι καλά ασφαλισμένο. Αν δεν είναι ασφαλισμένο καλά, ακολουθήστε τις διαδικασίες στην ενότητα με τίτλο «Τοποθέτηση και ρύθμιση του οδηγού τεμαχίου».

3. Θέστε το εργαλείο σε λειτουργία και ωθήστε αργά το τεμάχιο εργασίας προς τη λάμα πριονιού μαζί με τον οδηγό τεμαχίου. Όταν το πλάτος των επιμήκων τομών είναι 150 mm και πλατύτερο, να χρησιμοποιείτε προσεκτικά το δεξί σας χέρι για να ωθήσετε το τεμάχιο εργασίας. Να χρησιμοποιείτε το αριστερό σας χέρι για να κρατάτε το τεμάχιο εργασίας στη θέση δίπλα στον οδηγό τεμαχίου.

► **Εικ.38**

Όταν το πλάτος των επιμήκων τομών είναι 65 mm - 150 mm, να χρησιμοποιείτε τη ράβδο ώθησης για να ωθείτε το τεμάχιο εργασίας.

► **Εικ.39:** 1. Ράβδος ώθησης

Όταν το πλάτος των επιμήκων τομών είναι στενότερο από 65 mm, δεν μπορείτε να χρησιμοποιείτε τη ράβδο ώθησης επειδή θα χτυπήσει τον προφυλακτήρα λάμας. Να χρησιμοποιείτε τον βοηθητικό οδηγό και το εμπόδιο ώθησης. Προσαρτήστε τον βοηθητικό οδηγό στον οδηγό τεμαχίου τομών με τους δύο σφιγκτήρες σχήματος «C». Να ωθείτε το τεμάχιο εργασίας με το χέρι μέχρι το άκρο να απέχει 25 mm από το μπροστινό άκρο του πάγκου.

► **Εικ.40**

Συνεχίστε να ωθείτε χρησιμοποιώντας το εμπόδιο ώθησης στο πάνω μέρος του βοηθητικού οδηγού έως ότου ολοκληρώσετε την κοπή.

► **Εικ.41:** 1. Τεμάχιο ώθησης 2. Βοηθητικός οδηγός

Διαμήκης κοπή

▲ ΠΡΟΣΟΧΗ: Όταν εκτελείτε διαμήκης κοπή, αφαιρέστε τον οδηγό τεμαχίου από τον πάγκο.

▲ ΠΡΟΣΟΧΗ: Όταν κόβετε μακριά ή μεγάλα τεμάχια εργασίας, να δίνετε πάντα την απαιτούμενη στήριξη στις πλευρές του πάγκου. Η στήριξη θα πρέπει να είναι στο ίδιο ύψος με το ύψος του πάγκου.

▲ ΠΡΟΣΟΧΗ: Να κρατάτε πάντα τα χέρια σας μακριά από την τροχιά της λάμας.

Μετρητής απόκλισης

► **Εικ.42:** 1. Διαμήκης κοπή 2. Απόκλιση 3. Κωνική κοπή 4. Σύνθετη απόκλιση (γωνίες)

Να χρησιμοποιείτε τον μετρητή απόκλισης για τους 4 τύπους κοπής που απεικονίζονται στην εικόνα.

▲ ΠΡΟΣΟΧΗ: Ασφαλίστε προσεκτικά το κουμπί στον μετρητή απόκλισης.

▲ ΠΡΟΣΟΧΗ: Αποφύγετε την ολίσθηση του τεμαχίου εργασίας και του μέτρησι με κάποια διάταξη σταθερής συγκράτησης τεμαχίου, ειδικά αν κόβετε υπό γωνία.

▲ ΠΡΟΣΟΧΗ: Μην κρατάτε και μη σφίγγετε ΠΟΤΕ το τμήμα του τεμαχίου εργασίας που προορίζεται για κοπή.

▲ ΠΡΟΣΟΧΗ: Να ρυθμίζετε πάντα την απόσταση μεταξύ του άκρου του μετρητή απόκλισης και της λάμας πριονιού ώστε να μην υπερβαίνει τα 15 mm.

Θετικός αναστολέας μετρητή απόκλισης

► **Εικ.43:** 1. Βίδα για θετικό αναστολέα 2. Μικρή πλάκα 3. Κουμπί

Ο μετρητής απόκλισης παρέχεται με θετικούς αναστολείς στις 90° και 45° δεξιά και αριστερά των γωνιών απόκλισης για γρήγορη ρύθμιση των γωνιών απόκλισης.

Για να ρυθμίσετε τη γωνία απόκλισης, χαλαρώστε το κουμπί στον μετρητή απόκλισης.

Ανυψώστε τη μικρή πλάκα του μετρητή απόκλισης για ελεύθερη ρύθμιση. Περιστρέψτε τον μετρητή απόκλισης στην επιθυμητή γωνία απόκλισης. Επιστρέψτε τη μικρή πλάκα του μετρητή απόκλισης στην αρχική θέση και σφίξτε καλά το κουμπί δεξιόστροφα.

Χρήση μετρητή απόκλισης

► **Εικ.44:** 1. Εγκοπή 2. Μετρητής απόκλισης 3. Κουμπί

Περάστε τον μετρητή απόκλισης μέσα στα μεγάλα αυλάκια του πάγκου. Χαλαρώστε το κουμπί στον μετρητή και ευθυγραμμίστε στην επιθυμητή γωνία (0° έως 60°). Φέρτε το κομμάτι ώστε να εφαρμόζει εντελώς επάνω στο επίπεδο του οδηγού και προωθήστε απαλά προς τη λάμα πριονιού.

Βοηθητικός μετρητής (μετρητής απόκλισης)

► **Εικ.45:** 1. Βοηθητικός μετρητής

Ο βοηθητικός μετρητής στον μετρητή απόκλισης εμποδίζει την ταλάντωση του τεμαχίου εργασίας. Χαλαρώστε τη βίδα στον μετρητή απόκλισης και ρυθμίστε τη θέση του βοηθητικού μετρητή.

Μεταφορά εργαλείου

► **Εικ.46**

Βεβαιωθείτε ότι το εργαλείο δεν είναι συνδεδεμένο στην ηλεκτρική παροχή. Μεταφέρετε το εργαλείο κρατώντας το μέρος του εργαλείου όπως απεικονίζεται στην εικόνα.

▲ ΠΡΟΣΟΧΗ: Να ασφαρίζετε πάντα όλα τα κινούμενα τμήματα πριν μεταφέρετε το εργαλείο.

▲ ΠΡΟΣΟΧΗ: Πριν μεταφέρετε το εργαλείο, βεβαιωθείτε ότι ο προφυλακτήρας λάμας και ο βοηθητικός προφυλακτήρας είναι κατεβασμένοι και το κάτω άκρο του βοηθητικού προφυλακτήρα έρχεται σε επαφή με τον κύριο πάγκο.

ΣΥΝΤΗΡΗΣΗ

▲ ΠΡΟΣΟΧΗ: Να βεβαιώνετε πάντα ότι το εργαλείο είναι σβηστό και αποσυνδεδεμένο από την ηλεκτρική παροχή πριν εκτελέσετε οποιαδήποτε εργασία επιθεώρησης ή συντήρησης σε αυτό.

ΕΙΔΟΠΟΙΗΣΗ: Μην χρησιμοποιείτε ποτέ βενζίνη, πετρελαϊκό αιθέρα, διαλυτικό, αλκοόλη ή παρόμοιες ουσίες. Μπορεί να προκληθεί αποχρωματισμός, παραμόρφωση ή ρωγμές.

Καθαρισμός

Να καθαρίζετε περιστασιακά τη σκόνη πριονίσματος και τα πριονίδια. Καθαρίστε προσεκτικά τον προφυλακτήρα λάμας και τα κινούμενα μέρη μέσα στο επιτραπέζιο πριόνι.

Όταν αφαιρείτε το πριονίδι που έχει συσσωρευτεί κάτω από τη λάμα πριονιού, αφαιρέστε το ένθετο πάγκου και χρησιμοποιήστε φουσητήρα αέρα για να φουσήξετε το πριονίδι από τη σύνδεση για την ηλεκτρική σκούπα.

Λίπανση

Για να κρατάτε το επιτραπέζιο πριόνι στη βέλτιστη κατάσταση λειτουργίας και για να εξασφαλίσετε τη μέγιστη ζωή λειτουργίας, να λιπαίνετε με λάδι ή γράσο τα κινούμενα και περιστρεφόμενα μέρη περιστασιακά.

Μέρη για λίπανση:

- Αξονίσκος με σπείρωμα για ανύψωση της λάμας πριονιού
- Εύκαμπτος σύνδεσμος για την περιστροφή του πλαισίου
- Άξονες οδηγών ανύψωσης στο μοτέρ
- Μηχανισμός για ανύψωση της λάμας πριονιού
- Ράγες οδήγησης για τον οδηγό τεμαχίου
- Άξονας των μοχλών ασφάλισης του βοηθητικού πάγκου (δεξιά)
- Τμήμα ολίσθησης του βοηθητικού πάγκου (δεξιά)

Αντικατάσταση καρβουνακίων

Να ελέγχετε τακτικά τα καρβουνάκια.

Αντικαταστήστε τα όταν φθαρούν μέχρι το σημάδι ορίου. Κρατάτε τα καρβουνάκια καθαρά και ελεύθερα να ολισθαίνουν στις θήκες. Και τα δύο καρβουνάκια πρέπει να αντικαθίστανται ταυτόχρονα. Να χρησιμοποιείτε μόνο καρβουνάκια ίδιου τύπου.

► **Εικ.47:** 1. Σημάδι ορίου

1. Αποθηκεύστε τον βοηθητικό πάγκο (δεξιά). Αφαιρέστε τον οδηγό τεμαχίου αν είναι αποθηκευμένο.

2. Χαλαρώστε τον μοχλό ασφάλισης και περιστρέψτε τον τροχό χειρός μέχρι η κεφαλή πριονιού να πάρει κλίση σε κωνική γωνία 45°. Μετά από αυτό, σφίξτε τον μοχλό ασφάλισης.

► **Εικ.48:** 1. Οδηγός τεμαχίου 2. Μοχλός ασφάλισης 3. Τροχός χειρός

3. Φέρτε το εργαλείο όρθιο στη δεξιά πλευρά του.

► **Εικ.49**

4. Χαλαρώστε τις βίδες στην κάτω πλάκα και αφαιρέστε την.

5. Χαλαρώστε τα καπάκια θηκών καρβουνακίων με ένα κατσαβίδι και αφαιρέστε τα φθαρμένα καρβουνάκια.

► **Εικ.50:** 1. Κάτω πλάκα 2. Καπάκι θήκης καρβουνακίου 3. Κατσαβίδι

6. Εισαγάγετε τα καινούργια καρβουνάκια και ασφαλίστε τα καπάκια θηκών καρβουνακίων.

7. Προσαρτήστε την κάτω πλάκα με βίδες και ακουμπήστε προσεκτικά το εργαλείο στο κάτω μέρος του. Αποθηκεύστε τον οδηγό τεμαχίου στην περίπτωση που τον αφαιρέσετε.

Για τη διατήρηση της ΑΣΦΑΛΕΙΑΣ και ΑΞΙΟΠΙΣΤΙΑΣ του προϊόντος, οι επισκευές και οποιαδήποτε άλλη εργασία συντήρησης ή ρύθμισης πρέπει να εκτελούνται από εξουσιοδοτημένα ή εργοστασιακά κέντρα εξυπηρέτησης της Makita, χρησιμοποιώντας πάντοτε ανταλλακτικά της Makita.

ΠΡΟΑΙΡΕΤΙΚΑ ΕΞΑΡΤΗΜΑΤΑ

▲ ΠΡΟΣΟΧΗ: Αυτά τα εξαρτήματα ή προσαρτήματα συνιστώνται για χρήση με το εργαλείο Makita που περιγράφηκε στις οδηγίες αυτές. Η χρήση οποιωνδήποτε άλλων εξαρτημάτων ή προσαρτημάτων μπορεί να προκαλέσει κίνδυνο τραυματισμού σε άτομα. Να χρησιμοποιείτε τα εξαρτήματα ή προσαρτήματα μόνο για την χρήση που προορίζονται.

Εάν χρειάζεστε οποιαδήποτε βοήθεια για περισσότερες πληροφορίες σε σχέση με αυτά τα εξαρτήματα, αποσπείρετε στο τοπικό σας κέντρο εξυπηρέτησης Makita.

- Ατσάλινες λάμες πριονιού με μύτες καρβιδίου
- Βοηθητικός πάγκος (αριστερός)
- Βοηθητικός πάγκος (πίσω)
- Οδηγός τεμαχίου
- Μετρητής απόκλισης
- Κλειδί αντιστηρίγματος 13-22
- Κλειδί 19
- Εξαγωνικό κλειδί 5
- Σύνδεσμος (για σύνδεση με τον συλλέκτη σκόνης)
- Στ βάσης του επιτραπέζιου πριονιού

Ανατρέξτε στο εγχειρίδιο οδηγιών για τη βάση του επιτραπέζιου πριονιού που συνοδεύει τη βάση του επιτραπέζιου πριονιού ως προαιρετικό εξάρτημα.

ΠΑΡΑΤΗΡΗΣΗ: Μερικά στοιχεία στη λίστα μπορεί να συμπεριλαμβάνονται στη συσκευασία εργαλείου ως στάνταρ εξαρτήματα. Μπορεί να διαφέρουν ανάλογα με τη χώρα.

TEKNİK ÖZELLİKLER

Model:		2704N
Mil deliği (Ülkeye özgü)		30 mm / 25,4 mm
Bıçak çapı		260 mm
Maksimum kesme kapasiteleri	eğim 0°	93 mm
	eğim 45°	64 mm
Yüksüz hız		5.200 min ⁻¹
Tezgah boyu (U x G)	yardımcı tezgahlar (sağ) ve (arka) ile	1.045 mm x 1.066 mm (tezgahlar çekili) 665 mm x 753 mm (tezgahlar çekili değil)
	yardımcı tezgah (sağ) ile yardımcı tezgah (arka) olmadan	567 mm x 1.066 mm (tezgah çekili) 567 mm x 753 mm (tezgah çekili değil)
Boyutlar (U x G x Y), tezgah (lar) çekili değil	yardımcı tezgahlar (sağ) ve (arka) ile	715 mm x 753 mm x 483 mm
	yardımcı tezgah (sağ) ile yardımcı tezgah (arka) olmadan	665 mm x 753 mm x 483 mm
Net ağırlık		35,2 kg - 37,0 kg
Emniyet sınıfı		□/II

- Sürekli yapılan araştırma ve geliştirmelerden dolayı, burada belirtilen özellikler önceden bildirilmeksizin değiştirilebilir.
- Özellikler ülkeden ülkeye değişebilir.
- Ağırlık, ek parçaya(parçalara) bağlı olarak değişebilir. En hafif ve en ağır kombinasyon, EPTA Prosedürü 01/2014'e göre, tabloda gösterilmiştir.

Semboller

Aşağıdakiler makineniz için kullanılan sembolleri göstermektedir. Kullanmadan önce manalarını anladığınızdan emin olunuz.



Kullanma kılavuzunu okuyun.



ÇİFT YALITIMLI



Güvenlik gözlüğü takın.



Elinizi ve parmaklarınızı bıçağa
yaklaştırmayın.



Sadece AB ülkeleri için
Elektrik donanımını evsel atıklarla birlikte
bertaraf etmeyiniz! Kullanılmış elektrikli
cihazları, Elektrikli ve Elektronik Cihaz
Atıkları Hakkındaki Avrupa Yönergesine
göre ve bu yönergeler ulusal hukuk kural-
larına göre uyarılanarak, ayrı olarak toplan-
malı ve çevre şartlarına uygun bir şekilde
tekrar değerlendirmeye gönderilmelidir.

Kullanım amacı

Bu alet ahşap kesmek üzere tasarlanmıştır.
Bu alet ile düz kesim, eğimli kesim ve gönyeli kesim
yapılabilir. Bu alet dekapaj kesimi için tasarlanmamıştır.

Güç kaynağı

Aletin, yalnızca isim levhasında belirtilenle aynı voltajlı
güç kaynağına bağlanması gerekir ve yalnızca tek fazlı
AC güç kaynağıyla çalıştırılabilir. Çifte yalıtımlıdır ve
topraklamasız prizlerle de kullanılabilir.

Gürültü

Tipik A-ağırlıklı gürültü düzeyi (EN62841 standardına
göre belirlenen):
Ses basınç seviyesi (L_{PA}): 94 dB (A)
Ses gücü düzeyi (L_{WA}): 107 dB (A)
Belirsizlik (K): 3 dB (A)

⚠UYARI: Kulak koruyucuları takın.

EC Uygunluk Beyanı

Sadece Avrupa ülkeleri için

EC uygunluk beyanı bu kullanım kılavuzuna Ek A olarak
eklenmiştir.

GÜVENLİK UYARILARI

Genel elektrikli alet güvenliği uyarıları

⚠UYARI: Bu elektrikli aletle birlikte sunulan tüm güvenlik uyarılarını, talimatları, çizimleri ve teknik özellikleri okuyun. Aşağıda verilen talimatlara uyulmaması elektrik şoku, yangın ve/veya ciddi yaralanmalar ile sonuçlanabilir.

Tüm uyarıları ve talimatları ile-ride başvurmak için saklayın.

Uyarılardaki "elektrikli alet" terimi ile ya prizden çalışan (kordonlu) elektrikli aletinizi ya da kendi aküsü ile çalışan (kordsuz) elektrikli aletinizi kastedilmektedir.

Tezgah testereleer için güvenlik talimatları

Siperler ile ilgili uyarılar

- Siperler takılı tutun. Siperler çalışır durumda ve düzgün monte edilmiş olmalıdır.** Gevşek, hasarlı veya düzgün çalışmayan bir siper onarılmalı veya değiştirilmelidir.
- Alet çalıştırılmadan önce testere bıçağının siperle, ayırma kamasına veya iş parçasına temas etmediğinden emin olun.** Testere bıçağının bu elemanlara yanlışlıkla temas etmesi tehlikeli bir duruma yol açabilir.
- Ayırma kamasını bu kullanma kılavuzunda anlatıldığı gibi ayarlayın.** Hatalı boşluk bırakma, konumlandırma ve hizalama, ayırma kamasını geri tepme ihtimalini azaltmada etkisiz bırakabilir.
- Ayırma kaması ve geri tepme önleme tırnaklarının çalışması için iş parçasına geçmeleri gerekir.** Ayırma kaması ve geri tepme önleme tırnaklarının geçemeyeceği kadar çok kısa iş parçalarını keserken ayırma kaması ve geri tepme önleme tırnakları etkili değildir. Bu şartlar altında geri tepme, ayırma kaması ve geri tepme önleme tırnakları tarafından engellenemez.
- Ayırma kamasına uygun testere bıçağı kullanın.** Ayırma kamasının düzgün çalışabilmesi için testere bıçağı çapı, uygun ayırma kaması ile eşleşmeli ve testere bıçağının gövdesi, ayırma kamasının kalınlığından daha ince olmalı ve testere bıçağının kesme genişliği ayırma kamasının kalınlığından daha geniş olmalıdır.

Kesme işlemleri uyarıları

- ⚠ TEHLİKE: Ellerinizi veya parmaklarınızı asla testere bıçağının yakınına veya hattına koymayın.** Bir anlık bir dikkatsizlik veya kayma elinizi testere bıçağına doğru yönlendirerek ciddi yaralanmayla sonuçlanabilir.
- İş parçasını testere bıçağına sadece dönüş yönünün zıttı yönünde sürün.** İş parçasının tezgahın üstünde testere bıçağının döndüğü yönde aynı yönde sürülmesi, iş parçasının ve elinizin testere bıçağına çekilmesine neden olabilir.

- Düz kesim yaparken iş parçasını sürmek için asla gönye cetvelini kullanmayın ve gönye cetveli ile enine kesim yaparken destek perdesini bir uzunluk dayanağı olarak kullanmayın.** İş parçasını destek perdesi ve gönye cetveli ile aynı anda yönlendirmek testere bıçağının takılıma ve geri tepme ihtimalini artırır.
- Düz kesim yaparken iş parçası sürme gücünü daima perde ile testere bıçağı arasında uygulayın.** Perde ile testere bıçağı arasındaki mesafe 150 mm'den az ise bir itirme çubuğu, mesafe 50 mm'den az ise itirme bloğu kullanın. "İş destek" aygıtları elinizi testere bıçağından güvenli bir mesafede tutacaktır.
- Sadece üretici firma tarafından verilen veya talimatlara uygun olarak üretilen itirme çubuğunu kullanın.** Bu itirme çubuğu elinize testere bıçağı arasında güvenli mesafe sağlar.
- Asla hasarlı veya kesik itirme çubuğu kullanmayın.** Hasarlı bir itirme çubuğu kırılarak elinizin testere bıçağına kaymasına neden olur.
- Hiçbir işlemi "sadece elinizi" kullanarak yapmayın.** İş parçasını konumlandırmak ve yönlendirmek için daima ya destek perdesini ya da gönye cetvelini kullanın. "Sadece elinizi" derken iş parçasını desteklemek veya yönlendirmek için, destek perdesi veya gönye cetveli yerine ellerinizi kullanmayı kastediyoruz. Sadece elinizi kullanarak kesim yapmak hatalı hizalamaya, bıçağın takılımasına ve geri tepmeye yol açar.
- Dönen testere bıçağının etrafından veya üzerinden asla uzanmayın.** İş parçasına uzanmak hareket halindeki testere bıçağına kazara temas edilmesine yol açabilir.
- Uzun ve/veya geniş iş parçalarını düz tutmak için testere tezgahının arka ve/veya yanlarına yardımcı iş parçası desteği koyun.** Uzun ve/veya geniş iş parçası tezgahın kenarına dönme eğilimi göstermekte olup kontrolün kaybolmasına, testere bıçağının takılmasına ve geri tepmeye neden olur.
- İş parçasını eşit hızla sürün.** İş parçasını eğmeyin veya bükmeyin. Sıkışma olursa aleti derhal kapatın, aletin fişini prizden çekin, ardından sıkışmayı giderin. Testere bıçağının iş parçasına sıkışması geri tepmeye veya motorun durmasına neden olabilir.
- Bıçak dönerken kesilmiş malzeme parçaları almayın.** Malzeme perde ile testere bıçağı arasında veya testere bıçağı siperinin iç kısmına sıkışarak parmaklarınızı testere bıçağına çekebilir. Testereyi kapatın ve malzemeyi çıkarmadan önce testere bıçağı durana kadar bekleyin.
- Kalınlığı 2 mm'den daha az olan iş parçalarını düz kesim yaparken tezgah üstüne temas edecek şekilde bir yardımcı perde kullanın.** İnce iş parçası destek perdesinin altına sıkışarak geri tepme yapabilir.

Geri tepme nedenleri ve ilgili uyarılar

Geri tepme, kısırılan, sıkışan testere bıçağı veya testere bıçağına göre iş parçasında hizalı olmayan kesim hattı nedeniyle ya da iş parçasının bir kısmının testere bıçağı ile destek perdesi veya diğer sabit nesnelere arasında sıkıştığı durumlarda oluşan iş parçasının ani tepkisidir. Geri tepme sırasında çoğunluklu iş parçası, testere bıçağının arka kısmı tarafından tezgahtan kaldırılır ve operatöre doğru itilir.

Geri tepme testerenin yanlış kullanılmasından ve/veya hatalı kullanma prosedür veya şartlarından kaynaklanır ve aşağıda verilen uygun tedbirler alınarak önlenebilir.

1. **Asla testere bıçağı ile doğrudan aynı hizada durmayın.** Vücudunuzu daima testere bıçağının perde ile aynı tarafında bulundurun. Geri tepme, iş parçasını testere bıçağının önünde ve aynı hizada duran kişilere doğru yüksek hızda fırlatabilir.
2. **İş parçasını çekmek veya desteklemek için asla testere bıçağının üzerinden veya arkasına uzanmayın.** Testere bıçağına kazara temas edebilir veya geri tepme parmaklarınızı testere bıçağına çekebilir.
3. **Kesilmekte olan iş parçasını asla dönen testere bıçağına doğru tutmayın ve bastırmayın.** Kesilmekte olan iş parçasının testere bıçağına doğru bastırılması takılma durumu oluşturacak ve geri tepme yapacaktır.
4. **Perdeyi testere bıçağı ile paralel olacak şekilde hizalayın.** Hatalı hizalanan perde iş parçasını testere bıçağına kısırtacak ve geri tepme yapacaktır.
5. **Monteli iş parçalarının görünmeyen kısımlarında kesim yaparken daha dikkatli olun.** Dışarıda kalan testere bıçağı geri tepmeye neden olabilecek nesnelere kesebilir.
6. **Testere bıçağının sıkışma ve geri tepme riskini en aza indirmek için büyük panelleri destekleyin.** Büyük paneller kendi ağırlıklarından dolayı bel vermeye meyillidirler. Tezgahın üstünden sarkan panelin tüm kısımlarının altına destek(ler) konulmalıdır.
7. **Bükülmüş, budaklı, çarpık veya gönye cetveli ya da perde boyunca yönlendirmek için düz kenarı bulunmayan iş parçasını keserken daha dikkatli olun.** Çarpık, budaklı, bükülmüş iş parçası dengesizdir ve kesim kanalının testere bıçağı ile hizalanmamasına, takılmaya ve geri tepmeye neden olur.
8. **Üst üste veya yan yana istiflenmiş birden fazla iş parçasını asla kesmeyin.** Testere bıçağı bir veya daha fazla iş parçasını kaparak geri tepmeye neden olabilir.
9. **Testereyi testere bıçağı iş parçasının içinde yeniden başlatırken, testere dişleri malzemeye geçmeyecek şekilde testere bıçağını kesim kanalında ortalayın.** Testere bıçağı takılırsa, testere yeniden başlatıldığında iş parçasını yukarı kaldırabilir ve geri tepmeye neden olabilir.
10. **Testere bıçaklarını temiz, keskin ve yeterli ayarlanmış olarak muhafaza edin.** Asla çarpık testere bıçaklarını veya çatlak ya da kırık dişleri olan testere bıçaklarını kullanmayın. Keskin ve düzgün ayarlanmış testere bıçakları takılma, tekleme ve geri tepmeyi en alt düzeye indirir.

Tezgah testere çalıştırma işlemi uyarıları

1. **Bıçak yuvasını çıkarırken, testere bıçağını değiştirirken veya ayırma kaması, geri tepme önleme tirnakları ya da testere bıçağı siperinden ayarlamalar yaparken ve makine gözetimsiz bırakılırken tezgah testereyi kapatın ve güç kablosunu ayırın.** Koruyucu önlemler kazaları önleyecektir.
2. **Çalışan tezgah testereyi hiçbir zaman gözetimsiz bırakmayın. Kapatın ve tamamen durmadan aletin başından ayırmayın.** Gözetimsiz çalışan bir testere kontrolsüz tehlikedir.

3. **Tezgah testereyi iyi aydınlatılan ve yere sağlam basıp dengeyi koruyabileceğiniz düz bir alana yerleştirin.** Alet, boyuna göre iş parçasını kolayca kullanabileceğiniz yeterli alan sağlanan bir yere kurulmalıdır. Dar, karanlık alanlar ile engeli kaygan zeminler kazalara davetiye çıkarır.
4. **Testere tezgahının ve/veya toz toplama aygıtının altında biriken talaşı sık sık temizleyin ve toplayın.** Biriken talaş yanıcıdır ve kendiliğinden tutuşabilir.
5. **Tezgah testere sabitlenmelidir.** Düzgün sabitlenmemiş bir tezgah testere hareket edebilir veya devrilebilir.
6. **Tezgah testere çalıştırılmadan önce tezgah üzerindeki aletleri, atık ahşap parçalarını, vb. kaldırın.** Dikkatin dağılması veya potansiyel bir sıkışma tehlikeli olabilir.
7. **Her zaman doğru mil delik şekline (elmas ya da yuvarlak) ve boyutuna sahip testere bıçakları kullanın.** Testerenin montaj donanımına uymayan testere bıçakları merkez eksenden kaçık çalışarak kontrolün kaybedilmesine neden olur.
8. **Asla hasarlı veya hatalı testere bıçağı montaj araçları, örneğin flanşlar, testere bıçağı pulları, cıvataları veya somunları, kullanmayın.** Bu montaj araçları güvenli çalışma ve optimum performans için testerenize özel olarak tasarlanmıştır.
9. **Asla tezgah testerenin üzerine çıkmayın, onu bir tabure gibi kullanmayın.** Alet devrilir veya kesici parçaya kazara temas edilirse ciddi yaralanma meydana gelebilir.
10. **Testere bıçağının uygun yönde dönecek şekilde monte edildiğini kontrol edin.** Tezgah testerede taşlama diskleri, tel fırçalar veya aşındırıcı diskler kullanmayın. Hatalı testere bıçağı montajı veya önerilmeyen aksesuarların kullanılması ciddi yaralanmaya neden olabilir.

Ek talimatlar

1. **Sadece hızlı alet üzerinde işaretli olan hıza eşit ya da ondan daha yüksek olan testere bıçaklarını kullanın.**
2. **Kesilecek malzemeye uygun testere bıçağı seçin.**
3. **Testere bıçakları ile işlem yaparken eldiven giyin.**
4. **Bıçağı takmadan önce mili, flanşları (özellikle takma yüzeyi) ve altı köşe somunu temizleyin.** Yanlış takma bıçağın titreşmesine/yalpalamasına veya kaymasına neden olabilir.
5. **Çiviler ve vidalar gibi metalleri kesmeyin.** Çalıştırmadan önce iş parçasındaki tüm çivileri, vidaları ve diğer yabancı malzemeleri bulun ve çıkarın.
6. **Testere bıçağı hattıyla aynı hizada kimsenin durmasına ASLA izin vermeyin.**
7. **Aleti iş parçası üzerinde kullanmadan önce bir müddet çalıştırın.** İyi takılmamış veya tam dengelenmemiş bir bıçağın belirtileri olan vibrasyon ya da sallanma olup olmadığına bakın.
8. **Bu alet zıvana, kınış veya yiv açmak için kullanılmamalıdır.**
9. **Yıprandığında tezgahın bıçak yuvasını değiştirin.**
10. **Kullanımda değilken itirme çubuğunu daima saklayın.**

11. Kesmeye başlamadan ÖNCE varsa tüm gevşek budakları vurup çıkarın.
12. Kullanım sırasında oluşan bazı tozlar kansere, doğum kusurlarına ya da diğer üreme sorunlarına neden olduğu bilinen kimyasallar içerir. Bu kimyasallardan bazıları şunlardır:
 - kurşun bazlı boyayla boyanmış malzemelerden kaynaklanan kurşun,
 - kimyasal işlem görmüş keresteden kaynaklanan arsenik ve krom.

Bu kimyasallara maruz kalmanızdan dolayı oluşacak risk, bu tip işleri ne sıklıkla yaptığınıza göre değişir. Bu kimyasallara maruziyetinizi azaltmak için: iyi havalandırılmış bir alanda ve mikroskobik parçacıkları filtrelemek için tasarlanmış toz maskeleri gibi onaylanmış güvenlik ekipmanları ile çalışın.
13. Aletin fişini prize takmadan önce daima alt siperin aşağıda ve testere tezgahına yaslanmış konumunda olduğunu kontrol edin.
14. Uzatma kablolarını düzenli olarak kontrol edin ve hasar görmüşse değiştirin.
15. (Sadece Avrupa ülkeleri için) Sadece üretici firma tarafından önerilen ve EN847-1 standardına uygun testere bıçaklarını kullanın.

KURULUM

Tezgah testerenin konumlandırılması

- **Şek.1:** 1. Delik çapı 8 mm
- **Şek.2:** 1. 6 mm standart pul 2. 10 numara ağaç vidası 40 mm min. uzunluk
- **Şek.3:** 1. 6 mm standart pul 2. İyice sıkılmış 6 mm montaj civatası ve somunu

Tezgah testereyi iyi aydınlatılan ve yere sağlam basıp dengeyi koruyabileceğiniz düz bir alana yerleştirin. Alet, boyuna göre iş parçasını kolayca kullanabileceğiniz yeterli alan sağlayan bir yere kurulmalıdır. Tezgah testere dört vida veya civata ile, tezgah testerenin alt kısmında sağlanan delikler kullanılarak tezgaha veya tezgah testere standına sabitlenmelidir. Tezgah testereyi tezgaha sabitlerken talaşın içinden düşebilmesi için tezgahın üstünde tezgah testerenin alt kısmındaki açıklıkla aynı boyutta bir açıklık olmasını sağlayın. Çalışma sırasında tezgah testere devrilme, kayma veya hareket etme eğilimi gösterirse tezgah veya tezgah testere standı zemine sabitlenmelidir.

Aksesuarların saklanması

- **Şek.4:** 1. Gönve cetveli
- **Şek.5:** 1. Destek perdesi 2. İtirme çubuğu 3. Geri tepme önleme tırnakları

Gönve cetveli, testere bıçağı ve anahtarlar kaidenin sol tarafına saklanabilir. Ayrıca destek perdesi, itirme çubuğu ve geri tepme önleme tırnakları kaidenin sağ tarafına saklanabilir.

İŞLEVSEL NİTELİKLER

⚠DİKKAT: Alet üzerinde ayarlama ya da işleyiş kontrolü yapmadan önce aletin kapalı ve fişinin çekili olduğunda daima emin olun.

Bıçak siperi

⚠UYARI: Bıçak siperini asla devre dışı bırakmayın veya çıkarmayın. Siperin devre dışı bırakılması sonucu açıkta kalan bıçak kullanım sırasında ciddi yaralanmalara neden olabilir.

⚠UYARI: Bıçak siperi hasarlı, arızalı ya da çıkmış ise aleti asla kullanmayın. Hasarlı, arızalı ya da çıkmış bir siperle aletin kullanılması ciddi yaralanmalara neden olabilir.

► **Şek.6:** 1. Bıçak siperi 2. Alt siper

Kesim yaparken iş parçasını, alt siperin alt kenarı ana tezgaha temas edecek şekilde bıçağa doğru ittirin. İş parçası sürülürken bıçak siperi ve alt siper iş parçasının kenarının üzerine gelir.

Kişisel güvenliğinizi için bıçak siperini ve alt siperi daima iyi durumda muhafaza edin. Bıçak siperinin ve alt siperin anormal her türlü çalışması derhal düzeltilmelidir. İş parçası sürülmezken bıçak siperi ve alt siperin aşağıda olduğundan ve alt siperin alt kenarının ana tezgaha temas ettiğinden emin olmak için kontrol edin.

Şeffaf parçalar kirlenirse ya da bunlara talaş yapışması sonucu bıçak ve/veya iş parçası kolayca görünmez hale gelirse, aletin fişini prizden çekin ve şeffaf parçaları nemli bir bezle dikkatlice temizleyin. Parçalara hasar verebileceğinden çözücü ya da petrol bazlı temizleyiciler kullanmayın. Şeffaf parçalar zamanla ya da kızılötesi ışınlarla maruz kalma sonucu renk atarsa, yeni parçalar için Makita servis merkezine başvurun. **BIÇAK SİPERİNİ VEYA ALT SİPERİ DEVRE DIŞI BIRAKMAYIN VEYA ÇIKARMAYIN.**

Kesim derinliğinin ayarlanması

► **Şek.7:** 1. Kol

Kesim derinliği, kol çevrilerek ayarlanabilir. Kolu, testere bıçağını kaldırmak için saat yönünde veya indirmek için saatın aksi yönünde çevirin.

NOT: Daha temiz bir kesim elde etmek için ince malzemeleri keserken sıg derinlik ayarı kullanın.

Eğim açısının ayarlanması

► **Şek.8:** 1. Kilitleme kolu 2. Ok göstergesi 3. El çarkı

Kilitleme kolunu saatın aksi yönünde gevşetin ve istenen açı (0° - 45°) elde edilene kadar el çarkını çevirin. Eğim açısı, ok göstergesi ile gösterilir. İstenilen açı elde edildikten sonra ayarı sabitlemek için kilitleme kolunu saat yönünde sıkın.

⚠DİKKAT: Eğim açısını ayarladıktan sonra kilitleme kolunu iyice sıkmanızdan emin olun.

Pozitif durakların ayarlanması

► **Şek.9:** 1. 90° ayar vidası 2. 45° ayar vidası

► **Şek.10**

Alet, tezgah yüzeyi ile 90° ve 45°'de pozitif duraklarla donatılmıştır. Pozitif durakları kontrol etmek ve ayarlamak için aşağıdaki adımları izleyin:

El çarkını çevirerek mümkün olduğu kadar hareket ettirin. Tezgahın üzerine bir üçgen cetvel yerleştirin ve testere bıçağının tezgah yüzeyi ile 90° veya 45° olduğunu görmek için kontrol edin. Testere bıçağı Şek. A'da gösterilen açıda ise ayar vidalarını saat yönünde çevirerek; Şek. B'de gösterilen açıda ise ayar vidalarını saatini aksi yönünde çevirerek pozitif durakları ayarlayın. Pozitif durakları ayarladıktan sonra testere bıçağını tezgah yüzeyi ile 90°'ye ayarlayın. Sonra ok göstergesini, sağ kenarı 0° taksimatını ile aynı hizada olacak şekilde ayarlayın.

► **Şek.11:** 1. Ok göstergesi

Anahtar işlemi

► **Şek.12:** 1. Anahtar

⚠DİKKAT: Çalıştırmadan önce aletin açılıp kapandığını kontrol edin.

Aleti çalıştırmak için Açma (I) düğmesine basın. Durdurmak için Kapama (O) düğmesine basın.

Alt perde (destek perdesi)

► **Şek.13:** 1. Sabitleme vidası 2. Destek perdesi 3. Alt perde 4. Ray

Destek perdesi testere bıçağına yaklaşırsa iş parçasını desteklemek için alt perdeyi kullanın. Sabitleme vidasını gevşetin ve alt perdeyi çekerek raydan çıkarın. Alt perdeyi şekilde gösterildiği gibi takın ve sabitleme vidalarını sıkın.

Destek perdesi, testere bıçağının sol tarafına takılmışsa alt perde konumunu değiştirin. Sabitleme vidalarını, alt perdeyi ve rayı destek perdesinden çıkarın. Çıkarılan sabitleme vidalarını kullanarak rayı, destek perdesinin sağ tarafına gevşek bir şekilde takın. Ardından alt perdeyi takın ve sabitleme vidalarını sıkın.

► **Şek.14:** 1. Destek perdesi 2. Alt perde 3. Sabitleme vidası 4. Ray

Yardımcı tezgah (sağ)

► **Şek.15:** 1. Kol

► **Şek.16:** 1. Yardımcı tezgah (sağ)

Bu alet, ana tezgahın sağ tarafından yardımcı tezgah (sağ) ile sağlanmıştır. Yardımcı tezgahı (sağ) kullanmak için sağ ön taraftaki her iki kolu kaldırın, tezgahı (sağ) sonuna kadar dışarı çekin ve ardından kolları indirerek tezgahı sabitleyin. Yardımcı tezgahı (sağ) kullanırken yardımcı tezgah üzerindeki cetvel plakasını, üzerindeki vidayı bir tornavida ile gevşettikten sonra ana tezgah üzerindeki cetvel plakasını izleyecek şekilde konumlandırın.

► **Şek.17:** 1. Cetvel plakası 2. Vida

Yardımcı tezgah (arka)

İsteğe bağlı aksesuar

► **Şek.18:** 1. Yardımcı tezgah (arka) 2. Vida

Yardımcı tezgahı (arka) kullanmak için tezgahın altında sol ve sağ taraftaki vidaları gevşetin ve tezgahı geriye doğru istenen uzunlukta çekip çıkarın. İstenen uzunlukta vidaları iyice sıkın.

NOT: Yardımcı tezgahı (arka) destek perdesi kullanıldığı sırada kullanırken yardımcı tezgahı (arka) destek perdesinin üst ucuna vurmuyacak şekilde en az 50 mm dışarı çekin.

Yardımcı tezgah (sol)

İsteğe bağlı aksesuar

► **Şek.19:** 1. Vida 2. Yardımcı tezgah (sol)

Yardımcı tezgah (sol) (isteğe bağlı aksesuar) daha geniş bir alan elde etmek üzere tezgahın sol tarafına monte edilebilir.

Geri tepme önleme tırnakları

⚠UYARI: Boydan boya kesim işlemleri sırasında mümkün olan her durumda geri tepme önleme tırnaklarını kullanın. Bu, ciddi yaralanmaya neden olabilecek bir geri tepme durumunda malzemenin operatöre doğru fırlatılmasını engellemeye yardımcı olacaktır.

► **Şek.20:** 1. Geri tepme önleme tırnağı 2. Kelepçe

Geri tepme önleme tırnaklarını aletten çıkarmak için geri tepme önleme tırnaklarının tabanındaki kelepçeyi gevşetin ve ardından tırnakları çekip çıkarın. Takmak için, çıkarma işlemini tersinden uygulayın.

MONTAJ

⚠DİKKAT: Alet üzerinde herhangi bir iş yapmadan önce aletin kapalı ve fişinin çekili olduğundan daima emin olun.

Testere bıçağının takılması ve çıkarılması

⚠DİKKAT: Testere bıçağını takıp çıkarmadan önce mutlaka aletin kapalı ve fişinin çekili olduğundan emin olun.

⚠DİKKAT: Testere bıçağını takıp çıkarmak için sadece ürüne verilen Makita anahtarları kullanın. Aksi takdirde altı köşe civata aşırı derecede ya da yetersiz sıkılabilir. Bu da yaralanmalara yol açabilir.

⚠DİKKAT: Aşağıdaki testere bıçağını kullanın. Bu talimatlarda verilen teknik özelliklere uymayan testere bıçaklarını kullanmayın.

Çap	Bıçak kalınlığı	Kesim kanalı
260 mm	En fazla 1,9 mm	En az 2,1 mm

1. Bıçak yuvası üzerindeki vidayı gevşeterek çıkarın.
2. Dış flanş boyunu anahtarla tutun ve altı köşe somunu anahtarla saatini aksi yönünde gevşetin. Daha sonra dış flanş çıkarın.

► **Şek.21:** 1. Boyunlu anahtar 2. Altı köşe somun 3. Anahtar

3. Bıçak dişlerinin tezgahın ön kısmını gösterdiğinden emin olarak iç flanş, bileziği, testere bıçağını, dış flanş ve altı köşe somunu mile geçirin. Altı köşe somunu daima girintili kısmı dış flanşa bakacak şekilde takın.

► **Şek.22:** 1. İç flanş 2. Bilezik 3. Testere bıçağı 4. Dış flanş 5. Altı köşe somun

⚠ DİKKAT: Testere bıçağının, dişler kesim (dönüş) yönünde hizalanmış olacak şekilde takıldığından emin olun.

⚠ DİKKAT: Testere bıçağını mil deliği takmadan önce testere bıçağının mil deliği çapını kontrol edin. Kullanmayı planladığınız testere bıçağının mil deliği için daima doğru bilezik kullanın. Ürünle verilen bilezik(ler)in boyutu ülkeye göre değişir.

- 30 mm delik çaplı bir testere bıçağı için alette, dış çapı 30 mm olan bilezik verilir.
- 25,4 mm ve 25 mm delik çaplı bir testere bıçağı için alette, gümüş rengi ve siyah bilezikler verilir. Gümüş rengi bileziği 25,4 mm delik çaplı testere bıçağı için, siyah bileziği 25 mm delik çaplı testere bıçağı için kullanın.

4. Testere bıçağını yerine sabitlemek için dış flanş boyunu anahtarla tutun, ardından altı köşe somunu anahtarla saat yönünde sıkın. **ALTI KÖŞE SOMUNU İYİCE SIKTIĞINIZDAN EMİN OLUN.**

► **Şek.23:** 1. Boyunlu anahtar 2. Anahtar

⚠ DİKKAT: Flanş yüzeyini kir ve diğer yapışan maddelerden temiz tutun; bıçağın kaymasına neden olabilir.

⚠ DİKKAT: Altı köşe somunu anahtarla dikkatlice tuttuğunuzdan emin olun. Elinizden kayarsa anahtar altı köşe somundan çıkabilir ve eliniz keskin bıçak kenarlarına çarpabilir.

5. Bıçak yuvasını yerine vidayla takın.

Ayırma kamasının ayarlanması

⚠ DİKKAT: Testere bıçağı ve ayırma kaması düzgün hizalanmazsa çalışma sırasında tehlikeli sıkışma durumu ortaya çıkabilir. Düzgün hizalandıklarından emin olun. Aletin, düzgün hizalanmış ayırma kaması olmadan kullanılması halinde ciddi yaralanmalar yaşayabilirsiniz.

⚠ DİKKAT: Alet çalışırken ASLA ayarlama yapmayın. Herhangi bir ayarlama yapmadan önce aletin fişini prizden çekin.

⚠ DİKKAT: Ayırma kamasını çıkarmayın.

► **Şek.24:** 1. Bıçak siperi 2. Ayırma kaması 3. Vida

Ayırma kaması, testere bıçağı ile ayırma kaması düz bir çizgide olacak şekilde fabrikada ayarlanmıştır. Bununla birlikte testere bıçağı ile ayırma kaması düz bir çizgide değilse ayarlamamız gerekir.

Bıçak yuvası üzerindeki vidayı gevşeterek ana tezgahın çıkarın. Altı köşe civataları (B) gevşetin ve bıçak siperi montaj kısmını (mafsalsal), ayırma kaması doğrudan testere bıçağının arkasında hizalanacak şekilde ayarlayın. Ardından altı köşe civataları (B) sıkarak mafsalsal sabitleyin ve bıçak kanalını yerine koyun.

► **Şek.25:** 1. Bıçak 2. Bu iki boşluk eşit olmalıdır.
3. Ayırma kaması 4. Altı köşe civatalar (B)
5. Altı köşe civatalar (A)

Ayırma kaması ile bıçak dişleri arasında yaklaşık 4 - 5 mm boşluk olmalıdır. Altı köşe civataları (A) gevşetin, ayırma kamasını uygun şekilde ayarlayın ve altı köşe civataları (A) iyice sıkın. Bıçak yuvasını tezgaha vida ile takın, ardından kesmeden önce bıçak siperinin sorunsuz bir şekilde çalıştığını görmek için kontrol edin.

► **Şek.26:** 1. Ayırma kaması 2. Bıçak siperi 3. 4 mm - 5 mm boşluk

Destek perdesinin takılması ve ayarlanması

► **Şek.27:** 1. Kanca 2. Topuz 3. Kılavuz ray

1. Destek perdesinin ucundaki kancayı tezgah veya yardımcı tezgah (sağ) üzerindeki öbür kılavuz rayına takın ve perde tutucu, en yakın kılavuz raya geçecek şekilde destek perdesini takın ve ileri doğru itin.

2. Destek perdesini kılavuz ray üzerinde yanlara kaydırmak için perde tutucu üzerindeki topuzu, topuz üzerindeki kolu çekmeden sonuna kadar döndürün.

Destek perdesini sabitlemek için perde tutucu üzerindeki topuzu sonuna kadar döndürün.

3. Destek perdesini çıkarmak için topuz üzerindeki kolu çekin ve kolu çekerken topuzu ileri doğru sonuna kadar döndürün.

Destek perdesinin testere bıçağıyla paralel olduğunu kontrol etmek için destek perdesini testere bıçağıyla arasında 2 - 3 mm olacak şekilde sabitleyin. Bıçağı en üst düzeye kaldırın. Bıçağın dişlerinden birini boya kalemi ile işaretleyin. Destek perdesi ile testere bıçağı arasında mesafeyi (A) ve (B) ölçün. Her iki ölçümü de boya kalemi ile işaretlenmiş dişi kullanarak alın. Bu iki ölçüm eşit olmalıdır. Destek perdesi testere bıçağına paralel değilse şu şekilde devam edin:

► **Şek.28:** 1. Cetvel

1. Destek perdesini kayar konumda konumlandırın.

2. Destek perdesi üzerindeki iki altı köşe civatayı ürünle verilen alyan anahtarıyla gevşetin.

► **Şek.29:** 1. Altı köşe civatalar

3. Destek perdesini testere bıçağıyla paralel olana dek ayarlayın.

4. Destek perdesi üzerindeki topuzu operatöre doğru aşağı döndürün.

5. Destek perdesi üzerindeki iki altı köşe civatayı sıkın.

► **Şek.30**

⚠ DİKKAT: Destek perdesini, testere bıçağına paralel olacak şekilde ayarladığınızdan emin olun, aksi takdirde tehlikeli geri tepme durumu oluşabilir.

Destek perdesi sağlam bir şekilde sabitlenemezse aşağıdaki prosedüre göre ayarlayın.

1. Destek perdesini tezgaha yerleştirin, ardından topuzu hareket aralığının yarısına kadar (hareketli konum) döndürün. Destek perdesi hareketsiz kalana dek vidayı (A) sıkın. Daha sonra 1/4 ila 1/2 tur gevşetin.

► **Şek.31:** 1. Destek perdesi 2. Serbest konum
3. Hareketli konum 4. Kilitleti konum

► **Şek.32:** 1. Destek perdesi 2. Hareketli konum
3. Vida (B) 4. Vida (A)

2. Vidayı (B) sonuna kadar sıkın ve ardından yaklaşık 2 tam tur gevşetin.

3. Perde tutucu üzerindeki topuzu sonuna kadar döndürerek (kilitleti konum) destek perdesini sabitleyin.

4. Destek perdesinin orijinal konumda (serbest konum) takılıp çıkarılabildiğinden emin olun.

5. Destek perdesinin, topuz hareket aralığının yarısında kaymadan akıcı bir şekilde kayabildiğinden emin olun.

ÖNEMLİ NOT: Vidaların, yukarıdaki talimatlarda belirtilen sıklık miktarından fazla sıkılmamasına dikkat edin. Aksi takdirde sıkılan kısımlara hasar verebilirsiniz.

Destek perdesini, testere bıçağıyla yanına yaslanacak şekilde yükseltin. Perde tutucu üzerindeki kılavuz çizginin 0 taksimatını gösterdiğinden emin olun. Kılavuz çizgi 0 taksimatını göstermiyorsa cetvel plakası üzerindeki vidayı gevşetin ve cetvel plakasını ayarlayın.

► **Şek.33:** 1. Kılavuz çizgi 2. Vidalar

Elektrikli süpürgeye bağlama

Aleti Makita elektrikli süpürgeye veya toz toplayıcıya bağlayarak daha temiz çalışma yapılabilir.

► **Şek.34**

KULLANIM

▲ DİKKAT: Ellerinizin veya parmaklarınızın testere bıçağına yaklaşma tehlikesinin olduğu her durumda itirme çubukları ve itirme blokları gibi “çalışma yardımcıları” kullanın.

▲ DİKKAT: İş parçasını daima tezgah ve destek perdesi veya gönye cetveli ile sıkıca tutun. Sürerken iş parçasını eğmeyin veya bükmeyin. İş parçası eğilir veya bükülürse tehlikeli geri tepmeler olabilir.

▲ DİKKAT: Testere bıçağı dönerken iş parçasını ASLA geri çekmeyin. Bir kesim tamamlanmadan iş parçasını geri çekmeniz gerekirse önce iş parçasını sıkıca tutarak aleti kapatın. İş parçasını geri çekmeden önce testere bıçağının tamamen durmasını bekleyin. Aksi takdirde tehlikeli geri tepmelere neden olabilir.

▲ DİKKAT: Testere bıçağı dönerken ASLA kesilmiş parçaları almayın.

▲ DİKKAT: Ellerinizi veya parmaklarınızı ASLA testere bıçağının yoluna koymayın. Özellikle eğimli kesimlerde dikkatli olun.

▲ DİKKAT: Destek perdesini daima sıkıca sabitleyin, aksi takdirde tehlikeli geri tepmeler olabilir.

▲ DİKKAT: Küçük veya dar iş parçalarını keserken daima itirme çubukları ve itirme blokları gibi “çalışma yardımcıları” kullanın.

Çalışma yardımcıları

İtirme çubukları, itirme blokları veya yardımcı perde, “çalışma yardımcıları” tipleridir. Kullanıcının vücudunun hiçbir kısmının testere bıçağına değmesi gerekmeden güvenli, emin kesme yapmak için bunları kullanın.

İtirme bloğu

► **Şek.35:** 1. Yüz/kenar paralel 2. Tutamak 3. Ağaç vidası 4. Birbirine tutkallayın

19 mm kontrplak parçası kullanın. Tutamak, kontrplak parçasının ortasında olmalıdır. Şekilde gösterildiği gibi tutkal ve ağaç vidaları ile sabitleyin. Operatörün itirme bloğunu yanlışlıkla kesmesi durumunda testere bıçağını körlenmesini engellemek için kontrol plağa 9,5 mm x 8 mm x 50 mm'lik küçük bir ağaç parçası tutkallanmalıdır. (İtirme bloğunda asla çivi kullanmayın.)

Yardımcı perde

► **Şek.36:** 1. Yüz/kenar paralel

Yardımcı perdeyi 9,5 mm ve 19 mm kontrplak parçalarından yapın.

Düz kesim

▲ DİKKAT: Düz kesim yaparken gönye cetvelini tezgahtan çıkarın.

▲ DİKKAT: Uzun veya büyük iş parçalarını keserken tezgahın arkasında daima yeterli destek sağlayın. Uzun bir tahtanın tezgah üstünde hareket etmesine veya kaymasına İZİN VERMEYİN. Bu, testere bıçağının takılması neden olacak ve geri tepme ve yaralanma olasılığını arttıracaktır. Destek, tezgah ile aynı yükseklikte olmalıdır.

▲ DİKKAT: Testere bıçağının eğimli tarafından eğimli düz kesim yapmayın.

1. Kesim derinliğini iş parçasının kalınlığından biraz daha yükseğe ayarlayın.

► **Şek.37**

2. Destek perdesini istenilen düz kesim genişliğine getirin ve topuzu döndürerek yerine sabitleyin. Düz kesim yapmadan önce destek perdesinin arka ucunun iyice sabitlendiğinden emin olun. Yeterince sabitlenmezse “Destek perdesinin takılması ve ayarlanması” başlıklı kısımdaki prosedürleri izleyin.

3. Aleti açın ve iş parçasını destek perdesi boyunca testere bıçağına yavaşça sürün.

Düz kesim genişliği 150 mm veya daha fazla ise iş parçasını sürmek için dikkatlice sağ elinizi kullanın. İş parçasını destek perdesine yaslanmış şekilde yerinde tutmak için sol elinizi kullanın.

► **Şek.38**

Düz kesim genişliği 65 mm ile 150 mm ise iş parçasını sürmek için itirme çubuğunu kullanın.

► **Şek.39:** 1. İtirme çubuğu

Düz kesim genişliği 65 mm'den daha darsa itirme çubuğu bıçak siperine vuracağından kullanılamaz. Yardımcı perde ve itirme bloğu kullanın. Yardımcı perdeyi destek perdesine “C” kelepçelerle bağlayın.

İş parçasını, ucuyla tezgahın ön kenarı arasında yaklaşık 25 mm mesafe kalıncaya kadar elle sürün.

► **Şek.40**

Yardımcı perdenin üstünde itirme bloğu kullanarak kesim tamamlanana kadar sürmeye devam edin.

► **Şek.41:** 1. İtirme bloğu 2. Yardımcı perde

Enine kesim

▲ DİKKAT: Enine kesim yaparken destek perdesini tezgahtan çıkarın.

▲ DİKKAT: Uzun veya büyük iş parçalarını keserken tezgahın yanlarında daima yeterli destek sağlayın. Destek, tezgah ile aynı yükseklikte olmalıdır.

▲ DİKKAT: Ellerinizi daima bıçağın yolundan uzak tutun.

Gönye cetveli

- **Şek.42:** 1. Enine kesim 2. Gönyeli kesim 3. Eğimli kesim 4. Birleşik gönyeli kesim (açılar)

Şekilde gösterilen 4 kesim türü için gönye cetvelini kullanın.

▲DİKKAT: Gönye cetveli üzerindeki topuzu dikkatlice sabitleyin.

▲DİKKAT: Özellikle açılı kesim yaparken sıkı iş tutma düzeni ile iş parçasının ve cetvelin hareket etmesini engelleyin.

▲DİKKAT: İş parçasının tasarlanan "kesik" kısmını ASLA tutmayın veya kavramayın.

▲DİKKAT: Gönye cetvelinin ucu ile testere bıçağı arasındaki mesafeyi daima 15 mm'yi geçmeyecek şekilde ayarlayın.

Gönye cetveli pozitif durağı

- **Şek.43:** 1. Pozitif durak vidası 2. Küçük plaka 3. Topuz

Gönye cetveli, gönye açılarının kolay ayarlanması için 90° ve 45° sağ ve sol gönye açılarında pozitif duraklarla sağlanmıştır.

Gönye açısını ayarlamak için, gönye cetveli üzerindeki topuzu gevşetin. Serbest ayar için gönye cetveli üzerindeki küçük plakayı kaldırın. Gönye cetvelini istenen gönye açısına çevirin. Gönye cetveli üzerindeki küçük plakayı orijinal konumuna geri getirin ve topuzu saat yönünde iyice sıkın.

Gönye cetveli kullanımı

- **Şek.44:** 1. Kanal 2. Gönye cetveli 3. Topuz

Gönye cetvelini tezgah üzerindeki kalın kanallara geçirin. Cetvel üzerindeki topuzu gevşetin ve istenen açığa (0° ila 60°) hizalayın. Parçayı perdeye yaslayın ve testere bıçağına doğru yavaş bir şekilde sürün.

Alt cetvel (gönye cetveli)

- **Şek.45:** 1. Alt cetvel

Gönye cetveli üzerindeki alt cetvel, iş parçasının sallanmasını engeller. Gönye cetveli üzerindeki vidayı gevşetin ve alt cetvel konumunu ayarlayın.

Aletin taşınması

- **Şek.46**

Aletin fişinin prizden çekili olduğundan emin olun. Aleti şekilde gösterildiği gibi aletin parçasından tutarak taşıyın.

▲DİKKAT: Aleti taşımadan önce hareket eden tüm parçaları sabitleyin.

▲DİKKAT: Aleti taşımadan önce bıçak siperi ve alt siperin aşağıda olduğundan ve alt siperin alt kenarının ana tezgaha temas ettiğinden emin olun.

BAKIM

▲DİKKAT: Muayene ya da bakım yapmadan önce aletin kapalı ve fişinin çekili olduğundan daima emin olun.

ÖNEMLİ NOT: Benzin, tiner, alkol ve benzeri maddeleri kesinlikle kullanmayın. Renk değişimi, deformasyon veya çatlaklar oluşabilir.

Temizleme

Talaş ve kırıntıları ara sıra temizleyin. Bıçak siperini ve tezgah testeresinin içindeki hareketli parçaları dikkatlice temizleyin.

Testere bıçağının altında toplanan talaşı temizlerken bıçak yuvasını çıkarın ve bir elektrikli süpürge rakorundan talaşı püskürtmek için bir hava püskürtücü kullanın.

Yağlama

Tezgah testereyi tam çalışır durumda tutmak ve maksimum hizmet ömrü sağlamak için hareketli parçaları ve dönen parçaları ara sıra yağlayın veya gresleyin.

Yağlama noktaları:

- Testere bıçağını kaldırmak için dişli mil
- Şaseyi döndürmek için menteşe
- Motor üzerindeki yükseltme kılavuz milleri
- Testere bıçağını kaldırmak için dişli
- Destek perdesi için kılavuz raylar
- Yardımcı tezgah (sağ) kilitleme kollarının mili
- Yardımcı tezgahın (sağ) kayar kısmı

Karbon fırçaların değişmesi

Karbon fırçaları düzenli olarak kontrol edin. Limit işaretine kadar yıprandıkları zaman değiştirin. Karbon fırçaların temiz ve tutucuları içinde serbestçe kayar durumda kalmalarını sağlayın. Her iki karbon fırça aynı anda değiştirilmelidir. Sadece birbirinin aynısı olan karbon fırçaları kullanın.

- **Şek.47:** 1. Limit işareti

1. Yardımcı tezgah (sağ) saklayın. Saklı ise destek perdesini çıkarın.

2. Kilitleme kolunu gevşetin ve testere kafası 45° eğim açısı ile yatana dek el çarkını çevirin. Bundan sonra kilitleme kolunu sıkın.

► **Şek.48:** 1. Destek perdesi 2. Kilitleme kolu 3. El çarkı

3. Aleti sağ tarafının üzerine yatırın.

- **Şek.49**

4. Alt plakayı, üzerindeki vidaları gevşeterek çıkarın.

5. Fırça tutucu kapaklarını bir tornavida ile gevşetin ve aşınmış karbon fırçaları çıkarın.

► **Şek.50:** 1. Alt plaka 2. Fırça tutucu kapağı 3. Tornavida

6. Yeni karbon fırçaları takın ve fırça tutucu kapaklarını sabitleyin.

7. Alt plakayı vidalarla takın ve aleti alt kısmının üzerine dikkatlice koyun. Çıkarıldı ise destek perdesini saklayın.

Aleti EMNİYETLİ ve ÇALIŞMAYA HAZIR durumda tutmak için onarımlar, başka her türlü bakım ve ayarlamalar daima Makita yedek parçaları kullanılarak Makita yetkili servis merkezleri veya Fabrikanın Servis Merkezleri tarafından yapılmalıdır.

İSTEĞE BAĞLI AKSESUARLAR

⚠ DİKKAT: Bu aksesuarlar ve ek parçalar bu el kitabında belirtilen Makita aletiniz ile kullanılmak için tavsiye edilmektedir. Herhangi başka bir aksesuar ya da ek parça kullanılması insanlar için bir yaralanma riski getirebilir. Aksesuarları ya da ek parçaları yalnızca belirtilmiş olan kullanım amaçlarına uygun olarak kullanın.

Bu aksesuarlarla ilgili daha fazla bilgiye ihtiyaç duyar-sanız bulunduğunuz yerdeki yetkili Makita servisine başvurun.

- Çelik ve Karbid uçlu testere bıçakları
- Yardımcı tezgah (sol)
- Yardımcı tezgah (arka)
- Destek perdesi
- Gönye cetveli
- Boyunlu anahtar 13-22
- Anahtar 19
- Alyan anahtarı 5
- Mafsalsal (toz toplayıcı bağlantısı için)
- Tezgah testere standı seti

İsteğe bağlı aksesuar olan tezgah testere standı ile sağ-lanan tezgah testere standı kullanma kılavuzuna bakın.

NOT: Listedeki parçaların bazıları alet paketi içeri-sinde standart aksesuar olarak dahil edilmiş olabilir. Bunlar ülkeden ülkeye farklılık gösterebilir.

Makita Europe N.V. Jan-Baptist Vinkstraat 2,
3070 Kortenberg, Belgium

Makita Corporation 3-11-8, Sumiyoshi-cho,
Anjo, Aichi 446-8502 Japan

www.makita.com

885620-996
EN, FR, DE, IT, NL,
ES, PT, DA, EL, TR
20180117