

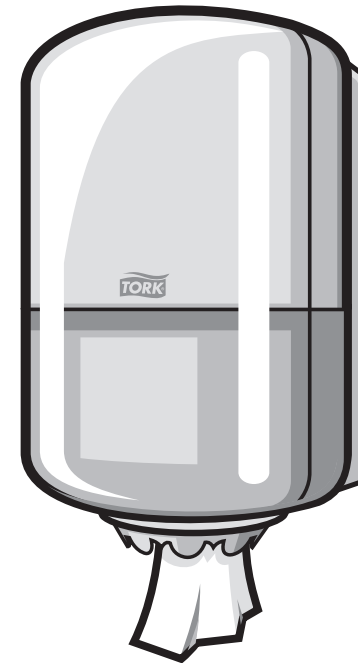
European Community Design Registration RCD 000929971

2012-12-06

# Centrefeed Dispenser

M2

Elevation  
Design

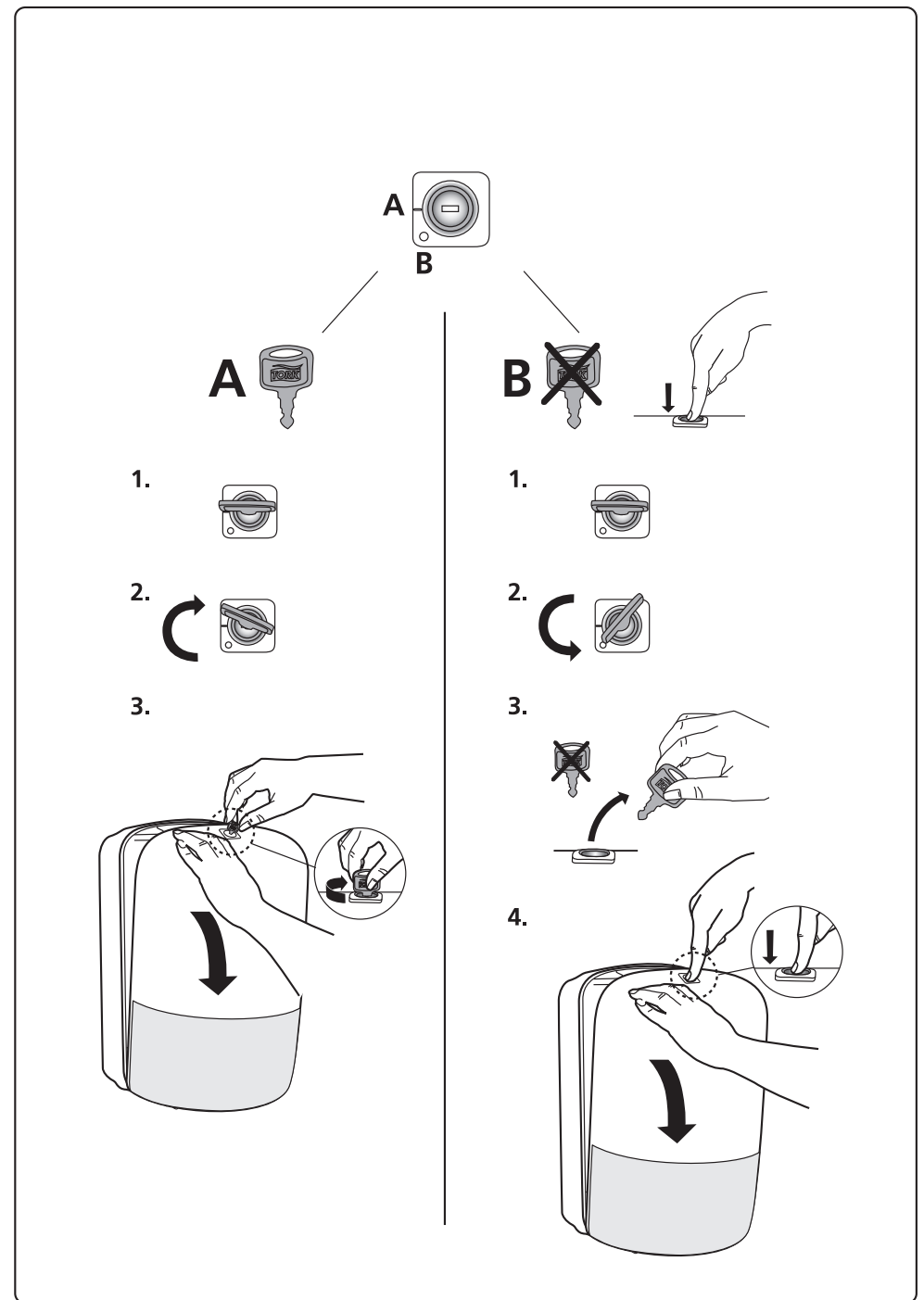
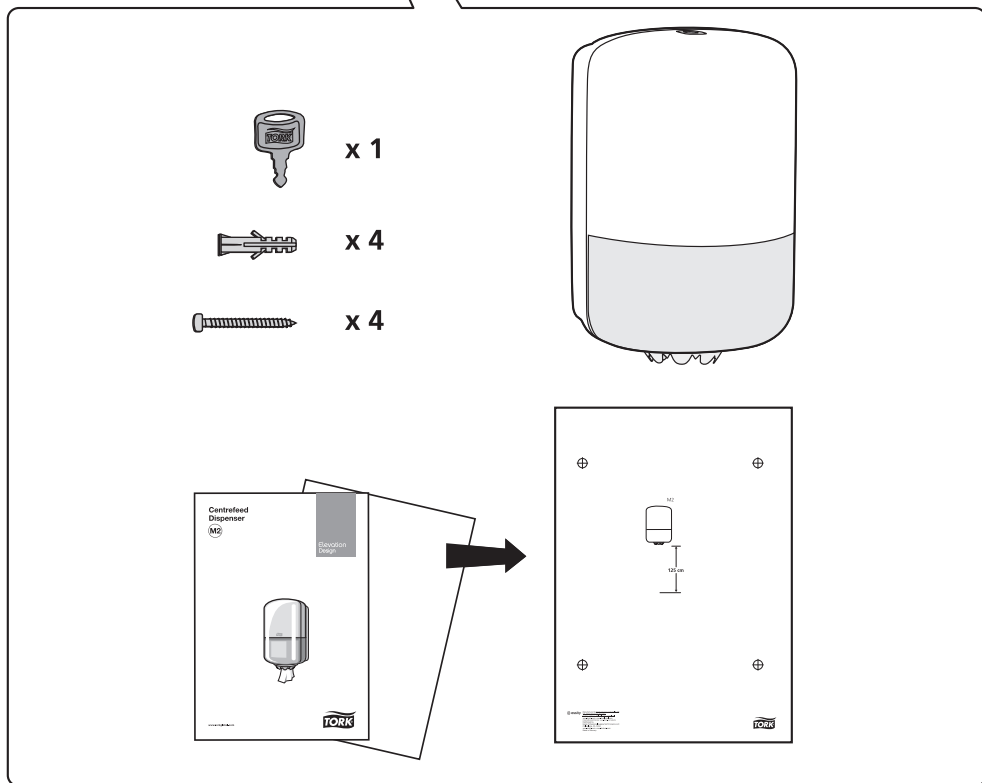
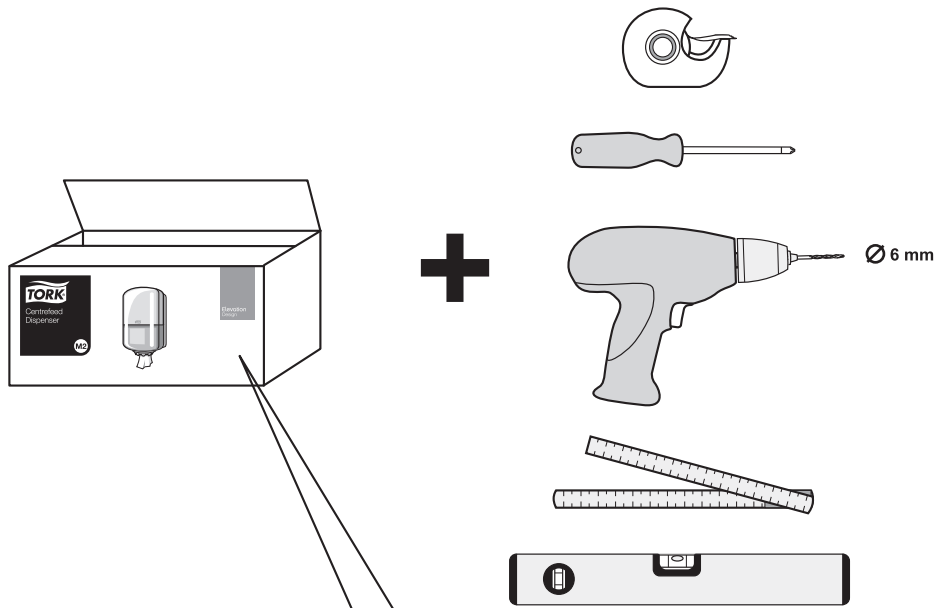


**essity**

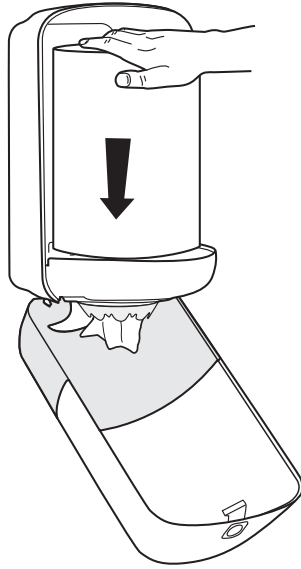
Manufactured by Essity Hygiene and Health AB  
SE-40503 Göteborg, Sweden  
Visiting address: Mölndals Bro 2, Mölndal  
www.essity.com, www.torkglobal.com  
Patents/Brevets/Patentes: www.essity.com/patents  
Distributed by  
Essity Professional Hygiene North America LLC  
Philadelphia, PA 19104  
www.essity.com, www.torkusa.com  
Made in Germany

[www.torkglobal.com](http://www.torkglobal.com)

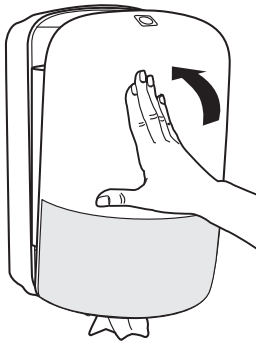
**TORK**<sup>®</sup>



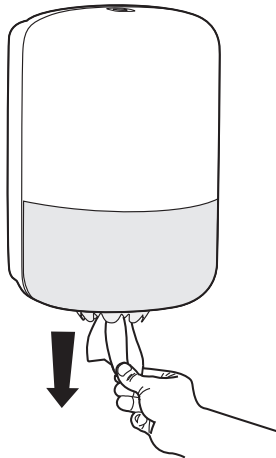
3.



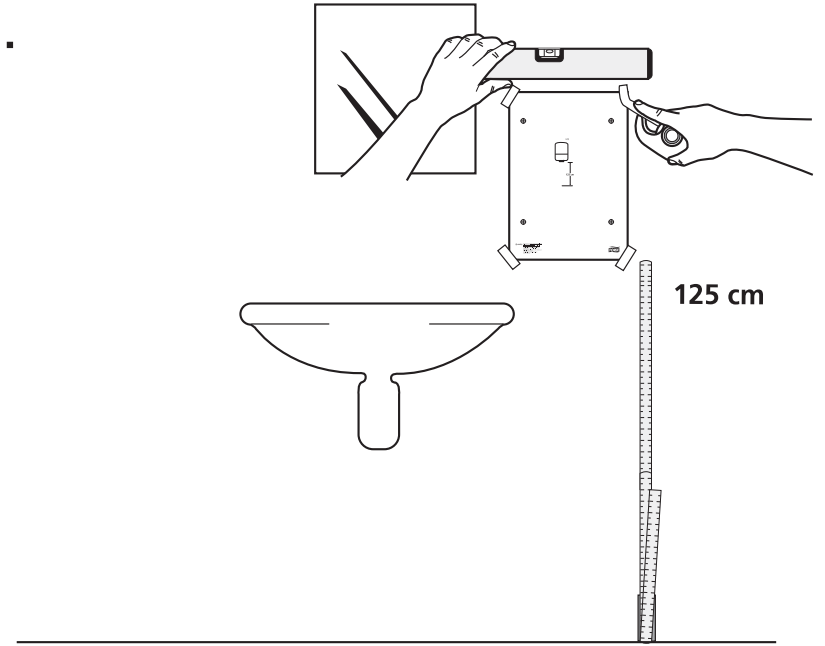
4.



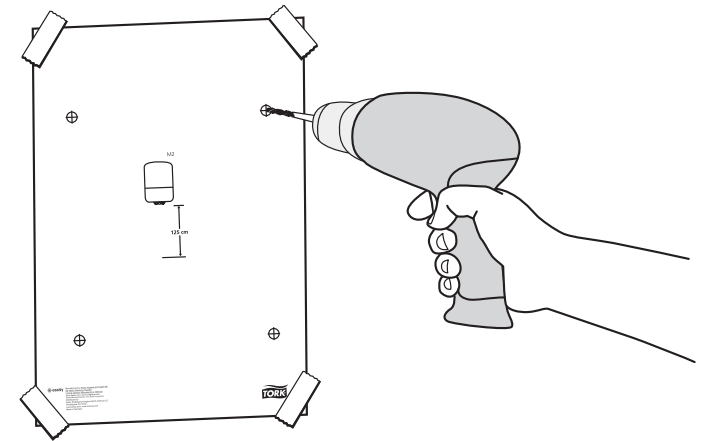
5.




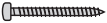
1.

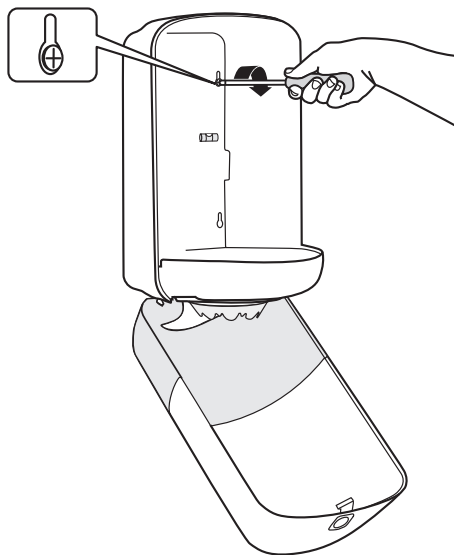


2.

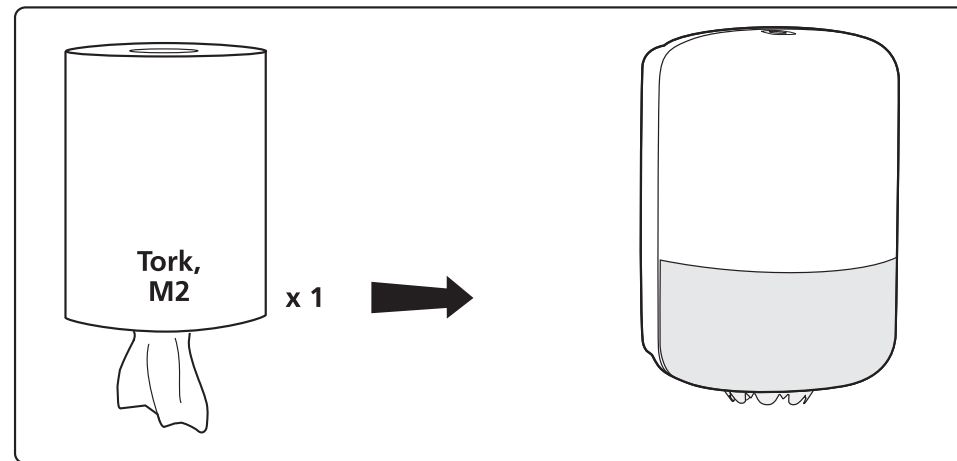
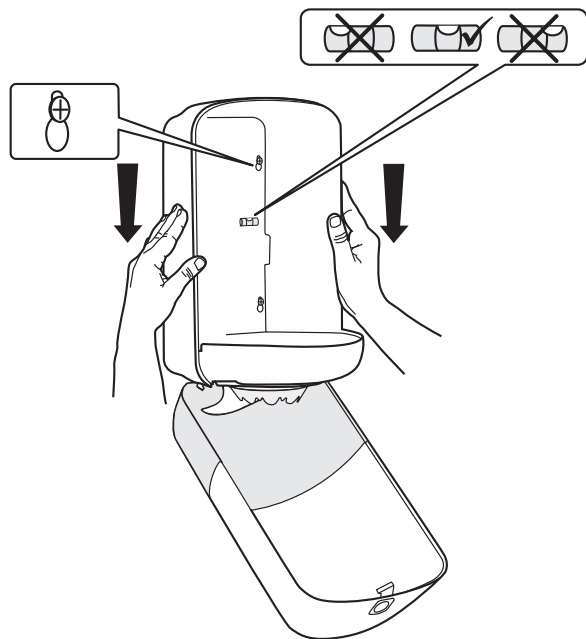


3.

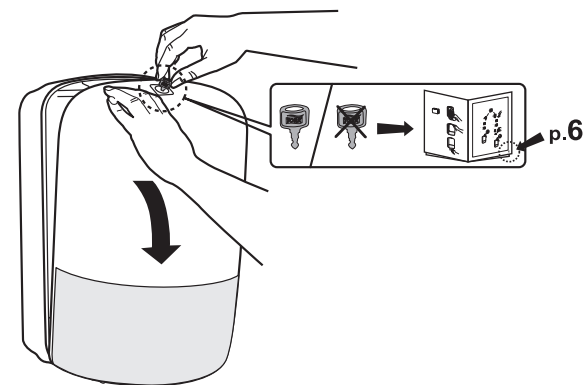
-  x 4
-  x 4



4.



1.



2.

