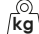
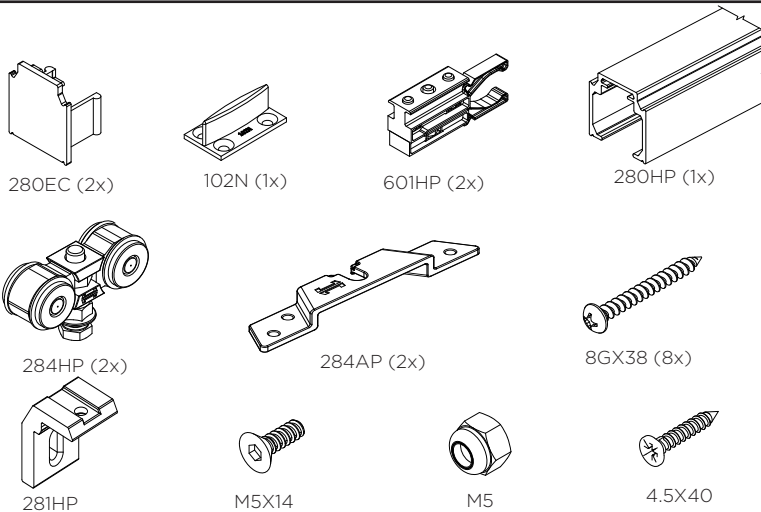


FITTING INSTRUCTIONS

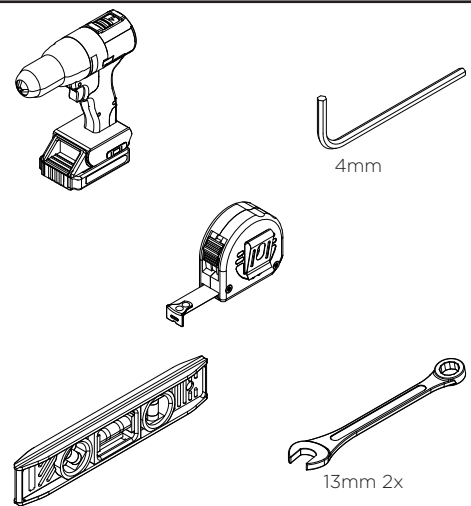
KIT AND DOOR SPECIFICATION

Kit Short Code	Max. Door Size	 kg	281HP #	M5x14 Screw #	M5 Nyloc Nut #	4.5x40 Screw #
HP120/15A	2700x762x45mm	< 120kg	4	4	4	4
HP120/20A	2700x1000x45mm	< 120kg	5	5	5	5
HP120/25A	2700x1250x45mm	< 120kg	6	6	6	6
HP120/30A	2700x1500x45mm	< 120kg	7	7	7	7

HUSKY PRO KIT CONTENTS



TOOLS REQUIRED

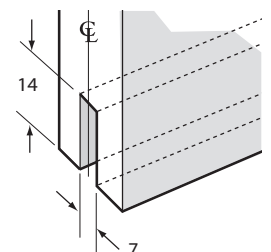


1 FIT APRON PLATES.

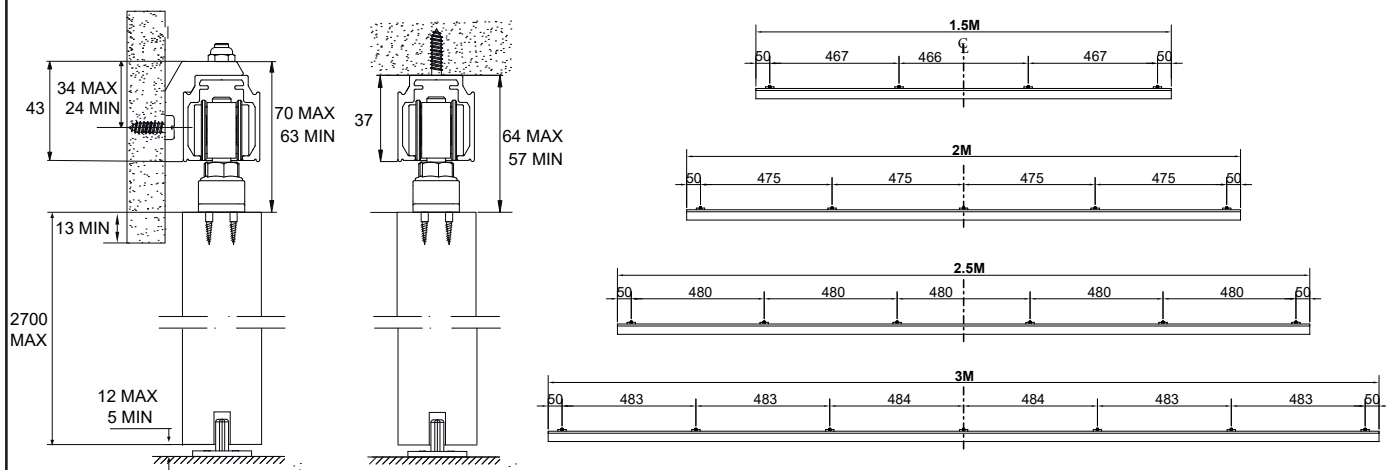


NOTE: IF INSTALLING SOFT CLOSE, SEE SEPARATE INSTRUCTIONS.

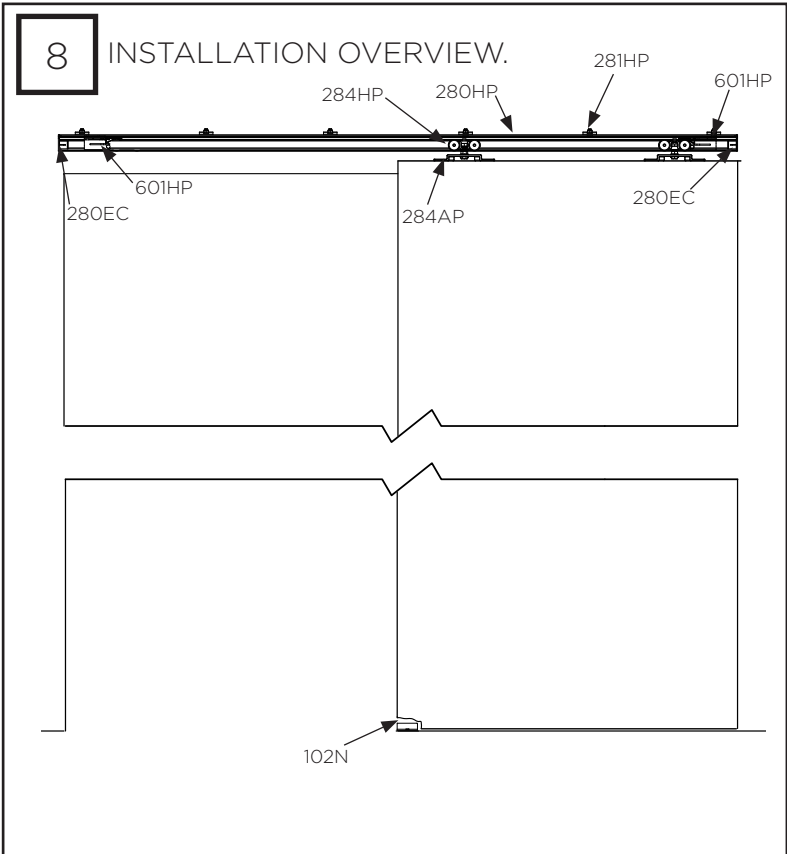
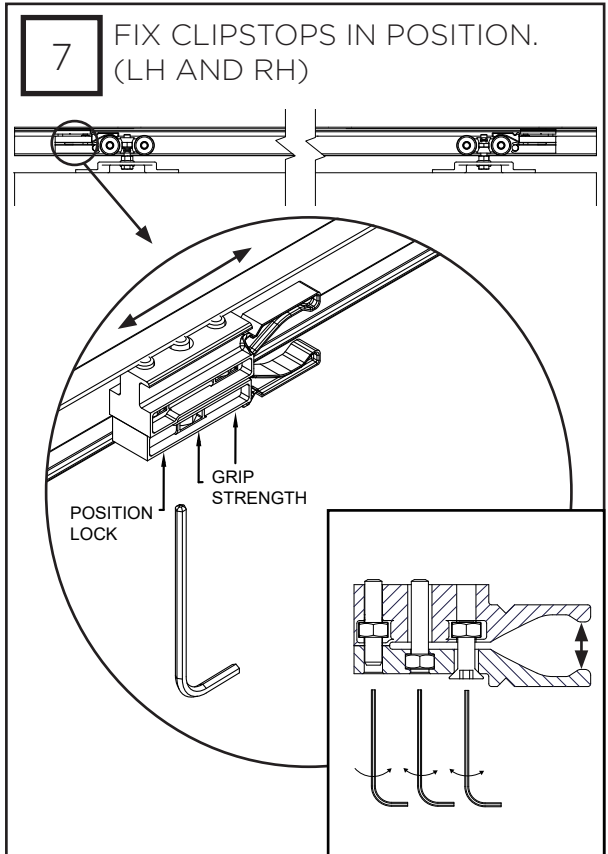
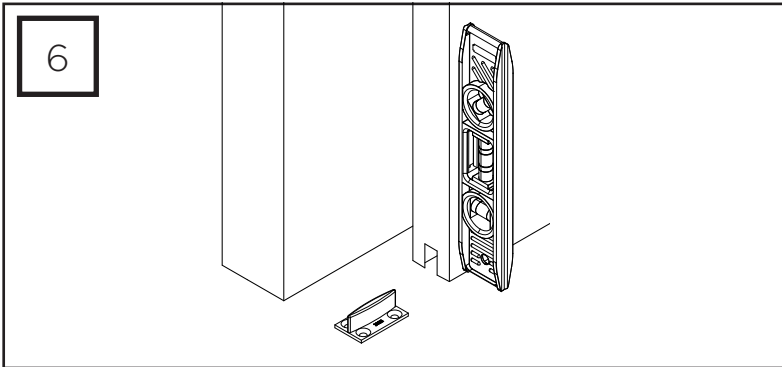
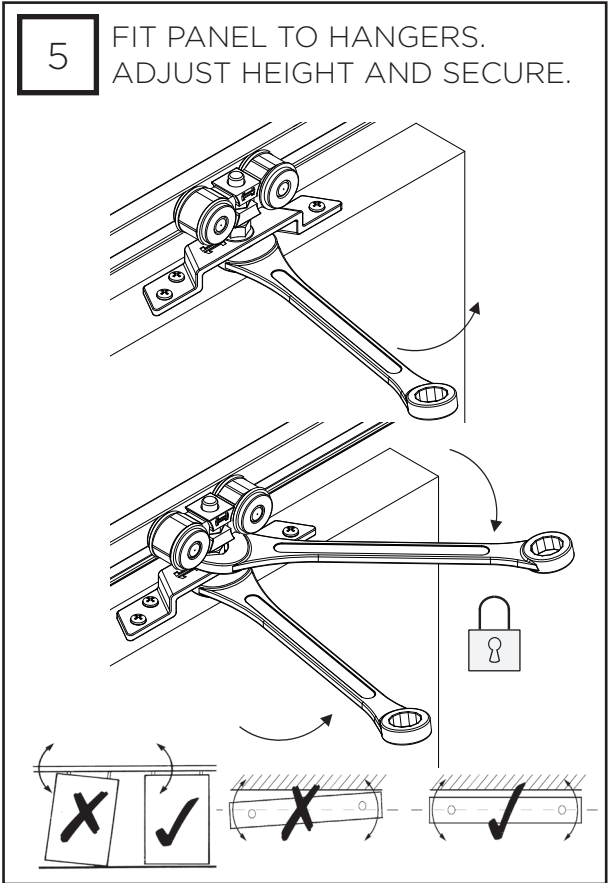
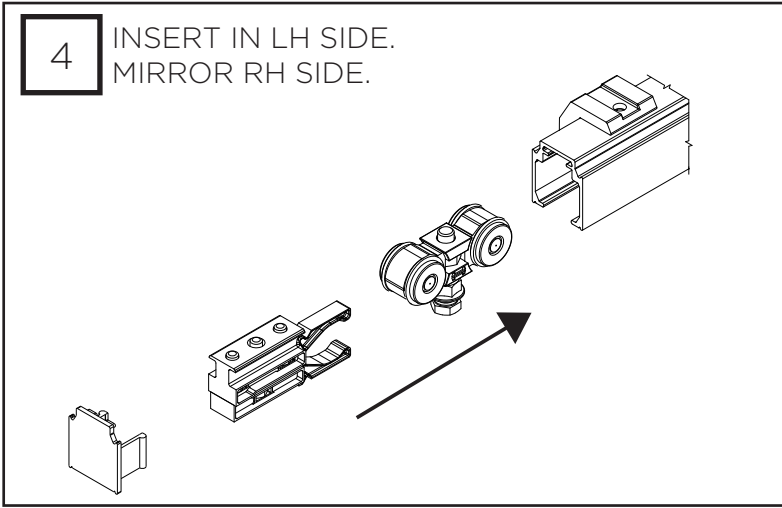
2 DOOR BASE



3 FIX TRACK POSITION.



NOTE: CL = OPENING EDGE



P C HENDERSON LTD
Durham Road, Bowburn,
Co. Durham,
DH6 5NG

UK SALES
t: +44 (0) 191 377 7345
e: sales@pchenderson.com
w: www.pchenderson.com

IRELAND SALES
t: +353 (0)1 643 6816
e: sales@pchenderson.ie
w: www.pchenderson.ie

INTERNATIONAL SALES
t: +44 (0) 191 377 7346
e: international@pchenderson.com
w: export.pchenderson.com

370763
REV 1
Feb-22