



<b>EN</b>	<b>Cordless Impact Wrench</b>	<b>INSTRUCTION MANUAL</b>	<b>5</b>
<b>FR</b>	<b>Boulonneuse sans Fil</b>	<b>MANUEL D'INSTRUCTIONS</b>	<b>16</b>
<b>DE</b>	<b>Akku-Schlagschrauber</b>	<b>BETRIEBSANLEITUNG</b>	<b>28</b>
<b>IT</b>	<b>Avvitatrice ad impulso a batteria</b>	<b>ISTRUZIONI PER L'USO</b>	<b>40</b>
<b>NL</b>	<b>Accuslagmoersleutel</b>	<b>GEBRUIKSAANWIJZING</b>	<b>52</b>
<b>ES</b>	<b>Llave de Impacto Inalámbrica</b>	<b>MANUAL DE INSTRUCCIONES</b>	<b>64</b>
<b>PT</b>	<b>Chave de Impacto a Bateria</b>	<b>MANUAL DE INSTRUÇÕES</b>	<b>76</b>
<b>DA</b>	<b>Elektronisk akku slag nøgle</b>	<b>BRUGSANVISNING</b>	<b>88</b>
<b>EL</b>	<b>Κρουστικό κλειδί μπαταρίας</b>	<b>ΕΓΧΕΙΡΙΔΙΟ ΟΔΗΓΙΩΝ</b>	<b>99</b>
<b>TR</b>	<b>Akülü Darbeli Somun Sıkma</b>	<b>KULLANMA KILAVUZU</b>	<b>111</b>

**DTWA070**  
**DTWA100**  
**DTWA140**  
**DTWA190**



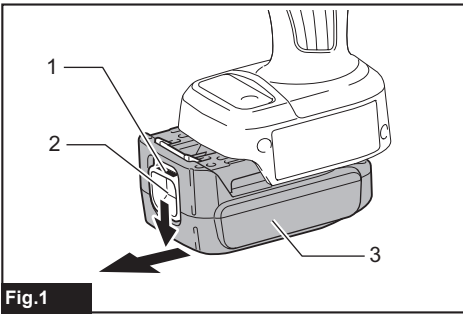


Fig.1

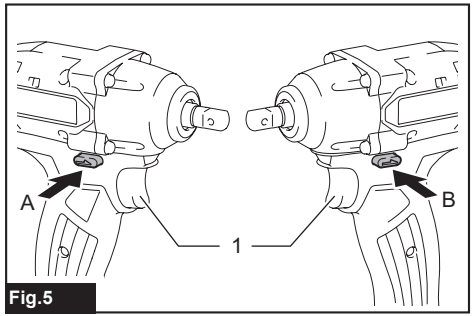


Fig.5

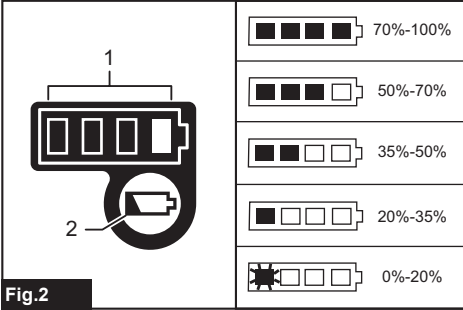


Fig.2

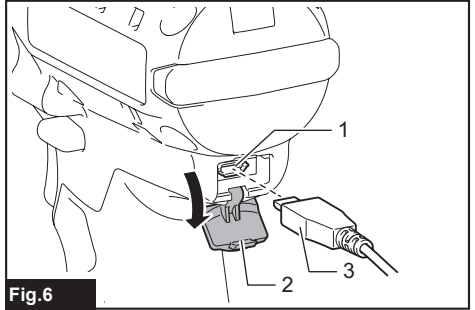


Fig.6

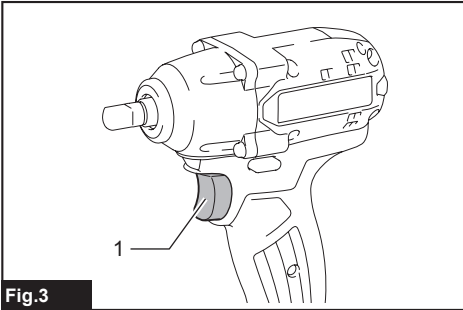


Fig.3

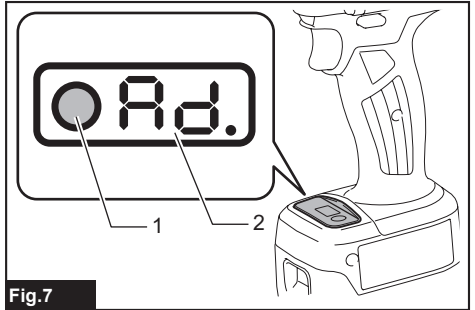


Fig.7

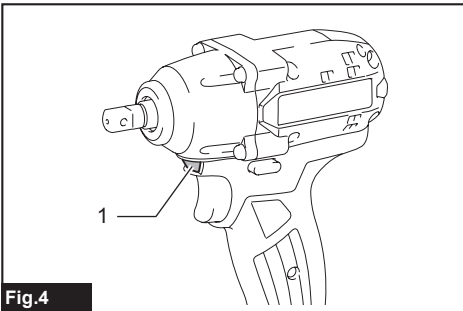


Fig.4

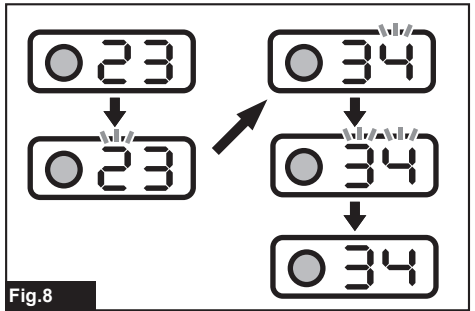
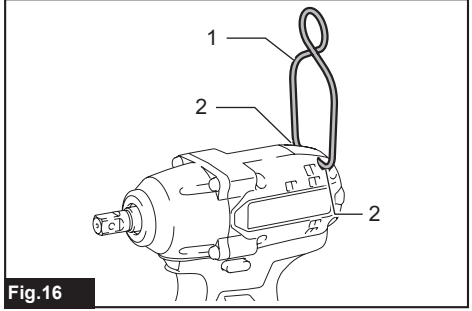
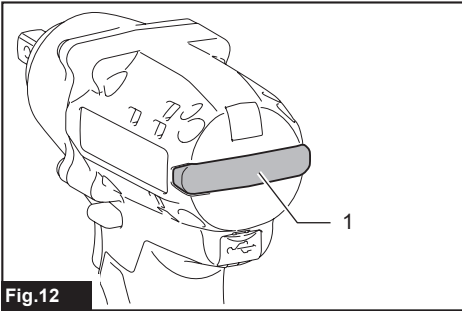
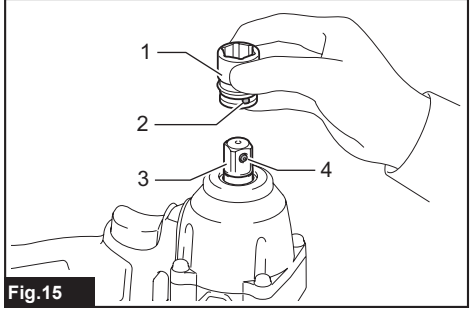
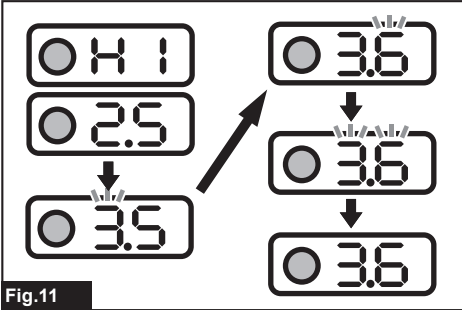
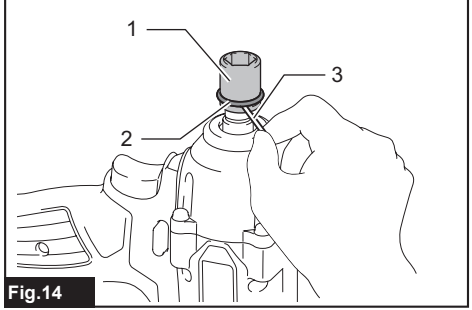
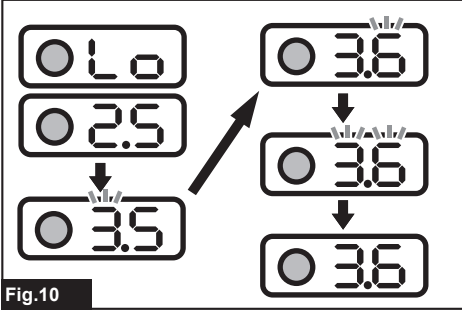
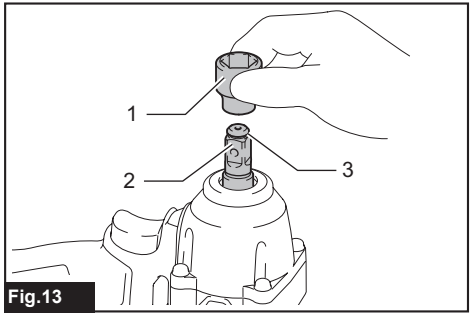
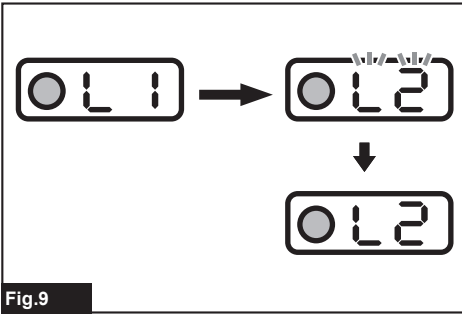
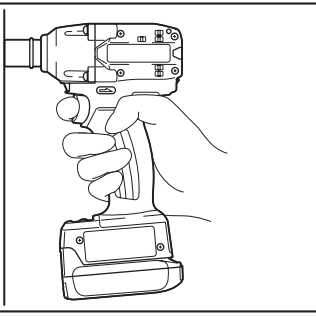


Fig.8



**Fig.17**



# SPECIFICATIONS

Model:		DTWA070	DTWA100	DTWA140	DTWA190
Fastening capacities	Standard bolt	M5 - M12		M6 - M16	M8 - M16
	High tensile bolt	M5 - M10		M6 - M12	M8 - M14
Maximum fastening torque		65 N•m	95 N•m	140 N•m	185 N•m
Torque range		Approx. 5 - 40 N•m	Approx. 6 - 65 N•m	Approx. 18 - 80 N•m	Approx. 25 - 125 N•m
Square drive		9.5 mm		12.7 mm	
No load speed (RPM)		0 - 2,500 min <sup>-1</sup>	0 - 2,700 min <sup>-1</sup>		0 - 2,600 min <sup>-1</sup>
Impacts per minute		0 - 3,700 min <sup>-1</sup>	0 - 3,300 min <sup>-1</sup>		0 - 3,000 min <sup>-1</sup>
Overall length		144 mm	151 mm	158 mm	
Rated voltage		D.C. 14.4 V			
Net weight		1.1 - 1.4 kg	1.2 - 1.4 kg	1.2 - 1.5 kg	1.3 - 1.6 kg
Applicable USB cable		661432-2			

- Due to our continuing program of research and development, the specifications herein are subject to change without notice.
- Specifications may differ from country to country.
- The weight may differ depending on the attachment(s), including the battery cartridge. The lightest and heaviest combination, according to EPTA-Procedure 01/2014, are shown in the table.

## Applicable battery cartridge and charger

Battery cartridge	BL1415N / BL1415NA / BL1430B / BL1440 / BL1460A / BL1460B
Charger	DC18RC / DC18RD / DC18RE / DC18SD / DC18SE / DC18SF / DC18SH

- Some of the battery cartridges and chargers listed above may not be available depending on your region of residence.

**⚠WARNING:** Only use the battery cartridges and chargers listed above. Use of any other battery cartridges and chargers may cause injury and/or fire.

## Intended use

The tool is intended for fastening bolts and nuts.

## Noise

The typical A-weighted noise level determined according to EN62841-2-2:

### Model DTWA070

Sound pressure level ( $L_{pA}$ ): 92 dB(A)

Sound power level ( $L_{WA}$ ): 103 dB (A)

Uncertainty (K): 3 dB(A)

### Model DTWA100

Sound pressure level ( $L_{pA}$ ): 93 dB(A)

Sound power level ( $L_{WA}$ ): 104 dB (A)

Uncertainty (K): 3 dB(A)

### Model DTWA140

Sound pressure level ( $L_{pA}$ ): 96 dB(A)

Sound power level ( $L_{WA}$ ): 107 dB (A)

Uncertainty (K): 3 dB(A)

### Model DTWA190

Sound pressure level ( $L_{pA}$ ): 95 dB(A)

Sound power level ( $L_{WA}$ ): 106 dB (A)

Uncertainty (K): 3 dB(A)

**NOTE:** The declared noise emission value(s) has been measured in accordance with a standard test method and may be used for comparing one tool with another.

**NOTE:** The declared noise emission value(s) may also be used in a preliminary assessment of exposure.

**⚠WARNING:** Wear ear protection.

**⚠WARNING:** The noise emission during actual use of the power tool can differ from the declared value(s) depending on the ways in which the tool is used especially what kind of workpiece is processed.

**⚠WARNING:** Be sure to identify safety measures to protect the operator that are based on an estimation of exposure in the actual conditions of use (taking account of all parts of the operating cycle such as the times when the tool is switched off and when it is running idle in addition to the trigger time).

## Vibration

The vibration total value (tri-axial vector sum) determined according to EN62841-2-2:

### Model DTWA070

Work mode: impact tightening of fasteners of the maximum capacity of the tool

Vibration emission ( $a_h$ ): 9.0 m/s<sup>2</sup>

Uncertainty (K): 1.5 m/s<sup>2</sup>

### Model DTWA100

Work mode: impact tightening of fasteners of the maximum capacity of the tool

Vibration emission ( $a_h$ ): 8.5 m/s<sup>2</sup>

Uncertainty (K): 1.5 m/s<sup>2</sup>

### Model DTWA140

Work mode: impact tightening of fasteners of the maximum capacity of the tool

Vibration emission ( $a_h$ ): 10.0 m/s<sup>2</sup>

Uncertainty (K): 1.5 m/s<sup>2</sup>

### Model DTWA190

Work mode: impact tightening of fasteners of the maximum capacity of the tool

Vibration emission ( $a_h$ ): 10.5 m/s<sup>2</sup>

Uncertainty (K): 1.5 m/s<sup>2</sup>

**NOTE:** The declared vibration total value(s) has been measured in accordance with a standard test method and may be used for comparing one tool with another.

**NOTE:** The declared vibration total value(s) may also be used in a preliminary assessment of exposure.

**⚠ WARNING:** The vibration emission during actual use of the power tool can differ from the declared value(s) depending on the ways in which the tool is used especially what kind of workpiece is processed.

**⚠ WARNING:** Be sure to identify safety measures to protect the operator that are based on an estimation of exposure in the actual conditions of use (taking account of all parts of the operating cycle such as the times when the tool is switched off and when it is running idle in addition to the trigger time).

## EC Declaration of Conformity

### For European countries only

The EC declaration of conformity is included as Annex A to this instruction manual.

## SAFETY WARNINGS

### General power tool safety warnings

**⚠ WARNING:** Read all safety warnings, instructions, illustrations and specifications provided with this power tool. Failure to follow all instructions listed below may result in electric shock, fire and/or serious injury.

## Save all warnings and instructions for future reference.

The term "power tool" in the warnings refers to your mains-operated (corded) power tool or battery-operated (cordless) power tool.

### Cordless impact wrench safety warnings

1. **Hold the power tool by insulated gripping surfaces, when performing an operation where the fastener may contact hidden wiring.** Fasteners contacting a "live" wire may make exposed metal parts of the power tool "live" and could give the operator an electric shock.
2. **Wear ear protectors.**
3. **Check the impact socket carefully for wear, cracks or damage before installation.**
4. **Hold the tool firmly.**
5. **Keep hands away from rotating parts.**
6. **Do not touch the impact socket, bolt, nut or the workpiece immediately after operation.** They may be extremely hot and could burn your skin.
7. **Always be sure you have a firm footing. Be sure no one is below when using the tool in high locations.**
8. **The proper fastening torque may differ depending upon the kind or size of the bolt. Check the torque with a torque wrench.**
9. **Make sure there are no electrical cables, water pipes, gas pipes etc. that could cause a hazard if damaged by use of the tool.**

### SAVE THESE INSTRUCTIONS.

**⚠ WARNING:** DO NOT let comfort or familiarity with product (gained from repeated use) replace strict adherence to safety rules for the subject product.

MISUSE or failure to follow the safety rules stated in this instruction manual may cause serious personal injury.

### Important safety instructions for battery cartridge

1. Before using battery cartridge, read all instructions and cautionary markings on (1) battery charger, (2) battery, and (3) product using battery.
2. Do not disassemble or tamper with the battery cartridge. It may result in a fire, excessive heat, or explosion.
3. If operating time has become excessively shorter, stop operating immediately. It may result in a risk of overheating, possible burns and even an explosion.
4. If electrolyte gets into your eyes, rinse them out with clear water and seek medical attention right away. It may result in loss of your eyesight.
5. Do not short the battery cartridge:
  - (1) Do not touch the terminals with any conductive material.
  - (2) Avoid storing battery cartridge in a container with other metal objects such as nails, coins, etc.
  - (3) Do not expose battery cartridge to water or rain.

A battery short can cause a large current flow, overheating, possible burns and even a breakdown.

6. Do not store and use the tool and battery cartridge in locations where the temperature may reach or exceed 50 °C (122 °F).
7. Do not incinerate the battery cartridge even if it is severely damaged or is completely worn out. The battery cartridge can explode in a fire.
8. Do not nail, cut, crush, throw, drop the battery cartridge, or hit against a hard object to the battery cartridge. Such conduct may result in a fire, excessive heat, or explosion.
9. Do not use a damaged battery.
10. The contained lithium-ion batteries are subject to the Dangerous Goods Legislation requirements.

For commercial transports e.g. by third parties, forwarding agents, special requirement on packaging and labeling must be observed.

For preparation of the item being shipped, consulting an expert for hazardous material is required. Please also observe possibly more detailed national regulations.

Tap or mask off open contacts and pack up the battery in such a manner that it cannot move around in the packaging.

11. When disposing of the battery cartridge, remove it from the tool and dispose of it in a safe place. Follow your local regulations relating to disposal of battery.
12. Use the batteries only with the products specified by Makita. Installing the batteries to non-compliant products may result in a fire, excessive heat, explosion, or leak of electrolyte.
13. If the tool is not used for a long period of time, the battery must be removed from the tool.
14. During and after use, the battery cartridge may take on heat which can cause burns or low temperature burns. Pay attention to the handling of hot battery cartridges.
15. Do not touch the terminal of the tool immediately after use as it may get hot enough to cause burns.
16. Do not allow chips, dust, or soil stuck into the terminals, holes, and grooves of the battery cartridge. It may result in poor performance or breakdown of the tool or battery cartridge.
17. Unless the tool supports the use near high-voltage electrical power lines, do not use the battery cartridge near high-voltage electrical power lines. It may result in a malfunction or breakdown of the tool or battery cartridge.
18. Keep the battery away from children.

## SAVE THESE INSTRUCTIONS.

**CAUTION:** Only use genuine Makita batteries. Use of non-genuine Makita batteries, or batteries that have been altered, may result in the battery bursting causing fires, personal injury and damage. It will also void the Makita warranty for the Makita tool and charger.

## Tips for maintaining maximum battery life

1. Charge the battery cartridge before completely discharged. Always stop tool operation and charge the battery cartridge when you notice less tool power.
2. Never recharge a fully charged battery cartridge. Overcharging shortens the battery service life.
3. Charge the battery cartridge with room temperature at 10 °C - 40 °C (50 °F - 104 °F). Let a hot battery cartridge cool down before charging it.
4. When not using the battery cartridge, remove it from the tool or the charger.
5. Charge the battery cartridge if you do not use it for a long period (more than six months).

## FUNCTIONAL DESCRIPTION

**CAUTION:** Always be sure that the tool is switched off and the battery cartridge is removed before adjusting or checking function on the tool.

## Installing or removing battery cartridge

**CAUTION:** Always switch off the tool before installing or removing of the battery cartridge.

**CAUTION:** Hold the tool and the battery cartridge firmly when installing or removing battery cartridge. Failure to hold the tool and the battery cartridge firmly may cause them to slip off your hands and result in damage to the tool and battery cartridge and a personal injury.

► Fig.1: 1. Red indicator 2. Button 3. Battery cartridge

To remove the battery cartridge, slide it from the tool while sliding the button on the front of the cartridge.

To install the battery cartridge, align the tongue on the battery cartridge with the groove in the housing and slip it into place. Insert it all the way until it locks in place with a little click. If you can see the red indicator as shown in the figure, it is not locked completely.

**CAUTION:** Always install the battery cartridge fully until the red indicator cannot be seen. If not, it may accidentally fall out of the tool, causing injury to you or someone around you.

**CAUTION:** Do not install the battery cartridge forcibly. If the cartridge does not slide in easily, it is not being inserted correctly.

## Tool / battery protection system

The tool is equipped with a tool/battery protection system. This system automatically cuts off power to the motor to extend tool and battery life. The tool will automatically stop during operation if the tool or battery is placed under one of the following conditions:

## Overload protection

When the battery is operated in a manner that causes it to draw an abnormally high current, the tool automatically stops without any indication. In this situation, turn the tool off and stop the application that caused the tool to become overloaded. Then turn the tool on to restart.

## Overheat protection

When the tool/battery is overheated, the tool stops automatically. In this situation, let the tool/battery cool before turning the tool on again.

## Overdischarge protection

When the battery capacity is not enough, the tool stops automatically. In this case, remove the battery from the tool and charge the battery.

## Checking the remaining battery capacity (BL1460A)

► Fig.2: 1. Indicator lamps 2. Check button

**NOTE:** Depending on the conditions of use and the ambient temperature, the indication may differ slightly from the actual capacity.

## When charging

When the charging begins, the first (far left) indicating lamp begins to blink. Then, as charging proceeds, the other lamps light, one after the other, to indicate the battery capacity.

**NOTE:** If the indicator lamp does not turn on or blink when charging, the battery may be faulty. In this case, ask your local service center.

## When using

When the tool is switched on, the lamps will light to indicate the remaining battery capacity. When the tool is switched off, the light goes out after approx. 5 seconds. When pushing the check button with the tool switched off, the indicator lamps turn on for approx. 5 seconds to show battery capacity.

If the orange lamp blinks, the tool stops because of little remaining battery capacity (Auto-stop mechanism). Charge the battery cartridge or use a charged battery cartridge at this time. When the tool is used with the battery that has not been used for a long time and is switched on, no lamps may light up. The tool stops because of little remaining battery capacity at this time. Charge the battery properly.

## Switch action

► Fig.3: 1. Switch trigger

**CAUTION:** Before installing the battery cartridge into the tool, always check to see that the switch trigger actuates properly and returns to the "OFF" position when released.

To start the tool, simply pull the switch trigger. Tool speed is increased by increasing pressure on the switch trigger. Release the switch trigger to stop.

**NOTE:** The tool automatically stops if you keep pulling the switch trigger for about 3 minutes.

## Lighting up the front lamp

► Fig.4: 1. Lamp

**CAUTION:** Do not look in the light or see the source of light directly.

Pull the switch trigger to light up the lamp. The lamp keeps on lighting while the switch trigger is being pulled. The lamp goes out approximately 10 seconds after releasing the switch trigger.

**NOTE:** Use a dry cloth to wipe the dirt off the lens of the lamp. Be careful not to scratch the lens of lamp, or it may lower the illumination.

## Reversing switch action

► Fig.5: 1. Reversing switch lever

**CAUTION:** Always check the direction of rotation before operation.

**CAUTION:** Use the reversing switch only after the tool comes to a complete stop. Changing the direction of rotation before the tool stops may damage the tool.

**CAUTION:** When not operating the tool, always set the reversing switch lever to the neutral position.

This tool has a reversing switch to change the direction of rotation. Depress the reversing switch lever from the A side for clockwise rotation or from the B side for counterclockwise rotation.

When the reversing switch lever is in the neutral position, the switch trigger cannot be pulled.

## Changing the parameter setting on the computer

You can configure detailed setting of the tool with the application software "Makita Industry Tool Settings". Install the application software on the computer and connect the tool to the computer with a USB cable. Refer to the instruction manual of "Makita Industry Tool Settings" for details on configuration.

► Fig.6: 1. USB port 2. USB cover 3. USB cable

**NOTICE:** Make sure that the USB cover closed when fastening.

**NOTE:** When the reversing switch lever is depressed in the clockwise rotation, the indicator shows the setting of clockwise rotation.

When the reversing switch lever is depressed in the counterclockwise rotation, the indicator shows the setting of counterclockwise rotation.

**NOTE:** Use preset number as a guideline. To keep the fastening torque, number of impacts changes automatically according to remaining battery capacity.

**NOTE:** Use the makita genuine USB cable to connect your computer to the tool. Refer to the section "SPECIFICATIONS".

**NOTE:** For the application software, please contact Makita sales representative.



## Changing the parameter setting on the tool (Field Setting mode)

**NOTICE:** This function is available by default. If you have disabled the Field Setting mode on the computer, enable this function beforehand. Refer to the instruction manual of "Makita Industry Tool Settings" for how to configure.

**NOTICE:** If the Field Setting mode is disabled, making settings on the tool is not available. When you press the setting button, the values set on the tool are displayed in order.

The current setting number is displayed on the indicator.

Every time you press the setting button, the indicator shows torque level, rundown level, workable time range, and "Ad".

► **Fig.7:** 1. Setting button 2. Indicator

You can change the following parameter settings on your tool:

- Auto-stop setting / Free mode

Setting item	Display on the indicator	Description
Torque level	01 - 40 FF OP	The torque level at which the Tightening Auto Stop mode works
Rundown level	L1 - L7 OP	The sensitivity of the fastener seating
Workable time range	Lo: 0.1 - 9.9 Hi: 0.1 - 9.9 --	The shortest/longest duration of the rotation when you continue to pull the switch trigger.

**NOTICE:** If "OP" (Loosening Auto Stop mode) is displayed on the indicator, torque level setting and rundown level setting is not available. In this case, change the mode to Tightening Auto Stop mode, and then set the torque level and rundown level on the computer using "Makita Industry Tool Settings".

### Changing the torque level

When changing the torque level from 23 to 34

► **Fig.8**

1. Press the setting button several times until the indicator shows 2-digit number which stands for the current setting of the torque level.
2. Press and hold the setting button until the number in the tens place starts blinking.
3. Set the number in the tens place by pressing the setting button briefly. Every time you press the setting button, the indicator shows the number from "0" to "4" and "F" in a cycle.
4. Press and hold the setting button until the number in the ones place starts blinking.
5. Set the number in the ones place by pressing the setting button briefly. Every time you press the setting button, the indicator shows the number from "0" to "9" and "F" in a cycle.
6. Press and hold the setting button for a few seconds.

**NOTE:** If you are not sure which torque level is suitable for your work, set "FF" so that the tool operates in the Free mode.

**NOTE:** If you input "00", "FF" is displayed instead of "00".

### Changing the rundown level

When changing the rundown level from L1 to L2

► **Fig.9**

1. Press the setting button several times until the indicator shows 2 characters beginning with "L" followed by a number. This stands for the current setting of the rundown level.
2. Press and hold the setting button until the indicator starts blinking.

3. Set the rundown level. Every time you press the setting button, the indicator shows from "L1" to "L7" in a cycle. The lowest rundown level is "L1" and "L7" is the highest.
4. Press and hold the setting button for a few seconds.

### Changing the shortest workable time range

When changing the shortest workable time range from 2.5 to 3.6

► **Fig.10**

1. Press the setting button several times until the indicator shows "Lo" and number alternatively. This stands for the current setting of the shortest workable time range.
2. Press and hold the setting button until the number in the ones place starts blinking.
3. Set the number in the ones place by pressing the setting button briefly. Every time you press the setting button, the indicator shows the number from "0" to "9" in a cycle.
4. Press and hold the setting button until the number in the decimal place starts blinking.
5. Set the number in the decimal place by pressing the setting button briefly. Every time you press the setting button, the indicator shows the number from "0" to "9" in a cycle.
6. Press and hold the setting button for a few seconds.

**NOTE:** When you set the value smaller than "0.1" for the shortest workable time range, the indicator shows "--" and the shortest workable time range becomes disabled. To input "--", set the value to "0.9", and then press the setting button when the number in the ones place is blinking.

## Changing the longest workable time range

### When changing the longest workable time range from 2.5 to 3.6

#### ► Fig.11

1. Press the setting button several times until the indicator shows "Hl" and number alternatively. This stands for the current setting of the longest workable time range.
2. Press and hold the setting button until the number in the ones place starts blinking.
3. Set the number in the ones place by pressing the setting button briefly. Every time you press the setting button, the indicator shows the number from "0" to "9" in a cycle.

4. Press and hold the setting button until the number in the decimal place starts blinking.
5. Set the number in the decimal place by pressing the setting button briefly. Every time you press the setting button, the indicator shows the number from "0" to "9" in a cycle.
6. Press and hold the setting button for a few seconds.

**NOTE:** When you set the value larger than "9.9" for the longest workable time range, the indicator shows "-.-" and the longest workable time range becomes disabled. To input "-.-", set the value to "9.9", and then press the setting button when the number in the ones place is blinking.

## Measuring an actual operation (Self-diagnosis)

**NOTICE:** This function is available by default. If you have disabled the Field Setting mode on the computer, enable this function beforehand. Refer to the instruction manual of "Makita Industry Tool Settings" for how to configure.

You can measure the torque level and operating time of an actual operation by operating the tool. Measured torque level and time can be used for such as;

- Reproducing a torque control technic of a well-skilled worker and;
- A time reference for the setting of the shortest/longest workable time range.

## Measuring the torque level and operating time

1. Press the setting button several times until "Ad." is displayed on the indicator.
2. Press and hold the setting button until the indicator shows "Ch".
3. Perform the operation that you want to measure the operating time.
  - If you have configured the torque level, operate the tool until it stops in the Tightening Auto Stop mode.
  - If you have not configured the torque level (Free mode), operate the tool as necessary.
4. Check the measured result. Press the setting button once to display the actual torque level, and press it one more time to display the actual operating time. Every time you press the setting button, the indicator shows "Ch", the number of actual torque level, and the number of actual operating time in a cycle.
5. Press and hold the setting button to exit the Self-diagnosis.

**NOTE:** The Tightening Auto Stop mode works even in the Self-diagnosis. If you want to measure the torque level without limitation, set the torque level "FF" (Free mode) and perform the procedures above.

**NOTE:** If "-.-" is displayed on the indicator, the impact did not work or the torque level is higher than 40. If "-.-" is displayed in the indicator, the operating time exceeded 9.9 seconds.

- In case the impact did not work: Remeasure the torque level with longer workable time.
- In case the torque level is higher than 40: The tool cannot measure the torque level. Use the tool with higher torque range if available.
- In case the operating time exceeded 9.9 seconds, the workable time range is not available.

Measuring example:

If you configure the following setting, you can read the tool status.

Case 1

Setting item	Tool setting	Measured result	Diagnosis
Torque level	23	20	The tool has stopped by the setting of the longest workable time range (3.5 sec.) before it reaches the setting of the Tightening Auto Stop mode (torque level 23).
Workable time range	shortest: 2.5 sec. longest: 3.5 sec.	3.5	

Case 2

Setting item	Tool setting	Measured result	Diagnosis
Torque level	23	23	The tool has stopped by the Tightening Auto Stop mode (torque level 23) before it reaches the setting of longest workable time range (3.5 sec.).
Workable time range	shortest: 2.5 sec. longest: 3.5 sec.	3	

## LED indicator / beeper

► Fig.12: 1. LED indicator

LED indicator / beeper on the tool shows the following functions.

Alarm No.	Function	Status of the tool	Status of the LED indicator/beeper		Action to be taken
			LED indicator	Beeper	
E0	Battery installation error	If the battery cartridge is installed with the switch trigger pulled, the tool stops to avoid unintentional start.	Blinks in red and green alternatively.	A series of long beeps	Install the battery cartridge with the switch trigger released.
E1	Auto-stop	The battery power became low and it is time to replace the battery cartridge.	Blinks in red and green alternatively.	A series of long beeps	Replace the battery with fully charged one.
E2	Anti-reset of controller	The battery voltage dropped abnormally for some reason, and the tool stopped.	Blinks in red and green alternatively.	A series of long beeps	Replace the battery with fully charged one.
E3	Auto-stop with low remaining battery capacity	The battery power is almost used up and the tool stopped.	Lights up in red.	A long beep	Replace the battery with fully charged one.
E4	Overload protection	The tool was overloaded and stopped.	Blinks in red and green alternatively.	A series of long beeps	Remove the cause of overload, and then restart the tool. Ask your local Makita Service Center for repair.
E5	Overheat protection	Tool's controller heated up abnormally and the tool stopped.	Blinks in red quickly.	A series of long beeps	Remove the battery cartridge immediately and cool the tool down.
E6	Motor lock	The motor has been locked. At this time, the tool does not work.	Blinks in red and green alternatively.	A series of long beeps	Release the switch trigger and pull it again.
E7	Motor failure	The tool detected a motor failure. At this time, tool does not work.	Blinks in red and green alternatively.	A series of long beeps	Ask your local Makita Service Center for repair.
E8	Switch failure	The tool detected a switch failure.	Blinks in red and green alternatively.	A series of long beeps	Ask your local Makita Service Center for repair.
E9	Alarm for a long period of use	The tool has been turned on for a long time (Approx. 3 minutes).	Blinks in red and green alternatively.	A long beep	Release the switch trigger and pull it again.
-	Auto-stop with fastening completion	The preset fastening torque has been achieved and the tool has stopped.	Lights up in green for approximately one second.	-	-
-	Alarm for insufficient fastening	The preset fastening torque has not been achieved because the switch trigger was released before completing the fastening.	Lights up in red for approximately one second.	A long beep	Retighten the fastener.
-	Alarm for limit of the fastening capacity	-	Blinks in red quickly.	A series of long beeps	Replace the battery with fully charged one.
-	Maintenance alarm	The number of drive has been reached to your preset number for the maintenance.	Blinks in yellow.	-	Reset the alarm with the application software.

Alarm No.	Function	Status of the tool	Status of the LED indicator/beeper		Action to be taken
			LED indicator	Beeper	
-	Alarm for no communication with the PC	No data communication while the tool is connected to the PC.	Blinks in yellow.	–	Restart the application software and re-connect the USB cable.
-	Indication that the tool can communicate with the PC	The tool is connected to the PC and able to communicate with.	Blinks in green.	–	–
-	Check for the lamp and beeper (when the battery cartridge is installed)	The tool performs the operation test for the LED indicator (green/red), light, and beeper.	The LED indicator lights up in green and then red. After that, the light turns on for a while.	A series of very short beeps	–

## ASSEMBLY

**⚠ CAUTION:** Always be sure that the tool is switched off and the battery cartridge is removed before carrying out any work on the tool.

### Selecting correct impact socket

Always use the correct size impact socket for bolts and nuts. An incorrect size impact socket will result in inaccurate and inconsistent fastening torque and/or damage to the bolt or nut.

### Installing or removing impact socket

#### Optional accessory

**⚠ CAUTION:** Make sure that the impact socket and the mounting portion are not damaged before installing the impact socket.

**⚠ CAUTION:** After inserting the impact socket, make sure that it is firmly secured. If it comes out, do not use it.

**NOTE:** The way of impact socket installation varies depending on the type of the square drive on the tool.

## Tool with the ring spring

### For impact socket without O-ring and pin

► **Fig.13:** 1. Impact socket 2. Square drive 3. Ring spring

Push the impact socket onto the square drive until it locks into place.

To remove the impact socket, simply pull it off.

### For impact socket with O-ring and pin

► **Fig.14:** 1. Impact socket 2. O-ring 3. Pin

Move the O-ring out of the groove in the impact socket and remove the pin from the impact socket. Fit the impact socket onto the square drive so that the hole in the impact socket is aligned with the hole in the square drive. Insert the pin through the hole in the impact socket and square drive. Then return the O-ring to the original position in the impact socket groove to retain the pin.

To remove the impact socket, follow the installation procedures in reverse.

## Tool with the detent pin

► **Fig.15:** 1. Impact socket 2. Hole 3. Square drive 4. Detent pin

Align the hole in the side of the impact socket with the detent pin on the square drive and push the impact socket onto the square drive until it locks into place. Tap it lightly if required.

To remove the impact socket, simply pull it off. If it is hard to remove, depress the detent pin while pulling the impact socket.

### Installing hook

#### Optional accessory

The hook is useful to hang the tool. Install the hook to the holes on the tool body.

► **Fig.16:** 1. Hook 2. Hole

## OPERATION

**⚠ CAUTION:** Always insert the battery cartridge all the way until it locks in place. If you can see the red indicator on the upper side of the button, it is not locked completely. Insert it fully until the red indicator cannot be seen. If not, it may accidentally fall out of the tool, causing injury to you or someone around you.

**⚠ CAUTION:** Hold the tool firmly and place the impact socket over the bolt or nut. Turn the tool on and fasten for the proper fastening time.

**⚠ CAUTION:** If the tool is operated continuously until the battery cartridge has discharged, allow the tool to rest for 15 minutes before proceeding with a fresh battery cartridge.

**⚠ CAUTION:** Pressing excessively on the tool will not speed up the drilling. In fact, this excessive pressure will only serve to damage the tip of your drill bit, decrease the tool performance and shorten the service life of the tool.

**⚠ CAUTION:** Always secure workpieces in a vise or similar hold-down device.

► Fig.17

The proper fastening torque may differ depending upon the kind or size of the bolt, the material of the workpiece to be fastened, etc.

**NOTICE:** When fastening small bolts, carefully adjust pressure on the switch trigger so that the bolt is not damaged.

**NOTICE:** Hold the tool pointed straight at the bolt or nut.

**NOTICE:** Excessive fastening torque may damage the bolt/nut or impact socket. Before starting your job, always perform a test operation to determine the proper fastening time for your bolt or nut.

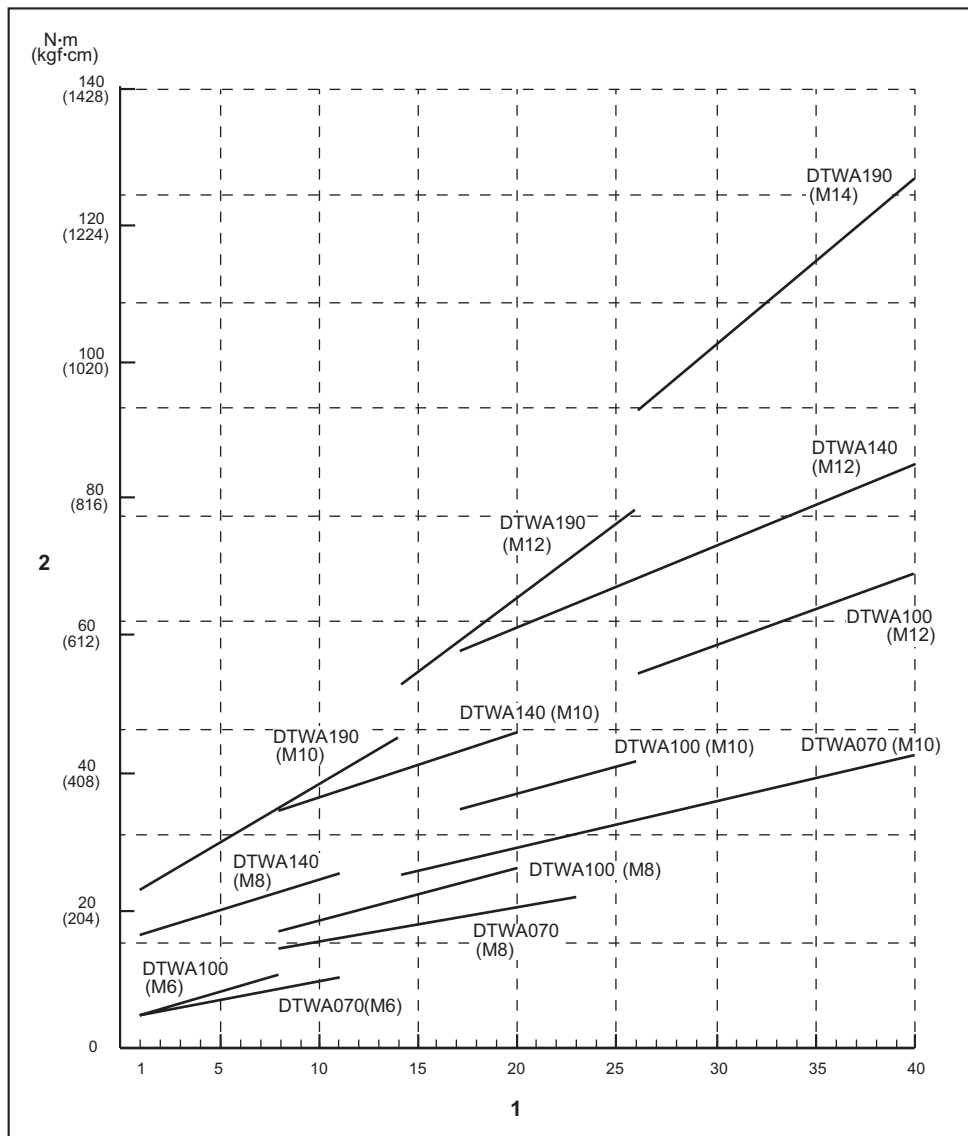
The fastening torque is affected by a wide variety of factors including the following. After fastening, always check the torque with a torque wrench.

1. When the battery cartridge is discharged almost completely, voltage will drop and the fastening torque will be reduced.
2. Impact socket
  - Failure to use the correct size impact socket will cause a reduction in the fastening torque.
  - A worn impact socket (wear on the hex end or square end) will cause a reduction in the fastening torque.
3. Bolt
  - Even though the torque coefficient and the class of bolt are the same, the proper fastening torque will differ according to the diameter of bolt.
  - Even though the diameters of bolts are the same, the proper fastening torque will differ according to the torque coefficient, the class of bolt and the bolt length.
4. The use of the universal joint or the extension bar somewhat reduces the fastening force of the impact wrench. Compensate by fastening for a longer period of time.
5. The manner of holding the tool or the material of driving position to be fastened will affect the torque.
6. Operating the tool at low speed will cause a reduction in the fastening torque.

# Fastening torque and torque level

**NOTE:** This reference value is measured by the measurement conditions specified by Makita.

**NOTE:** The actual value may differ according to circumstances of the fasteners, materials, and fastening method. Perform a test drive before actual work.



1. Torque level 2. Fastening torque

# MAINTENANCE

**⚠ CAUTION:** Always be sure that the tool is switched off and the battery cartridge is removed before attempting to perform inspection or maintenance.

**NOTICE:** Never use gasoline, benzine, thinner, alcohol or the like. Discoloration, deformation or cracks may result.

To maintain product SAFETY and RELIABILITY, repairs, any other maintenance or adjustment should be performed by Makita Authorized or Factory Service Centers, always using Makita replacement parts.

# OPTIONAL ACCESSORIES

**⚠ CAUTION:** These accessories or attachments are recommended for use with your Makita tool specified in this manual. The use of any other accessories or attachments might present a risk of injury to persons. Only use accessory or attachment for its stated purpose.

If you need any assistance for more details regarding these accessories, ask your local Makita Service Center.

- Hook
- Protector (Blue, Red, Yellow, Green, Clear)
- Battery Protector for BL1460A
- Battery Protector for BL1415NA
- Makita genuine battery and charger
- USB cable

**NOTE:** Some items in the list may be included in the tool package as standard accessories. They may differ from country to country.

# SPÉCIFICATIONS

Modèle :		DTWA070	DTWA100	DTWA140	DTWA190
Capacités de serrage	Boulon standard	M5 - M12		M6 - M16	M8 - M16
	Boulon à haute résistance	M5 - M10		M6 - M12	M8 - M14
Couple de serrage maximum		65 N•m	95 N•m	140 N•m	185 N•m
Plage du couple		Environ 5 - 40 N•m	Environ 6 - 65 N•m	Environ 18 - 80 N•m	Environ 25 - 125 N•m
Carré conducteur		9,5 mm		12,7 mm	
Vitesse à vide (tr/min)		0 - 2 500 min <sup>-1</sup>	0 - 2 700 min <sup>-1</sup>		0 - 2 600 min <sup>-1</sup>
Coups par minute		0 - 3 700 min <sup>-1</sup>	0 - 3 300 min <sup>-1</sup>		0 - 3 000 min <sup>-1</sup>
Longueur totale		144 mm	151 mm	158 mm	
Tension nominale		14,4 V CC			
Poids net		1,1 - 1,4 kg	1,2 - 1,4 kg	1,2 - 1,5 kg	1,3 - 1,6 kg
Câble USB applicable		661432-2			

- Étant donné l'évolution constante de notre programme de recherche et de développement, les spécifications contenues dans ce manuel sont sujettes à modification sans préavis.
- Les spécifications peuvent varier suivant les pays.
- Le poids peut être différent selon les accessoires, notamment la batterie. Les associations la plus légère et la plus lourde, conformément à la procédure EPTA 01/2014, sont indiquées dans le tableau.

## Batterie et chargeur applicables

Batterie	BL1415N / BL1415NA / BL1430B / BL1440 / BL1460A / BL1460B
Chargeur	DC18RC / DC18RD / DC18RE / DC18SD / DC18SE / DC18SF / DC18SH

- Certains chargeurs et batteries répertoriés ci-dessus peuvent ne pas être disponibles selon la région où vous résidez.

**⚠ AVERTISSEMENT : N'utilisez que les batteries et les chargeurs répertoriés ci-dessus.** L'utilisation d'autres batteries et chargeurs peut provoquer des blessures et/ou un incendie.

## Utilisations

L'outil est conçu pour la fixation des boulons et des écrous.

## Bruit

Niveau de bruit pondéré A typique, déterminé selon EN62841-2-2 :

### Modèle DTWA070

Niveau de pression sonore ( $L_{pA}$ ) : 92 dB (A)  
 Niveau de puissance sonore ( $L_{WA}$ ) : 103 dB (A)  
 Incertitude (K) : 3 dB (A)

### Modèle DTWA100

Niveau de pression sonore ( $L_{pA}$ ) : 93 dB (A)  
 Niveau de puissance sonore ( $L_{WA}$ ) : 104 dB (A)  
 Incertitude (K) : 3 dB (A)

### Modèle DTWA140

Niveau de pression sonore ( $L_{pA}$ ) : 96 dB (A)  
 Niveau de puissance sonore ( $L_{WA}$ ) : 107 dB (A)  
 Incertitude (K) : 3 dB (A)

### Modèle DTWA190

Niveau de pression sonore ( $L_{pA}$ ) : 95 dB (A)  
 Niveau de puissance sonore ( $L_{WA}$ ) : 106 dB (A)  
 Incertitude (K) : 3 dB (A)

**NOTE :** La ou les valeurs d'émission de bruit déclarées ont été mesurées conformément à la méthode de test standard et peuvent être utilisées pour comparer les outils entre eux.

**NOTE :** La ou les valeurs d'émission de bruit déclarées peuvent aussi être utilisées pour l'évaluation préliminaire de l'exposition.

**⚠ AVERTISSEMENT : Portez un serre-tête antibruit.**

**⚠ AVERTISSEMENT :** L'émission de bruit lors de l'usage réel de l'outil électrique peut être différente de la ou des valeurs déclarées, suivant la façon dont l'outil est utilisé, particulièrement selon le type de pièce usinée.

**⚠ AVERTISSEMENT :** Les mesures de sécurité à prendre pour protéger l'utilisateur doivent être basées sur une estimation de l'exposition dans des conditions réelles d'utilisation (en tenant compte de toutes les composantes du cycle d'utilisation, comme par exemple le moment de sa mise hors tension, lorsqu'il tourne à vide et le moment de son déclenchement).



## Vibrations

Valeur totale de vibrations (somme de vecteur triaxial) déterminée selon EN62841-2-2 :

### Modèle DTWA070

Mode de travail : serrage avec impact de vis ou boulon ne dépassant pas la capacité maximale de l'outil

Émission de vibrations ( $a_{\text{h}}$ ) : 9,0 m/s<sup>2</sup>

Incertitude (K) : 1,5 m/s<sup>2</sup>

### Modèle DTWA100

Mode de travail : serrage avec impact de vis ou boulon ne dépassant pas la capacité maximale de l'outil

Émission de vibrations ( $a_{\text{h}}$ ) : 8,5 m/s<sup>2</sup>

Incertitude (K) : 1,5 m/s<sup>2</sup>

### Modèle DTWA140

Mode de travail : serrage avec impact de vis ou boulon ne dépassant pas la capacité maximale de l'outil

Émission de vibrations ( $a_{\text{h}}$ ) : 10,0 m/s<sup>2</sup>

Incertitude (K) : 1,5 m/s<sup>2</sup>

### Modèle DTWA190

Mode de travail : serrage avec impact de vis ou boulon ne dépassant pas la capacité maximale de l'outil

Émission de vibrations ( $a_{\text{h}}$ ) : 10,5 m/s<sup>2</sup>

Incertitude (K) : 1,5 m/s<sup>2</sup>

**NOTE** : La ou les valeurs de vibration totales déclarées ont été mesurées conformément à la méthode de test standard et peuvent être utilisées pour comparer les outils entre eux.

**NOTE** : La ou les valeurs de vibration totales déclarées peuvent aussi être utilisées pour l'évaluation préliminaire de l'exposition.

**⚠ AVERTISSEMENT** : L'émission de vibrations lors de l'usage réel de l'outil électrique peut être différente de la ou des valeurs déclarées, suivant la façon dont l'outil est utilisé, particulièrement selon le type de pièce usinée.

**⚠ AVERTISSEMENT** : Les mesures de sécurité à prendre pour protéger l'utilisateur doivent être basées sur une estimation de l'exposition dans des conditions réelles d'utilisation (en tenant compte de toutes les composantes du cycle d'utilisation, comme par exemple le moment de sa mise hors tension, lorsqu'il tourne à vide et le moment de son déclenchement).

## Déclaration de conformité CE

*Pour les pays européens uniquement*

La déclaration de conformité CE est fournie en Annexe A à ce mode d'emploi.

## CONSIGNES DE SÉCURITÉ

### Consignes de sécurité générales pour outils électriques

**⚠ AVERTISSEMENT** : Veuillez lire les consignes de sécurité, instructions, illustrations et spécifications qui accompagnent cet outil électrique. Le non-respect de toutes les instructions indiquées ci-dessous peut entraîner une électrocution, un incendie et/ou de graves blessures.

## Conservez toutes les mises en garde et instructions pour référence ultérieure.

Le terme « outil électrique » dans les avertissements fait référence à l'outil électrique alimenté par le secteur (avec cordon d'alimentation) ou à l'outil électrique fonctionnant sur batterie (sans cordon d'alimentation).

## Consignes de sécurité pour boulonneuse sans fil

- Tenez l'outil électrique par des surfaces de prise isolées lorsque vous effectuez une tâche au cours de laquelle la vis ou le boulon peut entrer en contact avec des fils cachés.** Le contact de la vis ou du boulon avec un fil sous tension peut transmettre du courant dans les pièces métalliques exposées de l'outil et électrocuter l'opérateur.
- Portez un casque anti-bruit.**
- Vérifiez que la douille à choc n'est pas usée, fissurée ou endommagée avant l'installation.**
- Tenez votre outil fermement.**
- Gardez les mains éloignées des pièces en rotation.**
- Ne touchez pas la douille à choc, le boulon, l'écrou ou la pièce immédiatement après le fonctionnement.** Ils pourraient être extrêmement chauds et vous brûler la peau.
- Ayez toujours une assise ferme sous vos pieds.**  
**Veillez à ce que personne ne se trouve en dessous de vous quand vous utilisez l'outil en hauteur.**
- Le couple de serrage correct peut varier en fonction du type ou de la dimension du boulon.** Vérifiez le couple à l'aide d'une clé dynamométrique.
- Assurez-vous qu'il n'y a pas de câbles électriques, de conduites d'eau, de conduites de gaz, etc., présentant un risque s'ils sont endommagés suite à l'utilisation de l'outil.**

## CONSERVEZ CES INSTRUCTIONS.

**⚠ AVERTISSEMENT** : NE vous laissez PAS tromper (au fil d'une utilisation répétée) par un sentiment d'aisance et de familiarité avec le produit, en négligeant le respect rigoureux des consignes de sécurité qui accompagnent le produit en question.

La MAUVAISE UTILISATION de l'outil ou l'ignorance des consignes de sécurité indiquées dans ce mode d'emploi peut entraîner de graves blessures.

## Consignes de sécurité importantes pour la batterie

1. Avant d'utiliser la batterie, lisez toutes les instructions et précautions relatives (1) au chargeur de batterie, (2) à la batterie, et (3) au produit utilisant la batterie.
2. Ne désassemblez pas et ne modifiez pas la batterie. Cela pourrait entraîner un incendie, une chaleur excessive ou une explosion.
3. Cessez immédiatement l'utilisation si le temps de fonctionnement devient excessivement court. Il y a risque de surchauffe, de brûlures, voire d'explosion.
4. Si l'électrolyte pénètre dans vos yeux, rincez-les à l'eau claire et consultez immédiatement un médecin. Il y a risque de perte de la vue.
5. Ne court-circuitez pas la batterie :
  - (1) Ne touchez les bornes avec aucun matériau conducteur.
  - (2) Évitez de ranger la batterie dans un conteneur avec d'autres objets métalliques, par exemple des clous, des pièces de monnaie, etc.
  - (3) N'exposez pas la batterie à l'eau ou à la pluie.

Un court-circuit de la batterie peut provoquer une intensité de courant élevée, une surchauffe, parfois des brûlures et même une panne.

6. Ne rangez ni n'utilisez l'outil et la batterie dans un endroit où la température risque d'atteindre ou de dépasser 50 °C.
7. Ne jetez pas la batterie au feu même si elle est sérieusement endommagée ou complètement épuisée. La batterie peut exploser au contact du feu.
8. Abstenez-vous de clouer, couper, écraser, jeter, laisser tomber la batterie, ou de la heurter contre un objet dur. Cela pourrait entraîner un incendie, une chaleur excessive ou une explosion.
9. N'utilisez pas la batterie si elle est endommagée.
10. Les batteries au lithium-ion contenues sont soumises aux exigences de la législation sur les marchandises dangereuses.

Lors du transport commercial par des tierces parties ou des transitaires par exemple, des exigences spécifiques en matière d'étiquetage et d'emballage doivent être respectées.

Pour la préparation de l'article expédié, il est nécessaire de consulter un expert en matériau dangereux. Veuillez également respecter les réglementations nationales susceptibles d'être plus détaillées.

Recouvrez les contacts exposés avec du ruban adhésif ou du ruban de masquage et emballez la batterie de telle sorte qu'elle ne puisse pas bouger dans l'emballage.

11. Lors de la mise au rebut de la batterie, retirez-la de l'outil et jetez-la en lieu sûr. Suivez les réglementations locales en matière de mise au rebut des batteries.
12. Utilisez les batteries uniquement avec les produits spécifiés par Makita. L'insertion de batteries dans des produits non conformes peut provoquer un incendie, une chaleur excessive, une explosion ou une fuite de l'électrolyte.
13. Lorsque vous n'utilisez pas l'outil pendant une période prolongée, la batterie doit être retirée de l'outil.
14. Pendant et après l'utilisation, la batterie peut chauffer, ce qui peut entraîner des brûlures, y compris en cas de température relativement basse. Manipulez les batteries chaudes avec précaution.
15. Ne touchez pas la borne de l'outil immédiatement après utilisation car elle peut être assez chaude pour provoquer des brûlures.
16. Évitez que des copeaux, de la poussière ou du sol adhèrent aux bornes, aux trous et aux rainures de la batterie. Cela pourrait réduire les performances ou casser l'outil ou la batterie.
17. À moins que l'outil prenne en charge un tel usage, n'utilisez pas la batterie à proximité de lignes électriques haute tension. Cela pourrait entraîner un dysfonctionnement ou casser l'outil ou la batterie.
18. Conservez la batterie hors de portée des enfants.

## CONSERVEZ CES INSTRUCTIONS.

**⚠ ATTENTION :** N'utilisez que des batteries Makita d'origine. L'utilisation de batteries de marque autre que Makita ou de batteries modifiées peut provoquer l'explosion des batteries, ce qui présente un risque d'incendie, de dommages matériels et corporels. Cela annulera également la garantie Makita pour l'outil et le chargeur Makita.

## Conseils pour assurer la durée de vie optimale de la batterie

1. Chargez la batterie avant qu'elle ne soit complètement déchargée. Arrêtez toujours l'outil et rechargez la batterie quand vous remarquez que la puissance de l'outil diminue.
2. Ne rechargez jamais une batterie complètement chargée. La surcharge réduit la durée de service de la batterie.
3. Chargez la batterie à une température ambiante comprise entre 10 °C et 40 °C. Avant de charger une batterie chaude, laissez-la refroidir.
4. Lorsque vous n'utilisez pas la batterie, retirez-la de l'outil ou du chargeur.
5. Rechargez la batterie si elle est restée inutilisée pendant une période prolongée (plus de six mois).

## DESCRIPTION DU FONCTIONNEMENT

**⚠ ATTENTION** : Assurez-vous toujours que l'outil est hors tension et que sa batterie est retirée avant de l'ajuster ou de vérifier son fonctionnement.

### Insertion ou retrait de la batterie

**⚠ ATTENTION** : Éteignez toujours l'outil avant de mettre en place ou de retirer la batterie.

**⚠ ATTENTION** : Tenez fermement l'outil et la batterie lors de la mise en place ou du retrait de la batterie. Si vous ne tenez pas fermement l'outil et la batterie, ils peuvent vous glisser des mains, et s'abîmer ou vous blesser.

► Fig.1: 1. Indicateur rouge 2. Bouton 3. Batterie

Pour retirer la batterie, faites-la glisser hors de l'outil tout en faisant glisser le bouton à l'avant de la batterie.

Pour mettre la batterie en place, alignez la languette de la batterie avec la rainure du compartiment puis insérez la batterie. Insérez-la entièrement jusqu'à entendre un léger dé clic indiquant qu'elle est bien en place. Si vous pouvez voir l'indicateur rouge comme illustré sur la figure, c'est qu'elle n'est pas bien verrouillée.

**⚠ ATTENTION** : Insérez toujours complètement la batterie jusqu'à ce que l'indicateur rouge ne soit plus visible. Sinon, elle pourrait tomber accidentellement de l'outil, au risque de vous blesser ou de blesser quelqu'un se trouvant près de vous.

**⚠ ATTENTION** : N'insérez pas la batterie de force. Si elle ne glisse pas facilement, c'est que vous ne l'insérez pas correctement.

### Système de protection de l'outil/la batterie

L'outil est équipé d'un système de protection de l'outil/la batterie. Ce système coupe automatiquement l'alimentation vers le moteur pour prolonger la durée de vie de l'outil et de la batterie. Si l'outil ou la batterie se trouve dans l'une des situations suivantes, l'outil cessera automatiquement de fonctionner.

### Protection contre la surcharge

Lorsque la batterie est utilisée d'une manière provoquant un appel de courant anormalement élevé, l'outil s'arrête automatiquement sans indication. Dans ce cas, éteignez l'outil et arrêtez la tâche ayant provoqué la surcharge de l'outil. Puis rallumez l'outil pour reprendre la tâche.

### Protection contre la surchauffe

En cas de surchauffe de l'outil ou de la batterie, l'outil s'arrête automatiquement. Dans ce cas, laissez l'outil ou la batterie refroidir avant de rallumer l'outil.

## Protection contre la décharge totale de la batterie

Lorsque la charge de la batterie est insuffisante, l'outil s'arrête automatiquement. Dans ce cas, retirez la batterie de l'outil et chargez-la.

### Vérification de la charge restante de la batterie (BL1460A)

► Fig.2: 1. Témoins 2. Bouton de vérification

**NOTE** : Selon les conditions d'utilisation et la température ambiante, l'indication peut être légèrement différente de la capacité réelle.

### Pendant la charge

Lorsque la charge commence, le premier voyant lumineux (complètement à gauche) se met à clignoter. Puis les autres voyants s'allument l'un à la suite de l'autre à mesure que la charge progresse, pour indiquer le niveau de charge de la batterie.

**NOTE** : Si le voyant lumineux ne s'allume pas ou clignote pendant la charge, il se peut que la batterie soit défectueuse. Dans ce cas, contactez votre centre de service après-vente local.

### Pendant l'utilisation

Après la mise sous tension de l'outil, les voyants s'allument pour indiquer la charge restante de la batterie. La lumière s'éteint au bout de 5 secondes environ lors de la mise hors tension de l'outil.

Si vous enfoncez le bouton de vérification alors que l'outil est éteint, les voyants lumineux s'allument pendant environ 5 secondes pour indiquer la charge de la batterie.

Si le voyant orange clignote, l'outil s'arrête en raison d'une faible charge restante de la batterie (mécanisme d'arrêt automatique). Chargez la batterie ou utilisez une batterie chargée alors.

Si vous mettez l'outil sous tension après avoir inséré une batterie n'ayant pas été utilisée pendant une période prolongée, il se peut qu'aucun voyant ne s'allume. L'outil s'arrête alors en raison d'une faible charge restante de la batterie. Chargez correctement la batterie.

### Fonctionnement de la gâchette

► Fig.3: 1. Gâchette

**⚠ ATTENTION** : Avant d'insérer la batterie dans l'outil, vérifiez toujours que la gâchette fonctionne bien et revient en position d'arrêt lorsque vous la relâchez.

Il suffit d'enclencher la gâchette pour démarrer l'outil. La vitesse de l'outil augmente à mesure que l'on accroît la pression exercée sur la gâchette. Pour l'arrêter, relâchez la gâchette.

**NOTE** : L'outil s'arrêtera automatiquement si vous continuez d'enclencher la gâchette pendant 3 minutes environ.

## Allumage de la lampe avant

► Fig.4: 1. Lampe

**ATTENTION** : Évitez de regarder directement le faisceau lumineux ou sa source.

Enclenchez la gâchette pour allumer la lampe. La lampe reste allumée tant que la gâchette est enclenchée. La lampe s'éteint environ 10 secondes après avoir relâché la gâchette.

**NOTE** : Retirez la saleté sur la lentille de la lampe avec un chiffon sec. Prenez soin de ne pas érafler la lentille de la lampe sous peine de diminuer son éclairage.

## Fonctionnement de l'inverseur

► Fig.5: 1. Levier de l'inverseur

**ATTENTION** : Vérifiez toujours le sens de rotation avant d'utiliser l'outil.

**ATTENTION** : N'utilisez l'inverseur qu'une fois que l'outil est complètement arrêté. Si vous changez le sens de rotation avant l'arrêt de l'outil, vous risquez de l'endommager.

**ATTENTION** : Lorsque vous n'utilisez pas l'outil, placez toujours le levier de l'inverseur en position neutre.

L'outil possède un inverseur qui permet de changer le sens de rotation. Enfoncez le levier de l'inverseur du côté A pour une rotation dans le sens des aiguilles d'une montre, ou du côté B pour une rotation dans le sens inverse des aiguilles d'une montre. La gâchette ne peut pas être enclenchée lorsque le levier de l'inverseur se trouve en position neutre.

## Modification du réglage des paramètres sur l'ordinateur

Vous pouvez configurer les réglages détaillés de l'outil avec le logiciel d'application « Paramètres des outils industriels Makita ». Installez le logiciel d'application sur l'ordinateur et connectez l'outil à l'ordinateur avec un câble USB.

Reportez-vous au mode d'emploi du logiciel d'application « Paramètres des outils industriels Makita » pour en savoir plus sur la configuration.

► Fig.6: 1. Port USB 2. Cache USB 3. Câble USB

**REMARQUE** : Assurez-vous que le cache USB est fermé lors du serrage.

**NOTE** : Lorsque le levier de l'inverseur est enfoncé dans le sens des aiguilles d'une montre, l'indicateur montre le réglage de rotation dans le sens horaire.

Lorsque le levier de l'inverseur est enfoncé dans le sens inverse des aiguilles d'une montre, l'indicateur montre le réglage de rotation dans le sens anti-horaire.

**NOTE** : Utilisez le nombre prédéfini à titre indicatif. Pour conserver le couple de serrage, le nombre d'impacts change automatiquement selon la capacité restante de la batterie.

**NOTE** : Utilisez le câble USB Makita d'origine pour raccorder votre ordinateur à l'outil. Reportez-vous à la section « SPÉCIFICATIONS ».

**NOTE** : Veuillez contacter un représentant commercial de Makita à propos du logiciel d'application.

## Modification du réglage des paramètres sur l'outil (mode de réglage sur place)

**REMARQUE** : Cette fonction est disponible par défaut. Si vous avez désactivé le mode de réglage sur place sur l'ordinateur, activez cette fonction au préalable. Reportez-vous au mode d'emploi du logiciel d'application « Paramètres des outils industriels Makita » pour savoir comment configurer.

**REMARQUE** : Si le mode de réglage sur place est désactivé, le réglage des paramètres sur l'outil n'est pas disponible. Lorsque vous appuyez sur le bouton de réglage, les valeurs réglées sur l'outil s'affichent en ordre.

Le numéro du réglage actuel s'affiche sur l'indicateur.

Chaque fois que vous appuyez sur le bouton de réglage, l'indicateur montre le niveau du couple, le degré de décélération, la plage de la durée de fonctionnement potentiel et « Ad ».

► Fig.7: 1. Bouton de réglage 2. Indicateur

Vous pouvez changer les réglages des paramètres suivants sur votre outil :

- Réglage d'arrêt automatique/Mode libre

Élément de réglage	Affichage sur l'indicateur	Description
Niveau du couple	01 - 40 FF OP	Le niveau de couple auquel le mode d'arrêt automatique du serrage fonctionne
Degré de décélération	L1 - L7 OP	La sensibilité du positionnement des vis ou boulons
Plage de la durée de fonctionnement potentiel	Lo : 0.1 - 9.9 Hi : 0.1 - 9.9 --	La durée la plus courte/la plus longue de la rotation lorsque vous continuez d'enclencher la gâchette.

**REMARQUE** : Si « OP » (mode d'arrêt automatique du desserrage) s'affiche sur l'indicateur, le réglage du niveau de couple et le réglage du degré de décélération ne sont pas disponibles. Dans ce cas, placez le mode sur le mode d'arrêt automatique du serrage, puis réglez le niveau du couple et le degré de décélération sur l'ordinateur avec le logiciel d'application « Paramètres des outils industriels Makita ».

## Changement du niveau de couple

Lorsque vous changez le niveau du couple de « 23 » à « 34 »

► Fig.8

1. Appuyez à plusieurs reprises sur le bouton de réglage jusqu'à ce que l'indicateur montre un numéro à 2 chiffres qui correspond au réglage actuel du niveau de couple.
2. Maintenez enfoncé le bouton de réglage jusqu'à ce que l'emplacement du nombre des dizaines se mette à clignoter.
3. Réglez l'emplacement du nombre des dizaines en appuyant brièvement sur le bouton de réglage. Chaque fois que vous appuyez sur le bouton de réglage, l'indicateur montre le nombre de « 0 » à « 4 » et « F » en cycle.
4. Maintenez enfoncé le bouton de réglage jusqu'à ce que l'emplacement du nombre des unités se mette à clignoter.
5. Réglez l'emplacement du nombre des unités en appuyant brièvement sur le bouton de réglage. Chaque fois que vous appuyez sur le bouton de réglage, l'indicateur montre le nombre de « 0 » à « 9 » et « F » en cycle.
6. Maintenez enfoncé le bouton de réglage pendant quelques secondes.

**NOTE :** Si vous n'êtes pas certain du niveau de couple qui convient à votre travail, réglez « FF » afin que l'outil fonctionne en mode libre.

**NOTE :** Si vous tapez « 00 », « FF » s'affiche à la place de « 00 ».

## Changement du degré de décélération

Lorsque vous changez le degré de décélération de L1 à L2

► Fig.9

1. Appuyez à plusieurs reprises sur le bouton de réglage jusqu'à ce que l'indicateur montre 2 caractères commençant par « L » suivi d'un nombre. Cela représente le réglage actuel du degré de décélération.
2. Maintenez enfoncé le bouton de réglage jusqu'à ce que l'indicateur se mette à clignoter.
3. Réglez le degré de décélération. Chaque fois que vous appuyez sur le bouton de réglage, l'indicateur montre « L1 » à « L7 » en cycle. Le plus faible degré de décélération est « L1 » et le plus élevé, « L7 ».
4. Maintenez enfoncé le bouton de réglage pendant quelques secondes.

## Modification de la plage de la durée de fonctionnement potentiel la plus courte

Lorsque vous changez la plage de la durée de fonctionnement potentiel la plus courte de 2.5 à 3.6

► Fig.10

1. Appuyez à plusieurs reprises sur le bouton de réglage jusqu'à ce que l'indicateur montre « Lo » et un nombre en alternance. Cela représente le réglage actuel de la plage de la durée de fonctionnement potentiel la plus courte.

2. Maintenez enfoncé le bouton de réglage jusqu'à ce que l'emplacement du nombre des unités se mette à clignoter.
3. Réglez l'emplacement du nombre des unités en appuyant brièvement sur le bouton de réglage. Chaque fois que vous appuyez sur le bouton de réglage, l'indicateur montre le nombre de « 0 » à « 9 » en cycle.
4. Maintenez enfoncé le bouton de réglage jusqu'à ce que l'emplacement du nombre des décimales se mette à clignoter.
5. Réglez l'emplacement du nombre des décimales en appuyant brièvement sur le bouton de réglage. Chaque fois que vous appuyez sur le bouton de réglage, l'indicateur montre le nombre de « 0 » à « 9 » en cycle.
6. Maintenez enfoncé le bouton de réglage pendant quelques secondes.

**NOTE :** Lorsque vous réglez une valeur plus petite que « 0.1 » pour la plage de la durée de fonctionnement potentiel la plus courte, l'indicateur indique « -.- » et la plage de la durée de fonctionnement potentiel la plus courte est désactivée. Pour saisir « -.- », réglez la valeur sur « 0.9 », puis appuyez sur le bouton de réglage lorsque l'emplacement du nombre des unités clignote.

## Modification de la plage de la durée de fonctionnement potentiel la plus longue

Lorsque vous changez la plage de la durée de fonctionnement potentiel la plus longue de 2.5 à 3.6

► Fig.11

1. Appuyez à plusieurs reprises sur le bouton de réglage jusqu'à ce que l'indicateur montre « Hl » et un nombre en alternance. Cela représente le réglage actuel de la plage de la durée de fonctionnement potentiel la plus longue.
2. Maintenez enfoncé le bouton de réglage jusqu'à ce que l'emplacement du nombre des unités se mette à clignoter.
3. Réglez l'emplacement du nombre des unités en appuyant brièvement sur le bouton de réglage. Chaque fois que vous appuyez sur le bouton de réglage, l'indicateur montre le nombre de « 0 » à « 9 » en cycle.
4. Maintenez enfoncé le bouton de réglage jusqu'à ce que l'emplacement du nombre des décimales se mette à clignoter.
5. Réglez l'emplacement du nombre des décimales en appuyant brièvement sur le bouton de réglage. Chaque fois que vous appuyez sur le bouton de réglage, l'indicateur montre le nombre de « 0 » à « 9 » en cycle.
6. Maintenez enfoncé le bouton de réglage pendant quelques secondes.

**NOTE :** Lorsque vous réglez une valeur plus grande que « 9.9 » pour la plage de la durée de fonctionnement potentiel la plus longue, l'indicateur indique « -.- » et la plage de la durée de fonctionnement potentiel la plus longue est désactivée. Pour saisir « -.- », réglez la valeur sur « 9.9 », puis appuyez sur le bouton de réglage lorsque l'emplacement du nombre des unités clignote.

## Mesure d'une opération réelle (Auto-diagnostic)

**REMARQUE :** Cette fonction est disponible par défaut. Si vous avez désactivé le mode de réglage sur place sur l'ordinateur, activez cette fonction au préalable. Reportez-vous au mode d'emploi du logiciel d'application « Paramètres des outils industriels Makita » pour savoir comment configurer.

Vous pouvez mesurer le niveau du couple et la durée de fonctionnement d'une opération réelle en faisant fonctionner l'outil. Le niveau de couple et la durée mesurés peuvent servir :

- À reproduire une technique de contrôle du couple d'un travailleur qualifié et ;
- De référence temporelle pour le réglage actuel de la plage de la durée de fonctionnement potentiel la plus courte/longue.

### Mesure du niveau du couple et de la durée de fonctionnement

1. Appuyez à plusieurs reprises sur le bouton de réglage jusqu'à ce que « Ad. » s'affiche sur l'indicateur.
2. Maintenez enfoncé le bouton de réglage jusqu'à ce que l'indicateur indique « Ch ».
3. Effectuez l'opération dont vous souhaitez mesurer la durée de fonctionnement.
  - Si vous avez configuré le niveau du couple, utilisez l'outil jusqu'à ce qu'il s'arrête dans le mode d'arrêt automatique du serrage.
  - Si vous n'avez pas configuré le niveau du couple (mode libre), faites fonctionner l'outil comme nécessaire.
4. Vérifiez le résultat mesuré. Appuyez sur le bouton de réglage une fois pour afficher le niveau de couple actuel, et appuyez une fois de plus pour afficher la durée de fonctionnement réelle. Chaque fois que vous appuyez sur le bouton de réglage, l'indicateur montre « Ch », le nombre du niveau de couple actuel et le nombre de la durée de fonctionnement réel en cycle.
5. Maintenez enfoncé le bouton de réglage pour quitter l'auto-diagnostic.

**NOTE :** Le mode d'arrêt automatique du serrage fonctionne même en auto-diagnostic. Si vous voulez mesurer le niveau du couple sans limitation, réglez le niveau du couple « FF » (mode libre) et effectuez les procédures ci-dessus.

**NOTE :** Si « - - » est affiché sur l'indicateur, l'impact n'a pas fonctionné ou le niveau du couple est supérieur à 40. Si « - - » s'affiche dans l'indicateur, la durée de fonctionnement a dépassé 9,9 secondes.

- Dans le cas où l'impact n'a pas fonctionné : Remesurez le niveau du couple avec une durée de fonctionnement potentiel plus longue.
- Dans le cas où le niveau du couple est supérieur à 40 : L'outil ne peut pas mesurer le niveau du couple. Utilisez l'outil avec une plage de couple supérieure si disponible.
- Dans le cas où la durée de fonctionnement a dépassé 9,9 secondes, la plage de la durée de fonctionnement potentiel n'est pas disponible.

Exemple de mesure :

Si vous configurez le réglage suivant, vous pouvez lire le statut de l'outil.

Cas 1

Élément de réglage	Réglage de l'outil	Résultat mesuré	Diagnostic
Niveau du couple	23	20	L'outil s'est arrêté suite au réglage de la plage de la durée de fonctionnement potentiel la plus longue (3,5 secondes) avant d'atteindre le réglage du mode d'arrêt automatique du serrage (niveau de couple 23).
Plage de la durée de fonctionnement potentiel	la plus courte : 2,5 secondes la plus longue : 3,5 secondes	3,5	

Cas 2

Élément de réglage	Réglage de l'outil	Résultat mesuré	Diagnostic
Niveau du couple	23	23	L'outil s'est arrêté suite au réglage du mode d'arrêt automatique du serrage (niveau de couple 23) avant d'atteindre le réglage de la plage de la durée de fonctionnement potentiel la plus longue (3,5 secondes).
Plage de la durée de fonctionnement potentiel	la plus courte : 2,5 secondes la plus longue : 3,5 secondes	3	

## Témoïn DEL/avertisseur sonore

► Fig.12: 1. Témoïn DEL

Le témoïn DEL/l'avertisseur sonore sur l'outil indique les fonctions suivantes.

Alarme N°	Fonction	État de l'outil	État du témoïn DEL/de l'avertisseur sonore		Mesure à prendre
			Témoïn DEL	Avertisseur sonore	
E0	Erreur d'insertion de la batterie	Si la batterie est insérée avec la gâchette enclenchée, l'outil s'arrête pour éviter un démarrage intempestif.	Clignote alternativement en rouge et en vert.	Série de longs signaux sonores	Installez la batterie avec la gâchette relâchée.
E1	Arrêt automatique	La puissance de la batterie a diminué et le moment est venu de changer la batterie.	Clignote alternativement en rouge et en vert.	Série de longs signaux sonores	Remplacez la batterie par une autre complètement chargée.
E2	Anti-réinitialisation du contrôleur	Une baisse anormale de tension est survenue sur la batterie pour une raison quelconque et l'outil s'est arrêté.	Clignote alternativement en rouge et en vert.	Série de longs signaux sonores	Remplacez la batterie par une autre complètement chargée.
E3	Arrêt automatique en cas de faible charge restante de la batterie	La batterie est presque complètement épuisée et l'outil s'est arrêté.	S'allume en rouge.	Long signal sonore	Remplacez la batterie par une autre complètement chargée.
E4	Protection contre la surcharge	Surcharge et arrêt de l'outil.	Clignote alternativement en rouge et en vert.	Série de longs signaux sonores	Éliminez la cause de la surcharge, puis redémarrez l'outil. Confiez la réparation à votre centre d'entretien local Makita.
E5	Protection contre la surchauffe	Le contrôleur de l'outil a présenté une surchauffe anormale et l'outil s'est arrêté.	Clignote rapidement en rouge.	Série de longs signaux sonores	Retirez immédiatement la batterie et laissez refroidir l'outil.
E6	Verrouillage du moteur	Le moteur a été verrouillé. À ce moment précis, l'outil ne fonctionne pas.	Clignote alternativement en rouge et en vert.	Série de longs signaux sonores	Relâchez la gâchette, puis enclenchez-la à nouveau.
E7	Défaillance du moteur	L'outil a détecté une défaillance du moteur. À ce moment précis, l'outil ne fonctionne pas.	Clignote alternativement en rouge et en vert.	Série de longs signaux sonores	Confiez la réparation à votre centre d'entretien local Makita.
E8	Défaillance de l'interrupteur	L'outil a détecté une défaillance de l'interrupteur.	Clignote alternativement en rouge et en vert.	Série de longs signaux sonores	Confiez la réparation à votre centre d'entretien local Makita.
E9	Alarme pour une longue période d'utilisation	L'outil est allumé depuis longtemps (environ 3 minutes).	Clignote alternativement en rouge et en vert.	Long signal sonore	Relâchez la gâchette, puis enclenchez-la à nouveau.
-	Arrêt automatique en fin de serrage	Le couple de serrage pré-réglé a été obtenu et l'outil s'est arrêté.	S'allume en vert pendant environ une seconde.	-	-

Alarme N°	Fonction	État de l'outil	État du témoin DEL/de l'avertisseur sonore		Mesure à prendre
			Témoin DEL	Avertisseur sonore	
-	Alarme pour serrage insuffisant	Le couple de serrage pré réglé n'a pas été obtenu, car la gâchette a été relâchée avant de terminer le serrage.	S'allume en vert pendant environ une seconde.	Long signal sonore	Resserrez la vis ou le boulon.
-	Alarme pour limite de la capacité de serrage	-	Clignote rapidement en rouge.	Série de longs signaux sonores	Remplacez la batterie par une autre complètement chargée.
-	Alarme pour l'entretien	Le nombre de vissages ou boulonnages prédéfini pour la maintenance est atteint.	Clignote en jaune.	-	Réinitialisez l'alarme avec le logiciel d'application.
-	Alarme pour absence de communication avec l'ordinateur	Pas de communication de données alors que l'outil est connecté à l'ordinateur.	Clignote en jaune.	-	Redémarrez le logiciel d'application et rebranchez le câble USB.
-	Indication que l'outil peut communiquer avec l'ordinateur	L'outil est connecté à l'ordinateur et peut communiquer avec.	Clignote en vert.	-	-
-	Vérifiez la lampe et l'avertisseur sonore (lorsque la batterie est installée)	L'outil exécute le test de fonctionnement pour le témoin DEL (vert/rouge), la lumière et l'avertisseur sonore.	Le témoin DEL s'allume en vert, puis en rouge. Après quoi, la lumière reste allumée pendant un certain temps.	Série de très courts signaux sonores	-

## ASSEMBLAGE

**⚠ ATTENTION** : Assurez-vous toujours que l'outil est hors tension et que sa batterie est retirée avant d'effectuer toute tâche dessus.

### Sélection de la bonne douille à choc

Utilisez toujours une douille à choc de taille correcte pour les boulons et les écrous. Une douille à choc de taille incorrecte entraînera un couple de serrage imprécis et inégal et/ou endommagera le boulon ou l'écrou.

### Pose ou dépose de la douille à choc

#### Accessoire en option

**⚠ ATTENTION** : Assurez-vous que la douille à choc et la section de montage ne sont pas endommagées avant de poser la douille à choc.

**⚠ ATTENTION** : Après avoir inséré la douille à choc, assurez-vous qu'elle est fermement fixée. Si vous arrivez à la retirer, ne l'utilisez pas.

**NOTE** : La manière d'installer la douille à choc dépend du type de carré conducteur sur l'outil.

## Outil avec ressort annulaire

### Pour les douilles à choc sans joint torique et tige

► Fig.13: 1. Douille à choc 2. Carré conducteur 3. Ressort annulaire

Poussez la douille à choc dans le carré conducteur jusqu'à ce qu'elle se verrouille en place.

Pour retirer la douille à choc, tirez simplement dessus.

### Pour les douilles à choc avec joint torique et tige

► Fig.14: 1. Douille à choc 2. Joint torique 3. Tige

Retirez le joint torique de la rainure de la douille à choc et retirez la tige de la douille à choc. Placez la douille à choc sur le carré conducteur en alignant le trou de la douille à choc avec celui du carré conducteur. Insérez la tige dans les trous alignés de la douille à choc et du carré conducteur. Puis, ramenez le joint torique à sa position d'origine dans la rainure de la douille à choc pour verrouiller la tige.

Pour retirer la douille à choc, procédez dans l'ordre inverse de l'installation.



## Outil avec goupille d'arrêt

- **Fig.15:** 1. Douille à choc 2. Orifice 3. Carré conducteur 4. Goupille d'arrêt

Alignez l'orifice sur le côté de la douille à choc sur la goupille d'arrêt du carré conducteur et enfoncez la douille à choc dans le carré conducteur jusqu'à ce qu'elle se verrouille en place. Tapez légèrement dessus si nécessaire.

Pour retirer la douille à choc, tirez simplement dessus. Si elle est difficile à retirer, enfoncez la goupille d'arrêt tout en tirant sur la douille à choc.

### Installation du crochet

#### Accessoire en option

Le crochet se révèle pratique pour accrocher l'outil. Installez le crochet sur les trous sur le corps de l'outil.

- **Fig.16:** 1. Crochet 2. Trou

## UTILISATION

**⚠ ATTENTION :** Insérez toujours la batterie à fond jusqu'à ce qu'elle se verrouille en place. Si le voyant rouge sur le dessus du bouton est visible, cela signifie qu'elle n'est pas bien verrouillée. Insérez-la complètement jusqu'à ce que le voyant rouge ne soit plus visible. Sinon, elle pourrait tomber accidentellement de l'outil, au risque de vous blesser ou de blesser quelqu'un se trouvant près de vous.

**⚠ ATTENTION :** Tenez l'outil fermement et placez la douille à choc sur le boulon ou l'écrou. Mettez l'outil en marche et serrez pendant la durée de serrage appropriée.

**⚠ ATTENTION :** Si l'outil fonctionne de façon continue jusqu'à ce que la batterie soit complètement déchargée, laissez-le reposer pendant 15 minutes avant de poursuivre le travail avec une batterie fraîchement rechargée.

**⚠ ATTENTION :** Une pression excessive sur l'outil n'accélérera pas le perçage. En fait, la pression excessive abîmera la pointe du foret, provoquera une baisse de rendement de l'outil et réduira sa durée de service.

**⚠ ATTENTION :** Immobilisez toujours les pièces à travailler dans un étau ou un dispositif de retenue similaire.

- **Fig.17**

Le couple de serrage correct peut varier en fonction du type ou de la dimension du boulon, du matériau de la pièce à fixer, etc.

**REMARQUE :** Lorsque vous fixez de petits boulons, réglez soigneusement la pression sur la gâchette de façon à ne pas endommager le boulon.

**REMARQUE :** Tenez l'outil de sorte qu'il pointe bien droit vers le boulon ou l'écrou.

**REMARQUE :** Un couple de serrage excessif peut abîmer le boulon, l'écrou ou la douille à choc. Avant de commencer le travail, effectuez toujours un test pour connaître la durée de serrage adéquate pour le boulon ou l'écrou.

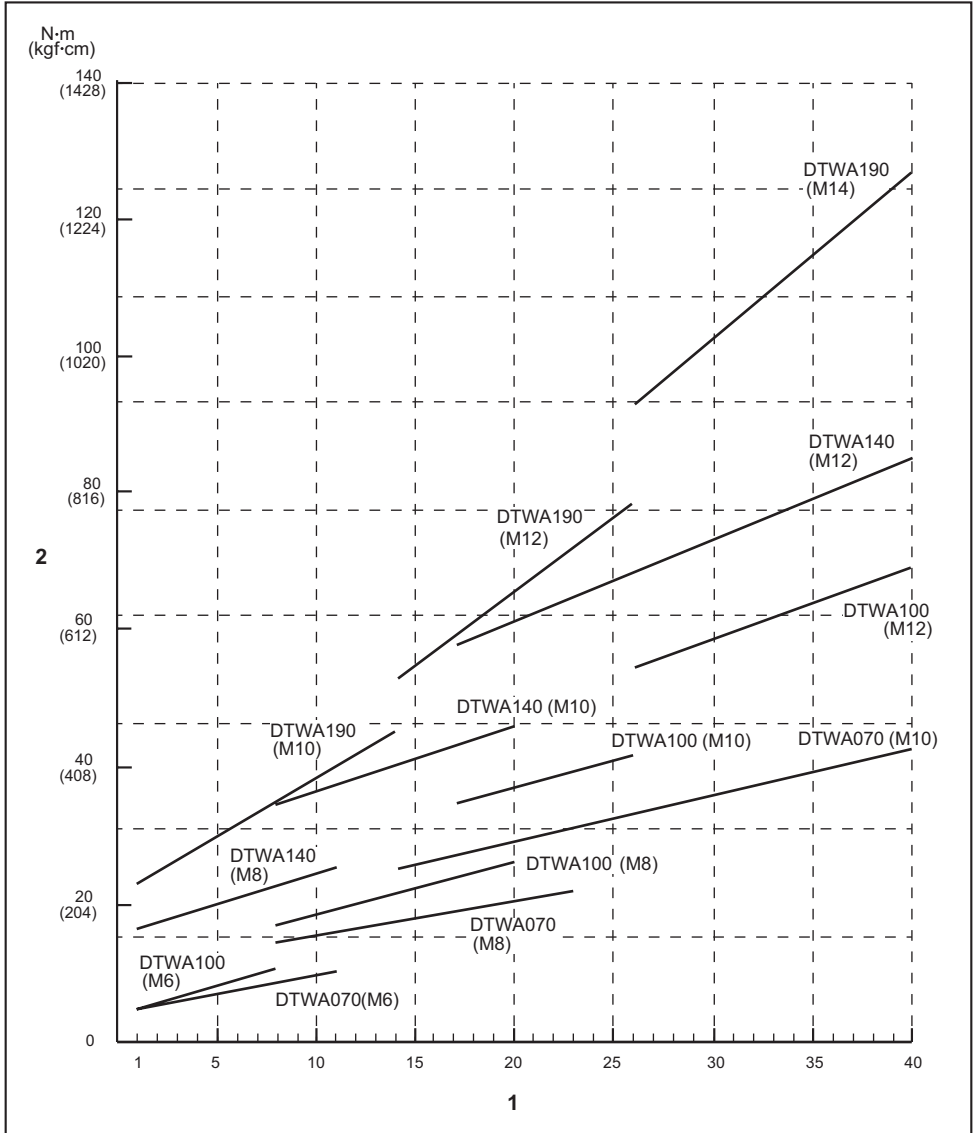
Le couple de serrage dépend d'un certain nombre de facteurs, comme suit. Une fois le serrage terminé, vérifiez toujours le couple avec une clé dynamométrique.

1. Lorsque la batterie est presque complètement déchargée, la tension tombe et le couple de serrage diminue.
2. Douille à choc
  - L'utilisation d'une douille à choc de taille incorrecte entraînera une réduction du couple de serrage.
  - Une douille à choc usée (usure sur l'extrémité hexagonale ou sur l'extrémité carrée) entraînera une réduction du couple de serrage.
3. Boulon
  - Même si le coefficient du couple et la catégorie du boulon sont les mêmes, le couple de serrage correct variera en fonction du diamètre de boulon.
  - Même si les diamètres des boulons sont les mêmes, le couple de serrage correct variera en fonction du coefficient de couple, de la catégorie du boulon et de la longueur du boulon.
4. L'utilisation d'un joint universel ou d'une barre de rallonge réduit quelque peu la force de serrage de la boulonneuse. Compensez en serrant plus longtemps.
5. Le couple de serrage est affecté par la façon dont vous tenez l'outil ou la pièce, ou par la position de vissage.
6. Le fonctionnement de l'outil à vitesse réduite entraîne une diminution du couple de serrage.

# Couple de serrage et niveau du couple

**NOTE :** Cette valeur de référence est mesurée dans les conditions de mesure spécifiées par Makita.

**NOTE :** La valeur réelle peut varier en fonction des circonstances des éléments de fixation, des matériaux et de la méthode de fixation. Effectuez un essai de vissage avant la tâche réelle.



1. Niveau du couple 2. Couple de serrage

# ENTRETIEN

**⚠ ATTENTION** : Assurez-vous toujours que l'outil est hors tension et que la batterie est retirée avant d'y effectuer tout travail d'inspection ou d'entretien.

**REMARQUE** : N'utilisez jamais d'essence, benzine, diluant, alcool ou autre produit similaire. Cela risquerait de provoquer la décoloration, la déformation ou la fissuration de l'outil.

Pour assurer la SÉCURITÉ et la FIABILITÉ du produit, toute réparation, tout travail d'entretien ou de réglage doivent être effectués par un centre d'entretien Makita agréé, avec des pièces de rechange Makita.

# ACCESSOIRES EN OPTION

**⚠ ATTENTION** : Ces accessoires ou pièces complémentaires sont recommandés pour l'utilisation avec l'outil Makita spécifié dans ce mode d'emploi. L'utilisation de tout autre accessoire ou pièce complémentaire peut comporter un risque de blessure. N'utilisez les accessoires ou pièces complémentaires qu'aux fins auxquelles ils ont été conçus.

Pour obtenir plus de détails sur ces accessoires, contactez votre centre d'entretien local Makita.

- Crochet
- Protecteur (bleu, rouge, jaune, vert, transparent)
- Protecteur de batterie pour BL1460A
- Protecteur de batterie pour BL1415NA
- Batterie et chargeur de marque Makita
- Câble USB

**NOTE** : Il se peut que certains éléments de la liste soient compris dans l'emballage de l'outil en tant qu'accessoires standard. Ils peuvent varier d'un pays à l'autre.

## TECHNISCHE DATEN

Modell:		DTWA070	DTWA100	DTWA140	DTWA190
Anzugskapazitäten	Standardschraube	M5 - M12		M6 - M16	M8 - M16
	HV-Schraube	M5 - M10		M6 - M12	M8 - M14
Maximales Anzugsmoment		65 N•m	95 N•m	140 N•m	185 N•m
Anzugsmomentbereich		Ca. 5 - 40 N•m	Ca. 6 - 65 N•m	Ca. 18 - 80 N•m	Ca. 25 - 125 N•m
Antriebsvierkant		9,5 mm		12,7 mm	
Leerlaufdrehzahl (U/min)		0 - 2.500 min <sup>-1</sup>	0 - 2.700 min <sup>-1</sup>		0 - 2.600 min <sup>-1</sup>
Schlagzahl pro Minute		0 - 3.700 min <sup>-1</sup>	0 - 3.300 min <sup>-1</sup>		0 - 3.000 min <sup>-1</sup>
Gesamtlänge		144 mm	151 mm	158 mm	
Nennspannung		14,4 V Gleichstrom			
Nettogewicht		1,1 - 1,4 kg	1,2 - 1,4 kg	1,2 - 1,5 kg	1,3 - 1,6 kg
Geeignetes USB-Kabel		661432-2			

- Wir behalten uns vor, Änderungen der technischen Daten im Zuge der Entwicklung und des technischen Fortschritts ohne vorherige Ankündigung vorzunehmen.
- Die technischen Daten können von Land zu Land unterschiedlich sein.
- Das Gewicht kann abhängig von dem Aufsatz (den Aufsätzen), einschließlich des Akkus, unterschiedlich sein. Die leichteste und die schwerste Kombination, gemäß dem EPTA-Verfahren 01/2014, sind in der Tabelle angegeben.

## Zutreffende Akkus und Ladegeräte

Akku	BL1415N / BL1415NA / BL1430B / BL1440 / BL1460A / BL1460B
Ladegerät	DC18RC / DC18RD / DC18RE / DC18SD / DC18SE / DC18SF / DC18SH

- Einige der oben aufgelisteten Akkus und Ladegeräte sind je nach Ihrem Wohngebiet eventuell nicht erhältlich.

**⚠️ WARNUNG:** Verwenden Sie nur die oben aufgeführten Akkus und Ladegeräte. Bei Verwendung irgendwelcher anderer Akkus und Ladegeräte besteht Verletzungs- und/oder Brandgefahr.

## Vorgesehene Verwendung

Das Werkzeug ist für das Anziehen von Schrauben und Muttern vorgesehen.

## Geräusch

Typischer A-bewerteter Geräuschpegel ermittelt gemäß EN62841-2-2:

### Modell DTWA070

Schalldruckpegel ( $L_{pA}$ ): 92 dB (A)  
 Schallleistungspegel ( $L_{WA}$ ): 103 dB (A)  
 Messunsicherheit (K): 3 dB (A)

### Modell DTWA100

Schalldruckpegel ( $L_{pA}$ ): 93 dB (A)  
 Schallleistungspegel ( $L_{WA}$ ): 104 dB (A)  
 Messunsicherheit (K): 3 dB (A)

### Modell DTWA140

Schalldruckpegel ( $L_{pA}$ ): 96 dB (A)  
 Schallleistungspegel ( $L_{WA}$ ): 107 dB (A)  
 Messunsicherheit (K): 3 dB (A)

### Modell DTWA190

Schalldruckpegel ( $L_{pA}$ ): 95 dB (A)  
 Schallleistungspegel ( $L_{WA}$ ): 106 dB (A)  
 Messunsicherheit (K): 3 dB (A)

**HINWEIS:** Der (Die) angegebene(n) Schallemissionswert(e) wurde(n) im Einklang mit der Standardprüfmethode gemessen und kann (können) für den Vergleich zwischen Werkzeugen herangezogen werden.

**HINWEIS:** Der (Die) angegebene(n) Schallemissionswert(e) kann (können) auch für eine Vorbewertung des Gefährdungsgrads verwendet werden.

**⚠️ WARNUNG:** Einen Gehörschutz tragen.

**⚠️ WARNUNG:** Die Schallemission während der tatsächlichen Benutzung des Elektrowerkzeugs kann je nach der Benutzungsweise des Werkzeugs, und speziell je nach der Art des bearbeiteten Werkstücks, von dem (den) angegebenen Wert(en) abweichen.

**⚠️ WARNUNG:** Identifizieren Sie Sicherheitsmaßnahmen zum Schutz des Benutzers anhand einer Schätzung des Gefährdungsgrads unter den tatsächlichen Benutzungsbedingungen (unter Berücksichtigung aller Phasen des Arbeitszyklus, wie z. B. Ausschalt- und Leerlaufzeiten des Werkzeugs zusätzlich zur Betriebszeit).

## Schwingungen

Schwingungsgesamtwert (Drei-Achsen-Vektorsumme) ermittelt gemäß EN62841-2-2:

### Modell DTWA070

Arbeitsmodus: Schlagschrauben von Befestigungsteilen der maximalen Kapazität des Werkzeugs

Schwingungsemission ( $a_n$ ):  $9,0 \text{ m/s}^2$

Messunsicherheit (K):  $1,5 \text{ m/s}^2$

### Modell DTWA100

Arbeitsmodus: Schlagschrauben von Befestigungsteilen der maximalen Kapazität des Werkzeugs

Schwingungsemission ( $a_n$ ):  $8,5 \text{ m/s}^2$

Messunsicherheit (K):  $1,5 \text{ m/s}^2$

### Modell DTWA140

Arbeitsmodus: Schlagschrauben von Befestigungsteilen der maximalen Kapazität des Werkzeugs

Schwingungsemission ( $a_n$ ):  $10,0 \text{ m/s}^2$

Messunsicherheit (K):  $1,5 \text{ m/s}^2$

### Modell DTWA190

Arbeitsmodus: Schlagschrauben von Befestigungsteilen der maximalen Kapazität des Werkzeugs

Schwingungsemission ( $a_n$ ):  $10,5 \text{ m/s}^2$

Messunsicherheit (K):  $1,5 \text{ m/s}^2$

#### HINWEIS: Der (Die) angegebene(n)

Vibrationsgesamtwert(e) wurde(n) im Einklang mit der Standardprüfmethode gemessen und kann (können) für den Vergleich zwischen Werkzeugen herangezogen werden.

#### HINWEIS: Der (Die) angegebene(n)

Vibrationsgesamtwert(e) kann (können) auch für eine Vorbewertung des Gefährdungsgrads verwendet werden.

**⚠️ WARNUNG:** Die Vibrationsemission während der tatsächlichen Benutzung des Elektrowerkzeugs kann je nach der Benutzungsweise des Werkzeugs, und speziell je nach der Art des bearbeiteten Werkstücks, von dem (den) angegebenen Emissionswert(en) abweichen.

**⚠️ WARNUNG:** Identifizieren Sie Sicherheitsmaßnahmen zum Schutz des Benutzers anhand einer Schätzung des Gefährdungsgrads unter den tatsächlichen Benutzungsbedingungen (unter Berücksichtigung aller Phasen des Arbeitszyklus, wie z. B. Ausschalt- und Leerlaufzeiten des Werkzeugs zusätzlich zur Betriebszeit).

## EG-Konformitätserklärung

### Nur für europäische Länder

Die EG-Konformitätserklärung ist als Anhang A in dieser Bedienungsanleitung enthalten.

## SICHERHEITSWARNUNGEN

### Allgemeine Sicherheitswarnungen für Elektrowerkzeuge

**⚠️ WARNUNG:** Lesen Sie alle mit diesem Elektrowerkzeug gelieferten Sicherheitswarnungen, Anweisungen, Abbildungen und technischen Daten durch. Eine Missachtung der unten aufgeführten Anweisungen kann zu einem elektrischen Schlag, Brand und/oder schweren Verletzungen führen.

### Bewahren Sie alle Warnungen und Anweisungen für spätere Bezugnahme auf.

Der Ausdruck „Elektrowerkzeug“ in den Warnhinweisen bezieht sich auf Ihr mit Netzstrom (mit Kabel) oder Akku (ohne Kabel) betriebenes Elektrowerkzeug.

### Sicherheitswarnungen für Akku-Schlagschrauber

1. Halten Sie das Elektrowerkzeug nur an den isolierten Griffflächen, wenn Sie Arbeiten ausführen, bei denen die Gefahr besteht, dass das Befestigungselement verborgene Kabel kontaktiert. Bei Kontakt mit einem Strom führenden Kabel können die freiliegenden Metallteile des Elektrowerkzeugs ebenfalls Strom führend werden, so dass der Benutzer einen elektrischen Schlag erleiden kann.
2. Tragen Sie Gehörschützer.
3. Überprüfen Sie den Schlagsteckschlüsseleinsatz vor der Montage sorgfältig auf Verschleiß, Risse oder Beschädigung.
4. Halten Sie das Werkzeug mit festem Griff.
5. Halten Sie Ihre Hände von rotierenden Teilen fern.
6. Berühren Sie den Schlagsteckschlüsseleinsatz, die Schraube, die Mutter oder das Werkstück nicht unmittelbar nach dem Arbeitsvorgang. Die Teile können sehr heiß sein und Hautverbrennungen verursachen.
7. Achten Sie stets auf sicheren Stand. Vergewissern Sie sich bei Einsatz des Werkzeugs an hochgelegenen Arbeitsplätzen, dass sich keine Personen darunter aufhalten.
8. Das korrekte Anzugsmoment kann je nach Art oder Größe der Schraube unterschiedlich sein. Überprüfen Sie das Anzugsmoment mit einem Drehmomentschlüssel.
9. Vergewissern Sie sich, dass keine Stromkabel, Wasserrohre, Gasrohre usw. vorhanden sind, die bei Beschädigung durch den Einsatz des Werkzeugs eine Gefahr darstellen können.

## DIESE ANWEISUNGEN AUFBEWAHREN.

**⚠️ WARNUNG:** Lassen Sie sich NICHT durch Bequemlichkeit oder Vertrautheit mit dem Produkt (durch wiederholten Gebrauch erworben) von der strikten Einhaltung der Sicherheitsregeln für das vorliegende Produkt abhalten.

**MISSBRAUCH oder Missachtung der Sicherheitsvorschriften in dieser Anleitung können schwere Verletzungen verursachen.**

## Wichtige Sicherheitsanweisungen für Akku

1. Lesen Sie vor der Benutzung des Akkus alle Anweisungen und Warnhinweise, die an (1) Ladegerät, (2) Akku und (3) Akkuwerkzeug angebracht sind.
2. Unterlassen Sie Zerlegen oder Manipulieren des Akkus. Es kann sonst zu einem Brand, übermäßiger Hitzeentwicklung oder einer Explosion kommen.
3. Falls die Betriebszeit beträchtlich kürzer geworden ist, stellen Sie den Betrieb sofort ein. Anderenfalls besteht die Gefahr von Überhitzung, möglichen Verbrennungen und sogar einer Explosion.
4. Falls Elektrolyt in Ihre Augen gelangt, waschen Sie sie mit sauberem Wasser aus, und begeben Sie sich unverzüglich in ärztliche Behandlung. Anderenfalls können Sie Ihre Sehkraft verlieren.
5. Der Akku darf nicht kurzgeschlossen werden:
  - (1) Die Kontakte dürfen nicht mit leitfähigem Material berührt werden.
  - (2) Lagern Sie den Akku nicht in einem Behälter zusammen mit anderen Metallgegenständen, wie z. B. Nägel, Münzen usw.
  - (3) Setzen Sie den Akku weder Wasser noch Regen aus.

Ein Kurzschluss des Akkus verursacht starken Stromfluss, der Überhitzung, mögliche Verbrennungen und einen Defekt zur Folge haben kann.
6. Lagern und benutzen Sie das Werkzeug und den Akku nicht an Orten, an denen die Temperatur 50 °C erreichen oder überschreiten kann.
7. Versuchen Sie niemals, den Akku zu verbrennen, selbst wenn er stark beschädigt oder vollkommen verbraucht ist. Der Akku kann im Feuer explodieren.
8. Unterlassen Sie Nageln, Schneiden, Zerquetschen, Werfen, Fallenlassen des Akkus oder Schlagen des Akkus mit einem harten Gegenstand. Eine solche Handlung kann zu einem Brand, übermäßiger Hitzeentwicklung oder einer Explosion führen.
9. Benutzen Sie keine beschädigten Akkus.
10. Die enthaltenen Lithium-Ionen-Akkus unterliegen den Anforderungen der Gefahrgut-Gesetzgebung. Für kommerzielle Transporte, z. B. durch Dritte oder Spediteure, müssen besondere Anforderungen zu Verpackung und Etikettierung beachtet werden. Zur Vorbereitung des zu transportierenden Artikels ist eine Beratung durch einen Experten für Gefahrgut erforderlich. Bitte beachten Sie möglicherweise ausführlichere nationale Vorschriften. Überkleben oder verdecken Sie offene Kontakte, und verpacken Sie den Akku so, dass er sich in der Verpackung nicht umher bewegen kann.

11. Entfernen Sie den Akku zum Entsorgen vom Werkzeug, und entsorgen Sie ihn an einem sicheren Ort. Befolgen Sie die örtlichen Vorschriften bezüglich der Entsorgung von Akkus.
12. Verwenden Sie die Akkus nur mit den von Makita angegebenen Produkten. Das Einsetzen der Akkus in nicht konforme Produkte kann zu einem Brand, übermäßiger Hitzebildung, einer Explosion oder Auslaufen von Elektrolyt führen.
13. Soll das Werkzeug längere Zeit nicht benutzt werden, muss der Akku vom Werkzeug entfernt werden.
14. Bei und nach dem Gebrauch kann der Akku heiß werden, was Verbrennungen oder Niedertemperaturverbrennungen verursachen kann. Beachten Sie die Handhabung von heißen Akkus.
15. Berühren Sie nicht den Anschlusskontakt des Werkzeugs unmittelbar nach dem Gebrauch, da er heiß genug werden kann, um Verbrennungen zu verursachen.
16. Achten Sie darauf, dass sich keine Späne, Staub oder Schmutz in den Anschlusskontakten, Löchern und Nuten des Akkus absetzen. Dies kann zu einer Leistungseinbuße oder Betriebsstörung des Werkzeugs oder des Akkus führen.
17. Wenn das Werkzeug den Einsatz in der Nähe einer Hochspannungs-Stromleitung nicht unterstützt, benutzen Sie den Akku nicht in der Nähe einer Hochspannungs-Stromleitung. Dies kann zu einer Funktionsstörung oder Betriebsstörung des Werkzeugs oder des Akkus führen.
18. Halten Sie die Batterie von Kindern fern.

## DIESE ANWEISUNGEN AUFBEWAHREN.

**⚠️ VORSICHT:** Verwenden Sie nur Original-Makita-Akkus. Die Verwendung von Nicht-Original-Makita-Akkus oder von Akkus, die abgeändert worden sind, kann zum Bersten des Akkus und daraus resultierenden Bränden, Personenschäden und Beschädigung führen. Außerdem wird dadurch die Makita-Garantie für das Makita-Werkzeug und -Ladegerät ungültig.

## Hinweise zur Aufrechterhaltung der maximalen Akku-Nutzungsdauer

1. Laden Sie den Akku, bevor er vollkommen erschöpft ist. Schalten Sie das Werkzeug stets aus, und laden Sie den Akku, wenn Sie ein Nachlassen der Werkzeugleistung feststellen.
2. Unterlassen Sie erneutes Laden eines voll aufgeladenen Akkus. Überladen führt zu einer Verkürzung der Nutzungsdauer des Akkus.
3. Laden Sie den Akku bei Raumtemperatur zwischen 10 – 40 °C. Lassen Sie einen heißen Akku abkühlen, bevor Sie ihn laden.
4. Wenn Sie den Akku nicht benutzen, nehmen Sie ihn vom Werkzeug oder Ladegerät ab.
5. Der Akku muss geladen werden, wenn er lange Zeit (länger als sechs Monate) nicht benutzt wird.

# FUNKTIONSBESCHREIBUNG

**⚠ VORSICHT:** Vergewissern Sie sich vor der Durchführung von Einstellungen oder Funktionsprüfungen des Werkzeugs stets, dass das Werkzeug ausgeschaltet und der Akku abgenommen ist.

## Anbringen und Abnehmen des Akkus

**⚠ VORSICHT:** Schalten Sie das Werkzeug stets aus, bevor Sie den Akku anbringen oder abnehmen.

**⚠ VORSICHT:** Halten Sie das Werkzeug und den Akku beim Anbringen oder Abnehmen des Akkus sicher fest. Wenn Sie das Werkzeug und den Akku nicht sicher festhalten, können sie Ihnen aus der Hand rutschen, was zu einer Beschädigung des Werkzeugs und des Akkus und zu Körperverletzungen führen kann.

► **Abb.1:** 1. Rote Anzeige 2. Knopf 3. Akku

Ziehen Sie den Akku zum Abnehmen vom Werkzeug ab, während Sie den Knopf an der Vorderseite des Akkus verschieben.

Richten Sie zum Anbringen des Akkus dessen Führungsfeder auf die Nut im Gehäuse aus, und schieben Sie den Akku hinein. Schieben Sie ihn vollständig ein, bis er mit einem leisen Klicken einrastet. Wenn Sie die rote Anzeige sehen können, wie in der Abbildung gezeigt, ist der Akku nicht vollständig verriegelt.

**⚠ VORSICHT:** Schieben Sie den Akku stets bis zum Anschlag ein, bis die rote Anzeige nicht mehr sichtbar ist. Anderenfalls kann er aus dem Werkzeug herausfallen und Sie oder umstehende Personen verletzen.

**⚠ VORSICHT:** Unterlassen Sie Gewaltanwendung beim Anbringen des Akkus. Falls der Akku nicht reibungslos hineingleitet, ist er nicht richtig ausgerichtet.

## Werkzeug/Akku-Schutzsystem

Das Werkzeug ist mit einem Werkzeug/Akku-Schutzsystem ausgestattet. Dieses System schaltet die Stromversorgung des Motors automatisch ab, um die Lebensdauer von Werkzeug und Akku zu verlängern. Das Werkzeug bleibt während des Betriebs automatisch stehen, wenn das Werkzeug oder der Akku einer der folgenden Bedingungen unterliegt:

### Überlastschutz

Wird der Akku auf eine Weise benutzt, die eine ungewöhnlich hohe Stromaufnahme bewirkt, bleibt das Werkzeug ohne jegliche Anzeige automatisch stehen. Schalten Sie in dieser Situation das Werkzeug aus, und brechen Sie die Arbeit ab, die eine Überlastung des Werkzeugs verursacht hat. Schalten Sie dann das Werkzeug wieder ein, um es neu zu starten.

## Überhitzungsschutz

Wenn das Werkzeug/der Akku überhitzt wird, bleibt das Werkzeug automatisch stehen. Lassen Sie das Werkzeug/den Akku in dieser Situation abkühlen, bevor Sie das Werkzeug wieder einschalten.

## Überentladungsschutz

Wenn die Akkukapazität unzureichend wird, bleibt das Werkzeug automatisch stehen. Nehmen Sie in diesem Fall den Akku vom Werkzeug ab, und laden Sie ihn auf.

## Prüfen der Akku-Restladung (BL1460A)

► **Abb.2:** 1. Anzeigelampen 2. Prüftaste

**HINWEIS:** Abhängig von den Benutzungsbedingungen und der Umgebungstemperatur kann die Anzeige geringfügig von der tatsächlichen Kapazität abweichen.

## Beim Laden

Zu Beginn des Ladevorgangs beginnt die erste (linke) Anzeigenleuchte zu flackern. Mit fortschreitendem Ladevorgang leuchten die andern Lampen nach und nach auf und zeigen den Ladezustand an.

**HINWEIS:** Falls die Anzeigelampe beim Laden nicht aufleuchtet oder flackert, ist der Akku möglicherweise defekt. Wenden Sie sich in diesem Fall an Ihr lokales Kundenzentrum.

## Im Gebrauch

Wenn das Werkzeug eingeschaltet wird, leuchten die Lampen auf, um die Akku-Restkapazität anzuzeigen. Wenn das Werkzeug ausgeschaltet wird, erlischt die Lampe nach ca. 5 Sekunden. Wenn Sie die Prüftaste bei ausgeschaltetem Werkzeug drücken, leuchten die Anzeigelampen ca. 5 Sekunden lang auf, um die Akkukapazität anzuzeigen. Falls die orangefarbene Lampe flackert, bleibt das Werkzeug wegen geringer Akku-Restkapazität stehen (Abschaltautomatik). Laden Sie in diesem Fall den Akku auf, oder verwenden Sie einen geladenen Akku. Wenn das Werkzeug mit einem längeren Zeit unbenutzten Akku verwendet und eingeschaltet wird, leuchten u. U. keine Lampen auf. In diesem Fall schaltet sich das Werkzeug wegen geringer Akku-Restkapazität aus. Laden Sie den Akku ordnungsgemäß auf.

## Schalterfunktion

► **Abb.3:** 1. Ein-Aus-Schalter

**⚠ VORSICHT:** Vergewissern Sie sich vor dem Einsetzen des Akkus in das Werkzeug stets, dass der Ein-Aus-Schalter ordnungsgemäß funktioniert und beim Loslassen in die AUS-Stellung zurückkehrt.

Drücken Sie zum Einschalten des Werkzeugs einfach den Ein-Aus-Schalter. Die Drehzahl erhöht sich durch verstärkte Druckausübung auf den Ein-Aus-Schalter. Lassen Sie den Ein-Aus-Schalter zum Anhalten los.

**HINWEIS:** Das Werkzeug bleibt automatisch stehen, wenn der Ein-Aus-Schalter etwa 3 Minuten lang betätigt wird.

## Einschalten der Frontlampe

► **Abb.4:** 1. Lampe

**⚠ VORSICHT:** Blicken Sie nicht direkt in die Lampe oder die Lichtquelle.

Betätigen Sie den Ein-Aus-Schalter, um die Lampe einzuschalten. Die Lampe bleibt erleuchtet, solange der Ein-Aus-Schalter gedrückt gehalten wird. Die Lampe erlischt ungefähr 10 Sekunden nach dem Loslassen des Ein-Aus-Schalters.

**HINWEIS:** Wischen Sie Schmutz auf der Lampenlinse mit einem trockenen Tuch ab. Achten Sie sorgfältig darauf, dass Sie die Lampenlinse nicht verkratzen, weil sich sonst die Lichtstärke verringert.

## Funktion des Drehrichtungsumschalters

► **Abb.5:** 1. Drehrichtungsumschalthebel

**⚠ VORSICHT:** Prüfen Sie stets die Drehrichtung, bevor Sie mit der Arbeit beginnen.

**⚠ VORSICHT:** Betätigen Sie den Drehrichtungsumschalter erst, nachdem das Werkzeug völlig zum Stillstand gekommen ist. Durch Umschalten der Drehrichtung bei noch laufendem Werkzeug kann das Werkzeug beschädigt werden.

**⚠ VORSICHT:** Stellen Sie den Drehrichtungsumschalthebel stets auf die Neutralstellung, wenn Sie das Werkzeug nicht benutzen.

Dieses Werkzeug besitzt einen Drehrichtungsumschalter. Drücken Sie auf die Seite A des Drehrichtungsumschalthebels für Rechtsdrehung, und auf die Seite B für Linksdrehung. In der Neutralstellung des Drehrichtungsumschalthebels ist der Ein-Aus-Schalter verriegelt.

## Ändern der Parametereinstellung am Werkzeug (Feldeinstellungsmodus)

**ANMERKUNG:** Diese Funktion ist standardmäßig verfügbar. Falls Sie den Feldeinstellungsmodus am Computer deaktiviert haben, aktivieren Sie diese Funktion vorher. Angaben zum Konfigurationsverfahren entnehmen Sie bitte der Gebrauchsanleitung von „Industriewerkzeug-Einstellungen“.

**ANMERKUNG:** Falls der Feldeinstellungsmodus deaktiviert ist, ist die Durchführung von Einstellungen am Werkzeug nicht verfügbar. Wenn Sie die Einstelltaste drücken, werden die am Werkzeug eingestellten Werte der Reihe nach angezeigt.

Die aktuelle Einstellungsnummer wird auf dem Indikator angezeigt.

Bei jedem Drücken der Einstelltaste, zeigt der Indikator abwechselnd Anzugsniveau, Auslaufniveau, Praktikabler Zeitbereich und „Ad.“ an.

► **Abb.7:** 1. Einstelltaste 2. Indikator

Sie können die folgenden Parametereinstellungen an Ihrem Werkzeug ändern:

- Auto-Stop-Einstellung/Freimodus

Einstellungsposten	Anzeige auf dem Indikator	Beschreibung
Anzugsniveau	01 - 40 FF OP	Das Anzugsniveau, bei dem der Anzugs-Auto-Stop-Modus funktioniert
Auslaufniveau	L1 - L7 OP	Die Empfindlichkeit für das Aufsitzen des Befestigungselements
Praktikabler Zeitbereich	Lo: 0.1 - 9.9 Hi: 0.1 - 9.9 --	Die kürzeste/längste Dauer der Drehung bei fortgesetzter Betätigung des Auslöseschalters

## Ändern der Parametereinstellung auf dem Computer

Mit der Anwendungssoftware „Industriewerkzeug-Einstellungen“ können Sie detaillierte Einstellungen des Werkzeugs konfigurieren. Installieren Sie die Anwendungssoftware auf dem Computer, und verbinden Sie das Werkzeug über ein USB-Kabel mit dem Computer.

Einzelheiten über die Konfiguration entnehmen Sie bitte der Gebrauchsanleitung von „Industriewerkzeug-Einstellungen“.

► **Abb.6:** 1. USB-Anschluss 2. USB-Abdeckung 3. USB-Kabel

**ANMERKUNG:** Vergewissern Sie sich, dass die USB-Abdeckung beim Anziehen geschlossen ist.

**HINWEIS:** Wenn der Drehrichtungsumschalthebel auf die Stellung für Drehung im Uhrzeigersinn gedrückt wird, zeigt die Anzeige die Einstellung von Drehung im Uhrzeigersinn an.

Wenn der Drehrichtungsumschalthebel auf die Stellung für Drehung entgegen dem Uhrzeigersinn gedrückt wird, zeigt die Anzeige die Einstellung von Drehung entgegen dem Uhrzeigersinn an.

**HINWEIS:** Verwenden Sie die voreingestellte Zahl als Richtlinie. Um das Anzugsmoment beizubehalten, ändert sich die Schlagzahl automatisch entsprechend der Akku-Restkapazität.

**HINWEIS:** Verwenden Sie das Original-USB-Kabel von Makita, um Ihren Computer mit dem Werkzeug zu verbinden. Nehmen Sie auf den Abschnitt „TECHNISCHE DATEN“ Bezug.

**HINWEIS:** Bezüglich der Anwendungssoftware kontaktieren Sie bitte einen Makita-Verkaufsvertreter.



**ANMERKUNG:** Wenn „OP“ (Lockerungs-Auto-Stop-Modus) auf dem Indikator angezeigt wird, sind die Einstellungen für Anzugsniveau und Auslaufniveau nicht verfügbar. Aktivieren Sie in diesem Fall den Anzugs-Auto-Stop-Modus, und stellen Sie dann Anzugsniveau und Auslaufniveau mithilfe von „Industriewerkzeug-Einstellungen“ auf dem Computer ein.

## Ändern des Anzugsniveaus

### Zum Ändern des Anzugsniveaus von 23 auf 34

#### ► Abb.8

1. Drücken Sie die Einstelltaste mehrmals, bis der Indikator die 2-stellige Zahl anzeigt, die für die aktuelle Einstellung des Anzugsniveaus steht.
2. Halten Sie die Einstelltaste gedrückt, bis die Ziffer der Zehnerstelle zu blinken beginnt.
3. Stellen Sie die Ziffer der Zehnerstelle durch kurzes Drücken der Einstelltaste ein. Bei jedem Drücken der Einstelltaste zeigt der Indikator eine Ziffer von „0“ bis „4“ und „F“ in einem Zyklus an.
4. Halten Sie die Einstelltaste gedrückt, bis die Ziffer der Einerstelle zu blinken beginnt.
5. Stellen Sie die Ziffer der Einerstelle durch kurzes Drücken der Einstelltaste ein. Bei jedem Drücken der Einstelltaste zeigt der Indikator eine Ziffer von „0“ bis „9“ und „F“ in einem Zyklus an.
6. Halten Sie die Einstelltaste für ein paar Sekunden gedrückt.

**HINWEIS:** Wenn Sie nicht sicher sind, welches Anzugsniveau für Ihre Arbeit geeignet ist, wählen Sie „FF“, so dass das Werkzeug im Freimodus arbeitet.

**HINWEIS:** Wenn Sie „00“ eingeben, wird „FF“ anstatt „00“ angezeigt.

## Ändern des Auslaufniveaus

### Zum Ändern des Auslaufniveaus von L1 auf L2

#### ► Abb.9

1. Drücken Sie die Einstelltaste mehrmals, bis der Indikator 2 Zeichen beginnend mit „L“ und gefolgt von einer Ziffer anzeigt. Dies steht für die aktuelle Einstellung des Auslaufniveaus.
2. Halten Sie die Einstelltaste gedrückt, bis der Indikator zu blinken beginnt.
3. Stellen Sie das Auslaufniveau ein. Bei jedem Drücken der Einstelltaste zeigt der Indikator „L1“ bis „L7“ in einem Zyklus an. Das niedrigste Auslaufniveau ist „L1“, und „L7“ ist das höchste.
4. Halten Sie die Einstelltaste für ein paar Sekunden gedrückt.

## Ändern des kürzesten praktikablen Zeitbereichs

### Zum Ändern des kürzesten praktikablen Zeitbereichs von 2.5 auf 3.6

#### ► Abb.10

1. Drücken Sie die Einstelltaste mehrmals, bis der Indikator abwechselnd „Lo“ und die Ziffer anzeigt. Diese steht für die aktuelle Einstellung des kürzesten praktikablen Zeitbereichs.
2. Halten Sie die Einstelltaste gedrückt, bis die Ziffer der Einerstelle zu blinken beginnt.

3. Stellen Sie die Ziffer der Einerstelle durch kurzes Drücken der Einstelltaste ein. Bei jedem Drücken der Einstelltaste zeigt der Indikator eine Ziffer von „0“ bis „9“ in einem Zyklus an.
4. Halten Sie die Einstelltaste gedrückt, bis die Ziffer der Dezimalstelle zu blinken beginnt.
5. Stellen Sie die Ziffer der Dezimalstelle durch kurzes Drücken der Einstelltaste ein. Bei jedem Drücken der Einstelltaste zeigt der Indikator eine Ziffer von „0“ bis „9“ in einem Zyklus an.
6. Halten Sie die Einstelltaste für ein paar Sekunden gedrückt.

**HINWEIS:** Wenn Sie einen kleineren Wert als „0.1“ für den kürzesten praktikablen Zeitbereich einstellen, zeigt der Indikator „-“ an, und der kürzeste praktikable Zeitbereich wird deaktiviert. Um „-“ einzugeben, stellen Sie den Wert auf „0.9“ ein, und drücken Sie dann die Einstelltaste, wenn die Ziffer der Einerstelle blinkt.

## Ändern des längsten praktikablen Zeitbereichs

### Zum Ändern des längsten praktikablen Zeitbereichs von 2.5 auf 3.6

#### ► Abb.11

1. Drücken Sie die Einstelltaste mehrmals, bis der Indikator abwechselnd „Hl“ und die Ziffer anzeigt. Diese steht für die aktuelle Einstellung des längsten praktikablen Zeitbereichs.
2. Halten Sie die Einstelltaste gedrückt, bis die Ziffer der Einerstelle zu blinken beginnt.
3. Stellen Sie die Ziffer der Einerstelle durch kurzes Drücken der Einstelltaste ein. Bei jedem Drücken der Einstelltaste zeigt der Indikator eine Ziffer von „0“ bis „9“ in einem Zyklus an.
4. Halten Sie die Einstelltaste gedrückt, bis die Ziffer der Dezimalstelle zu blinken beginnt.
5. Stellen Sie die Ziffer der Dezimalstelle durch kurzes Drücken der Einstelltaste ein. Bei jedem Drücken der Einstelltaste zeigt der Indikator eine Ziffer von „0“ bis „9“ in einem Zyklus an.
6. Halten Sie die Einstelltaste für ein paar Sekunden gedrückt.

**HINWEIS:** Wenn Sie einen größeren Wert als „9.9“ für den längsten praktikablen Zeitbereich einstellen, zeigt der Indikator „-“ an, und der längste praktikable Zeitbereich wird deaktiviert. Um „-“ einzugeben, stellen Sie den Wert auf „9.9“ ein, und drücken Sie dann die Einstelltaste, wenn die Ziffer der Einerstelle blinkt.

## Messen eines tatsächlichen Vorgangs (Selbstdiagnose)

**ANMERKUNG:** Diese Funktion ist standardmäßig verfügbar. Falls Sie den Feldeinstellungsmodus am Computer deaktiviert haben, aktivieren Sie diese Funktion vorher. Angaben zum Konfigurationsverfahren entnehmen Sie bitte der Gebrauchsanleitung von „Industriewerkzeug-Einstellungen“.

Sie können das Anzugsniveau und die Betriebszeit eines tatsächlichen Vorgangs durch Betreiben des Werkzeugs messen. Das gemessene Anzugsniveau und die Zeit können für Folgendes verwendet werden:

- Reproduzieren einer Anzugsmoment-Steuertechnik eines erfahrenen Arbeiters und;
- Eine Zeitreferenz für die Einstellung des kürzesten/längsten praktikablen Zeitbereichs.

### Messen von Anzugsniveau und Betriebszeit

1. Drücken Sie die Einstelltaste mehrmals, bis „Ad.“ auf dem Indikator angezeigt wird.
2. Halten Sie die Einstelltaste gedrückt, bis der Indikator „Ch“ anzeigt.
3. Führen Sie den gewünschten Vorgang durch, um die Betriebszeit zu messen.
  - Wenn Sie das Anzugsniveau konfiguriert haben, betätigen Sie das Werkzeug, bis es im Anzugs-Auto-Stop-Modus stehen bleibt.
  - Wenn Sie das Anzugsniveau nicht konfiguriert haben (Freimodus), betätigen Sie das Werkzeug nach Bedarf.
4. Überprüfen Sie das Messergebnis. Drücken Sie die Einstelltaste einmal, um das tatsächliche Anzugsniveau anzuzeigen, und drücken Sie sie noch einmal, um die tatsächliche Betriebszeit anzuzeigen. Bei jedem Drücken der Einstelltaste zeigt der Indikator „Ch“, die Zahl des tatsächlichen Anzugsniveaus und die Zahl der tatsächlichen Betriebszeit in einem Zyklus an.
5. Halten Sie die Einstelltaste gedrückt, um die Selbstdiagnose zu beenden.

**HINWEIS:** Der Anzugs-Auto-Stop-Modus funktioniert auch bei der Selbstdiagnose. Wenn Sie das Anzugsniveau ohne Einschränkung messen wollen, wählen Sie das Anzugsniveau „FF“ (Freimodus), und führen Sie die obigen Verfahren durch.

**HINWEIS:** Falls „-“ auf dem Indikator angezeigt wird, hat der Schlagbetrieb nicht funktioniert, oder das Anzugsniveau ist höher als 40. Falls „.-“ auf dem Indikator angezeigt wird, hat die Betriebszeit 9,9 Sekunden überschritten.

- Falls der Schlagbetrieb nicht funktioniert hat: Messen Sie das Anzugsniveau erneut mit einer längeren praktikablen Zeit.
- Falls das Anzugsniveau höher als 40 ist: Das Werkzeug kann das Anzugsniveau nicht messen. Verwenden Sie das Werkzeug mit einem höheren Anzugsmomentbereich, falls verfügbar.
- Falls die Betriebszeit 9,9 Sekunden überschritten hat, ist der praktikable Zeitbereich nicht verfügbar.

Messungsbeispiel:

Wenn Sie die folgende Einstellung konfigurieren, können Sie den Werkzeugstatus ablesen.

Fall 1

Einstellungsposten	Werkzeugeinstellung	Messergebnis	Diagnose
Anzugsniveau	23	20	Das Werkzeug ist durch die Einstellung des längsten praktikablen Zeitbereichs (3,5 Sek.) stehen geblieben, bevor es die Einstellung des Anzugs-Auto-Stop-Modus (Anzugsniveau 23) erreicht.
Praktikabler Zeitbereich	kürzester: 2,5 Sek. längster: 3,5 Sek.	3,5	

Fall 2

Einstellungsposten	Werkzeugeinstellung	Messergebnis	Diagnose
Anzugsniveau	23	23	Das Werkzeug ist durch den Anzugs-Auto-Stop-Modus (Anzugsniveau 23) stehen geblieben, bevor es die Einstellung des längsten praktikablen Zeitbereichs (3,5 Sek.) erreicht.
Praktikabler Zeitbereich	kürzester: 2,5 Sek. längster: 3,5 Sek.	3	

► **Abb.12: 1. LED-Anzeige**

LED-Anzeige/Summer am Werkzeug zeigen die folgenden Funktionen an.

Alarm-Nr.	Funktion	Status des Werkzeugs	Status von LED-Anzeige/Summer		Zu ergreifende Maßnahme
			LED-Anzeige	Summer	
E0	Akku-Installationsfehler	Wird der Akku bei betätigtem Auslöseschalter eingesetzt, bleibt das Werkzeug stehen, um unbeabsichtigten Start zu vermeiden.	Blinkt abwechselnd in Rot und Grün.	Eine Folge langer Pieptöne	Setzen Sie den Akku bei freigegebenem Auslöseschalter ein.
E1	Auto-Stop	Der Akku wurde schwach, und es ist an der Zeit, den Akku auszutauschen.	Blinkt abwechselnd in Rot und Grün.	Eine Folge langer Pieptöne	Ersetzen Sie den Akku durch einen voll geladenen.
E2	Anti-Rückstellung des Steuergerätes	Die Akkuspannung ist aus irgendeinem Grund anormal abgefallen, und das Werkzeug ist stehen geblieben.	Blinkt abwechselnd in Rot und Grün.	Eine Folge langer Pieptöne	Ersetzen Sie den Akku durch einen voll geladenen.
E3	Auto-Stop bei niedriger Akku-Restkapazität	Der Akku ist nahezu erschöpft, und das Werkzeug ist stehen geblieben.	Leuchtet in Rot auf.	Ein langer Piepton	Ersetzen Sie den Akku durch einen voll geladenen.
E4	Überlastschutz	Das Werkzeug wurde überlastet und ist stehen geblieben.	Blinkt abwechselnd in Rot und Grün.	Eine Folge langer Pieptöne	Beseitigen Sie die Ursache der Überlastung, und starten Sie dann das Werkzeug neu. Wenden Sie sich bezüglich einer Reparatur an Ihre örtliche Makita-Kundendienststelle.
E5	Überhitzungsschutz	Das Steuergerät des Werkzeugs hat sich anormal erhitzt, und das Werkzeug ist stehen geblieben.	Blinkt schnell in Rot.	Eine Folge langer Pieptöne	Nehmen Sie den Akku sofort ab, und lassen Sie das Werkzeug abkühlen.
E6	Motorblockierung	Der Motor ist blockiert worden. Zu diesem Zeitpunkt funktioniert das Werkzeug nicht.	Blinkt abwechselnd in Rot und Grün.	Eine Folge langer Pieptöne	Lassen Sie den Auslöseschalter los, und betätigen Sie ihn erneut.
E7	Motorstörung	Das Werkzeug hat eine Motorstörung erkannt. Zu diesem Zeitpunkt funktioniert das Werkzeug nicht.	Blinkt abwechselnd in Rot und Grün.	Eine Folge langer Pieptöne	Wenden Sie sich bezüglich einer Reparatur an Ihre örtliche Makita-Kundendienststelle.
E8	Schalterstörung	Das Werkzeug hat eine Schalterstörung erkannt.	Blinkt abwechselnd in Rot und Grün.	Eine Folge langer Pieptöne	Wenden Sie sich bezüglich einer Reparatur an Ihre örtliche Makita-Kundendienststelle.
E9	Alarm für lange Benutzungsdauer	Das Werkzeug ist lange Zeit eingeschaltet (ca. 3 Minuten).	Blinkt abwechselnd in Rot und Grün.	Ein langer Piepton	Lassen Sie den Auslöseschalter los, und betätigen Sie ihn erneut.
-	Auto-Stop bei Befestigungsvollendung	Das voreingestellte Anzugsmoment ist erreicht worden, und das Werkzeug ist stehen geblieben.	Leuchtet für ungefähr eine Sekunde in Grün auf.	-	-
-	Alarm für unzureichende Befestigung	Das voreingestellte Anzugsmoment ist nicht erreicht worden, weil der Auslöseschalter vor Vollendung der Befestigung losgelassen wurde.	Leuchtet für ungefähr eine Sekunde in Grün auf.	Ein langer Piepton	Ziehen Sie das Befestigungselement nach.

Alarm-Nr.	Funktion	Status des Werkzeugs	Status von LED-Anzeige/Summer		Zu ergreifende Maßnahme
			LED-Anzeige	Summer	
-	Alarm für Grenze der Anzugskapazität	-	Blinkt schnell in Rot.	Eine Folge langer Pieptöne	Ersetzen Sie den Akku durch einen voll geladenen.
-	Wartungsalarm	Die Anzahl der Schraubvorgänge hat Ihre voreingestellte Anzahl für die Wartung erreicht.	Blinkt in Gelb.	-	Setzen Sie den Alarm mit der Anwendungssoftware zurück.
-	Alarm für Kommunikationsstörung mit dem PC	Es erfolgt keine Datenübertragung, während das Werkzeug mit dem PC verbunden ist.	Blinkt in Gelb.	-	Starten Sie die Anwendungssoftware neu, und schließen Sie das USB-Kabel wieder an.
-	Anzeige, dass das Werkzeug mit dem PC kommunizieren kann	Das Werkzeug ist mit dem PC verbunden und kann mit ihm kommunizieren.	Blinkt in Grün.	-	-
-	Überprüfen Sie die Lampe und den Summer (bei eingesetztem Akku).	Das Werkzeug führt den Betriebstest für die LED-Anzeige (grün/rot), die Lampe und den Summer durch.	Die LED-Anzeige leuchtet erst in Grün, dann in Rot auf. Danach leuchtet die Lampe für eine Weile.	Eine Folge sehr kurzer Pieptöne	-

## MONTAGE

**⚠ VORSICHT:** Vergewissern Sie sich vor der Ausführung von Arbeiten am Werkzeug stets, dass das Werkzeug ausgeschaltet und der Akku abgenommen ist.

### Wahl des korrekten Schlagsteckschlüsseinsatzes

Verwenden Sie stets einen passenden Schlagsteckschlüsseinsatz für die jeweiligen Schrauben und Muttern. Ein Schlagsteckschlüsseinsatz der falschen Größe bewirkt ein falsches und ungleichmäßiges Anzugsmoment und/oder Beschädigung der Schraube oder Mutter.

### Anbringen und Abnehmen des Schlagsteckschlüsseinsatzes

#### Sonderzubehör

**⚠ VORSICHT:** Vergewissern Sie sich vor der Anbringung des Schlagsteckschlüsseinsatzes, dass der Schlagsteckschlüsseinsatz und der Montageartikel nicht beschädigt sind.

**⚠ VORSICHT:** Vergewissern Sie sich nach dem Einführen des Schlagsteckschlüsseinsatzes, dass er einwandfrei gesichert ist. Verwenden Sie ihn nicht, falls er herausrutscht.

**HINWEIS:** Die Art und Weise der Installation des Schlagsteckschlüsseinsatzes hängt von der Art des Antriebsvierkants am Werkzeug ab.

## Werkzeug mit Ringfeder

### Für Schlagsteckschlüsseinsatz ohne O-Ring und Stift

► **Abb.13:** 1. Schlagsteckschlüsseinsatz 2. Antriebsvierkant 3. Ringfeder

Schieben Sie den Schlagsteckschlüsseinsatz auf den Antriebsvierkant, bis er einrastet.

Zum Abnehmen ziehen Sie den Schlagsteckschlüsseinsatz einfach ab.

### Für Schlagsteckschlüsseinsatz mit O-Ring und Stift

► **Abb.14:** 1. Schlagsteckschlüsseinsatz 2. O-Ring 3. Stift

Den O-Ring aus der Führungsnut im Schlagsteckschlüsseinsatz entfernen, und den Stift aus dem Schlagsteckschlüsseinsatz herausziehen. Den Schlagsteckschlüsseinsatz so auf den Antriebsvierkant setzen, dass die Bohrung im Schlagsteckschlüsseinsatz auf die Bohrung im Antriebsvierkant ausgerichtet ist.

Den Stift durch die Bohrung in Schlagsteckschlüsseinsatz und Antriebsvierkant einführen. Dann den O-Ring wieder in die Führungsnut des Schlagsteckschlüsseinsatzes einsetzen, um den Stift zu arretieren.

Zum Demontieren des Schlagsteckschlüsseinsatzes ist das Montageverfahren umgekehrt anzuwenden.

## Werkzeug mit Arretierstift

► **Abb.15:** 1. Schlagsteckschlüsseinsatz 2. Bohrung 3. Antriebsvierkant 4. Arretierstift

Richten Sie die Bohrung in der Seitenwand des Schlagsteckschlüsseinsatzes auf den Arretierstift des Antriebsvierkants aus, und schieben Sie den Schlagsteckschlüsseinsatz auf den Antriebsvierkant, bis er einrastet. Nötigenfalls leicht anklöpfen.

Zum Abnehmen ziehen Sie den Schlagsteckschlüsseinsatz einfach ab. Falls er schwer zu entfernen ist, drücken Sie den Arretierstift hinein, während Sie am Schlagsteckschlüsseinsatz ziehen.

## Montieren des Aufhängers

### Sonderzubehör

Der Aufhänger ist praktisch, um das Werkzeug aufzuhängen. Bringen Sie den Aufhänger in den Löchern am Werkzeuggehäuse an.

► **Abb.16:** 1. Aufhänger 2. Loch

## BETRIEB

**⚠ VORSICHT:** Führen Sie den Akku immer vollständig ein, bis er einrastet. Falls die rote Anzeige an der Oberseite des Knopfes sichtbar ist, ist der Akku nicht vollständig verriegelt. Schieben Sie ihn bis zum Anschlag ein, bis die rote Anzeige nicht mehr sichtbar ist. Anderenfalls kann er aus dem Werkzeug herausfallen und Sie oder umstehende Personen verletzen.

**⚠ VORSICHT:** Halten Sie das Werkzeug mit festem Griff, und setzen Sie den Schlagsteckschlüsseleinsatz auf die Schraube oder Mutter. Schalten Sie das Werkzeug ein, und ziehen Sie die Schraube oder Mutter mit der korrekten Anzugszeit an.

**⚠ VORSICHT:** Wenn das Werkzeug im Dauerbetrieb bis zur vollkommenen Entladung des Akkus benutzt wurde, lassen Sie das Werkzeug vor dem Fortsetzen des Betriebs mit einem frischen Akku 15 Minuten lang ruhen.

**⚠ VORSICHT:** Übermäßige Druckausübung auf das Werkzeug bewirkt keine Beschleunigung der Bohrleistung. Im Gegenteil; übermäßiger Druck führt zu einer Beschädigung der Spitze des Bohreinsatzes und damit zu einer Verringerung der Leistungsfähigkeit sowie zu einer Verkürzung der Lebensdauer des Werkzeugs.

**⚠ VORSICHT:** Spannen Sie Werkstücke stets in einen Schraubstock oder eine ähnliche Aufspannvorrichtung ein.

► **Abb.17**

Das korrekte Anzugsmoment hängt u. a. von der Art oder Größe der Schrauben oder der Art der zu verschraubenden Materialien ab.

**ANMERKUNG:** Üben Sie beim Anziehen von kleinen Schrauben vorsichtigen Druck auf den Auslöseschalter aus, damit die Schraube nicht beschädigt wird.

**ANMERKUNG:** Halten Sie das Werkzeug gerade auf die Schraube oder Mutter gerichtet.

**ANMERKUNG:** Ein zu hohes Anzugsmoment kann zu einer Beschädigung der Schraube/Mutter oder des Schlagsteckschlüsseleinsatzes führen. Führen Sie vor Arbeitsbeginn stets eine Probeverschraubung durch, um die geeignete Anzugszeit für die jeweilige Schraube oder Mutter zu ermitteln.

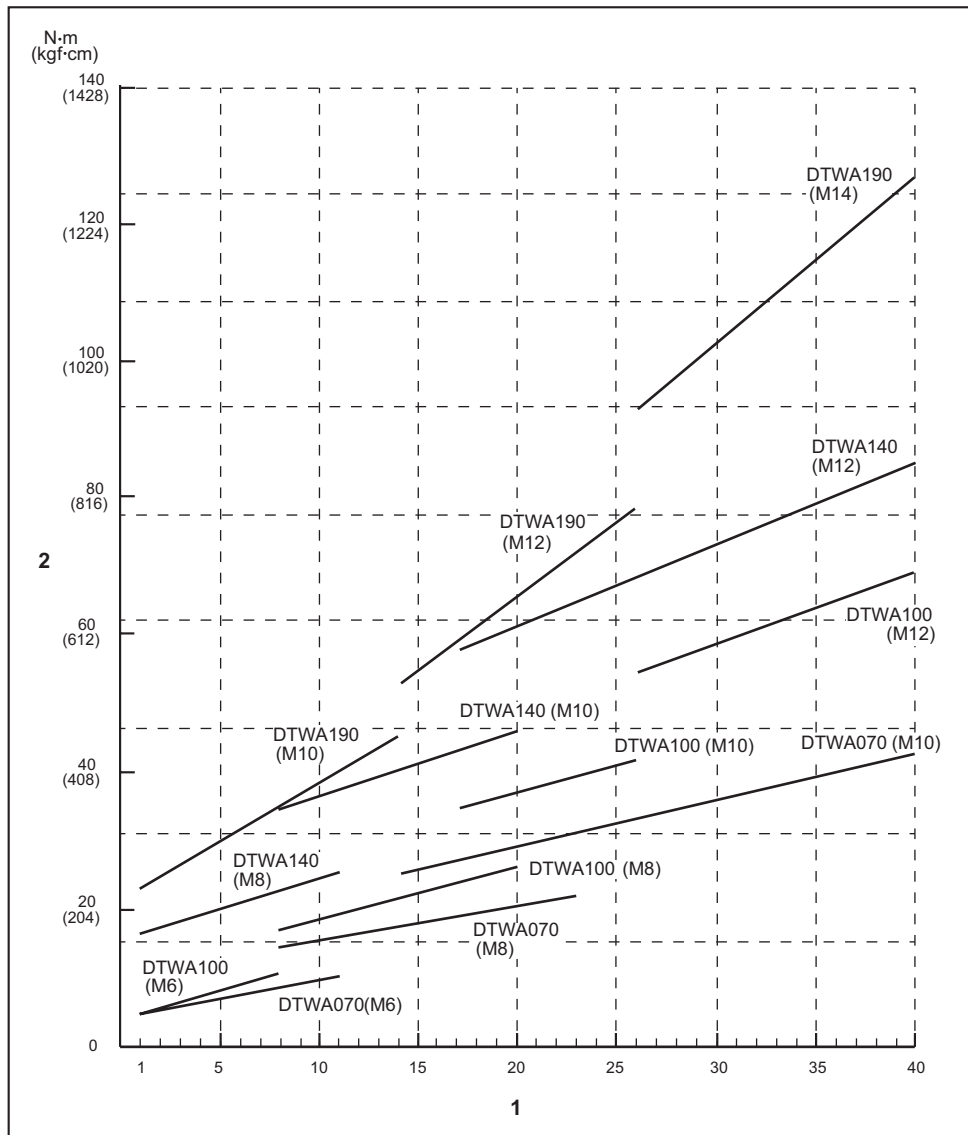
Das Anzugsmoment unterliegt einer Reihe von Einflüssen, einschließlich der folgenden. Überprüfen Sie das Anzugsmoment nach dem Anziehen stets mit einem Drehmomentschlüssel.

1. Wenn der Akku nahezu erschöpft ist, fällt die Spannung ab, und das Anzugsmoment verringert sich.
2. Schlagsteckschlüsseleinsatz
  - Die Verwendung eines Schlagsteckschlüsseleinsatzes der falschen Größe bewirkt eine Verringerung des Anzugsmoments.
  - Ein abgenutzter Schlagsteckschlüsseleinsatz (Verschleiß am Sechskant oder Vierkant) bewirkt eine Verringerung des Anzugsmoments.
3. Schraube
  - Selbst wenn der Drehmoment-Koeffizient und der Typ der Schraube gleich sind, ändert sich das korrekte Anzugsmoment je nach dem Durchmesser der Schraube.
  - Selbst wenn Schrauben den gleichen Durchmesser haben, ist das korrekte Anzugsmoment je nach Drehmoment-Koeffizient, Typ und Länge der Schraube unterschiedlich.
4. Die Verwendung des Kreuzgelenks oder der Verlängerungsstange verringert die Anzugskraft des Schlagschraubers ein wenig. Gleichen Sie dies durch eine längere Anzugszeit aus.
5. Die Art und Weise, wie das Werkzeug gehalten wird, oder das Material der Verschraubungsposition beeinflusst das Anzugsmoment.
6. Der Betrieb des Werkzeugs mit niedriger Drehzahl hat eine Reduzierung des Anzugsmoments zur Folge.

# Anzugsmoment und Anzugsniveau

**HINWEIS:** Dieser Referenzwert wird nach den von Makita angegebenen Messbedingungen gemessen.

**HINWEIS:** Der tatsächliche Wert kann je nach den Umständen der Befestigungselemente, der Materialien und der Befestigungsmethode unterschiedlich sein. Führen Sie vor der eigentlichen Arbeit eine Probeverschraubung durch.



1. Anzugsniveau 2. Anzugsmoment

## WARTUNG

**⚠ VORSICHT:** Vergewissern Sie sich vor der Durchführung von Inspektions- oder Wartungsarbeiten stets, dass das Werkzeug ausgeschaltet und der Akku abgenommen ist.

**ANMERKUNG:** Verwenden Sie auf keinen Fall Benzin, Waschbenzin, Verdünner, Alkohol oder dergleichen. Solche Mittel können Verfärbung, Verformung oder Rissbildung verursachen.

Um die SICHERHEIT und ZUVERLÄSSIGKEIT dieses Produkts zu gewährleisten, sollten Reparaturen und andere Wartungs- oder Einstellarbeiten nur von Makita-Vertragswerkstätten oder Makita-Kundendienstzentren unter ausschließlicher Verwendung von Makita-Originalersatzteilen ausgeführt werden.

## SONDERZUBEHÖR

**⚠ VORSICHT:** Die folgenden Zubehörteile oder Vorrichtungen werden für den Einsatz mit dem in dieser Anleitung beschriebenen Makita-Werkzeug empfohlen. Die Verwendung anderer Zubehörteile oder Vorrichtungen kann eine Verletzungsgefahr darstellen. Verwenden Sie Zubehörteile oder Vorrichtungen nur für ihren vorgesehenen Zweck.

Wenn Sie weitere Einzelheiten bezüglich dieser Zubehörteile benötigen, wenden Sie sich bitte an Ihre Makita-Kundendienststelle.

- Aufhänger
- Schutzhaube (blau, rot, gelb, grün, klar)
- Akkuschilder für BL1460A
- Akkuschilder für BL1415NA
- Original-Makita-Akku und -Ladegerät
- USB-Kabel

**HINWEIS:** Manche Teile in der Liste können als Standardzubehör im Werkzeugsatz enthalten sein. Sie können von Land zu Land unterschiedlich sein.

## DATI TECNICI

Modello:		DTWA070	DTWA100	DTWA140	DTWA190
Capacità di serraggio	Bullone standard	M5 - M12		M6 - M16	M8 - M16
	Bullone ad alta resistenza alla trazione	M5 - M10		M6 - M12	M8 - M14
Coppia di serraggio massima		65 N•m	95 N•m	140 N•m	185 N•m
Gamma di coppia		Da 5 a 40 N•m circa	Da 6 a 65 N•m circa	Da 18 a 80 N•m circa	Da 25 a 125 N•m circa
Trasmissione quadrata		9,5 mm		12,7 mm	
Velocità a vuoto (giri/min.)		0 - 2.500 min <sup>-1</sup>	0 - 2.700 min <sup>-1</sup>		0 - 2.600 min <sup>-1</sup>
Impulsi al minuto		0 - 3.700 min <sup>-1</sup>	0 - 3.300 min <sup>-1</sup>		0 - 3.000 min <sup>-1</sup>
Lunghezza complessiva		144 mm	151 mm	158 mm	
Tensione nominale		14,4 V C.C.			
Peso netto		Da 1,1 a 1,4 kg	Da 1,2 a 1,4 kg	Da 1,2 a 1,5 kg	Da 1,3 a 1,6 kg
Cavo USB applicabile		661432-2			

- A causa del nostro programma continuativo di ricerca e sviluppo, i dati tecnici sono soggetti a modifiche senza preavviso.
- I dati tecnici possono variare da nazione a nazione.
- Il peso può variare a seconda dell'accessorio o degli accessori, inclusa la cartuccia della batteria. La combinazione più leggera e quella più pesante, secondo la procedura EPTA 01/2014, sono indicate nella tabella.

### Cartuccia della batteria e caricabatterie applicabili

Cartuccia della batteria	BL1415N / BL1415NA / BL1430B / BL1440 / BL1460A / BL1460B
Caricabatterie	DC18RC / DC18RD / DC18RE / DC18SD / DC18SE / DC18SF / DC18SH

- Alcune cartucce delle batterie e alcuni caricabatterie elencati sopra potrebbero non essere disponibili a seconda della propria area geografica di residenza.

**⚠AVVERTIMENTO:** Utilizzare solo le cartucce delle batterie e i caricabatterie elencati sopra. L'utilizzo di altre cartucce delle batterie e di altri caricabatterie potrebbe causare lesioni personali e/o un incendio.

### Utilizzo previsto

Questo utensile è progettato per il serraggio di bulloni e dadi.

### Rumore

Livello tipico di rumore pesato A determinato in base allo standard EN62841-2-2:

#### Modello DTWA070

Livello di pressione sonora ( $L_{pA}$ ): 92 dB (A)  
 Livello di potenza sonora ( $L_{WA}$ ): 103 dB (A)  
 Incertezza (K): 3 dB (A)

#### Modello DTWA100

Livello di pressione sonora ( $L_{pA}$ ): 93 dB (A)  
 Livello di potenza sonora ( $L_{WA}$ ): 104 dB (A)  
 Incertezza (K): 3 dB (A)

#### Modello DTWA140

Livello di pressione sonora ( $L_{pA}$ ): 96 dB (A)  
 Livello di potenza sonora ( $L_{WA}$ ): 107 dB (A)  
 Incertezza (K): 3 dB (A)

#### Modello DTWA190

Livello di pressione sonora ( $L_{pA}$ ): 95 dB (A)  
 Livello di potenza sonora ( $L_{WA}$ ): 106 dB (A)  
 Incertezza (K): 3 dB (A)

**NOTA:** Il valore o i valori dichiarati delle emissioni di rumori sono stati misurati in conformità a un metodo standard di verifica, e possono essere utilizzati per confrontare un utensile con un altro.

**NOTA:** Il valore o i valori dichiarati delle emissioni di rumori possono venire utilizzati anche per una valutazione preliminare dell'esposizione.

**⚠AVVERTIMENTO:** Indossare protezioni per le orecchie.

**⚠AVVERTIMENTO:** L'emissione di rumori durante l'utilizzo effettivo dell'utensile elettrico può variare rispetto al valore o ai valori dichiarati, a seconda dei modi in cui viene utilizzato l'utensile e specialmente a seconda di che tipo di pezzo venga lavorato.

**⚠AVVERTIMENTO:** Accertarsi di identificare misure di sicurezza per la protezione dell'operatore che siano basate su una stima dell'esposizione nelle condizioni effettive di utilizzo (tenendo conto di tutte le parti del ciclo operativo, ad esempio del numero di spegnimenti dell'utensile e di quando giri a vuoto, oltre al tempo di attivazione).



## Vibrazioni

Valore totale delle vibrazioni (somma vettoriale triassiale) determinato in base allo standard EN62841-2-2:

### Modello DTWA070

Modalità di lavoro: serraggio a impulsi di elementi di fissaggio della capacità massima dell'utensile

Emissione di vibrazioni ( $a_h$ ): 9,0 m/s<sup>2</sup>

Incertezza (K): 1,5 m/s<sup>2</sup>

### Modello DTWA100

Modalità di lavoro: serraggio a impulsi di elementi di fissaggio della capacità massima dell'utensile

Emissione di vibrazioni ( $a_h$ ): 8,5 m/s<sup>2</sup>

Incertezza (K): 1,5 m/s<sup>2</sup>

### Modello DTWA140

Modalità di lavoro: serraggio a impulsi di elementi di fissaggio della capacità massima dell'utensile

Emissione di vibrazioni ( $a_h$ ): 10,0 m/s<sup>2</sup>

Incertezza (K): 1,5 m/s<sup>2</sup>

### Modello DTWA190

Modalità di lavoro: serraggio a impulsi di elementi di fissaggio della capacità massima dell'utensile

Emissione di vibrazioni ( $a_h$ ): 10,5 m/s<sup>2</sup>

Incertezza (K): 1,5 m/s<sup>2</sup>

**NOTA:** Il valore o i valori complessivi delle vibrazioni dichiarati sono stati misurati in conformità a un metodo standard di verifica, e possono essere utilizzati per confrontare un utensile con un altro.

**NOTA:** Il valore o i valori complessivi delle vibrazioni dichiarati possono venire utilizzati anche per una valutazione preliminare dell'esposizione.

**⚠ AVVERTIMENTO:** L'emissione delle vibrazioni durante l'utilizzo effettivo dell'utensile elettrico può variare rispetto al valore o ai valori dichiarati, a seconda dei modi in cui viene utilizzato l'utensile, specialmente a seconda di che tipo di pezzo venga lavorato.

**⚠ AVVERTIMENTO:** Accertarsi di identificare misure di sicurezza per la protezione dell'operatore che siano basate su una stima dell'esposizione nelle condizioni effettive di utilizzo (tenendo conto di tutte le parti del ciclo operativo, ad esempio del numero di spegnimenti dell'utensile e di quando giri a vuoto, oltre al tempo di attivazione).

## Dichiarazione di conformità CE

*Solo per i paesi europei*

La dichiarazione di conformità CE è inclusa nell'Allegato A al presente manuale di istruzioni.

## AVVERTENZE DI SICUREZZA

### Avvertenze generali relative alla sicurezza dell'utensile elettrico

**⚠ AVVERTIMENTO:** Leggere tutte le avvertenze di sicurezza, le istruzioni, le illustrazioni e i dati tecnici forniti con il presente utensile elettrico. La mancata osservanza di tutte le istruzioni elencate di seguito potrebbe risultare in scosse elettriche, incendi e/o gravi lesioni personali.

## Conservare tutte le avvertenze e le istruzioni come riferimento futuro.

Il termine "utensile elettrico" nelle avvertenze si riferisce sia all'utensile elettrico (cablato) nel funzionamento alimentato da rete elettrica che all'utensile elettrico (a batteria) nel funzionamento alimentato a batteria.

## Avvertenze per la sicurezza dell'avvitatrice ad impulso a batteria

- Tenere l'utensile elettrico per le sue superfici di impugnatura isolate, quando si intende eseguire un'operazione in cui un elemento di fissaggio potrebbe fare contatto con fili elettrici nascosti.** Gli elementi di fissaggio che fanno contatto con un filo elettrico sotto tensione potrebbero mettere sotto tensione le parti metalliche esposte dell'utensile elettrico, e potrebbero dare una scossa elettrica all'operatore.
- Indossare protezioni per le orecchie.**
- Prima dell'installazione, controllare con cura che la bussola a impatto non presenti segni di usura, spaccature o danni.**
- Tenere l'utensile ben fermo in mano.**
- Tenere le mani lontane dalle parti rotanti.**
- Non toccare la bussola a impatto, il bullone, il dado o il pezzo in lavorazione subito dopo l'uso.** La loro temperatura potrebbe essere estremamente elevata e potrebbero causare ustioni.
- Accertarsi sempre di appoggiare i piedi saldamente.** Quando si intende utilizzare l'utensile in posizioni elevate, accertarsi sempre che non sia presente alcuna persona sotto.
- La coppia di serraggio corretta potrebbe variare a seconda del tipo e delle dimensioni del bullone. Controllare la coppia con una chiave torсионometrica.**
- Accertarsi che non siano presenti cavi elettrici, tubi dell'acqua, tubi del gas, e così via, che potrebbero costituire un pericolo qualora venissero danneggiati dall'utilizzo dell'utensile.**

## CONSERVARE LE PRESENTI ISTRUZIONI.

**⚠ AVVERTIMENTO:** NON lasciare che la comodità o la familiarità d'uso con il prodotto (acquisita con l'uso ripetuto) sostituiscano la stretta osservanza delle norme di sicurezza.

L'USO IMPROPRIO o la mancata osservanza delle norme di sicurezza riportate nel presente manuale di istruzioni potrebbero causare lesioni personali gravi.

## Istruzioni di sicurezza importanti per la cartuccia della batteria

1. Prima di utilizzare la cartuccia della batteria, leggere tutte le istruzioni e le avvertenze riportate (1) sul caricabatteria, (2) sulla batteria e (3) sul prodotto che utilizza la batteria.
2. Non smantellare né manomettere la cartuccia della batteria. In caso contrario, si potrebbe causare un incendio, calore eccessivo o un'esplosione.
3. Qualora il tempo di utilizzo si riduca eccessivamente, interrompere immediatamente l'utilizzo dell'utensile. In caso contrario, si può incorrere nel rischio di surriscaldamento, possibili ustioni e persino un'esplosione.
4. Qualora l'elettrolita entri in contatto con gli occhi, sciacquarli con acqua pulita e richiedere immediatamente assistenza medica. Questa eventualità può risultare nella perdita della vista.
5. Non cortocircuitare la cartuccia della batteria:
  - (1) Non toccare i terminali con alcun materiale conduttivo.
  - (2) Evitare di conservare la cartuccia della batteria in un contenitore insieme ad altri oggetti metallici quali chiodi, monete, e così via.
  - (3) Non esporre la cartuccia della batteria all'acqua o alla pioggia.

Un cortocircuito della batteria può causare un grande flusso di corrente, un surriscaldamento, possibili ustioni e persino un guasto.

6. Non conservare e utilizzare l'utensile e la cartuccia della batteria in ubicazioni in cui la temperatura possa raggiungere o superare i 50°C.
7. Non incenerire la cartuccia della batteria anche qualora sia gravemente danneggiata o completamente esaurita. La cartuccia della batteria può esplodere se a contatto con il fuoco.
8. Non inchiodare, tagliare, schiacciare, lanciare o far cadere la cartuccia della batteria, né farla urtare con forza contro un oggetto duro. Questi comportamenti potrebbero risultare in un incendio, calore eccessivo o un'esplosione.
9. Non utilizzare una batteria danneggiata.
10. Le batterie a ioni di litio contenute sono soggette ai requisiti del regolamento sul trasporto di merci pericolose (Dangerous Goods Legislation).

Per trasporti commerciali, ad esempio da parte di terzi o spedizionieri, è necessario osservare dei requisiti speciali sull'imballaggio e sull'etichetta. Per la preparazione dell'articolo da spedire, è richiesta la consulenza di un esperto in materiali pericolosi. Attenersi anche alle normative nazionali, che potrebbero essere più dettagliate. Nasstrare o coprire i contatti aperti e imballare la batteria in modo tale che non si possa muovere liberamente all'interno dell'imballaggio.

11. Quando si intende smaltire la cartuccia della batteria, rimuoverla dall'utensile e smaltirla in un luogo sicuro. Attenersi alle normative locali relative allo smaltimento della batteria.

12. Utilizzare le batterie esclusivamente con i prodotti specificati da Makita. L'installazione delle batterie in prodotti non compatibili potrebbe risultare in incendi, calore eccessivo, esplosioni o perdite di liquido elettrolitico.
13. Se l'utensile non viene utilizzato per un periodo di tempo prolungato, la batteria deve essere rimossa dall'utensile.
14. Durante e dopo l'uso, la cartuccia della batteria potrebbe assorbire calore, che può causare ustioni o ustioni a bassa temperatura. Fare attenzione a come si maneggiano le cartucce delle batterie estremamente calde.
15. Non toccare i terminali dell'utensile subito dopo l'uso, in quanto potrebbero diventare estremamente caldi al punto da causare ustioni.
16. Evitare di far incastrare schegge, polveri o terreno nei terminali, nei fori e nelle scanalature della cartuccia della batteria. In caso contrario, si potrebbero causare prestazioni scadenti o la rottura dell'utensile o della cartuccia della batteria.
17. A meno che l'utensile supporti l'uso in prossimità di linee elettriche ad alta tensione, non utilizzare la cartuccia della batteria in prossimità di linee elettriche ad alta tensione. In caso contrario, si potrebbe causare un malfunzionamento o la rottura dell'utensile o della cartuccia della batteria.
18. Tenere la batteria lontana dai bambini.

## CONSERVARE LE PRESENTI ISTRUZIONI.

**ATTENZIONE:** Utilizzare solo batterie originali Makita. L'utilizzo di batterie Makita non originali, o di batterie che siano state alterate, potrebbe risultare nello scoppio della batteria, causando incendi, lesioni personali e danni. Inoltre, ciò potrebbe invalidare la garanzia Makita per l'utensile e il caricabatterie Makita.

## Suggerimenti per preservare la durata massima della batteria

1. Caricare la cartuccia della batteria prima che si scarichi completamente. Smettere sempre di utilizzare l'utensile e caricare la cartuccia della batteria quando si nota che la potenza dell'utensile è diminuita.
2. Non ricaricare mai una cartuccia della batteria completamente carica. La sovraccarica riduce la vita utile della batteria.
3. Caricare la cartuccia della batteria a una temperatura ambiente compresa tra 10 °C e 40 °C. Lasciar raffreddare una cartuccia della batteria prima di caricarla.
4. Quando non si utilizza la cartuccia della batteria, rimuoverla dall'utensile o dal caricabatterie.
5. Caricare la cartuccia della batteria se non la si è utilizzata per un periodo di tempo prolungato (più di sei mesi).

## DESCRIZIONE DELLE FUNZIONI

**⚠ATTENZIONE:** Accertarsi sempre che l'utensile sia spento e che la cartuccia della batteria sia stata rimossa prima di regolare o di controllare il funzionamento dell'utensile.

### Installazione o rimozione della cartuccia della batteria

**⚠ATTENZIONE:** Spegnerne sempre l'utensile prima di installare o rimuovere la cartuccia della batteria.

**⚠ATTENZIONE:** Mantenere saldamente lo strumento e la batteria quando si intende installare o rimuovere la cartuccia della batteria. Qualora non si mantengano saldamente lo strumento e la cartuccia della batteria, questi ultimi potrebbero scivolare dalle mani, con la possibilità di causare un danneggiamento dello strumento e della cartuccia della batteria, nonché una lesione personale.

► **Fig. 1:** 1. Indicatore rosso 2. Pulsante 3. Cartuccia della batteria

Per rimuovere la cartuccia della batteria, farla scorrere via dall'utensile mentre si fa scorrere allo stesso tempo il pulsante sulla parte anteriore della cartuccia.

Per installare la cartuccia della batteria, allineare la linguetta sulla cartuccia della batteria con la scanalatura nell'alloggiamento e farla scivolare in sede. Inserirla completamente fino al suo blocco in sede con un leggero scatto. Se è possibile vedere l'indicatore rosso, come indicato nella figura, non è bloccata completamente.

**⚠ATTENZIONE:** Installare sempre fino in fondo la cartuccia della batteria, fino a quando l'indicatore rosso non è più visibile. In caso contrario, la batteria potrebbe cadere accidentalmente dall'utensile, causando lesioni personali all'operatore o a chi gli è vicino.

**⚠ATTENZIONE:** Non installare forzatamente la cartuccia della batteria. Qualora la batteria non si inserisca scorrendo agevolmente, vuol dire che non viene inserita correttamente.

### Sistema di protezione strumento/batteria

L'utensile è dotato di un sistema di protezione dell'utensile stesso e della batteria. Tale sistema interrompe automaticamente l'alimentazione al motore per prolungare la vita utile dell'utensile e della batteria. L'utensile si arresta automaticamente durante il funzionamento, qualora l'utensile o la batteria vengano a trovarsi in una delle condizioni seguenti:

### Protezione dal sovraccarico

Quando la batteria viene utilizzata in modo tale da causare un assorbimento di corrente elevato in modo anormale, l'utensile si arresta automaticamente senza alcuna indicazione. In questa situazione, spegnere l'utensile e interrompere l'applicazione che ha fatto sovraccaricare l'utensile. Quindi, accendere l'utensile per ricominciare.

### Protezione dal surriscaldamento

Quando l'utensile o la batteria sono surriscaldati, l'utensile si arresta automaticamente. In questa situazione, lasciar raffreddare l'utensile o la batteria prima di riaccendere l'utensile.

### Protezione dalla sovrascarica

Quando la carica della batteria non è sufficiente, l'utensile si arresta automaticamente. In tal caso, rimuovere la batteria dall'utensile e caricarla.

### Controllo della carica residua della batteria (BL1460A)

► **Fig. 2:** 1. Indicatori luminosi 2. Pulsante di controllo

**NOTA:** A seconda delle condizioni d'uso e della temperatura ambiente, l'indicazione potrebbe variare leggermente rispetto alla carica effettiva.

### Durante la ricarica

Quando ha inizio la ricarica, il primo indicatore luminoso (all'estremità sinistra) inizia a sfarfallare. Quindi, man mano che la ricarica procede, gli altri indicatori luminosi si illuminano, uno dopo l'altro, per indicare il livello di carica della batteria.

**NOTA:** Qualora l'indicatore luminoso non si accenda né sfarfalli durante la ricarica, la batteria potrebbe essere difettosa. In questo caso, rivolgersi al proprio centro di assistenza locale.

### Durante l'uso

Quando si accende l'utensile, gli indicatori luminosi si illuminano per indicare la carica residua della batteria. Quando si spegne l'utensile, la luce si spegne dopo circa 5 secondi. Quando si preme il pulsante di controllo con l'utensile spento, gli indicatori luminosi si accendono per circa 5 secondi per mostrare la carica della batteria. Qualora l'indicatore luminoso arancione sfarfalli, l'utensile si arresta a causa della bassa carica residua della batteria (meccanismo di arresto automatico). A questo punto, caricare la cartuccia della batteria o utilizzare una cartuccia della batteria caricata. Quando si accende l'utensile utilizzando una batteria che non sia stata utilizzata per un periodo di tempo prolungato, potrebbe non accendersi alcun indicatore luminoso. In questa circostanza, l'utensile si arresta a causa della bassa carica residua della batteria. Caricare la batteria correttamente.

### Funzionamento dell'interruttore

► **Fig. 3:** 1. Interruttore a grilletto

**⚠ATTENZIONE:** Prima di inserire la cartuccia della batteria nell'utensile, controllare sempre che l'interruttore a grilletto funzioni correttamente e torni sulla posizione "OFF" quando viene rilasciato.

Per avviare l'utensile, è sufficiente premere l'interruttore a grilletto. La velocità dell'utensile viene aumentata incrementando la pressione sull'interruttore a grilletto. Rilasciare l'interruttore a grilletto per arrestare l'utensile.

**NOTA:** L'utensile si arresta automaticamente se si tiene premuto l'interruttore a grilletto per circa 3 minuti.

## Accensione della lampadina anteriore

► Fig.4: 1. Lampadina

**ATTENZIONE:** Non osservare né guardare direttamente la fonte di luce.

Premere l'interruttore a grilletto per accendere la lampadina. La lampadina resta accesa fintanto che l'interruttore a grilletto è premuto. La lampadina si spegne circa 10 secondi dopo che si è rilasciato l'interruttore a grilletto.

**NOTA:** Per pulire la sporcizia dalla lente della lampadina, utilizzare un panno asciutto. Fare attenzione a non graffiare la lente della lampadina, altrimenti si potrebbe ridurre l'illuminazione.

## Uso del commutatore di inversione della rotazione

► Fig.5: 1. Leva del commutatore di inversione della rotazione

**ATTENZIONE:** Controllare sempre la direzione di rotazione prima dell'uso.

**ATTENZIONE:** Utilizzare il commutatore di inversione della rotazione solo dopo l'arresto completo dell'utensile. Qualora si cambi la direzione di rotazione prima dell'arresto dell'utensile, si potrebbe danneggiare quest'ultimo.

**ATTENZIONE:** Quando l'utensile non è in uso, impostare sempre la leva del commutatore di inversione della rotazione sulla posizione centrale.

Questo utensile è dotato di un commutatore di inversione della rotazione, per cambiare la direzione di rotazione. Premere la leva del commutatore di inversione della rotazione dal lato A per la rotazione in senso orario, o dal lato B per la rotazione in senso antiorario. Quando la leva del commutatore di inversione della rotazione si trova sulla posizione centrale, non è possibile premere l'interruttore a grilletto.

## Modifica dell'impostazione dei parametri sull'utensile (modalità di Impostazione sul lavoro)

**AVVISO:** Questa funzione è disponibile come impostazione predefinita. Qualora si sia disattivata la modalità di Impostazione sul lavoro sul computer, attivare questa funzione anticipatamente. Fare riferimento al manuale d'uso di "Impostazione utensili Makita industria" per informazioni su come effettuare la configurazione.

**AVVISO:** Qualora la modalità di Impostazione sul lavoro sia disattivata, non è consentito effettuare impostazioni sull'utensile. Quando si preme il pulsante di impostazione, i valori impostati sull'utensile vengono visualizzati in sequenza.

Il numero dell'impostazione corrente viene visualizzato sull'indicatore.

A ogni pressione del pulsante di impostazione, l'indicatore mostra livello di coppia, livello di avvitemento, intervallo del tempo di lavorazione e "Ad".

► Fig.7: 1. Pulsante di impostazione 2. Indicatore

È possibile modificare le impostazioni dei parametri seguenti sull'utensile:

- Impostazione con arresto automatico/Modalità libera

Voce di impostazione	Indicazione visualizzata sull'indicatore	Descrizione
Livello di coppia	Da 01 a 40 FF OP	Il livello di coppia che attiva la modalità di Arresto automatico del serraggio
Livello di avvitemento	Da L1 a L7 OP	La sensibilità dell'applicazione in sede dell'elemento di fissaggio
Intervallo del tempo di lavorazione	Lo: Da 0.1 a 9.9 Hl: Da 0.1 a 9.9 --	La durata più breve o più lunga della rotazione quando si continua a tenere premuto l'interruttore a grilletto.

## Modifica dell'impostazione dei parametri sul computer

È possibile configurare le impostazioni dettagliate dell'utensile con il software applicativo "Impostazione utensili Makita industria". Installare il software applicativo sul computer e collegare l'utensile al computer con un cavo USB.

Fare riferimento al manuale d'uso di "Impostazione utensili Makita industria" per i dettagli sulla configurazione.

► Fig.6: 1. Porta USB 2. Sportellino USB 3. Cavo USB

**AVVISO:** Accertarsi che lo sportellino USB sia chiuso durante il serraggio.

**NOTA:** Quando la leva del commutatore di inversione della rotazione viene fatta rientrare per selezionare la rotazione in senso orario, l'indicatore mostra l'impostazione della rotazione in senso orario.

Quando la leva del commutatore di inversione della rotazione viene fatta rientrare per selezionare la rotazione in senso antiorario, l'indicatore mostra l'impostazione della rotazione in senso antiorario.

**NOTA:** Utilizzare il numero della preimpostazione come indicazione di massima. Per mantenere la coppia di serraggio, il numero di impulsi cambia automaticamente in base alla carica residua della batteria.

**NOTA:** Utilizzare il cavo USB originale Makita per collegare il computer utilizzato all'utensile. Fare riferimento alla sezione "DATI TECNICI".

**NOTA:** Per il software applicativo, contattare un rappresentante Makita.

**AVVISO:** Qualora sull'indicatore venga visualizzato "OP" (modalità di Arresto automatico dell'allentamento), l'impostazione del livello di coppia e l'impostazione del livello di avvvitamento non sono disponibili. In questo caso, cambiare la modalità sulla modalità di Arresto automatico del serraggio, quindi impostare il livello di coppia e il livello di avvvitamento sul computer utilizzando "Impostazione utensili Makita industria".

## Modifica del livello di coppia

Quando si intende cambiare il livello di coppia da 23 a 34

► Fig.8

1. Premere svariate volte il pulsante di impostazione, fino a quando l'indicatore mostra un numero a 2 cifre, che indica l'impostazione corrente del livello di coppia.
2. Tenere premuto il pulsante di impostazione fino a quando il numero delle decine inizia a lampeggiare.
3. Impostare il numero nella posizione delle decine premendo brevemente il pulsante di impostazione. A ogni pressione del pulsante di impostazione, l'indicatore mostra un numero da "0" a "4" ed "F", ciclicamente.
4. Tenere premuto il pulsante di impostazione fino a quando il numero nella posizione delle unità inizia a lampeggiare.
5. Impostare il numero nella posizione delle unità premendo brevemente il pulsante di impostazione. A ogni pressione del pulsante di impostazione, l'indicatore mostra un numero da "0" a "9" ed "F", ciclicamente.
6. Tenere premuto il pulsante di impostazione per qualche secondo.

**NOTA:** In caso di incertezza su quale livello di coppia sia idoneo per il proprio lavoro, impostare "FF", affinché l'utensile funzioni in modalità Libera.

**NOTA:** Se si immette "00", "FF" viene visualizzato al posto di "00".

## Modifica del livello di avvvitamento

Quando si intende modificare il livello di avvvitamento da L1 a L2

► Fig.9

1. Premere svariate volte il pulsante di impostazione, fino a quando l'indicatore mostra 2 caratteri che iniziano con una "L" seguita da un numero. Questi ultimi indicano l'impostazione corrente del livello di avvvitamento.
2. Tenere premuto il pulsante di impostazione fino a quando l'indicatore inizia a lampeggiare.
3. Impostare il livello di avvvitamento. A ogni pressione del pulsante di impostazione, l'indicatore mostra da "L1" a "L7", ciclicamente. Il livello di avvvitamento più basso è "L1", mentre quello più alto è "L7".
4. Tenere premuto il pulsante di impostazione per qualche secondo.

## Modifica dell'intervallo più breve del tempo di lavorazione

Quando si intende modificare l'intervallo più breve del tempo di lavorazione da 2.5 a 3.6

► Fig.10

1. Premere svariate volte il pulsante di impostazione, fino a quando l'indicatore mostra "Lo" e un numero, in modo alternato. Questi ultimi indicano l'impostazione corrente dell'intervallo più breve del tempo di lavorazione.
2. Tenere premuto il pulsante di impostazione fino a quando il numero nella posizione delle unità inizia a lampeggiare.
3. Impostare il numero nella posizione delle unità premendo brevemente il pulsante di impostazione. A ogni pressione del pulsante di impostazione, l'indicatore mostra un numero da "0" a "9", ciclicamente.
4. Tenere premuto il pulsante di impostazione fino a quando il numero nella posizione dei decimali inizia a lampeggiare.
5. Impostare il numero nella posizione dei decimali premendo brevemente il pulsante di impostazione. A ogni pressione del pulsante di impostazione, l'indicatore mostra un numero da "0" a "9", ciclicamente.
6. Tenere premuto il pulsante di impostazione per qualche secondo.

**NOTA:** Quando si imposta un valore inferiore a "0.1" come intervallo più breve del tempo di lavorazione, l'indicatore mostra "--", e l'intervallo più breve del tempo di lavorazione viene disattivato. Per immettere "--", impostare il valore su "0.9", quindi premere il pulsante di impostazione quando il numero nella posizione delle unità sta lampeggiando.

## Modifica dell'intervallo più lungo del tempo di lavorazione

Quando si intende modificare l'intervallo più lungo del tempo di lavorazione da 2.5 a 3.6

► Fig.11

1. Premere svariate volte il pulsante di impostazione, fino a quando l'indicatore mostra "Hi" e un numero, in modo alternato. Questi ultimi indicano l'impostazione corrente dell'intervallo più lungo del tempo di lavorazione.
2. Tenere premuto il pulsante di impostazione fino a quando il numero nella posizione delle unità inizia a lampeggiare.
3. Impostare il numero nella posizione delle unità premendo brevemente il pulsante di impostazione. A ogni pressione del pulsante di impostazione, l'indicatore mostra un numero da "0" a "9", ciclicamente.
4. Tenere premuto il pulsante di impostazione fino a quando il numero nella posizione dei decimali inizia a lampeggiare.

5. Impostare il numero nella posizione dei decimali premendo brevemente il pulsante di impostazione. A ogni pressione del pulsante di impostazione, l'indicatore mostra un numero da "0" a "9", ciclicamente.
6. Tenere premuto il pulsante di impostazione per qualche secondo.

**NOTA:** Quando si imposta un valore superiore a "9,9" come intervallo più lungo del tempo di lavorazione, l'indicatore mostra "-,-", e l'intervallo più lungo del tempo di lavorazione viene disattivato. Per immettere "-,-", impostare il valore su "9,9", quindi premere il pulsante di impostazione quando il numero nella posizione delle unità sta lampeggiando.

## Misurazione di un'operazione effettiva (Autodiagnosi)

**AVVISO:** Questa funzione è disponibile come impostazione predefinita. Qualora si sia disattivata la modalità di Impostazione sul lavoro sul computer, attivare questa funzione anticipatamente. Fare riferimento al manuale d'uso di "Impostazione utensili Makita industria" per informazioni su come effettuare la configurazione.

È possibile misurare il livello di coppia e il tempo di funzionamento di un'operazione effettiva facendo funzionare l'utensile. Il livello di coppia e il tempo misurati possono venire utilizzati, ad esempio, agli scopi seguenti:

- Per riprodurre una tecnica di controllo della coppia di un operaio molto esperto, nonché;
- Come riferimento temporale per l'impostazione dell'intervallo più breve o più lungo del tempo di lavorazione.

## Misurazione del livello di coppia e del tempo di funzionamento

1. Premere svariate volte il pulsante di impostazione, fino a quando sull'indicatore viene visualizzato "Ad".
2. Tenere premuto il pulsante di impostazione fino a quando l'indicatore mostra "Ch".
3. Eseguire l'operazione per la quale si intende misurare il tempo di funzionamento.
  - Se si è configurato il livello di coppia, far funzionare l'utensile fino a quando si arresta in modalità di Arresto automatico del serraggio.
  - Se non si è configurato il livello di coppia (modalità Libera), far funzionare l'utensile in base alle esigenze.
4. Controllare il risultato misurato. Premere una volta il pulsante di impostazione per visualizzare il livello di coppia effettivo, quindi premerlo ancora una volta per visualizzare il tempo di funzionamento effettivo. A ogni pressione del pulsante di impostazione, l'indicatore mostra "Ch", il numero del livello di coppia effettivo e il numero del tempo di funzionamento effettivo, ciclicamente.
5. Tenere premuto il pulsante di impostazione per uscire dall'Autodiagnosi.

**NOTA:** La modalità di Arresto automatico del serraggio è operativa anche durante l'Autodiagnosi. Se si desidera misurare il livello di coppia senza limitazioni, impostare il livello di coppia "FF" (modalità Libera), quindi eseguire le procedure indicate sopra.

**NOTA:** Qualora sull'indicatore venga visualizzato "-,-", l'impulso non ha funzionato o il livello di coppia è superiore a 40. Qualora sull'indicatore venga visualizzato "-,-,-", il tempo di funzionamento ha superato i 9,9 secondi.

- Qualora l'impulso non abbia funzionato: Misurare nuovamente il livello di coppia con un tempo di lavorazione più lungo.
- Qualora il livello di coppia sia superiore a 40: L'utensile non è in grado di misurare il livello di coppia. Utilizzare l'utensile con un intervallo di coppia più elevato, se disponibile.
- Qualora il tempo di funzionamento superi i 9,9 secondi, la gamma del tempo di lavorazione non è disponibile.

Esempio di misurazione:

Se si configura l'impostazione seguente, è possibile leggere lo stato dell'utensile.

Caso 1

Voce di impostazione	Impostazione dell'utensile	Risultato misurato	Diagnosi
Livello di coppia	23	20	L'utensile si è arrestato entro l'intervallo più lungo del tempo di lavorazione (3,5 sec.) prima di aver raggiunto l'impostazione della modalità di Arresto automatico del serraggio (livello di coppia 23).
Intervallo del tempo di lavorazione	più breve: 2,5 sec. più lungo: 3,5 sec.	3,5	

Caso 2

Voce di impostazione	Impostazione dell'utensile	Risultato misurato	Diagnosi
Livello di coppia	23	23	L'utensile è stato arrestato dalla modalità di Arresto automatico del serraggio (livello di coppia 23) prima di aver raggiunto l'impostazione dell'intervallo più lungo del tempo di lavorazione (3,5 sec.).
Intervallo del tempo di lavorazione	più breve: 2,5 sec. più lungo: 3,5 sec.	3	

## Indicatore a LED/cicalino

### ► Fig.12: 1. Indicatore a LED

L'indicatore a LED o il cicalino sull'utensile mostrano le funzioni seguenti.

N. avviso	Funzione	Stato dell'utensile	Stato dell'indicatore a LED o del cicalino		Misura da adottare
			Indicatore a LED	Cicalino	
E0	Errore di installazione della batteria	Qualora la cartuccia della batteria venga installata con l'interruttore a grilletto premuto, l'utensile si arresta per evitare l'avvio accidentale.	Lampeggia in rosso e in verde in modo alternato.	Serie di segnali acustici lunghi	Installare la cartuccia della batteria con l'interruttore a grilletto rilasciato.
E1	Arresto automatico	L'energia della batteria si è ridotta, ed è il momento di sostituire la cartuccia della batteria.	Lampeggia in rosso e in verde in modo alternato.	Serie di segnali acustici lunghi	Sostituire la batteria con una completamente carica.
E2	Antiripristino del controller	La tensione della batteria si è notevolmente ridotta in modo anomalo per qualche motivo, e l'utensile si è arrestato.	Lampeggia in rosso e in verde in modo alternato.	Serie di segnali acustici lunghi	Sostituire la batteria con una completamente carica.
E3	Arresto automatico con bassa carica residua della batteria	L'energia della batteria è quasi completamente esaurita, e l'utensile si è arrestato.	Si illumina in rosso.	Segnale acustico lungo	Sostituire la batteria con una completamente carica.
E4	Protezione dal sovraccarico	L'utensile è stato sovraccaricato e si è arrestato.	Lampeggia in rosso e in verde in modo alternato.	Serie di segnali acustici lunghi	Rimuovere la causa del sovraccarico, quindi riavviare l'utensile. Richiedere la riparazione al centro di assistenza Makita locale.
E5	Protezione dal surriscaldamento	Il controller si è surriscaldato in modo anomalo, e l'utensile si è arrestato.	Lampeggia rapidamente in rosso.	Serie di segnali acustici lunghi	Rimuovere immediatamente la cartuccia della batteria e far raffreddare l'utensile.
E6	Blocco del motore	Il motore è stato bloccato. In questa circostanza, l'utensile non funziona.	Lampeggia in rosso e in verde in modo alternato.	Serie di segnali acustici lunghi	Rilasciare l'interruttore a grilletto e premerlo di nuovo.
E7	Guasto del motore	L'utensile ha rilevato un guasto del motore. In questa circostanza, l'utensile non funziona.	Lampeggia in rosso e in verde in modo alternato.	Serie di segnali acustici lunghi	Richiedere la riparazione al centro di assistenza Makita locale.
E8	Guasto dell'interruttore	L'utensile ha rilevato un guasto dell'interruttore.	Lampeggia in rosso e in verde in modo alternato.	Serie di segnali acustici lunghi	Richiedere la riparazione al centro di assistenza Makita locale.
E9	Avviso per un periodo di utilizzo prolungato	L'utensile è stato acceso per un periodo di tempo prolungato (circa 3 minuti).	Lampeggia in rosso e in verde in modo alternato.	Segnale acustico lungo	Rilasciare l'interruttore a grilletto e premerlo di nuovo.
-	Arresto automatico al completamento del serraggio	La coppia di serraggio preimpostata è stata raggiunta e l'utensile si è arrestato.	Si illumina in verde per circa un secondo.	-	-

N. avviso	Funzione	Stato dell'utensile	Stato dell'indicatore a LED o del cicalino		Misura da adottare
			Indicatore a LED	Cicalino	
-	Avviso di serraggio insufficiente	La coppia di serraggio preimpostata non è stata raggiunta, poiché l'interruttore a grilletto è stato rilasciato prima del completamento del serraggio.	Si illumina in verde per circa un secondo.	Segnale acustico lungo	Serrare nuovamente l'elemento di fissaggio.
-	Avviso di limite della capacità di serraggio	-	Lampeggia rapidamente in rosso.	Serie di segnali acustici lunghi	Sostituire la batteria con una completamente carica.
-	Avviso di manutenzione	È stato raggiunto il numero di avviture preimpostato per la manutenzione.	Lampeggia in giallo.	-	Azzerare l'avviso con il software applicativo.
-	Avviso di comunicazione assente con il PC	Avviso di comunicazione dati assente mentre l'utensile è collegato al PC.	Lampeggia in giallo.	-	Riavviare il software applicativo e ricollegare il cavo USB.
-	Indicazione che l'utensile è in grado di comunicare con il PC	L'utensile è collegato al PC ed è in grado di comunicare con quest'ultimo.	Lampeggia in verde.	-	-
-	Controllo delle luci e del cicalino (quando è installata la cartuccia della batteria)	L'utensile esegue il test di funzionamento per l'indicatore a LED (verde/rosso), la luce e il cicalino.	L'indicatore a LED luminoso si illumina in verde e quindi in rosso. Dopodiché, la luce si accende per qualche istante.	Serie di segnali acustici molto brevi	-

## ASSEMBLAGGIO

**⚠ATTENZIONE:** Accertarsi sempre che l'utensile sia spento e che la cartuccia della batteria sia stata rimossa, prima di effettuare qualsiasi intervento sull'utensile.

### Selezione della bussola a impatto corretta

Utilizzare sempre la bussola a impatto di dimensioni corrette per i bulloni e i dadi. Una bussola a impatto di dimensioni errate produce una coppia di serraggio imprecisa e incostante e/o il danneggiamento del bullone o del dado.

### Installazione o rimozione della bussola a impatto

#### Accessorio opzionale

**⚠ATTENZIONE:** Accertarsi che la bussola a impatto e la parte di montaggio non siano danneggiate prima di installare la bussola a impatto.

**⚠ATTENZIONE:** Dopo aver inserito la bussola a impatto, accertarsi che sia fissata saldamente. Qualora fuoriesca, non utilizzarla.

**NOTA:** Il metodo di installazione della bussola a impatto varia a seconda del tipo di trasmissione quadrata sull'utensile.

### Utensile dotato di molla ad anello

#### Per bussole a impatto prive di guarnizione circolare e perno

► Fig.13: 1. Bussola a impatto 2. Trasmissione quadrata 3. Molla ad anello

Premere la bussola a impatto sulla trasmissione quadrata fino a quando si innesta in sede.

Per rimuovere la bussola a impatto, tirarla semplicemente via.

#### Per bussole a impatto dotate di guarnizione circolare e perno

► Fig.14: 1. Bussola a impatto 2. Guarnizione circolare 3. Perno

Spostare la guarnizione circolare fuori dalla scanalatura della bussola a impatto e rimuovere il perno dalla bussola a impatto. Inserire la bussola a impatto sulla trasmissione quadrata, in modo che il foro nella bussola a impatto sia allineato con il foro nella trasmissione quadrata.

Inserire il perno attraverso il foro nella bussola a impatto e nella trasmissione quadrata. Quindi, riportare la guarnizione circolare nella sua posizione originale nella scanalatura della bussola a impatto, per bloccare il perno.

Per rimuovere la bussola a impatto, eseguire le procedure di installazione al contrario.



## Utensile dotato di perno di fermo

- Fig.15: 1. Bussola a impatto 2. Foro  
3. Trasmissione quadrata 4. Perno di fermo

Allineare il foro sul fianco della bussola a impatto con il perno di fermo sulla trasmissione quadrata, quindi premere la bussola a impatto sulla trasmissione quadrata fino a bloccarla in sede. Dare dei piccoli colpi, se necessario.

Per rimuovere la bussola a impatto, tirarla semplicemente via. Qualora risulti difficile rimuoverla, premere il perno di fermo mentre si tira la bussola a impatto.

## Installazione del gancio

### Accessorio opzionale

Il gancio è utile per appendere l'utensile. Installare il gancio nei fori sul corpo dell'utensile.

- Fig.16: 1. Gancio 2. Foro

## FUNZIONAMENTO

**⚠ATTENZIONE:** Inserire sempre completamente la cartuccia della batteria, fino al suo arresto in sede. Qualora si veda l'indicatore rosso sul lato superiore del pulsante, la batteria non è bloccata completamente. Inserirli completamente, fino a quando l'indicatore rosso non è più visibile. In caso contrario, la batteria potrebbe fuoriuscire e cadere accidentalmente dall'utensile, causando lesioni personali all'operatore o a chi gli è vicino.

**⚠ATTENZIONE:** Tenere saldamente l'utensile e posizionare la bussola a impatto sopra il bullone o il dado. Accendere l'utensile e serrare per il tempo di serraggio corretto.

**⚠ATTENZIONE:** Se si fa funzionare continuamente l'utensile fino allo scaricamento della cartuccia della batteria, lasciarlo riposare per 15 minuti prima di continuare con una nuova cartuccia della batteria.

**⚠ATTENZIONE:** Se si esercita una pressione eccessiva sull'utensile, non si accelera la foratura. In realtà, tale pressione eccessiva produce solo l'effetto di danneggiare l'estremità della punta per trapano e di ridurre le prestazioni e la vita utile dell'utensile.

**⚠ATTENZIONE:** Fissare sempre i pezzi in lavorazione in una morsa o un dispositivo simile per tenerli fermi.

- Fig.17

La coppia di serraggio corretta può variare a seconda del tipo o delle dimensioni del bullone, del materiale del pezzo in lavorazione da fissare, e così via.

**AVVISO:** Quando si intende serrare bulloni piccoli, regolare con cura la pressione sull'interruttore a grilletto, in modo da non danneggiare il bullone.

**AVVISO:** Mantenere l'utensile diritto e puntato sul bullone o dado.

**AVVISO:** Una coppia di serraggio eccessiva potrebbe danneggiare il bullone/dado o la bussola a impatto. Prima di iniziare il lavoro, effettuare sempre una prova di funzionamento per determinare il tempo di serraggio appropriato per il bullone o dado utilizzato.

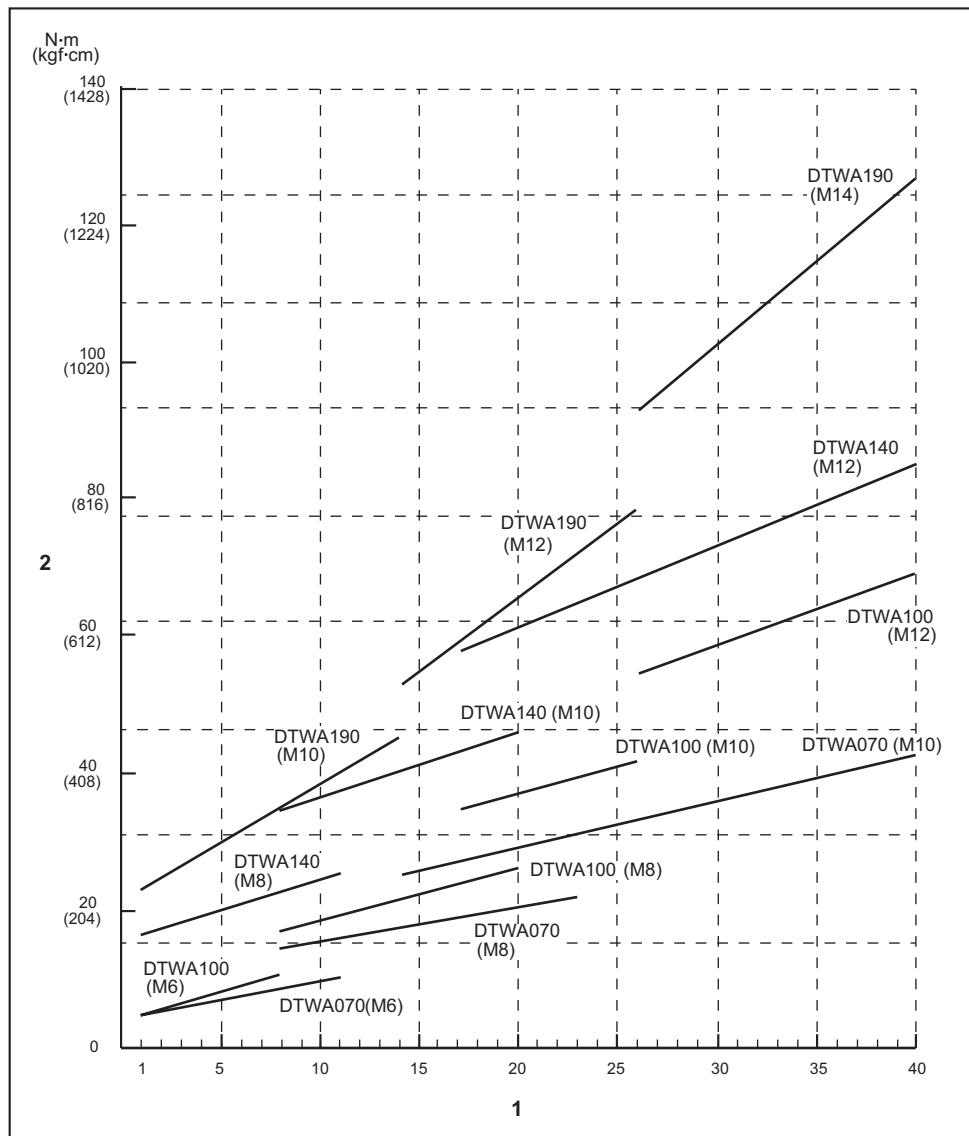
La coppia di serraggio è influenzata da un'ampia gamma di fattori, inclusi quelli seguenti. Dopo il serraggio, controllare sempre la coppia con una chiave torsiometrica.

1. Quando la cartuccia della batteria è quasi completamente scarica, la tensione scende e la coppia di serraggio si riduce.
2. Bussola a impatto
  - Il mancato utilizzo di una bussola a impatto delle dimensioni corrette causa una riduzione della coppia di serraggio.
  - Una bussola a impatto usurata (usura sull'estremità esagonale o sull'estremità quadrata) causa una riduzione della coppia di serraggio.
3. Bullone
  - Anche se il coefficiente di coppia e la classe del bullone sono identici, la coppia di serraggio corretta varia a seconda del diametro del bullone.
  - Anche se i diametri dei bulloni sono identici, la coppia di serraggio corretta varia a seconda del coefficiente di coppia, della classe e della lunghezza del bullone.
4. L'impiego del giunto universale o della barra di prolunga riduce in una certa misura la coppia di serraggio dell'avvitatrice a massa battente. Compensare serrando per un periodo di tempo più lungo.
5. La coppia è influenzata da come si tiene l'utensile e dal materiale nella posizione di serraggio da fissare.
6. Facendo funzionare l'utensile a bassa velocità si causa una riduzione della coppia di serraggio.

## Coppia di serraggio e livello di coppia

**NOTA:** Questo valore di riferimento è misurato in base alle condizioni di misurazione specificate da Makita.

**NOTA:** Il valore effettivo può variare a seconda delle circostanze relative a elementi di fissaggio, materiali e metodi di fissaggio. Eseguire un'applicazione di prova prima del lavoro effettivo.



1. Livello di coppia 2. Coppia di serraggio

# MANUTENZIONE

**⚠ATTENZIONE:** Accertarsi sempre che l'utensile sia spento e che la cartuccia della batteria sia stata rimossa prima di tentare di eseguire interventi di ispezione o manutenzione.

**AVVISO:** Non utilizzare mai benzina, benzene, solventi, alcol o altre sostanze simili. In caso contrario, si potrebbero causare scolorimenti, deformazioni o crepe.

Per preservare la SICUREZZA e l'AFFIDABILITÀ del prodotto, le riparazioni e qualsiasi altro intervento di manutenzione e di regolazione devono essere eseguiti da un centro di assistenza autorizzato Makita, utilizzando sempre ricambi Makita.

# ACCESSORI OPZIONALI

**⚠ATTENZIONE:** Questi accessori o componenti aggiuntivi sono consigliati per l'uso con l'utensile Makita specificato nel presente manuale. L'impiego di altri accessori o componenti aggiuntivi può costituire un rischio di lesioni alle persone. Utilizzare gli accessori o i componenti aggiuntivi solo per il loro scopo prefissato.

Per ottenere ulteriori dettagli relativamente a questi accessori, rivolgersi a un centro di assistenza Makita.

- Gancio
- Protezione (blu, rossa, gialla, verde, trasparente)
- Protezione batteria per il modello BL1460A
- Protezione batteria per il modello BL1415NA
- Batteria e caricabatterie originali Makita
- Cavo USB

**NOTA:** Alcuni articoli nell'elenco potrebbero essere inclusi nell'imballaggio dell'utensile come accessori standard. Tali articoli potrebbero variare da nazione a nazione.

## TECHNISCHE GEGEVENS

Model:		DTWA070	DTWA100	DTWA140	DTWA190
Bevestigingscapaciteiten	Standaardbout	M5 - M12		M6 - M16	M8 - M16
	Bout met hoge trekvastheid	M5 - M10		M6 - M12	M8 - M14
Maximaal aandraaimoment		65 N•m	95 N•m	140 N•m	185 N•m
Koppelbereik		Ong. 5 - 40 N•m	Ong. 6 - 65 N•m	Ong. 18 - 80 N•m	Ong. 25 - 125 N•m
Vierkante aandrijfkop		9,5 mm		12,7 mm	
Nullasttoerental (t/min)		0 - 2.500 min <sup>-1</sup>	0 - 2.700 min <sup>-1</sup>		0 - 2.600 min <sup>-1</sup>
Slagen per minuut		0 - 3.700 min <sup>-1</sup>	0 - 3.300 min <sup>-1</sup>		0 - 3.000 min <sup>-1</sup>
Totale lengte		144 mm	151 mm	158 mm	
Nominale spanning		14,4 V gelijkspanning			
Nettogewicht		1,1 - 1,4 kg	1,2 - 1,4 kg	1,2 - 1,5 kg	1,3 - 1,6 kg
Geschikte USB-kabel		661432-2			

- In verband met ononderbroken research en ontwikkeling, behouden wij ons het recht voor de bovenstaande technische gegevens zonder voorafgaande kennisgeving te wijzigen.
- De technische gegevens kunnen van land tot land verschillen.
- Het gewicht kan verschillen afhankelijk van de hulpstukken, waaronder de accu. De lichtste en zwaarste combinatie, overeenkomstig de EPTA-procedure 01/2014, worden getoond in de tabel.

### Toepasselijke accu's en laders

Accu	BL1415N / BL1415NA / BL1430B / BL1440 / BL1460A / BL1460B
Lader	DC18RC / DC18RD / DC18RE / DC18SD / DC18SE / DC18SF / DC18SH

- Sommige van de hierboven vermelde accu's en laders zijn mogelijk niet leverbaar afhankelijk van waar u woont.

**⚠ WAARSCHUWING:** Gebruik uitsluitend de accu's en laders die hierboven worden genoemd. Gebruik van enige andere accu of lader kan leiden tot letsel en/of brand.

### Gebruiksdoeleinden

Dit gereedschap is bedoeld voor het vastdraaien van bouten en moeren.

### Geluidsniveau

De typische, A-gewogen geluidsniveaus zijn gemeten volgens EN62841-2-2:

#### Model DTWA070

Geluidsdrukniveau ( $L_{pA}$ ): 92 dB (A)  
 Geluidsvermogeniveau ( $L_{WA}$ ): 103 dB (A)  
 Onzekerheid (K): 3 dB (A)

#### Model DTWA100

Geluidsdrukniveau ( $L_{pA}$ ): 93 dB (A)  
 Geluidsvermogeniveau ( $L_{WA}$ ): 104 dB (A)  
 Onzekerheid (K): 3 dB (A)

#### Model DTWA140

Geluidsdrukniveau ( $L_{pA}$ ): 96 dB (A)  
 Geluidsvermogeniveau ( $L_{WA}$ ): 107 dB (A)  
 Onzekerheid (K): 3 dB (A)

#### Model DTWA190

Geluidsdrukniveau ( $L_{pA}$ ): 95 dB (A)  
 Geluidsvermogeniveau ( $L_{WA}$ ): 106 dB (A)  
 Onzekerheid (K): 3 dB (A)

**OPMERKING:** De opgegeven geluidsemisiewaarde(n) is/zijn gemeten volgens een standaardtestmethode en kan/kunnen worden gebruikt om dit gereedschap te vergelijken met andere gereedschappen.

**OPMERKING:** De opgegeven geluidsemisiewaarde(n) kan/kunnen ook worden gebruikt voor een beoordeling vooraf van de blootstelling.

**⚠ WAARSCHUWING:** Draag gehoorbescherming.

**⚠ WAARSCHUWING:** De geluidsemisatie tijdens het gebruik van het elektrisch gereedschap in de praktijk kan verschillen van de opgegeven waarde(n) afhankelijk van de manier waarop het gereedschap wordt gebruikt, met name van het soort werkstuk waarmee wordt gewerkt.

**⚠ WAARSCHUWING:** Zorg ervoor dat veiligheidsmaatregelen worden getroffen ter bescherming van de gebruiker die zijn gebaseerd op een schatting van de blootstelling onder praktijkomstandigheden (rekening houdend met alle fasen van de bedrijfscyclus, zoals de tijdsduur gedurende welke het gereedschap is uitgeschakeld en stationair draait, naast de ingeschakelde tijdsduur).

## Trilling

De totale trillingswaarde (triaxiale vectorsom) zoals vastgesteld volgens EN62841-2-2:

### Model DTWA070

Gebruikstoepassing: bevestigen met behulp van slagwerking van bevestigingsmiddelen tot de maximale capaciteit van het gereedschap  
Trillingsemisatie ( $a_h$ ):  $9,0 \text{ m/s}^2$   
Onzekerheid (K):  $1,5 \text{ m/s}^2$

### Model DTWA100

Gebruikstoepassing: bevestigen met behulp van slagwerking van bevestigingsmiddelen tot de maximale capaciteit van het gereedschap  
Trillingsemisatie ( $a_h$ ):  $8,5 \text{ m/s}^2$   
Onzekerheid (K):  $1,5 \text{ m/s}^2$

### Model DTWA140

Gebruikstoepassing: bevestigen met behulp van slagwerking van bevestigingsmiddelen tot de maximale capaciteit van het gereedschap  
Trillingsemisatie ( $a_h$ ):  $10,0 \text{ m/s}^2$   
Onzekerheid (K):  $1,5 \text{ m/s}^2$

### Model DTWA190

Gebruikstoepassing: bevestigen met behulp van slagwerking van bevestigingsmiddelen tot de maximale capaciteit van het gereedschap  
Trillingsemisatie ( $a_h$ ):  $10,5 \text{ m/s}^2$   
Onzekerheid (K):  $1,5 \text{ m/s}^2$

**OPMERKING:** De totale trillingswaarde(n) is/zijn gemeten volgens een standaardtestmethode en kan/kunnen worden gebruikt om dit gereedschap te vergelijken met andere gereedschappen.

**OPMERKING:** De opgegeven totale trillingswaarde(n) kan/kunnen ook worden gebruikt voor een beoordeling vooraf van de blootstelling.

**⚠️ WAARSCHUWING:** De trillingsemisatie tijdens het gebruik van het elektrisch gereedschap in de praktijk kan verschillen van de opgegeven waarde(n) afhankelijk van de manier waarop het gereedschap wordt gebruikt, met name van het soort werkstuk waarmee wordt gewerkt.

**⚠️ WAARSCHUWING:** Zorg ervoor dat veiligheidsmaatregelen worden getroffen ter bescherming van de gebruiker die zijn gebaseerd op een schatting van de blootstelling onder praktijkomstandigheden (rekening houdend met alle fasen van de bedrijfscyclus, zoals de tijdsduur gedurende welke het gereedschap is uitgeschakeld en stationair draait, naast de ingeschakelde tijdsduur).

## EG-verklaring van conformiteit

### Alleen voor Europese landen

De EG-verklaring van conformiteit is bijgevoegd als Bijlage A bij deze gebruiksaanwijzing.

# VEILIGHEIDSWAARSCHUWINGEN

## Algemene veiligheids waarschuwingen voor elektrisch gereedschap

**⚠️ WAARSCHUWING:** Lees alle veiligheids waarschuwingen, aanwijzingen, afbeeldingen en technische gegevens behorend bij dit elektrische gereedschap aandachtig door. Als u niet alle onderstaande aanwijzingen naleeft, kan dat resulteren in brand, elektrische schokken en/of ernstig letsel.

## Bewaar alle waarschuwingen en instructies om in de toekomst te kunnen raadplegen.

De term "elektrisch gereedschap" in de veiligheidsvoorwaarden duidt op gereedschappen die op stroom van het lichtnet werken (met snoer) of gereedschappen met een accu (snoerloos).

## Veiligheids waarschuwingen voor een accuslagmoersleutel

1. **Houd elektrisch gereedschap vast bij het geïsoleerde oppervlak van de handgrepen wanneer u werkt op plaatsen waar het bevestigingsmateriaal in aanraking kan komen met verborgen bedrading.** Wanneer bevestigingsmaterialen in aanraking komen met onder spanning staande draden, zullen de niet-geïsoleerde metalen delen van het gereedschap onder spanning komen te staan zodat de gebruiker een elektrische schok kan krijgen.
2. **Draag orbeschermers.**
3. **Controleer de slagkop nauwkeurig op slijtage, scheuren of beschadiging alvorens deze op het gereedschap te monteren.**
4. **Houd het gereedschap stevig vast.**
5. **Houd uw handen uit de buurt van draaiende onderdelen.**
6. **Raak de slagkop, de bout, de moer of het werkstuk niet onmiddellijk na gebruik aan.** Zij kunnen bijzonder heet zijn en brandwonden op uw huid veroorzaken.
7. **Zorg ervoor dat u stevig staat op een vast ondergrond.**  
Bij gebruik van het gereedschap op een hoge plaats dient u ervoor te zorgen dat niemand beneden u aanwezig is.
8. **Het juiste aandraaimoment kan verschillen afhankelijk van de soort en maat van de bout.** Controleer het aandraaimoment met een momentsleutel.
9. **Verzekert u ervan dat er geen elektriciteitskabels, waterleidingen, gasleidingen, enz. zijn die een gevaarlijke situatie zouden kunnen veroorzaken als ze worden beschadigd door het gebruik van dit gereedschap.**

## BEWAAR DEZE VOORSCHRIFTEN.

**⚠️ WAARSCHUWING:** Laat u NIET misleiden door een vals gevoel van comfort en bekendheid met het gereedschap (na veelvuldig gebruik) en neem alle veiligheidsvoorschriften van het betreffende gereedschap altijd strikt in acht.

**VERKEERD GEBRUIK** of het niet naleven van de veiligheidsvoorschriften in deze gebruiksaanwijzing kan leiden tot ernstige verwondingen.

## Belangrijke veiligheidsinstructies voor een accu

1. Lees alle voorschriften en waarschuwingen op (1) de acculader, (2) de accu, en (3) het product waarvoor de accu wordt gebruikt, alvorens de accu in gebruik te nemen.
2. Haal de accu niet uit elkaar en saboteer hem niet. Dit kan leiden tot brand, buitensporige hitte of een explosie.
3. Als de gebruikstijd van een opgeladen accu aanzienlijk korter is geworden, moet u het gebruik ervan onmiddellijk stopzetten. Voortgezet gebruik kan oververhitting, brandwonden en zelfs een ontploffing veroorzaken.
4. Als elektrolyt in uw ogen is terechtgekomen, spoelt u uw ogen met schoon water en roept u onmiddellijk de hulp van een dokter in. Elektrolyt in de ogen kan blindheid veroorzaken.
5. Voorkom kortsluiting van de accu:
  - (1) Raak de accuklemmen nooit aan met een geleidend materiaal.
  - (2) Bewaar de accu niet in een bak waarin andere metalen voorwerpen zoals spijkers, munten e.d. worden bewaard.
  - (3) Stel de accu niet bloot aan water of regen. Kortsluiting van de accu kan oorzaak zijn van een grote stroomafgifte, oververhitting, brandwonden, en zelfs defecten.
6. Bewaar en gebruik het gereedschap en de accu niet op plaatsen waar de temperatuur kan oplopen tot 50 °C of hoger.
7. Werp de accu nooit in het vuur, ook niet wanneer hij zwaar beschadigd of volledig versleten is. De accu kan ontploffen in het vuur.
8. Laat de accu niet vallen, sla er geen spijker in, snijd er niet in, gooi er niet mee en stoot hem niet tegen een hard voorwerp. Dergelijke handelingen kunnen leiden tot brand, buitensporige hitte of een explosie.
9. Gebruik nooit een beschadigde accu.
10. De bijgeleverde lithium-ionbatterijen zijn onderhevig aan de vereisten in de wetgeving omtrent gevaarlijke stoffen.

Voor commercieel transport en dergelijke door derden en transporteurs moeten speciale vereisten ten aanzien van verpakking en etikettering worden nageleefd. Als voorbereiding van het artikel dat wordt getransporteerd is het noodzakelijk een expert op het gebied van gevaarlijke stoffen te raadplegen. Houd u tevens aan mogelijk strengere nationale regelgeving. Blootliggende contactpunten moeten worden afgedekt met tape en de accu moet zodanig worden verpakt dat deze niet kan bewegen in de verpakking.

11. Wanneer u de accu wilt weggooien, verwijdert u de accu vanaf het gereedschap en gooit u hem op een veilige manier weg. Volg bij het weggooien van de accu de plaatselijke voorschriften.
12. Gebruik de accu's uitsluitend met de gereedschappen die door Makita zijn aanbevolen. Als de accu's worden aangebracht in niet-compatibele gereedschappen, kan dat leiden tot brand, buitensporige warmteontwikkeling, een explosie of lekkage van elektrolyt.
13. Als u het gereedschap gedurende een lange tijd niet denkt te gaan gebruiken, moet de accu vanaf het gereedschap worden verwijderd.
14. Tijdens en na gebruik, kan de accu heet worden waardoor brandwonden of koude brandwonden kunnen worden veroorzaakt. Wees voorzichtig bij het hanteren van een hete accu.
15. Raak de aansluitpunten van het gereedschap niet onmiddellijk na gebruik aan omdat deze heet genoeg kunnen zijn om brandwonden te veroorzaken.
16. Zorg ervoor dat geen steenslag, stof of grond vast komt te zitten op/in de aansluitpunten, openingen en groeven van de accu. Dit kan leiden tot slechte prestaties of een defect van het gereedschap of de accu.
17. Behalve indien gebruik van het gereedschap is toegestaan in de buurt van hoogspanningsleidingen, mag u de accu niet gebruiken in de buurt van een hoogspanningsleiding. Dit kan leiden tot een storing of een defect van het gereedschap of de accu.
18. Houd de accu uit de buurt van kinderen.

## BEWAAR DEZE INSTRUCTIES.

**⚠️ LET OP:** Gebruik uitsluitend originele Makita accu's. Het gebruik van niet-originele accu's, of accu's die zijn gewijzigd, kan ertoe leiden dat de accu ontploft en brand, persoonlijk letsel en schade veroorzaakt. Ook vervalt daarmee de garantie van Makita op het gereedschap en de lader van Makita.

## Tips voor een maximale levensduur van de accu

1. Laad de accu op voordat hij volledig ontladen is. Stop het gebruik van het gereedschap en laad de accu op telkens wanneer u vaststelt dat het vermogen van het gereedschap is afgenomen.
2. Laad een volledig opgeladen accu nooit opnieuw op. Te lang opladen verkort de levensduur van de accu.
3. Laad de accu op bij een omgevingstemperatuur tussen 10 °C en 40 °C. Laat een warme accu afkoelen alvorens hem op te laden.
4. Als de accu niet wordt gebruikt, verwijdert u hem vanaf het gereedschap of de lader.
5. Laad de accu op als u deze gedurende een lange tijd (meer dan zes maanden) niet gaat gebruiken.

## BESCHRIJVING VAN DE FUNCTIES

**⚠ LET OP:** Zorg altijd dat het gereedschap is uitgeschakeld en de accu ervan is verwijderd alvorens de functies op het gereedschap af te stellen of te controleren.

### De accu aanbrengen en verwijderen

**⚠ LET OP:** Schakel het gereedschap altijd uit voordat u de accu aanbrengt of verwijdert.

**⚠ LET OP:** Houd het gereedschap en de accu stevig vast tijdens het aanbrengen of verwijderen van de accu. Als u het gereedschap en de accu niet stevig vasthoudt, kunnen deze uit uw handen glippen en het gereedschap of de accu beschadigen, of kan persoonlijk letsel worden veroorzaakt.

► **Fig.1:** 1. Rood deel 2. Knop 3. Accu

Om de accu te verwijderen verschuift u de knop aan de voorkant van de accu en schuift u tegelijkertijd de accu uit het gereedschap.

Om de accu aan te brengen lijnt u de lip op de accu uit met de groef in de behuizing en duwt u de accu op zijn plaats. Steek de accu zo ver mogelijk in het gereedschap tot u een klikge-luid hoort. Wanneer het rode deel zichtbaar is, zoals aangegeven in de afbeelding, is de accu niet geheel vergrendeld.

**⚠ LET OP:** Breng de accu altijd helemaal aan totdat het rode deel niet meer zichtbaar is. Als u dit niet doet, kan de accu per ongeluk uit het gereedschap vallen en u of anderen in uw omgeving verwonden.

**⚠ LET OP:** Breng de accu niet met kracht aan. Als de accu niet gemakkelijk in het gereedschap kan worden geschoven, wordt deze niet goed aangebracht.

### Gereedschap-/accubeveiligingssysteem

Het gereedschap is voorzien van een gereedschap-/accubeveiligingssysteem. Dit systeem schakelt automatisch de voeding naar de motor uit om de levensduur van het gereedschap en de accu te verlengen. Het gereedschap kan tijdens het gebruik automatisch stoppen als het gereedschap of de accu aan één van de volgende omstandigheden wordt blootgesteld:

#### Overbelastingsbeveiliging

Als de accu wordt gebruikt op een manier die ertoe leidt dat een abnormaal hoge stroomsterkte wordt getrokken, stopt het gereedschap automatisch zonder enige aanduiding. In dat geval schakelt u het gereedschap uit en stopt u met het gebruik dat er toe leidde dat het gereedschap overbelast raakte. Schakel vervolgens het gereedschap in om weer te starten.

#### Oververhittingsbeveiliging

Wanneer het gereedschap/de accu oververhit is, stopt het gereedschap automatisch. Laat in deze situatie het gereedschap/de accu afkoelen voordat u het gereedschap weer inschakelt.

## Beveiliging tegen te ver ontladen

Als de acculading onvoldoende is, stopt het gereedschap automatisch. In dit het geval verwijdert u de accu vanaf het gereedschap en laadt u de accu op.

### De resterende acculading controleren (BL1460A)

► **Fig.2:** 1. Indicatorlampjes 2. Testknop

**OPMERKING:** Afhankelijk van de gebruiksomstandigheden en de omgevingstemperatuur, is het mogelijk dat de aangegeven acculading verschilt van de werkelijke acculading.

### Tijdens opladen

Wanneer het opladen begint, gaat het eerste (meest linkse) indicatorlampje knipperen. Naar mate het opladen vordert, gaat het ene na het andere lampje branden om de huidige acculading aan te geven.

**OPMERKING:** Als het indicatorlampje niet gaat branden of knipperen tijdens het opladen, kan de accu defect zijn. Vraag in dat geval uw plaatselijke servicecentrum om hulp.

### Tijdens gebruik

Wanneer het gereedschap is ingeschakeld, branden de lampjes om de resterende acculading aan te geven. Wanneer het gereedschap is uitgeschakeld, gaan de lampjes na ongeveer 5 seconden uit.

Wanneer u met uitgeschakeld gereedschap op de controleknop drukt, gaan de indicatorlampjes gedurende ongeveer 5 seconden branden om de acculading aan te geven.

Als het oranje lampje knippert, stopt het gereedschap vanwege de geringe resterende acculading (automatische stopfunctie). Wanneer dat gebeurt, laadt u de accu op of gebruikt u een opgeladen accu.

Wanneer het gereedschap wordt gebruikt met een accu die lange tijd niet is gebruikt en wordt ingeschakeld, branden mogelijk geen lampjes. Wanneer dat gebeurt, stopt het gereedschap vanwege de geringe resterende acculading. Laad de accu goed op.

### De trekkerschakelaar gebruiken

► **Fig.3:** 1. Trekkerschakelaar

**⚠ LET OP:** Alvorens de accu in het gereedschap te plaatsen, moet u altijd controleren of de trekkerschakelaar goed werkt en bij het loslaten terugkeert naar de stand "OFF".

Om het gereedschap te starten, knijpt u gewoon de trekkerschakelaar in. Hoe harder u de trekkerschakelaar inknijpt, hoe sneller het gereedschap draait. Laat de trekkerschakelaar los om het gereedschap te stoppen.

**OPMERKING:** Het gereedschap stopt automatisch wanneer u de trekkerschakelaar gedurende ongeveer 3 minuten ingeknepen houdt.

## De lamp op de voorkant gebruiken

► Fig.4: 1. Lamp

**⚠ LET OP:** Kijk niet direct in het lamplicht of in de lichtbron.

Krijp de trekkerschakelaar in om de lamp in te schakelen. De lamp blijft branden zo lang de trekkerschakelaar wordt ingeknepen. Ongeveer 10 seconden nadat u de trekkerschakelaar hebt losgelaten, gaat de lamp uit.

**OPMERKING:** Gebruik een droge doek om vuil van de lens van de lamp af te vegen. Wees voorzichtig dat u de lens van de lamp niet bekrast omdat dan de verlichting minder wordt.

## De omkeerschakelaar bedienen

► Fig.5: 1. Omkeerschakelaar

**⚠ LET OP:** Controleer altijd de draairichting alvorens het gereedschap te starten.

**⚠ LET OP:** Verander de stand van de omkeerschakelaar alleen nadat het gereedschap volledig tot stilstand is gekomen. Als u de draairichting verandert terwijl het gereedschap nog draait, kan het gereedschap beschadigd raken.

**⚠ LET OP:** Zet de omkeerschakelaar altijd in de neutrale stand wanneer u het gereedschap niet gebruikt.

Dit gereedschap heeft een omkeerschakelaar voor het veranderen van de draairichting. Druk de omkeerschakelaar in vanaf kant A voor de draairichting rechtsom, of vanaf kant B voor de draairichting linksom.

Wanneer de omkeerschakelaar in de neutrale stand staat, kan de trekkerschakelaar niet worden ingeknepen.

## De parameterinstelling veranderen op het gereedschap (veldinstelfunctie)

**KENNISGEVING:** Deze functie is standaard aanwezig. Als u de veldinstelfunctie op de computer hebt uitgeschakeld, schakelt u deze functie van tevoren in. Raadpleeg de gebruiksaanwijzing van "Makita Industry Tool Settings" voor hoe u kunt configureren.

**KENNISGEVING:** Als de veldinstelfunctie is uitgeschakeld, is het niet mogelijk om instellingen op het gereedschap te maken. Wanneer u op de instelknop drukt, worden de waarden die op het gereedschap zijn ingesteld op volgorde weergegeven.

Het huidige instelnummer wordt weergegeven op de indicator.

Elke keer wanneer u op de instelknop drukt, geeft de indicator het koppelniveau, rundown-niveau, werktijdbereik en "Ad." weer.

► Fig.7: 1. Instelknop 2. Indicator

U kunt de volgende parameterinstellingen op uw gereedschap veranderen:

- Auto-stop-instelling / vrije functie

Instelling	Weergave op indicator	Beschrijving
Koppelniveau	01 - 40 FF OP	Het koppelniveau waarop de auto-stop-aandraaifunctie in werking treedt.
Rundown-niveau	L1 - L7 OP	De gevoeligheid van de bevestigingszitting
Werktijdbereik	Lo: 0.1 - 9.9 Hi: 0.1 - 9.9 --	De kortste/langste tijdsduur van het draaien wanneer u de trekkerschakelaar ingeknepen blijft houden.

**KENNISGEVING:** Als "OP" (auto-stop-losdraaifunctie) wordt weergegeven op de indicator, zijn de instellingen voor koppelniveau en rundown-niveau niet beschikbaar. In dat geval verandert u de functie naar de auto-stop-aandraaifunctie en stelt u het koppelniveau en rundown-niveau op de computer in met behulp van "Makita Industry Tool Settings".

## De parameterinstelling veranderen op de computer

U kunt gedetailleerde instellingen van het gereedschap configureren met behulp van de applicatiesoftware "Makita Industry Tool Settings". Installeer de applicatiesoftware op uw computer en verbind het gereedschap met behulp van een USB-kabel met de computer. Raadpleeg de gebruiksaanwijzing van "Makita Industry Tool Settings" voor meer informatie over het configureren.

► Fig.6: 1. USB-poort 2. USB-afdekking 3. USB-kabel

**KENNISGEVING:** Zorg ervoor dat de USB-afdekking gesloten is tijdens het bevestigen.

**OPMERKING:** Wanneer de omkeerschakelaar is ingedrukt voor rechtsom draaien, geeft de indicator de instelling voor rechtsom draaien weer.

Wanneer de omkeerschakelaar is ingedrukt voor linksom draaien, geeft de indicator de instelling voor linksom draaien weer.

**OPMERKING:** Gebruik het vooraf ingestelde aantal als een richtlijn. Om het aandraaimoment hetzelfde te houden, verandert het aantal slagen automatisch afhankelijk van de resterende acculading.

**OPMERKING:** Gebruik de originele USB-kabel van Makita om uw computer aan te sluiten op het gereedschap. Raadpleeg de paragraaf "TECHNISCHE GEGEVENS".

**OPMERKING:** Neem contact op met een Makita-verkoopvertegenwoordiger voor de applicatiesoftware.



## Het koppelniveau veranderen

### U wilt het koppelniveau veranderen van 23 naar 34

#### ► Fig.8

1. Druk meerdere keren op de instelknop totdat op de indicator het 2-cijferige nummer wordt weergegeven dat overeenkomt met het huidige ingestelde koppelniveau.
2. Houd de instelknop ingedrukt tot het cijfer van de tientallen begint te knippen.
3. Stel het cijfer van de tientallen in door kort op de instelknop te drukken. Elke keer wanneer u op de instelknop drukt, geeft de indicator een cijfer weer van "0" tot en met "4" en "F" in cyclische volgorde.
4. Houd de instelknop ingedrukt tot het cijfer van de eentallen begint te knippen.
5. Stel het cijfer van de eentallen in door kort op de instelknop te drukken. Elke keer wanneer u op de instelknop drukt, geeft de indicator een cijfer weer van "0" tot en met "9" en "F" in cyclische volgorde.
6. Houd de instelknop gedurende enkele seconden ingedrukt.

**OPMERKING:** Als u niet weet welk koppelniveau geschikt is voor uw werkzaamheden, stelt u "FF" in zodat het gereedschap in de vrije functie werkt.

**OPMERKING:** Als u "00" invoert, wordt "FF" weergegeven in plaats van "00".

## Het rundown-niveau veranderen

### U wilt het rundown-niveau veranderen van L1 naar L2

#### ► Fig.9

1. Druk meerdere keren op de instelknop totdat de indicator 2 tekens weergeeft beginnende met "L" gevolgd door een cijfer. Dit geeft de huidige instelling van het rundown-niveau aan.
2. Houd de instelknop ingedrukt totdat de indicator begint te knippen.
3. Stel het rundown-niveau in. Elke keer wanneer u op de instelknop drukt, geeft de indicator "L1" tot en met "L7" weer in cyclische volgorde. Het laagste rundown-niveau is "L1" en het hoogste is "L7".
4. Houd de instelknop gedurende enkele seconden ingedrukt.

## Het kortste werktijdgebied veranderen

### U wilt het kortste werktijdgebied veranderen van 2.5 naar 3.6

#### ► Fig.10

1. Druk meerdere keren op de instelknop totdat op de indicator "Lo" en een cijfer beurtelings weergeeft. Dit geeft de huidige instelling van het kortste werktijdgebied aan.
2. Houd de instelknop ingedrukt tot het cijfer van de eentallen begint te knippen.
3. Stel het cijfer van de eentallen in door kort op de instelknop te drukken. Elke keer wanneer u op de instelknop drukt, geeft de indicator een cijfer weer van "0" tot en met "9" in cyclische volgorde.

4. Houd de instelknop ingedrukt tot het cijfer van de decimaal begint te knippen.
5. Stel het cijfer van de decimaal in door kort op de instelknop te drukken. Elke keer wanneer u op de instelknop drukt, geeft de indicator een cijfer weer van "0" tot en met "9" in cyclische volgorde.
6. Houd de instelknop gedurende enkele seconden ingedrukt.

**OPMERKING:** Wanneer u een waarde lager dan "0.1" instelt voor het kortste werktijdgebied, geeft de indicator "-.-" weer en wordt het kortste werktijdgebied uitgeschakeld. Om "-.-" in te stellen, stelt u de waarde in op "0.9" en drukt u op de instelknop terwijl het cijfer van de eentallen knipt.

## Het langste werktijdgebied veranderen

### U wilt het langste werktijdgebied veranderen van 2.5 naar 3.6

#### ► Fig.11

1. Druk meerdere keren op de instelknop totdat op de indicator "Hi" en een cijfer beurtelings weergeeft. Dit geeft de huidige instelling van het langste werktijdgebied aan.
2. Houd de instelknop ingedrukt tot het cijfer van de eentallen begint te knippen.
3. Stel het cijfer van de eentallen in door kort op de instelknop te drukken. Elke keer wanneer u op de instelknop drukt, geeft de indicator een cijfer weer van "0" tot en met "9" in cyclische volgorde.
4. Houd de instelknop ingedrukt tot het cijfer van de decimaal begint te knippen.
5. Stel het cijfer van de decimaal in door kort op de instelknop te drukken. Elke keer wanneer u op de instelknop drukt, geeft de indicator een cijfer weer van "0" tot en met "9" in cyclische volgorde.
6. Houd de instelknop gedurende enkele seconden ingedrukt.

**OPMERKING:** Wanneer u een waarde hoger dan "9.9" instelt voor het langste werktijdgebied, geeft de indicator "-.-" weer en wordt het langste werktijdgebied uitgeschakeld. Om "-.-" in te stellen, stelt u de waarde in op "9.9" en drukt u op de instelknop terwijl het cijfer van de eentallen knipt.

## Een daadwerkelijke bediening meten (zelfdiagnose)

**KENNISGEVING:** Deze functie is standaard aanwezig. Als u de de veldinstelfunctie op de computer hebt uitgeschakeld, schakelt u deze functie van tevoren in. Raadpleeg de gebruiksaanwijzing van "Makita Industry Tool Settings" voor hoe u kunt configureren.

U kunt het koppelniveau en de werkingsduur van een daadwerkelijke bediening meten door het gereedschap te bedienen. Gemeten koppelniveau en werktijd kunnen worden gebruikt voor bijvoorbeeld:

- Het nabootsen van een koppelregeltechniek van een vakkundige werkman, en
- Een richtlijn voor het instellen van het kortste/langste werktijdbereik.

### Het koppelniveau en de werkingsduur meten

1. Druk meerdere keren op de instelknop totdat op de indicator "Ad." wordt weergegeven.
2. Houd de instelknop ingedrukt totdat op de indicator "Ch" wordt weergegeven.
3. Voer de bediening uit waarvan u de werkingsduur wilt meten.
  - Als u het koppelniveau hebt geconfigureerd, bedient u het gereedschap totdat het stopt in de auto-stop-aandraaifunctie.
  - Als u het koppelniveau niet hebt ingesteld (vrije functie), bedient u het gereedschap al naar gelang noodzakelijk.
4. Controleer de meetresultaten. Druk één keer op de instelknop om het daadwerkelijke koppelniveau weer te geven en druk er nog een keer op om de daadwerkelijke werkingsduur weer te geven. Elke keer wanneer u op de instelknop drukt, geeft de indicator "Ch", de waarde van het daadwerkelijke koppelniveau en de waarde van de daadwerkelijke werkingsduur weer in cyclische volgorde.
5. Houd de instelknop ingedrukt om de zelfdiagnose te verlaten.

**OPMERKING:** De auto-stop-aandraaifunctie werkt zelfs in de zelfdiagnose. Als u het koppelniveau zonder grenswaarde wilt meten, stelt u het koppelniveau in op "FF" (vrije functie) en voert u de bovenstaande procedure uit.

**OPMERKING:** Als "-.-" wordt weergegeven op de indicator, werkte het slagmechanisme niet of is het koppelniveau hoger dan 40. Als "-.-" wordt weergegeven op de indicator, was de werkingsduur langer dan 9,9 seconden.

- In het geval het slagmechanisme niet werkte: Meet het koppelniveau opnieuw met een langere werktijd.
- In het geval het koppelniveau hoger is dan 40: Het gereedschap kan het koppelniveau niet meten. Gebruik een gereedschap met een hoger koppelbereik, indien beschikbaar.
- In het geval de werkingsduur langer was dan 9,9 seconden, is het werktijdbereik niet beschikbaar.

Voorbeeld van een meting:

Als u de volgende instelling configureert, kunt u de status van het gereedschap aflezen.

Voorbeeld 1

Instelling	Instelling op gereedschap	Meetresultaat	Diagnose
Koppelniveau	23	20	Het gereedschap is gestopt bij de instelling van het langste werktijdbereik (3,5 seconden) voordat de instelling van de auto-stop-aandraaifunctie (koppelniveau 23) wordt weergegeven.
Werktijdbereik	kortste: 2,5 seconden langste: 3,5 seconden	3,5	

Voorbeeld 2

Instelling	Instelling op gereedschap	Meetresultaat	Diagnose
Koppelniveau	23	23	Het gereedschap is gestopt bij de instelling van de auto-stop-aandraaifunctie (koppelniveau 23) voordat de instelling van het langste werktijdbereik (3,5 seconden) wordt weergegeven.
Werktijdbereik	kortste: 2,5 seconden langste: 3,5 seconden	3	

## LED-indicator/zoemer

► Fig.12: 1. LED-indicator

De LED-indicator/zoemer op het gereedschap toont de volgende functies.

Alarmcode	Functie	Status van het gereedschap	Status van de LED-indicator/zoemer		Te nemen maatregel
			LED-indicator	Zoemer	
E0	Accu fout aangebracht	Als de accu is aangebracht terwijl de trekkerschakelaar is ingeknepen, stopt het gereedschap om onbedoeld starten te voorkomen.	Knippert beurtelings rood en groen.	Een serie lange pieptonen	Breng de accu aan terwijl de trekkerschakelaar is losgelaten.
E1	Automatisch stoppen	De acculading is laag geworden en het is tijd om de accu te vervangen.	Knippert beurtelings rood en groen.	Een serie lange pieptonen	Vervang de accu door een volledig opgeladen accu.
E2	Anti-reset van controller	De accuspanning is om een of andere reden abnormaal verlaagd en het gereedschap is gestopt.	Knippert beurtelings rood en groen.	Een serie lange pieptonen	Vervang de accu door een volledig opgeladen accu.
E3	Automatisch stoppen met lage resterende acculading	De acculading is bijna opgebruikt en het gereedschap is gestopt.	Brandt rood.	Een lange pieptoon	Vervang de accu door een volledig opgeladen accu.
E4	Overbelastingsbeveiliging	Het gereedschap werd overbelast en is gestopt.	Knippert beurtelings rood en groen.	Een serie lange pieptonen	Hef de oorzaak van de overbelasting op en start het gereedschap opnieuw. Vraag uw plaatselijke Makita-servicecentrum het gereedschap te repareren.
E5	Oververhittingsbeveiliging	De controller in het gereedschap is abnormaal opgewarmd en het gereedschap is gestopt.	Knippert snel rood.	Een serie lange pieptonen	Verwijder onmiddellijk de accu en laat het gereedschap afkoelen.
E6	Motorblokkering	De motor is geblokkeerd. Op dit moment werkt het gereedschap niet.	Knippert beurtelings rood en groen.	Een serie lange pieptonen	Laat de trekkerschakelaar los en knijp hem opnieuw in.
E7	Motorstoring	Het gereedschap heeft een storing in de motor vastgesteld. Op dit moment werkt het gereedschap niet.	Knippert beurtelings rood en groen.	Een serie lange pieptonen	Vraag uw plaatselijke Makita-servicecentrum het gereedschap te repareren.
E8	Schakelaarstoring	Het gereedschap heeft een storing in de schakelaar vastgesteld.	Knippert beurtelings rood en groen.	Een serie lange pieptonen	Vraag uw plaatselijke Makita-servicecentrum het gereedschap te repareren.
E9	Alarm wegens langdurig gebruik	Het gereedschap bleef ingeschakeld gedurende een lange tijd (ongeveer 3 minuten).	Knippert beurtelings rood en groen.	Een lange pieptoon	Laat de trekkerschakelaar los en knijp hem opnieuw in.
-	Automatisch stoppen na voltooiën van bevestiging	Het vooraf ingestelde aandraaimoment is bereikt en het gereedschap is gestopt.	Brandt groen gedurende ongeveer één seconde.	-	-

Alarmcode	Functie	Status van het gereedschap	Status van de LED-indicator/zoemer		Te nemen maatregel
			LED-indicator	Zoemer	
-	Alarm wegens onvoldoende bevestiging	Het vooraf ingestelde aandraaimoment werd niet bereikt omdat de trekkerschakelaar werd losgelaten voordat de bevestiging werd voltooid.	Brandt groen gedurende ongeveer één seconde.	Een lange pieptoon	Draai de bevestiging opnieuw aan.
-	Waarschuwing wegens de grenswaarde van de aandraaicapaciteit	-	Knippert snel rood.	Een serie lange pieptonen	Vervang de accu door een volledig opgeladen accu.
-	Alarm wegens onderhoud	Het vooraf ingestelde aantal keer aandraaien tot het volgende onderhoud is bereikt.	Knippert geel.	-	Reset het alarm met behulp van de applicatiesoftware.
-	Alarm wegens geen communicatie met de computer	Er is geen datacommunicatie terwijl het gereedschap is aangesloten op de computer.	Knippert geel.	-	Start de applicatiesoftware opnieuw op en sluit de USB-kabel opnieuw aan.
-	Aanduiding dat het gereedschap kan communiceren met de computer	Het gereedschap is aangesloten op de computer en in staat ermee te communiceren.	Knippert groen.	-	-
-	Controle van de lamp en zoemer (terwijl de accu is aangebracht)	Het gereedschap voert een werkingstest uit van de LED-indicator (groen/rood), lamp en zoemer.	De LED-indicator brandt eerst groen en daarna rood. Vervolgens gaat de lamp enige tijd branden.	Een serie zeer korte pieptonen	-

## MONTAGE

**⚠ LET OP:** Zorg altijd dat het gereedschap is uitgeschakeld en de accu ervan is verwijderd alvorens enig werk aan het gereedschap uit te voeren.

### Selecteren van de juiste slagdrop

Gebruik altijd de juiste maat slagdrop voor het vastdraaien van bouten en moeren. Het gebruik van een slagdrop met een verkeerde maat zal een onnauwkeurig en onregelmatig aandraaimoment en/of beschadiging van de bout of moer tot gevolg hebben.

### Een slagdrop aanbrengen of verwijderen

#### Optioneel accessoire

**⚠ LET OP:** Zorg ervoor dat de slagdrop en het bevestigingsdeel niet beschadigd zijn voordat u de slagdrop aanbrengt.

**⚠ LET OP:** Nadat u de slagdrop hebt aangebracht, controleert u of deze stevig vast zit. Als deze eraf komt, mag u hem niet gebruiken.

**OPMERKING:** De manier waarop de slagdrop wordt aangebracht verschilt afhankelijk van het type vierkante aandrijfkop van het gereedschap.

### Gereedschap met een ringveer

#### Voor een slagdrop zonder O-ring en pen

► Fig.13: 1. Slagdrop 2. Vierkante aandrijfkop 3. Ringveer

Duw de slagdrop op de vierkante aandrijfkop tot hij op zijn plaats wordt vergrendeld.

Om de slagdrop te verwijderen, trekt u deze gewoon eraf.

#### Voor een slagdrop met O-ring en pen

► Fig.14: 1. Slagdrop 2. O-ring 3. Pen

Verwijder de O-ring uit de groef in de slagdrop en verwijder daarna de pen uit de slagdrop. Plaats de slagdrop op de vierkante aandrijfkop zodat het gat in de slagdrop is uitgelijnd met het gat in de vierkante aandrijfkop.

Steek de pen door het gat in de slagdrop en het gat in de vierkante aandrijfkop. Breng daarna de O-ring weer op zijn oorspronkelijke plaats in de groef in de slagdrop aan, zodat de pen op zijn plaats wordt gehouden.

Om de slagdrop te verwijderen, voert u deze procedure in omgekeerde volgorde uit.

## Gereedschap met een arrêteerpen

- **Fig.15:** 1. Slagdrop 2. Gat 3. Vierkante aandrijfkop  
4. Arrêteerpen

Lijn het gat in de zijkant van de slagdrop uit met de arrêteerpen op de vierkante aandrijfkop en druk de slagdrop op de vierkante aandrijfkop totdat die op zijn plaats vastklikt. Indien nodig licht aantikken.

Om de slagdrop te verwijderen, trekt u deze gewoon eraf. Als deze moeilijk kan worden verwijderd, drukt u de arrêteerpen in terwijl u aan de slagdrop trekt.

### De haak aanbrengen

#### Optioneel accessoire

De haak is handig om het gereedschap aan op te hangen. Breng de haak aan in de gaten in de behuizing van het gereedschap.

- **Fig.16:** 1. Haak 2. Gat

## BEDIENING

**⚠ LET OP:** Druk de accu altijd stevig aan totdat die op zijn plaats vastklikt. Wanneer het rode deel aan de bovenkant van de knop nog zichtbaar is, zit de accu er nog niet helemaal in. Schuif hem er helemaal in totdat het rode deel niet meer zichtbaar is. Als u dit nalaat, zou de accu uit het gereedschap kunnen vallen en uzelf of anderen kunnen verwonden.

**⚠ LET OP:** Houd het gereedschap stevig vast en plaats de slagdrop over de bout of moer. Schakel het gereedschap in en draai vast gedurende de juiste aandraaitijd.

**⚠ LET OP:** Als u het gereedschap onafgebroken hebt gebruikt totdat de accu helemaal leeg is, laat u het gereedschap eerst 15 minuten rusten voordat u doorgaat met een andere accu.

**⚠ LET OP:** Het boren zal niet sneller verlopen als u hard op het gereedschap drukt. In feite zal dergelijk hard drukken alleen maar leiden tot beschadiging van het boorbit, lagere prestaties van het gereedschap en een kortere levensduur van het gereedschap.

**⚠ LET OP:** Zet het werkstuk altijd vast in een bankschroef of soortgelijke klemvoorziening.

- **Fig.17**

Het juiste aandraaimoment kan verschillen afhankelijk van het soort en de maat van de bout, het materiaal van het te bevestigen werkstuk, enz.

**KENNISGEVING:** Voor het vastdraaien van kleine bouten, regelt u de druk op de trekkerschakelaar zorgvuldig zodat de bout niet beschadigd wordt.

**KENNISGEVING:** Houd het gereedschap recht voor de bout of moer.

**KENNISGEVING:** Een buitensporig hoog aandraaimoment kan de bout/moer of slagdrop beschadigen. Voordat u aan het werk gaat, dient u altijd even proef te draaien, om de juiste aandraaitijd voor uw bout of moer te bepalen.

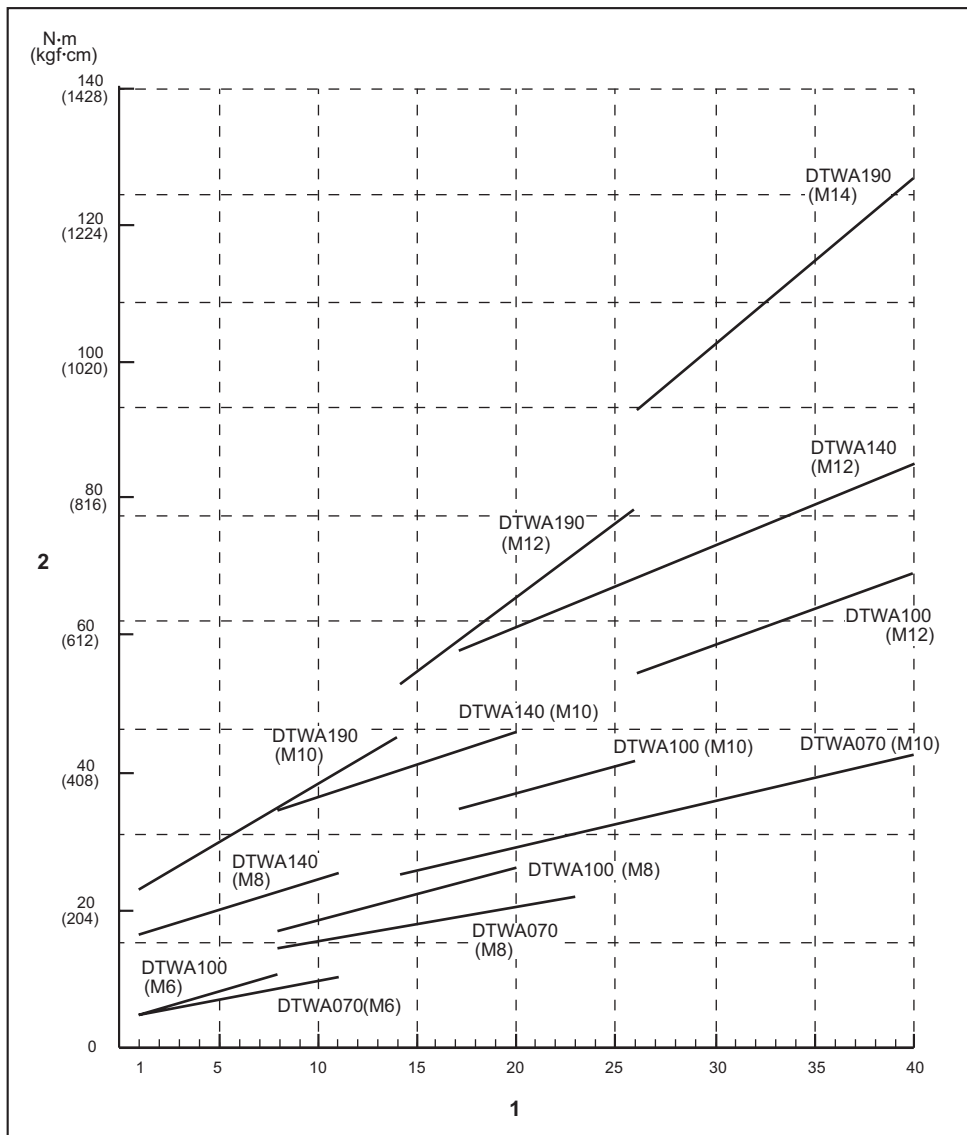
Het aandraaimoment wordt beïnvloed door een groot aantal verschillende factoren, waaronder de volgende. Controleer na het vastdraaien altijd het aandraaimoment met een momentsleutel.

1. Wanneer de accu bijna leeg is, neemt de spanning af en vermindert het aandraaimoment.
2. Slagdrop
  - Het gebruik van een slagdrop van een verkeerde maat zal resulteren in een lager aandraaimoment.
  - Een versleten slagdrop (slijtage aan het zeskantig of vierkante uiteinde) zal resulteren in een lager aandraaimoment.
3. Bout
  - Zelfs wanneer het koppelcoëfficiënt overeenkomt met de boutklasse, hangt het juiste aandraaimoment af van de boutdiameter.
  - Zelfs wanneer de boutdiameters gelijk zijn, hangt het juiste aandraaimoment af van het koppelcoëfficiënt, de boutklasse en de boutlengte.
4. Door het gebruik van een universeelkoppeling of verlengstuk zal de aandraaikracht van de slagmoersleutel iets lager zijn. Hiervoor kunt u compenseren door wat langer aan te draaien.
5. De manier van vasthouden van het gereedschap en de positie waar de schroef in het materiaal wordt gedraaid, hebben een invloed op het aandraaimoment.
6. Bij lagere toerentallen wordt ook het aandraaimoment kleiner.

# Aandraaimoment en koppelniveau

**OPMERKING:** Deze referentiewaarde wordt gemeten onder de meetomstandigheden die door Makita wordt gespecificeerd.

**OPMERKING:** De werkelijke waarde kan verschillen afhankelijk van de eigenschappen van de bevestigingsmiddelen, materialen en bevestigingsmethode. Voer een proefbevestiging uit voorafgaand aan de eigenlijke werkzaamheden.



1. Koppelniveau 2. Aandraaimoment

## ONDERHOUD

**⚠ LET OP:** Zorg altijd dat het gereedschap is uitgeschakeld en de accu ervan is verwijderd alvorens te beginnen met onderhoud of inspectie.

**KENNISGEVING:** Gebruik nooit benzine, wasbenzine, thinner, alcohol en dergelijke. Hierdoor kunnen verkleuring, vervormingen en barsten worden veroorzaakt.

Om de VEILIGHEID en BETROUWBAARHEID van het gereedschap te handhaven, dienen alle reparaties, onderhoud of afstellingen te worden uitgevoerd bij een erkend Makita-servicecentrum of de Makita-fabriek, en altijd met gebruik van Makita-vervangingsonderdelen.

## OPTIONELE ACCESSOIRES

**⚠ LET OP:** Deze accessoires of hulpstukken worden aanbevolen voor gebruik met het Makita gereedschap dat in deze gebruiksaanwijzing is beschreven. Bij gebruik van andere accessoires of hulpstukken bestaat het gevaar van persoonlijke letsel. Gebruik de accessoires of hulpstukken uitsluitend voor hun bestemde doel.

Wenst u meer bijzonderheden over deze accessoires, neem dan contact op met het plaatselijke Makita-servicecentrum.

- Haak
- Beschermer (blauw, rood, geel, groen, doorzichtig)
- Accubeschermer voor BL1460A
- Accubeschermer voor BL1415NA
- Originele Makita-accu en -acculader
- USB-kabel

**OPMERKING:** Sommige items op de lijst kunnen zijn inbegrepen in de doos van het gereedschap als standaard toebehoren. Deze kunnen van land tot land verschillen.

## ESPECIFICACIONES

Modelo:		DTWA070	DTWA100	DTWA140	DTWA190
Capacidades de apriete	Perno estándar	M5 - M12		M6 - M16	M8 - M16
	Perno de gran resistencia a la tracción	M5 - M10		M6 - M12	M8 - M14
Par de apriete máximo		65 N•m	95 N•m	140 N•m	185 N•m
Rango de par de apriete		Aprox. 5 - 40 N•m	Aprox. 6 - 65 N•m	Aprox. 18 - 80 N•m	Aprox. 25 - 125 N•m
Eje cuadrado		9,5 mm		12,7 mm	
Velocidad sin carga (RPM)		0 - 2.500 min <sup>-1</sup>	0 - 2.700 min <sup>-1</sup>		0 - 2.600 min <sup>-1</sup>
Impactos por minuto		0 - 3.700 min <sup>-1</sup>	0 - 3.300 min <sup>-1</sup>		0 - 3.000 min <sup>-1</sup>
Longitud total		144 mm	151 mm	158 mm	
Tensión nominal		CC 14,4 V			
Peso neto		1,1 - 1,4 kg	1,2 - 1,4 kg	1,2 - 1,5 kg	1,3 - 1,6 kg
Cable USB aplicable		661432-2			

- Debido a nuestro continuado programa de investigación y desarrollo, las especificaciones aquí dadas están sujetas a cambios sin previo aviso.
- Las especificaciones pueden ser diferentes de país a país.
- El peso puede variar dependiendo del accesorio(s), incluyendo el cartucho de batería. La combinación menos pesada y la más pesada, de acuerdo con el procedimiento EPTA 01/2014, se muestran en la tabla.

### Cartucho de batería y cargador aplicables

Cartucho de batería	BL1415N / BL1415NA / BL1430B / BL1440 / BL1460A / BL1460B
Cargador	DC18RC / DC18RD / DC18RE / DC18SD / DC18SE / DC18SF / DC18SH

- Algunos de los cartuchos de batería y cargadores indicados arriba puede que no estén disponibles dependiendo de su región de residencia.

**⚠ADVERTENCIA:** Utilice solamente los cartuchos de batería y cargadores listados arriba. La utilización de cualquier otro cartucho de batería y cargador puede ocasionar heridas y/o un incendio.

### Uso previsto

La herramienta ha sido prevista para apretar pernos y tuercas.

### Ruido

El nivel de ruido A-ponderado típico determinado de acuerdo con la norma EN62841-2-2:

#### Modelo DTWA070

Nivel de presión sonora ( $L_{pA}$ ): 92 dB (A)  
 Nivel de potencia sonora ( $L_{WA}$ ): 103 dB (A)  
 Error (K): 3 dB (A)

#### Modelo DTWA100

Nivel de presión sonora ( $L_{pA}$ ): 93 dB (A)  
 Nivel de potencia sonora ( $L_{WA}$ ): 104 dB (A)  
 Error (K): 3 dB (A)

#### Modelo DTWA140

Nivel de presión sonora ( $L_{pA}$ ): 96 dB (A)  
 Nivel de potencia sonora ( $L_{WA}$ ): 107 dB (A)  
 Error (K): 3 dB (A)

#### Modelo DTWA190

Nivel de presión sonora ( $L_{pA}$ ): 95 dB (A)  
 Nivel de potencia sonora ( $L_{WA}$ ): 106 dB (A)  
 Error (K): 3 dB (A)

**NOTA:** El valor (o los valores) de emisión de ruido declarado ha sido medido de acuerdo con un método de prueba estándar y se puede utilizar para comparar una herramienta con otra.

**NOTA:** El valor (o valores) de emisión de ruido declarado también se puede utilizar en una valoración preliminar de exposición.

**⚠ADVERTENCIA:** Póngase protectores para oídos.

**⚠ADVERTENCIA:** La emisión de ruido durante la utilización real de la herramienta eléctrica puede variar del valor (o los valores) de emisión declarado dependiendo de las formas en las que la herramienta sea utilizada, especialmente qué tipo de pieza de trabajo se procesa.

**⚠ADVERTENCIA:** Asegúrese de identificar medidas de seguridad para proteger al operario que estén basadas en una estimación de la exposición en las condiciones reales de utilización (teniendo en cuenta todas las partes del ciclo operativo como las veces cuando la herramienta está apagada y cuando está funcionando en vacío además del tiempo de gatillo).



## Vibración

El valor total de la vibración (suma de vectores triaxiales) determinado de acuerdo con la norma EN62841-2-2:

### Modelo DTWA070

Modo de trabajo: apretado por impacto de tornillos de la máxima capacidad de la herramienta

Emisión de vibración ( $a_h$ ): 9,0 m/s<sup>2</sup>

Error (K): 1,5 m/s<sup>2</sup>

### Modelo DTWA100

Modo de trabajo: apretado por impacto de tornillos de la máxima capacidad de la herramienta

Emisión de vibración ( $a_h$ ): 8,5 m/s<sup>2</sup>

Error (K): 1,5 m/s<sup>2</sup>

### Modelo DTWA140

Modo de trabajo: apretado por impacto de tornillos de la máxima capacidad de la herramienta

Emisión de vibración ( $a_h$ ): 10,0 m/s<sup>2</sup>

Error (K): 1,5 m/s<sup>2</sup>

### Modelo DTWA190

Modo de trabajo: apretado por impacto de tornillos de la máxima capacidad de la herramienta

Emisión de vibración ( $a_h$ ): 10,5 m/s<sup>2</sup>

Error (K): 1,5 m/s<sup>2</sup>

**NOTA:** El valor (o los valores) total de emisión de vibración declarado ha sido medido de acuerdo con un método de prueba estándar y se puede utilizar para comparar una herramienta con otra.

**NOTA:** El valor (o los valores) total de emisión de vibración declarado también se puede utilizar en una valoración preliminar de exposición.

**⚠ADVERTENCIA:** La emisión de vibración durante la utilización real de la herramienta eléctrica puede variar del valor (o los valores) de emisión declarado dependiendo de las formas en las que la herramienta sea utilizada, especialmente qué tipo de pieza de trabajo se procesa.

**⚠ADVERTENCIA:** Asegúrese de identificar medidas de seguridad para proteger al operario que estén basadas en una estimación de la exposición en las condiciones reales de utilización (teniendo en cuenta todas las partes del ciclo operativo como las veces cuando la herramienta está apagada y cuando está funcionando en vacío además del tiempo de gatillo).

## Declaración CE de conformidad

### Para países europeos solamente

La declaración CE de conformidad está incluida como Anexo A de esta manual de instrucciones.

## ADVERTENCIAS DE SEGURIDAD

### Advertencias de seguridad para herramientas eléctricas en general

**⚠ADVERTENCIA:** Lea todas las advertencias de seguridad, instrucciones, ilustraciones y especificaciones provistas con esta herramienta eléctrica. Si no sigue todas las instrucciones indicadas abajo podrá resultar en una descarga eléctrica, un incendio y/o heridas graves.

### Guarde todas las advertencias e instrucciones para futuras referencias.

El término "herramienta eléctrica" en las advertencias se refiere a su herramienta eléctrica de funcionamiento con conexión a la red eléctrica (con cable) o herramienta eléctrica de funcionamiento a batería (sin cable).

### Advertencias de seguridad para la llave de impacto inalámbrica

1. **Sujete la herramienta eléctrica por las superficies de asiento aisladas cuando realice una operación en la que el tornillo pueda entrar en contacto con cableado oculto.** El contacto del tornillo con un cable con corriente hará que la corriente circule por las partes metálicas expuestas de la herramienta eléctrica y podrá soltar una descarga eléctrica al operario.
2. **Utilice protectores de oídos.**
3. **Compruebe el manguito de impacto con cuidado por si está desgastado, agrietado o dañado antes de instalarlo.**
4. **Sujete la herramienta firmemente.**
5. **Mantenga las manos alejadas de las partes giratorias.**
6. **No toque el manguito de impacto, el perno, la tuerca o la pieza de trabajo inmediatamente después de la operación.** Podrán estar muy calientes y podrían quemarle la piel.
7. **Asegúrese siempre de apoyar los pies firmemente.**  
Asegúrese de que no haya nadie debajo cuando esté utilizando la herramienta en lugares altos.
8. **El par de apriete apropiado podrá variar en función del tipo o tamaño del perno.** Compruebe el par de apriete con una llave dinamométrica.
9. **Asegúrese de que no hay cables eléctricos, tuberías de agua, tuberías de gas, etc., que puedan ocasionar un riesgo si se dañan al utilizar la herramienta.**

## GUARDE ESTAS INSTRUCCIONES.

**⚠ADVERTENCIA:** NO deje que la comodidad o familiaridad con el producto (a base de utilizarlo repetidamente) sustituya la estricta observancia de las normas de seguridad para el producto en cuestión.

El MAL USO o el no seguir las normas de seguridad establecidas en este manual de instrucciones podrá ocasionar graves heridas personales.

## Instrucciones de seguridad importantes para el cartucho de batería

1. Antes de utilizar el cartucho de batería, lea todas las instrucciones e indicaciones de precaución sobre (1) el cargador de baterías, (2) la batería, y (3) el producto con el que se utiliza la batería.
2. No desensamble ni manipule el cartucho de batería. Podrá resultar en un incendio, calor excesivo, o una explosión.
3. Si el tiempo de uso se acorta demasiado, cese la operación inmediatamente. Podría resultar en un riesgo de recalentamiento, posibles quemaduras e incluso una explosión.
4. Si entra electrolito en sus ojos, aclárelos con agua limpia y acuda a un médico inmediatamente. Existe el riesgo de poder perder la vista.
5. No cortocircuite el cartucho de batería:
  - (1) No toque los terminales con ningún material conductor.
  - (2) Evite guardar el cartucho de batería en un cajón junto con otros objetos metálicos, como clavos, monedas, etc.
  - (3) No esponga el cartucho de batería al agua ni a la lluvia.

Un cortocircuito en la batería puede producir una gran circulación de corriente, un recalentamiento, posibles quemaduras e incluso una rotura de la misma.

6. No guarde ni utilice la herramienta y el cartucho de batería en lugares donde la temperatura pueda alcanzar o exceder los 50 °C.
7. Nunca incinere el cartucho de batería incluso en el caso de que esté dañado seriamente o ya no sirva en absoluto. El cartucho de batería puede explotar si se tira al fuego.
8. No clave, corte, aplaste, lance, deje caer el cartucho de batería, ni golpee contra un objeto duro el cartucho de batería. Tal conducta podrá resultar en un incendio, calor excesivo, o una explosión.
9. No utilice una batería dañada.
10. Las baterías de litio-ion contenidas están sujetas a los requisitos de la Legislación para Materiales Peligrosos.

Para transportes comerciales, p.ej., por terceras personas y agentes de transportes, se deberán observar requisitos especiales para el empaquetado y etiquetado. Para la preparación del artículo que se va a enviar, se requiere consultar con un experto en materiales peligrosos. Por favor, observe también la posibilidad de reglamentos nacionales más detallados. Cubra con cinta aislante o enmascare los contactos expuestos y empaquete la batería de tal manera que no se pueda mover alrededor dentro del embalaje.

11. Para desechar el cartucho de batería, retírelo de la herramienta y deséchelo en un lugar seguro. Siga los reglamentos locales referentes al desecho de la batería.
12. Utilice las baterías solamente con los productos especificados por Makita. La instalación de las baterías en productos no compatibles puede resultar en un incendio, calor excesivo, explosión, o fuga de electrolito.
13. Si la herramienta no va a ser utilizada durante un periodo de tiempo largo, la batería deberá ser retirada de la herramienta.
14. Durante y después de la utilización, el cartucho de batería podrá acumular calor, lo cual puede ocasionar quemaduras o quemaduras de baja temperatura. Preste atención al manejo de cartuchos de batería calientes.
15. No toque el terminal de la herramienta inmediatamente después de utilizar, dado que puede calentarse lo suficiente como para ocasionar quemaduras.
16. No permita que virutas, polvo, o tierra se adhieran dentro de los terminales, orificios, y ranuras del cartucho de batería. Podría resultar en un mal rendimiento o rotura de la herramienta o el cartucho de batería.
17. A menos que la herramienta pueda utilizarse cerca de cables eléctricos de alta tensión, no utilice el cartucho de batería cerca de cables eléctricos de alta tensión. Podrá resultar en un mal funcionamiento o rotura de la herramienta o el cartucho de batería.
18. Mantenga la batería alejada de los niños.

## GUARDE ESTAS INSTRUCCIONES.

**⚠PRECAUCIÓN:** Utilice solamente baterías genuinas de Makita. La utilización de baterías no genuinas de Makita, o baterías que han sido alteradas, puede resultar en una explosión de la batería ocasionando incendios, heridas personales y daños. También anulará la garantía de Makita para la herramienta y el cargador de Makita.

## Consejos para alargar al máximo la vida de servicio de la batería

1. Cargue el cartucho de batería antes de que se descargue completamente. Detenga siempre la operación y cargue el cartucho de batería cuando note menos potencia en la herramienta.
2. No cargue nunca un cartucho de batería que esté completamente cargado. La sobrecarga acortará la vida de servicio de la batería.
3. Cargue el cartucho de batería a temperatura ambiente de 10 °C - 40 °C. Si un cartucho de batería está caliente, déjelo enfriar antes de cargarlo.
4. Cuando no esté utilizando el cartucho de batería, retírelo de la herramienta o del cargador.
5. Cargue el cartucho de batería si no lo utiliza durante un periodo de tiempo prolongado (más de seis meses).

## DESCRIPCIÓN DEL FUNCIONAMIENTO

**⚠️ PRECAUCIÓN:** Asegúrese siempre de que la herramienta esté apagada y el cartucho de batería retirado antes de realizar cualquier ajuste o comprobación en la herramienta.

### Instalación o extracción del cartucho de batería

**⚠️ PRECAUCIÓN:** Apague siempre la herramienta antes de instalar o retirar el cartucho de batería.

**⚠️ PRECAUCIÓN:** Sujete la herramienta y el cartucho de batería firmemente cuando instale o retire el cartucho de batería. Si no sujeta la herramienta y el cartucho de batería firmemente podrán caérsele de las manos y resultar en daños a la herramienta y al cartucho de batería y heridas personales.

► Fig.1: 1. Indicador rojo 2. Botón 3. Cartucho de batería

Para retirar el cartucho de batería, deslícelo de la herramienta mientras desliza el botón de la parte frontal del cartucho.

Para instalar el cartucho de batería, alinee la lengüeta del cartucho de batería con la ranura del alojamiento y deslícelo al interior hasta encajarlo en su sitio. Insértelo por completo hasta que se bloquee en su sitio con un pequeño chasquido. Si puede ver el indicador rojo como se muestra en la figura, no estará bloqueado completamente.

**⚠️ PRECAUCIÓN:** Instale siempre el cartucho de batería completamente hasta que no pueda verse el indicador rojo. En caso contrario, podrá caerse accidentalmente de la herramienta y ocasionarle heridas a usted o a alguien que esté cerca de usted.

**⚠️ PRECAUCIÓN:** No instale el cartucho de batería empleando fuerza. Si el cartucho no se desliza al interior fácilmente, será porque no está siendo insertado correctamente.

### Sistema de protección de la herramienta / batería

La herramienta está equipada con un sistema de protección de la herramienta/batería. Este sistema corta automáticamente la alimentación al motor para alargar la vida de servicio de la herramienta y la batería. La herramienta se detendrá automáticamente durante la operación si la herramienta o la batería es puesta en una de las condiciones siguientes:

#### Protección contra sobrecarga

Cuando la batería sea operada de manera que le haga extraer una corriente anormalmente alta, la herramienta se detendrá automáticamente sin ninguna indicación. En esta situación, apague la herramienta y detenga la aplicación que ocasiona la sobrecarga de la herramienta. Después encienda la herramienta para volver a empezar.

#### Protección contra el recalentamiento

Cuando la herramienta/batería se recalienta, la herramienta se detiene automáticamente. En esta situación, deje que la herramienta/batería se enfríe antes de encender la herramienta otra vez.

#### Protección contra descarga excesiva

Cuando la capacidad de batería no es suficiente, la herramienta se detiene automáticamente. En este caso, retire la batería de la herramienta y cargue la batería.

### Comprobación de la capacidad de batería restante (BL1460A)

► Fig.2: 1. Lámparas indicadoras 2. Botón de comprobación

**NOTA:** Dependiendo de las condiciones de utilización y de la temperatura ambiente, la indicación podrá variar ligeramente de la capacidad real.

#### Cuando se está cargando

Cuando comienza la carga, la primera lámpara de indicación (extremo izquierdo) comienza a parpadear. Después, a medida que prosigue la carga, las otras lámparas se iluminan, una tras otra, para indicar la capacidad de batería.

**NOTA:** Si la lámpara de indicación no se enciende o parpadea cuando se está cargando, es posible que la batería esté defectuosa. En este caso, pregunte al centro de servicio local.

#### Cuando se está utilizando

Cuando se enciende la herramienta, las lámparas se iluminan para indicar la capacidad de batería restante. Cuando se apaga la herramienta, la luz se apaga después de aproximadamente 5 segundos. Cuando se presiona el botón de comprobación con la herramienta apagada, las lámparas de indicación se encienden durante aproximadamente 5 segundos para mostrar la capacidad de batería.

Si la lámpara naranja parpadea, la herramienta se detendrá debido a la poca capacidad de batería restante (Mecanismo de parada automática). En este momento, cargue el cartucho de batería o utilice un cartucho de batería cargado. Cuando la herramienta sea usada con una batería que no ha sido utilizada durante largo tiempo y sea puesta en marcha, es posible que no se ilumine ninguna lámpara. En este momento, la herramienta se detendrá debido a la poca capacidad de batería restante. Cargue la batería debidamente.

### Accionamiento del interruptor

► Fig.3: 1. Gatillo interruptor

**⚠️ PRECAUCIÓN:** Antes de insertar el cartucho de batería en la herramienta, compruebe siempre para cerciorarse de que el gatillo interruptor se acciona debidamente y que vuelve a la posición "OFF" cuando lo suelta.

Para poner en marcha la herramienta, simplemente apriete el gatillo interruptor. La velocidad de la herramienta aumenta incrementando la presión en el gatillo interruptor. Suelte el gatillo interruptor para parar.

**NOTA:** La herramienta se parará automáticamente si sigue apretando el gatillo interruptor durante unos 3 minutos.

## Encendido de la lámpara delantera

► **Fig.4:** 1. Lámpara

**⚠PRECAUCIÓN:** No mire a la luz ni vea la fuente de luz directamente.

Apriete el gatillo interruptor para encender la lámpara. La lámpara seguirá encendida mientras el gatillo interruptor esté siendo apretado. La lámpara se apagará 10 segundos aproximadamente después de soltar el gatillo interruptor.

**NOTA:** Utilice un paño seco para quitar la suciedad de la lente de la lámpara. Tenga cuidado de no rayar la lente de la lámpara, porque podrá disminuir la iluminación.

## Accionamiento del interruptor inversor

► **Fig.5:** 1. Palanca del interruptor inversor

**⚠PRECAUCIÓN:** Confirme siempre la dirección de giro antes de la operación.

**⚠PRECAUCIÓN:** Utilice el interruptor inversor solamente después de que la herramienta se haya parado completamente. Si cambia la dirección de giro antes de que la herramienta se haya parado podrá dañarla.

**⚠PRECAUCIÓN:** Cuando no esté utilizando la herramienta, ponga siempre la palanca del interruptor inversor en la posición neutral.

Esta herramienta tiene un interruptor inversor para cambiar la dirección de giro. Presione hacia dentro la palanca del interruptor inversión del lado A para giro hacia la derecha o del lado B para giro hacia la izquierda.

Cuando la palanca del interruptor inversor está en la posición neutral, el gatillo interruptor no se puede apretar.

## Cambio del ajuste de parámetro en el ordenador

Puede configurar detalladamente el ajuste de la herramienta con el software de aplicación "Configuración de Herramientas Industriales Makita". Instale el software de aplicación en el ordenador y conecte la herramienta al ordenador con un cable USB. Consulte el manual de instrucciones de "Configuración de Herramientas Industriales Makita" para ver detalles sobre la configuración.

► **Fig.6:** 1. Puerto USB 2. Tapa USB 3. Cable USB

**AVISO:** Asegúrese de que la tapa USB está cerrada cuando realice un apriete.

**NOTA:** Cuando la palanca del interruptor inversor se presiona hacia dentro para giro hacia la derecha, el indicador muestra el ajuste de giro hacia la derecha.

Cuando la palanca del interruptor inversor se presiona hacia dentro para giro hacia la izquierda, el indicador muestra el ajuste de giro hacia la izquierda.

**NOTA:** Utilice el número predeterminado como guía. Para mantener el par de apriete, el número de impactos cambia automáticamente de acuerdo con la capacidad de batería restante.

**NOTA:** Utilice el cable USB genuino de Makita para conectar su ordenador a la herramienta. Consulte la sección "ESPECIFICACIONES".

**NOTA:** Para el software de aplicación, por favor, póngase en contacto con el representante de ventas de Makita.

## Cambio del ajuste de parámetro en la herramienta (Modo de ajuste en obra)

**AVISO:** Esta función está disponible de manera predeterminada. Si ha inhabilitado el modo de ajuste en obra en el ordenador, habilite esta función de antemano. Consulte el manual de instrucciones de "Configuración de Herramientas Industriales Makita" para ver cómo se hace la configuración.

**AVISO:** Si el modo de ajuste en obra está inhabilitado, la posibilidad de hacer ajustes en la herramienta no estará disponible. Cuando presione el botón de ajuste, los valores ajustados en la herramienta se visualizarán en orden.

El número del ajuste actual se visualiza en el indicador.

Cada vez que presione el botón de ajuste, el indicador mostrará el nivel del par de apriete, el nivel de reducción, el rango de tiempo utilizable, y "Ad".

► **Fig.7:** 1. Botón de ajuste 2. Indicador

Puede cambiar los ajustes de parámetro siguientes en la herramienta:

- Ajuste de parada automática/Modo libre

Elemento de ajuste	Visualización en el indicador	Descripción
Nivel de par de apriete	01 - 40 FF OP	El nivel de par de apriete en el que funciona el modo de parada automática del apriete
Nivel de reducción	L1 - L7 OP	La sensibilidad del asentamiento del fijador
Rango de tiempo utilizable	Lo: 0.1 - 9.9 Hi: 0.1 - 9.9 --	La duración más corta/más larga del giro cuando continúa apretando el gatillo interruptor.

**AVISO:** Si se visualiza "OP" (Modo de parada automática del aflojamiento) en el indicador, el ajuste de nivel de par de apriete y el nivel de reducción no estarán disponibles. En este caso, cambie el modo a modo de parada automática del apriete, y después ajuste el nivel de par de apriete y el nivel de reducción en el ordenador utilizando "Configuración de Herramientas Industriales Makita".

## Cambio del nivel de par de apriete

Quando cambie el nivel de par de apriete de 23 a 34

► Fig.8

1. Presione el botón de ajuste varias veces hasta que el indicador muestre un número de 2 dígitos que representa el ajuste actual del nivel de par de apriete.
2. Mantenga presionado el botón de ajuste hasta que el número en el lugar de las decenas comience a parpadear.
3. Ajuste el número en el lugar de las decenas presionando el botón de ajuste brevemente. Cada vez que presione el botón de ajuste, el indicador mostrará el número de "0" a "4" y "F" en un ciclo.
4. Mantenga presionado el botón de ajuste hasta que el número en el lugar de las unidades comience a parpadear.
5. Ajuste el número en el lugar de las unidades presionando el botón de ajuste brevemente. Cada vez que presione el botón de ajuste, el indicador mostrará el número de "0" a "9" y "F" en un ciclo.
6. Mantenga presionado el botón de ajuste durante unos pocos segundos.

**NOTA:** Si no está seguro de qué nivel de par de apriete es apropiado para su trabajo, ajuste "FF" para que la herramienta funcione en el modo libre.

**NOTA:** Si introduce "00", se visualizará "FF" en lugar de "00".

## Cambio del nivel de reducción

Quando cambie el nivel de reducción de L1 a L2

► Fig.9

1. Presione el botón de ajuste varias veces hasta que el indicador muestre 2 caracteres comenzando con "L" seguido de un número. Esto representa el ajuste actual del nivel de reducción.
2. Mantenga presionado el botón de ajuste hasta que el indicador comience a parpadear.
3. Ajuste el nivel de reducción. Cada vez que presione el botón de ajuste, el indicador mostrará de "L1" a "L7" en un ciclo. El nivel de reducción más bajo es "L1" y "L7" es el más alto.
4. Mantenga presionado el botón de ajuste durante unos pocos segundos.

## Cambio del rango de tiempo utilizable más corto

Quando cambie el rango de tiempo utilizable más corto de 2.5 a 3.6

► Fig.10

1. Presione el botón de ajuste varias veces hasta que el indicador muestre "Lo" y un número alternativamente. Esto representa el ajuste actual del rango de tiempo utilizable más corto.

2. Mantenga presionado el botón de ajuste hasta que el número en el lugar de las unidades comience a parpadear.
3. Ajuste el número en el lugar de las unidades presionando el botón de ajuste brevemente. Cada vez que presione el botón de ajuste, el indicador mostrará el número de "0" a "9" en un ciclo.
4. Mantenga presionado el botón de ajuste hasta que el número en el lugar decimal comience a parpadear.
5. Ajuste el número en el lugar decimal presionando el botón de ajuste brevemente. Cada vez que presione el botón de ajuste, el indicador mostrará el número de "0" a "9" en un ciclo.
6. Mantenga presionado el botón de ajuste durante unos pocos segundos.

**NOTA:** Cuando ajuste un valor menor de "0.1" para el rango de tiempo utilizable más corto, el indicador mostrará "-.-" y el rango de tiempo utilizable más corto quedará inhabilitado. Para introducir "-.-", ajuste el valor a "0.9", y después presione el botón de ajuste cuando el número en el lugar de las unidades comience a parpadear.

## Cambio del rango de tiempo utilizable más largo

Quando cambie el rango de tiempo utilizable más largo de 2.5 a 3.6

► Fig.11

1. Presione el botón de ajuste varias veces hasta que el indicador muestre "Hi" y un número alternativamente. Esto representa el ajuste actual del rango de tiempo utilizable más largo.
2. Mantenga presionado el botón de ajuste hasta que el número en el lugar de las unidades comience a parpadear.
3. Ajuste el número en el lugar de las unidades presionando el botón de ajuste brevemente. Cada vez que presione el botón de ajuste, el indicador mostrará el número de "0" a "9" en un ciclo.
4. Mantenga presionado el botón de ajuste hasta que el número en el lugar decimal comience a parpadear.
5. Ajuste el número en el lugar decimal presionando el botón de ajuste brevemente. Cada vez que presione el botón de ajuste, el indicador mostrará el número de "0" a "9" en un ciclo.
6. Mantenga presionado el botón de ajuste durante unos pocos segundos.

**NOTA:** Cuando ajuste un valor mayor de "9.9" para el rango de tiempo utilizable más largo, el indicador mostrará "-.-" y el rango de tiempo utilizable más largo quedará inhabilitado. Para introducir "-.-", ajuste el valor a "9.9", y después presione el botón de ajuste cuando el número en el lugar de las unidades comience a parpadear.

## Medición de una operación actual (Autodiagnóstico)

**AVISO:** Esta función está disponible de manera predeterminada. Si ha inhabilitado el modo de ajuste en obra en el ordenador, habilite esta función de antemano. Consulte el manual de instrucciones de "Configuración de Herramientas Industriales Makita" para ver cómo se hace la configuración.

Puede medir el nivel de par de apriete y el tiempo de operación de una operación actual haciendo funcionar la herramienta. El nivel de par de apriete y el tiempo medidos se pueden utilizar para cosas como;

- Reproducir una técnica de control del par de apriete de un trabajador bien cualificado y;
- Una referencia de tiempo para el ajuste del rango de tiempo utilizable más corto/más largo.

### Medición del nivel de par de apriete y del tiempo de operación

1. Presione el botón de ajuste varias veces hasta que se visualice "Ad." en el indicador.
2. Mantenga presionado el botón de ajuste hasta que el indicador muestre "Ch".
3. Realice la operación cuyo tiempo de operación quiera medir.
  - Si ha configurado el nivel de par de apriete, haga funcionar la herramienta hasta que se detenga en el modo de parada automática del apriete.
  - Si no ha configurado el nivel de par de apriete (Modo libre), haga funcionar la herramienta según sea necesario.
4. Compruebe el resultado medido. Presione el botón de ajuste una vez para visualizar el nivel de par de apriete actual, y presiónelo otra vez para visualizar el tiempo de operación actual. Cada vez que presione el botón de ajuste, el indicador mostrará "Ch", el número del nivel de par de apriete actual, y el número de tiempo de operación actual en un ciclo.
5. Mantenga presionado el botón de ajuste para salir del autodiagnóstico.

**NOTA:** El modo de parada automática del apriete funciona incluso en el autodiagnóstico. Si quiere medir el nivel de par de apriete sin limitación, ajuste el nivel de par de apriete "FF" (Modo libre) y realice los procedimientos de arriba.

**NOTA:** Si se visualiza "-." en el indicador, el impacto no habrá funcionado o el nivel de par de apriete es más alto que 40. Si se visualiza "-.-" en el indicador, el tiempo de operación excede de 9,9 segundos.

- En caso de que el impacto no haya funcionado: Vuelva a medir el nivel de par de apriete con un tiempo utilizable más largo.
- En caso de que el nivel de par de apriete sea más alto que 40: La herramienta no puede medir el nivel de par de apriete. Utilice la herramienta con un rango de par de apriete más alto si hay disponible.
- En caso de que el tiempo de operación exceda de 9,9 segundos, el rango de tiempo utilizable no estará disponible.

Ejemplo de medición:

Si configura el ajuste siguiente, puede leer el estado de la herramienta.

Caso 1

Elemento de ajuste	Ajuste en la herramienta	Resultado medido	Diagnostico
Nivel de par de apriete	23	20	La herramienta se ha detenido por medio del ajuste del rango de tiempo utilizable más largo (3,5 segundos) antes de alcanzar el ajuste del modo de parada automática del apriete (nivel de par de apriete 23).
Rango de tiempo utilizable	el más corto: 2,5 segundos el más largo: 3,5 segundos	3,5	

Caso 2

Elemento de ajuste	Ajuste en la herramienta	Resultado medido	Diagnostico
Nivel de par de apriete	23	23	La herramienta se ha detenido por medio del modo de parada automática del apriete (nivel de par de apriete 23) antes de alcanzar el ajuste del rango de tiempo utilizable más largo (3,5 segundos).
Rango de tiempo utilizable	el más corto: 2,5 segundos el más largo: 3,5 segundos	3	

## Indicador LED/indicador sonoro

► Fig.12: 1. Indicador LED

El indicador LED/indicador sonoro en la herramienta muestra las funciones siguientes.

Alarma n.º	Función	Estado de la herramienta	Estado del indicador LED/indicador sonoro		Acción a tomar
			Indicador LED	Indicador sonoro	
E0	Error de instalación de la batería	Si se instala el cartucho de batería con el gatillo interruptor apretado, la herramienta se detiene para evitar una puesta en marcha involuntaria.	Parpadea en rojo y verde alternativamente.	Una serie de pitidos largos	Instale el cartucho de batería con el gatillo interruptor liberado.
E1	Parada automática	La potencia de la batería se ha vuelto baja y es hora de reemplazar el cartucho de batería.	Parpadea en rojo y verde alternativamente.	Una serie de pitidos largos	Reemplace la batería con una completamente cargada.
E2	Antirrestauración de controlador	La tensión de la batería ha descendido anormalmente por alguna razón, y la herramienta se ha detenido.	Parpadea en rojo y verde alternativamente.	Una serie de pitidos largos	Reemplace la batería con una completamente cargada.
E3	Parada automática con capacidad de batería restante baja	La potencia de la batería está casi agotada y la herramienta se ha detenido.	Se ilumina en rojo.	Un pitido largo	Reemplace la batería con una completamente cargada.
E4	Protección contra sobrecarga	La herramienta estaba sobrecargada y se ha detenido.	Parpadea en rojo y verde alternativamente.	Una serie de pitidos largos	Retire la causa de sobrecarga, y después vuelva a poner en marcha la herramienta. Pida a su centro de servicio Makita local que le hagan las reparaciones.
E5	Protección contra recalentamiento	El controlador de la herramienta se ha calentado anormalmente y la herramienta se ha detenido.	Parpadea en rojo rápidamente.	Una serie de pitidos largos	Retire el cartucho de batería inmediatamente y deje enfriar la herramienta.
E6	Bloqueo del motor	El motor se ha bloqueado. En este momento, la herramienta no funciona.	Parpadea en rojo y verde alternativamente.	Una serie de pitidos largos	Libere el gatillo interruptor y apriételo otra vez.
E7	Fallo del motor	La herramienta ha detectado un fallo del motor. En este momento, la herramienta no funciona.	Parpadea en rojo y verde alternativamente.	Una serie de pitidos largos	Pida a su centro de servicio Makita local que le hagan las reparaciones.
E8	Fallo del interruptor	La herramienta ha detectado un fallo del interruptor.	Parpadea en rojo y verde alternativamente.	Una serie de pitidos largos	Pida a su centro de servicio Makita local que le hagan las reparaciones.
E9	Alarma correspondiente a un periodo de utilización largo	La herramienta ha estado encendida durante un tiempo largo (Aprox. 3 minutos).	Parpadea en rojo y verde alternativamente.	Un pitido largo	Libere el gatillo interruptor y apriételo otra vez.
-	Parada automática al completar el apriete	Se ha alcanzado el par de apriete predeterminado y la herramienta se ha detenido.	Se ilumina en verde durante aproximadamente un segundo.	-	-

Alarma n.º	Función	Estado de la herramienta	Estado del indicador LED/indicador sonoro		Acción a tomar
			Indicador LED	Indicador sonoro	
-	Alarma correspondiente a un apriete insuficiente	El par de apriete predeterminado no se ha logrado, porque el gatillo interruptor ha sido liberado antes de completarse el apriete.	Se ilumina en verde durante aproximadamente un segundo.	Un pitido largo	Vuelva a apretar el fijador.
-	Alarma correspondiente al límite de la capacidad de apriete	-	Parpadea en rojo rápidamente.	Una serie de pitidos largos	Reemplace la batería con una completamente cargada.
-	Alarma correspondiente al mantenimiento	Se ha alcanzado el número de accionamientos que ha predeterminado para el mantenimiento.	Parpadea en amarillo.	-	Restablezca la alarma con el software de aplicación.
-	Alarma correspondiente a la no comunicación con el PC	No hay datos de comunicación mientras la herramienta está conectada al PC.	Parpadea en amarillo.	-	Reinicie el software de aplicación y vuelva a conectar el cable USB.
-	Indicación que la herramienta puede comunicarse con el PC	La herramienta está conectada al PC y puede comunicarse con él.	Parpadea en verde.	-	-
-	Compruebe la lámpara y el indicador sonoro (cuando el cartucho de batería está instalado)	La herramienta realiza la prueba de operación para el indicador LED (verde/rojo), luz, e indicador sonoro.	El indicador LED se ilumina en verde y después en rojo. Después de eso, la luz se enciende durante un rato.	Una serie de pitidos muy cortos	-

## MONTAJE

**⚠ PRECAUCIÓN:** Asegúrese siempre de que la herramienta está apagada y el cartucho de batería retirado antes de realizar cualquier trabajo en la herramienta.

### Selección del manguito de impacto correcto

Utilice siempre el manguito de impacto de tamaño correcto para pernos y tuercas. El utilizar un manguito de impacto de tamaño incorrecto resultará en un par de apriete impreciso e inconsistente y/o en daños al perno o a la tuerca.

### Instalación o desmontaje del manguito de impacto

#### Acesorios opcionales

**⚠ PRECAUCIÓN:** Asegúrese de que el manguito de impacto y la porción de montaje no están dañados antes de instalar el manguito de impacto.

**⚠ PRECAUCIÓN:** Después de insertar el manguito de impacto, asegúrese de que está sujetado firmemente. Si se sale, no lo utilice.

**NOTA:** La forma de instalación del manguito de impacto varía dependiendo del tipo de eje cuadrado en la herramienta.

## Herramienta con el resorte en anillo

### Para manguito de impacto sin junta tórica y pasador

► **Fig.13:** 1. Manguito de impacto 2. Eje cuadrado 3. Resorte en anillo

Empuje el manguito de impacto sobre el eje cuadrado hasta que se bloquee en su sitio.

Para extraer el manguito de impacto, sáquelo tirando de él simplemente.

### Para manguito de impacto con junta tórica y pasador

► **Fig.14:** 1. Manguito de impacto 2. Junta tórica 3. Pasador

Extraiga la junta tórica de la ranura del manguito de impacto y saque el pasador del manguito de impacto. Encaje el manguito de impacto en el eje cuadrado de forma que el agujero en el manguito de impacto quede alineado con el agujero en el eje cuadrado. Inserte el pasador a través del agujero en el manguito de impacto y el eje cuadrado. Luego vuelva a colocar la junta tórica en su posición original de la ranura del manguito de impacto para retener el pasador.

Para extraer el manguito de impacto, siga el procedimiento de instalación a la inversa.



## Herramienta con el pasador de retención

- **Fig.15:** 1. Manguito de impacto 2. Agujero 3. Eje cuadrado 4. Pasador de retención

Alinee el agujero en el lado del manguito de impacto con el pasador de retención del eje cuadrado y presione el manguito de impacto sobre el eje cuadrado hasta que se bloquee en su sitio. Golpéelo ligeramente si es necesario.

Para extraer el manguito de impacto, sáquelo tirando de él simplemente. Si resulta difícil extraerlo, presione el gancho en los agujeros del cuerpo de la herramienta de impacto.

### Instalación del gancho

#### Accesorios opcionales

El gancho resulta útil para colgar la herramienta. Instale el gancho en los agujeros del cuerpo de la herramienta.

- **Fig.16:** 1. Gancho 2. Agujero

## OPERACIÓN

**⚠PRECAUCIÓN:** Inserte siempre el cartucho de batería a tope hasta que se bloquee en su sitio. Si puede ver el indicador rojo en el lado superior del botón, no estará bloqueado completamente. Insértelo completamente hasta que el indicador rojo no pueda verse. En caso contrario, podrá caerse accidentalmente de la herramienta y ocasionarle heridas a usted o a alguien que esté cerca de usted.

**⚠PRECAUCIÓN:** Sujete firmemente la herramienta y ponga el manguito de impacto sobre el perno o la tuerca. Ponga en marcha la herramienta y apriete durante el tiempo de apriete apropiado.

**⚠PRECAUCIÓN:** Si utiliza la herramienta continuamente hasta descargar el cartucho de batería, deje descansar la herramienta durante 15 minutos antes de proceder con un cartucho de batería fresco.

**⚠PRECAUCIÓN:** Con ejercer una presión excesiva sobre la herramienta no conseguirá perforar más rápido. De hecho, esta presión excesiva sólo servirá para dañar la punta de la broca, disminuir el rendimiento de la herramienta y acortar la vida de servicio de la herramienta.

**⚠PRECAUCIÓN:** Sujete siempre las piezas de trabajo en un tornillo de banco o dispositivo de sujeción similar.

- **Fig.17**

El par de apriete apropiado podrá variar dependiendo del tipo o tamaño del perno, el material de la pieza de trabajo a apretar, etc.

**AVISO:** Cuando apriete pernos pequeños, ajuste cuidadosamente la presión en el gatillo interruptor de manera que el perno no se dañe.

**AVISO:** Sujete la herramienta orientada en línea recta al perno o tuerca.

**AVISO:** Un par de apriete excesivo puede dañar el perno/tuerca o el manguito de impacto. Antes de comenzar la tarea, realice siempre una operación de prueba para determinar el tiempo de apriete apropiado para el perno o la tuerca que quiere apretar.

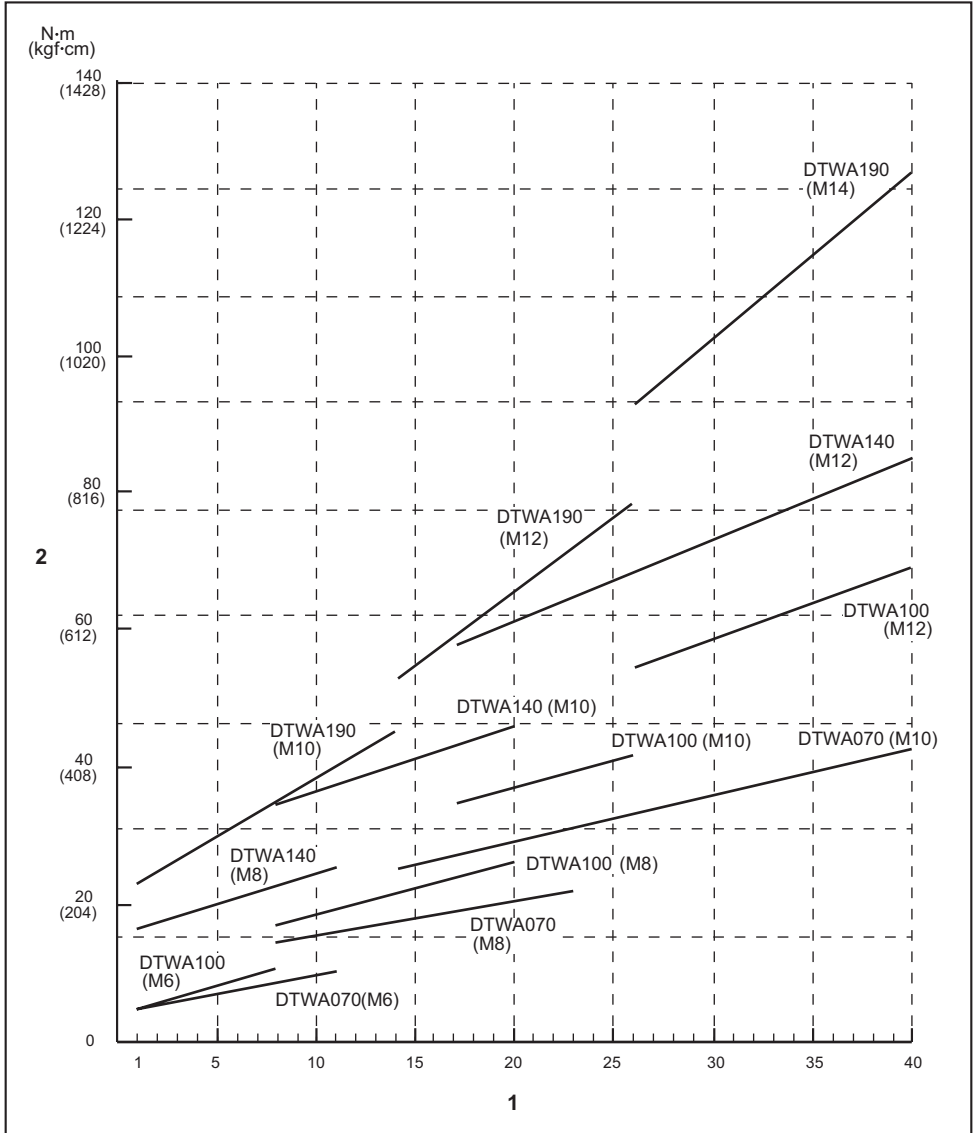
El par de apriete se verá afectado por una amplia variedad de factores, incluidos los siguientes. Después de apretar, compruebe siempre el par de apriete con una llave dinamométrica.

1. Cuando el cartucho de batería esté casi completamente descargado, caerá la tensión y el par de apriete se reducirá.
2. Manguito de impacto
  - En caso de no utilizar el manguito de impacto de tamaño correcto se producirá una disminución del par de apriete.
  - Un manguito de impacto gastado (desgaste en el extremo hexagonal o extremo cuadrado) ocasionará una disminución del par de apriete.
3. Perno
  - Aunque el coeficiente del par de apriete y la clase de perno sean iguales, el par de apriete apropiado variará de acuerdo con el diámetro del perno.
  - Aunque los diámetros de los pernos sean iguales, el par de apriete apropiado variará de acuerdo con el coeficiente del par de apriete, la clase de perno y la longitud del perno.
4. La utilización de la junta universal o la barra de extensión reducirá en cierta medida la fuerza de apriete de la llave de impacto. Compense apretando durante un periodo de tiempo más largo.
5. La manera de sujetar la herramienta o el material que se va apretar en la posición de atornillar afectarán al par de apriete.
6. La operación de la herramienta a baja velocidad ocasionará una reducción del par de apriete.

# Par de apriete y nivel de par de apriete

**NOTA:** El valor de esta referencia se mide mediante las condiciones de medición especificadas por Makita.

**NOTA:** El valor real puede variar de acuerdo con las circunstancias del fijador, los materiales, y el método de apriete. Realice un atornillado de prueba antes del trabajo real.



1. Nivel de par de apriete 2. Par de apriete

# MANTENIMIENTO

**⚠PRECAUCIÓN:** Asegúrese siempre de que la herramienta está apagada y de que el cartucho de batería está retirado antes de intentar hacer una inspección o mantenimiento.

**AVISO:** No utilice nunca gasolina, bencina, disolvente, alcohol o similares. Podría producir descoloración, deformación o grietas.

Para mantener la SEGURIDAD y FIABILIDAD del producto, las reparaciones, y cualquier otra tarea de mantenimiento o ajuste deberán ser realizadas en centros de servicio o de fábrica autorizados por Makita, empleando siempre repuestos Makita.

# ACCESORIOS OPCIONALES

**⚠PRECAUCIÓN:** Estos accesorios o aditamentos están recomendados para su uso con la herramienta Makita especificada en este manual.

El uso de cualquier otro accesorio o aditamento puede suponer un riesgo de heridas personales. Utilice el accesorio o aditamento solamente con la finalidad indicada para el mismo.

Si necesita cualquier ayuda para más detalles en relación con estos accesorios, pregunte al centro de servicio Makita local.

- Gancho
- Protector (Azul, Rojo, Amarillo, Verde, Transparente)
- Protector de batería para BL1460A
- Protector de batería para BL1415NA
- Batería y cargador genuinos de Makita
- Cable USB

**NOTA:** Algunos elementos de la lista podrán estar incluidos en el paquete de la herramienta como accesorios estándar. Pueden variar de un país a otro.

## ESPECIFICAÇÕES

Modelo:		DTWA070	DTWA100	DTWA140	DTWA190
Capacidades de aperto	Perno normal	M5 - M12		M6 - M16	M8 - M16
	Perno de grande elasticidade	M5 - M10		M6 - M12	M8 - M14
Binário máximo de aperto		65 N•m	95 N•m	140 N•m	185 N•m
Intervalo do binário		Aprox. 5 - 40 N•m	Aprox. 6 - 65 N•m	Aprox. 18 - 80 N•m	Aprox. 25 - 125 N•m
Cabeça quadrada de acionamento		9,5 mm		12,7 mm	
Velocidade sem carga (RPM)		0 - 2.500 min <sup>-1</sup>	0 - 2.700 min <sup>-1</sup>		0 - 2.600 min <sup>-1</sup>
Impactos por minuto		0 - 3.700 min <sup>-1</sup>	0 - 3.300 min <sup>-1</sup>		0 - 3.000 min <sup>-1</sup>
Comprimento total		144 mm	151 mm	158 mm	
Tensão nominal		CC 14,4 V			
Peso líquido		1,1 - 1,4 kg	1,2 - 1,4 kg	1,2 - 1,5 kg	1,3 - 1,6 kg
Cabo USB aplicável		661432-2			

- Devido a um programa contínuo de pesquisa e desenvolvimento, estas especificações estão sujeitas a alteração sem aviso prévio.
- As especificações podem variar de país para país.
- O peso poderá diferir em função do acessório(s), incluindo a bateria. A combinação mais leve e mais pesada, de acordo com o Procedimento EPTA 01/2014, é apresentada na tabela.

### Bateria e carregador aplicável

Bateria	BL1415N / BL1415NA / BL1430B / BL1440 / BL1460A / BL1460B
Carregador	DC18RC / DC18RD / DC18RE / DC18SD / DC18SE / DC18SF / DC18SH

- Algumas das baterias e carregadores listados acima poderão não estar disponíveis, dependendo da sua região de residência.

**⚠AVISO:** Utilize apenas as baterias e carregadores listados acima. A utilização de quaisquer outras baterias e carregadores pode causar ferimentos e/ou um incêndio.

### Utilização a que se destina

A ferramenta foi concebida para aperto de parafusos e porcas.

### Ruído

A característica do nível de ruído A determinado de acordo com a EN62841-2-2:

#### Modelo DTWA070

Nível de pressão acústica ( $L_{pA}$ ): 92 dB (A)  
 Nível de potência acústica ( $L_{WA}$ ): 103 dB (A)  
 Variabilidade (K): 3 dB (A)

#### Modelo DTWA100

Nível de pressão acústica ( $L_{pA}$ ): 93 dB (A)  
 Nível de potência acústica ( $L_{WA}$ ): 104 dB (A)  
 Variabilidade (K): 3 dB (A)

#### Modelo DTWA140

Nível de pressão acústica ( $L_{pA}$ ): 96 dB (A)  
 Nível de potência acústica ( $L_{WA}$ ): 107 dB (A)  
 Variabilidade (K): 3 dB (A)

#### Modelo DTWA190

Nível de pressão acústica ( $L_{pA}$ ): 95 dB (A)  
 Nível de potência acústica ( $L_{WA}$ ): 106 dB (A)  
 Variabilidade (K): 3 dB (A)

**NOTA:** O(s) valor(es) da emissão de ruído indicado(s) foi medido de acordo com um método de teste padrão e pode ser utilizado para comparar duas ferramentas.

**NOTA:** O(s) valor(es) da emissão de ruído indicado(s) pode também ser utilizado na avaliação preliminar da exposição.

**⚠AVISO:** Utilize protetores auriculares.

**⚠AVISO:** A emissão de ruído durante a utilização real da ferramenta elétrica pode diferir do(s) valor(es) indicado(s), dependendo das formas como a ferramenta é utilizada, especialmente o tipo de peça de trabalho que é processada.

**⚠AVISO:** Certifique-se de identificar as medidas de segurança para proteção do operador que sejam baseadas em uma estimativa de exposição em condições reais de utilização (considerando todas as partes do ciclo de operação, tal como quando a ferramenta está desligada e quando está a funcionar em marcha lenta além do tempo de acionamento).

## Vibração

Valor total da vibração (soma vetorial tri-axial) determinado de acordo com a EN62841-2-2:

### Modelo DTWA070

Modo de trabalho: aperto com impacto de parafusos de capacidade máxima da ferramenta  
Emissão de vibração ( $a_h$ ): 9,0 m/s<sup>2</sup>  
Variabilidade (K): 1,5 m/s<sup>2</sup>

### Modelo DTWA100

Modo de trabalho: aperto com impacto de parafusos de capacidade máxima da ferramenta  
Emissão de vibração ( $a_h$ ): 8,5 m/s<sup>2</sup>  
Variabilidade (K): 1,5 m/s<sup>2</sup>

### Modelo DTWA140

Modo de trabalho: aperto com impacto de parafusos de capacidade máxima da ferramenta  
Emissão de vibração ( $a_h$ ): 10,0 m/s<sup>2</sup>  
Variabilidade (K): 1,5 m/s<sup>2</sup>

### Modelo DTWA190

Modo de trabalho: aperto com impacto de parafusos de capacidade máxima da ferramenta  
Emissão de vibração ( $a_h$ ): 10,5 m/s<sup>2</sup>  
Variabilidade (K): 1,5 m/s<sup>2</sup>

**NOTA:** O(s) valor(es) total(ais) de vibração indicado(s) foi medido de acordo com um método de teste padrão e pode ser utilizado para comparar duas ferramentas.

**NOTA:** O(s) valor(es) total(ais) de vibração indicado(s) pode também ser utilizado na avaliação preliminar da exposição.

**AVISO:** A emissão de vibração durante a utilização real da ferramenta elétrica pode diferir do(s) valor(es) indicado(s), dependendo das formas como a ferramenta é utilizada, especialmente o tipo de peça de trabalho que é processada.

**AVISO:** Certifique-se de identificar as medidas de segurança para proteção do operador que sejam baseadas em uma estimativa de exposição em condições reais de utilização (considerando todas as partes do ciclo de operação, tal como quando a ferramenta está desligada e quando está a funcionar em marcha lenta além do tempo de acionamento).

## Declaração de conformidade da CE

### Apenas para os países europeus

A declaração de conformidade da CE está incluída como Anexo A neste manual de instruções.

## AVISOS DE SEGURANÇA

### Avisos gerais de segurança para ferramentas elétricas

**AVISO:** Leia todos os avisos de segurança, instruções, ilustrações e especificações fornecidos com esta ferramenta elétrica. O não cumprimento de todas as instruções indicadas em baixo pode resultar em choque elétrico, incêndio e/ou ferimentos graves.

### Guarde todos os avisos e instruções para futuras referências.

O termo "ferramenta elétrica" nos avisos refere-se às ferramentas elétricas ligadas à corrente elétrica (com cabo) ou às ferramentas elétricas operadas por meio de bateria (sem cabo).

### Avisos de segurança da chave de impacto a bateria

- Agarre na ferramenta elétrica pelas partes isoladas quando executa uma operação em que o parafuso possa entrar em contacto com fios ocultos.** O contacto dos parafusos com um fio com corrente poderá carregar as partes metálicas da ferramenta e causar choque elétrico no operador.
- Use protetores auditivos.**
- Verifique cuidadosamente o bocal de impacto quanto a desgaste, rachas ou danos antes da instalação.**
- Segure a ferramenta firmemente.**
- Mantenha as mãos afastadas das partes giratórias.**
- Não toque no bocal de impacto, perno, porca ou na peça de trabalho imediatamente após a operação.** Podem estar extremamente quentes e pode causar queimaduras na pele.
- Certifique-se sempre de que tem os pés bem assentes.**  
Certifique-se de que não está ninguém por baixo quando utilizar a ferramenta em locais altos.
- O binário de aperto adequado pode diferir, dependendo do tipo ou do tamanho do perno.** Verifique o binário com uma chave de binário.
- Certifique-se de que não há cabos elétricos, tubos de água, tubos de gás, etc., que possam constituir um perigo se danificados pela utilização da ferramenta.**

### GUARDE ESTAS INSTRUÇÕES.

**AVISO:** NÃO permita que o conforto ou a familiaridade com o produto (adquirido com o uso repetido) substitua a adesão estrita às regras de segurança da ferramenta.

A MÁ INTERPRETAÇÃO ou o não seguimento das regras de segurança estabelecidas neste manual de instruções pode causar danos pessoais graves.

## Instruções de segurança importantes para a bateria

1. **Antes de utilizar a bateria, leia todas as instruções e etiquetas de precaução no (1) carregador de bateria (2) bateria e (3) produto que utiliza a bateria.**
2. **Não desmonte ou manipule a bateria.** Pode resultar num incêndio, em calor excessivo ou numa explosão.
3. **Se o tempo de funcionamento se tornar excessivamente curto, pare o funcionamento imediatamente.** Pode resultar em sobreaquecimento, possíveis queimaduras e mesmo explosão.
4. **Se entrar eletrólito nos seus olhos, lave-os com água e consulte imediatamente um médico.** Pode resultar em perda de visão.
5. **Não coloque a bateria em curto-circuito:**
  - (1) **Não toque nos terminais com qualquer material condutor.**
  - (2) **Evite guardar a bateria juntamente com outros objetos metálicos tais como pregos, moedas, etc.**
  - (3) **Não exponha a bateria à água ou chuva.** Um curto-circuito pode ocasionar um enorme fluxo de corrente, sobreaquecimento, possíveis queimaduras e mesmo estragar-se.
6. **Não guarde nem utilize a ferramenta e a bateria em locais onde a temperatura pode atingir ou exceder 50 °C.**
7. **Não queime a bateria mesmo que esteja estragada ou completamente gasta. A bateria pode explodir no fogo.**
8. **Não pregue, corte, esmague, atire, deixe cair a bateria, nem bata a bateria contra um objeto rijo.** Esta conduta pode resultar num incêndio, em calor excessivo ou numa explosão.
9. **Não utilize uma bateria danificada.**
10. **As baterias de íões de lítio contidas na ferramenta são sujeitas aos requisitos da DGL (Dangerous Goods Legislation - Legislação de bens perigosos).**

Para o transporte comercial, por exemplo, por terceiros ou agentes de expedição, têm de ser observados os requisitos referentes à embalagem e etiquetagem.

Para preparação do artigo a ser expedido, é necessário consultar um perito em materiais perigosos. Tenha ainda em conta a possibilidade de existirem regulamentos nacionais mais detalhados.

Coloque fita-cola ou tape os contactos abertos e embale a bateria de tal forma que não possa mover-se dentro da embalagem.
11. **Quando eliminar a bateria, remova-a da ferramenta e elimine-a num local seguro. Siga os regulamentos locais relacionados com a eliminação de baterias.**

12. **Utilize as baterias apenas com os produtos especificados pela Makita.** Instalar as baterias em produtos não-conformes poderá resultar num incêndio, calor excessivo, explosão ou fuga de eletrólito.
13. **Se a ferramenta não for utilizada durante um período de tempo prolongado, a bateria deve ser removida da ferramenta.**
14. **Durante e após a utilização, a bateria pode aquecer, o que pode provocar queimaduras ou queimaduras a baixa temperatura.** Preste atenção ao manuseamento de baterias quentes.
15. **Não toque no terminal da ferramenta imediatamente após a utilização, pois pode ficar suficientemente quente para provocar queimaduras.**
16. **Não permita a adesão de aparas, pó ou sujidade nos terminais, nos orifícios e nas ranhuras da bateria.** Pode resultar no fraco desempenho ou na avaria da ferramenta ou bateria.
17. **A menos que a ferramenta suporte a utilização perto de linhas elétricas de alta tensão, não utilize a bateria perto de linhas elétricas de alta tensão.** Pode resultar no mau funcionamento ou na avaria da ferramenta ou bateria.
18. **Mantenha a bateria afastada das crianças.**

## GUARDE ESTAS INSTRUÇÕES.

**⚠PRECAUÇÃO:** Utilize apenas baterias genuínas da Makita. A utilização de baterias não genuínas da Makita ou de baterias que foram alteradas, pode resultar no rebentamento da bateria provocando incêndios, ferimentos pessoais e danos. Além disso, anulará da garantia da Makita no que se refere à ferramenta e ao carregador Makita.

## Conselhos para manter a máxima vida útil da bateria

1. **Carregue a bateria antes que esteja completamente descarregada. Pare sempre o funcionamento da ferramenta e carregue a bateria quando notar menos poder na ferramenta.**
2. **Nunca carregue uma bateria completamente carregada. Carregamento excessivo diminui a vida útil da bateria.**
3. **Carregue a bateria à temperatura ambiente de 10 °C – 40 °C. Deixe que uma bateria quente arrefeça antes de a carregar.**
4. **Quando não utilizar a bateria, remova-a da ferramenta ou do carregador.**
5. **Carregue a bateria se não a utilizar durante um longo período de tempo (mais de seis meses).**

## DESCRIÇÃO FUNCIONAL

**⚠️PRECAUÇÃO:** Certifique-se sempre de que a ferramenta está desligada e a bateria foi retirada antes de regular ou verificar qualquer função na ferramenta.

### Instalação ou remoção da bateria

**⚠️PRECAUÇÃO:** Desligue sempre a ferramenta antes de colocar ou retirar a bateria.

**⚠️PRECAUÇÃO:** Segure firmemente a ferramenta e a bateria quando instalar ou remover a bateria. Se não segurar firmemente a ferramenta e a bateria pode fazer com que escorreguem das suas mãos resultando em danos na ferramenta e na bateria e ferimentos pessoais.

► **Fig.1:** 1. Indicador vermelho 2. Botão 3. Bateria

Para retirar a bateria, deslize-a para fora da ferramenta enquanto desliza o botão na frente da bateria.

Para instalar a bateria, alinhe a lingueta na bateria com a ranhura na caixa e deslize-a para a posição correta. Insira-a por completo até bloquear na posição correta com um pequeno clique. Se conseguir ver o indicador vermelho conforme apresentado na figura, não está completamente bloqueada.

**⚠️PRECAUÇÃO:** Instale sempre a bateria até ao fim, até deixar de ver o indicador vermelho.

Caso contrário, a bateria poderá cair da ferramenta acidentalmente e provocar ferimentos em si mesmo ou em alguém próximo.

**⚠️PRECAUÇÃO:** Não instale a bateria à força. Se a bateria não deslizar facilmente é porque não foi colocada corretamente.

### Sistema de proteção da ferramenta/bateria

A ferramenta está equipada com um sistema de proteção da ferramenta/bateria. Este sistema corta automaticamente a corrente para o motor para aumentar a vida da ferramenta e da bateria. A ferramenta para automaticamente durante o funcionamento se a ferramenta ou bateria for colocada mediante uma das seguintes condições:

### Proteção contra sobrecarga

Quando a bateria é operada de forma a puxar uma corrente anormalmente elevada, a ferramenta para automaticamente sem qualquer indicação. Nesse caso, desligue a ferramenta e pare a operação que provocou a sobrecarga da ferramenta. Em seguida, volte a ligar a ferramenta para a reiniciar.

### Proteção contra sobreaquecimento

Quando a ferramenta/bateria fica sobreaquecida, a ferramenta para automaticamente. Neste caso, deixe a ferramenta/bateria arrefecer antes de voltar a ligar a ferramenta.

### Proteção contra descarga excessiva

Quando a capacidade da bateria não é suficiente, a ferramenta para automaticamente. Neste caso, retire a bateria da ferramenta e carregue-a.

### Verificar a capacidade restante da bateria (BL1460A)

► **Fig.2:** 1. Luzes indicadoras 2. Botão de verificação

**NOTA:** Dependendo das condições de utilização e da temperatura ambiente, a indicação pode ser ligeiramente diferente da capacidade real.

### Quando está a carregar

Quando a carga inicia, a primeira luz indicadora (extremo esquerdo) começa a piscar. De seguida, à medida que a carga avança, as restantes luzes acendem, uma após a outra, para indicar a capacidade da bateria.

**NOTA:** Se a luz indicadora não ligar ou piscar quando estiver a carregar, a bateria poderá estar anómala. Neste caso, solicite assistência ao seu centro de assistência local.

### Quando estiver a utilizar

Quando a ferramenta é ligada, as luzes acendem para indicar a capacidade restante da bateria. Quando a ferramenta é desligada, a luz apaga após aprox. 5 segundos.

Quando premir o botão de verificação com a ferramenta desligada, as luzes indicadoras ligam durante aprox. 5 segundos para mostrar a capacidade da bateria.

Se a luz laranja piscar, a ferramenta para devido a pouca capacidade restante da bateria (mecanismo de paragem automática). Carregue a bateria ou utilize uma bateria carregada nesta altura.

Quando a ferramenta é utilizada com a bateria que não foi usada há muito tempo e estiver ligada, nenhuma luz poderá acender. A ferramenta para devido a pouca capacidade restante da bateria nesta altura. Carregue a bateria apropriadamente.

### Ação do interruptor

► **Fig.3:** 1. Gatilho do interruptor

**⚠️PRECAUÇÃO:** Antes de colocar a bateria na ferramenta, verifique sempre se o gatilho do interruptor funciona corretamente e volta para a posição "OFF" quando libertado.

Para iniciar a ferramenta, carregue simplesmente no gatilho do interruptor. A velocidade da ferramenta aumenta quando aumenta a pressão no gatilho. Liberte o gatilho do interruptor para parar.

**NOTA:** A ferramenta para automaticamente se continuar a puxar o gatilho durante cerca de 3 minutos.

## Acender a lâmpada da frente

► Fig.4: 1. Lâmpada

**⚠ PRECAUÇÃO:** Não olhe para a luz ou para a fonte de iluminação diretamente.

Puxe o gatilho do interruptor para acender a lâmpada. A lâmpada mantém-se acesa enquanto o gatilho do interruptor estiver a ser premido. A lâmpada apaga-se aproximadamente 10 segundos após soltar o gatilho do interruptor.

**NOTA:** Utilize um pano seco para limpar a sujidade da lente da lâmpada. Tenha cuidado para não riscar a lente da lâmpada ou a iluminação pode ficar enfraquecida.

## Ação do interruptor de inversão

► Fig.5: 1. Alavanca do interruptor de inversão

**⚠ PRECAUÇÃO:** Verifique sempre a direção de rotação antes da operação.

**⚠ PRECAUÇÃO:** Só utilize o interruptor de inversão depois de a ferramenta estar completamente parada. Mudar a direção de rotação antes de a ferramenta parar pode estragar a ferramenta.

**⚠ PRECAUÇÃO:** Quando não estiver a utilizar a ferramenta, coloque sempre a alavanca do interruptor de inversão na posição neutra.

Esta ferramenta tem um interruptor de inversão para mudar a direção de rotação. Pressione a alavanca do interruptor de inversão no lado A para rotação para a direita ou no lado B para rotação para a esquerda. Quando a alavanca do interruptor de inversão está na posição neutra, não é possível carregar no gatilho.

## Mudar a definição de parâmetros na ferramenta (modo Definição de terreno)

**OBSERVAÇÃO:** Esta função está disponível por predefinição. Se tiver desativado o modo Definição de terreno no computador, ative previamente esta função. Consulte o manual de instruções de "Makita Industry Tool Settings" para saber como realizar a configuração.

**OBSERVAÇÃO:** Se o modo Definição de terreno estiver desativado, a realização de definições na ferramenta não está disponível. Quando prime o botão de definição, os valores definidos na ferramenta são apresentados por ordem.

O número de definição atual é apresentado no indicador.

Sempre que prime o botão de definição, o indicador mostra o nível de binário, o nível de redução de potência, o intervalo de tempo utilizável e "Ad."

► Fig.7: 1. Botão de definição 2. Indicador

Pode mudar as seguintes definições de parâmetros na sua ferramenta:

- Definição de paragem automática/modo Livre

Item de definição	Visualização no indicador	Descrição
Nível de binário	01 - 40 FF OP	O nível de binário a que o modo Paragem automática de aperto funciona
Nível de redução de potência	L1 - L7 OP	A sensibilidade do assento do fixador
Intervalo de tempo utilizável	Lo: 0.1 - 9.9 Hi: 0.1 - 9.9 --	A duração mais curta/mais longa da rotação quando continua a puxar o gatilho do interruptor.

**OBSERVAÇÃO:** Se "OP" (modo Paragem automática de desaperto) for apresentado no indicador, a definição do nível de binário e a definição do nível de redução de potência não estão disponíveis. Neste caso, mude de modo para o modo Paragem automática de aperto e, em seguida, defina o nível de binário e o nível de redução de potência no computador utilizando as "Makita Industry Tool Settings".

## Mudar a definição de parâmetros no computador

Pode configurar uma definição detalhada da ferramenta com o software da aplicação "Makita Industry Tool Settings". Instale o software da aplicação no computador e ligue a ferramenta ao computador com um cabo USB.

Consulte o manual de instruções de "Makita Industry Tool Settings" para obter informações sobre a configuração.

► Fig.6: 1. Entrada USB 2. Tapa USB 3. Cabo USB

**OBSERVAÇÃO:** Certifique-se de que a tampa USB está fechada quando realiza o aperto.

**NOTA:** Quando a alavanca do interruptor de inversão é pressionada na rotação para a direita, o indicador mostra a definição da rotação para a direita.

Quando a alavanca do interruptor de inversão é pressionada na rotação para a esquerda, o indicador mostra a definição da rotação para a esquerda.

**NOTA:** Utilize o número predefinido como orientação. Para manter o binário de aperto, o número de impactos muda automaticamente de acordo com a restante capacidade da bateria.

**NOTA:** Utilize o cabo USB genuíno da Makita para ligar o seu computador à ferramenta. Consulte a secção "ESPECIFICAÇÕES".

**NOTA:** Para o software da aplicação, contacte o representante de vendas da Makita.



## Mudar o nível de binário

### Quando mudar o nível de binário de 23 para 34

#### ► Fig.8

1. Prima o botão de definição várias vezes até o indicador mostrar um número de 2 dígitos que representa a definição atual do nível de binário.
2. Prima e mantenha premido o botão de definição até o número na casa das dezenas começar a piscar.
3. Defina o número na casa das dezenas premindo o botão de definição por breves instantes. Sempre que prime o botão de definição, o indicador mostra um número de "0" a "4" e "F" num ciclo.
4. Prima e mantenha premido o botão de definição até o número na casa das unidades começar a piscar.
5. Defina o número na casa das unidades premindo o botão de definição por breves instantes. Sempre que prime o botão de definição, o indicador mostra um número de "0" a "9" e "F" num ciclo.
6. Prima e mantenha premido o botão de definição durante alguns segundos.

**NOTA:** Se não souber qual o nível de binário adequado para o seu trabalho, defina "FF" para que a ferramenta funcione no modo Livre.

**NOTA:** Se introduzir "00", é apresentado "FF" em vez de "00".

## Mudar o nível de redução de potência

### Quando mudar o nível de redução de potência de L1 para L2

#### ► Fig.9

1. Prima o botão de definição várias vezes até o indicador mostrar 2 caracteres a começar por "L" seguido de um número. Tal representa a definição atual do nível de redução de potência.
2. Prima e mantenha premido o botão de definição até o indicador começar a piscar.
3. Defina o nível de redução de potência. Sempre que prime o botão de definição, o indicador mostra de "L1" a "L7" num ciclo. O nível de redução de potência mais baixo é "L1" e "L7" é o mais elevado.
4. Prima e mantenha premido o botão de definição durante alguns segundos.

## Mudar o intervalo de tempo utilizável mais curto

### Quando mudar o intervalo de tempo utilizável mais curto de 2.5 para 3.6

#### ► Fig.10

1. Prima o botão de definição várias vezes até o indicador mostrar "Lo" e um número alternadamente. Tal representa a definição atual do intervalo de tempo utilizável mais curto.
2. Prima e mantenha premido o botão de definição até o número na casa das unidades começar a piscar.

3. Defina o número na casa das unidades premindo o botão de definição por breves instantes. Sempre que prime o botão de definição, o indicador mostra um número de "0" a "9" num ciclo.
4. Prima e mantenha premido o botão de definição até o número na casa decimal começar a piscar.
5. Defina o número na casa decimal premindo o botão de definição por breves instantes. Sempre que prime o botão de definição, o indicador mostra um número de "0" a "9" num ciclo.
6. Prima e mantenha premido o botão de definição durante alguns segundos.

**NOTA:** Quando define um valor inferior a "0.1" para o intervalo de tempo utilizável mais curto, o indicador mostra "-." e o intervalo de tempo utilizável mais curto fica desativado. Para introduzir "-.", defina o valor para "0.9" e, em seguida, prima o botão de definição quando o número na casa das unidades estiver a piscar.

## Mudar o intervalo de tempo utilizável mais longo

### Quando mudar o intervalo de tempo utilizável mais longo de 2.5 para 3.6

#### ► Fig.11

1. Prima o botão de definição várias vezes até o indicador mostrar "Hl" e um número alternadamente. Tal representa a definição atual do intervalo de tempo utilizável mais longo.
2. Prima e mantenha premido o botão de definição até o número na casa das unidades começar a piscar.
3. Defina o número na casa das unidades premindo o botão de definição por breves instantes. Sempre que prime o botão de definição, o indicador mostra um número de "0" a "9" num ciclo.
4. Prima e mantenha premido o botão de definição até o número na casa decimal começar a piscar.
5. Defina o número na casa decimal premindo o botão de definição por breves instantes. Sempre que prime o botão de definição, o indicador mostra um número de "0" a "9" num ciclo.
6. Prima e mantenha premido o botão de definição durante alguns segundos.

**NOTA:** Quando define um valor superior a "9.9" para o intervalo de tempo utilizável mais longo, o indicador mostra "-." e o intervalo de tempo utilizável mais longo fica desativado. Para introduzir "-.", defina o valor para "9.9" e, em seguida, prima o botão de definição quando o número na casa das unidades estiver a piscar.

## Medir uma operação efetiva (Autodiagnóstico)

**OBSERVAÇÃO:** Esta função está disponível por predefinição. Se tiver desativado o modo Definição de terreno no computador, ative previamente esta função. Consulte o manual de instruções de “Makita Industry Tool Settings” para saber como realizar a configuração.

Pode medir o nível de binário e o tempo de funcionamento de uma operação efetiva utilizando a ferramenta. O nível de binário e o tempo medidos podem ser utilizados para:

- Reproduzir uma técnica de controlo do binário de um trabalhador qualificado; e
- Uma referência temporal para a definição do intervalo de tempo utilizável mais curto/mais longo.

### Medir o nível de binário e o tempo de funcionamento

1. Prima o botão de definição várias vezes até ser apresentado “Ad.” no indicador.
2. Prima e mantenha premido o botão de definição até o indicador mostrar “Ch”.
3. Realize a operação que pretende para medir o tempo de funcionamento.
  - Se tiver configurado o nível de binário, utilize a ferramenta até parar no modo Paragem automática de aperto.
  - Se não tiver configurado o nível de binário (modo Livre), utilize a ferramenta conforme necessário.
4. Verifique o resultado medido. Prima o botão de definição uma vez para mostrar o nível de binário efetivo e prima-o mais uma vez para mostrar o tempo de funcionamento efetivo. Sempre que prime o botão de definição, o indicador mostra “Ch”, o número do nível de binário efetivo e o número do tempo de funcionamento efetivo num ciclo.
5. Prima e mantenha premido o botão de definição para sair do Autodiagnóstico.

**NOTA:** O modo Paragem automática de aperto funciona mesmo no Autodiagnóstico. Se pretender medir o nível de binário sem limitação, defina o nível de binário “FF” (modo Livre) e realize os procedimentos acima.

**NOTA:** Se for apresentado “- -” no indicador, o impacto não funcionou ou o nível de binário é superior a 40. Se for apresentado “-...” no indicador, o tempo de funcionamento ultrapassou 9,9 segundos.

- No caso de o impacto não ter funcionado: Volte a medir o nível de binário com o tempo utilizável mais longo.
- No caso de o nível de binário ser superior a 40: A ferramenta não consegue medir o nível de binário. Utilize a ferramenta com o intervalo de binário superior, se disponível.
- No caso de o tempo de funcionamento ter ultrapassado 9,9 segundos, o intervalo de tempo utilizável não está disponível.

Exemplo de medição:

Se configurar a seguinte definição, pode consultar o estado da ferramenta.

Caso 1

Item de definição	Definição da ferramenta	Resultado medido	Diagnóstico
Nível de binário	23	20	A ferramenta parou na definição do intervalo de tempo utilizável mais longo (3,5 segundos) antes de atingir a definição do modo Paragem automática de aperto (nível de binário: 23).
Intervalo de tempo utilizável	Mais curto: 2,5 segundos Mais longo: 3,5 segundos	3,5	

Caso 2

Item de definição	Definição da ferramenta	Resultado medido	Diagnóstico
Nível de binário	23	23	A ferramenta parou no modo Paragem automática de aperto (nível de binário: 23) antes de atingir a definição do intervalo de tempo utilizável mais longo (3,5 segundos).
Intervalo de tempo utilizável	Mais curto: 2,5 segundos Mais longo: 3,5 segundos	3	

## Indicador LED/sinal sonoro

► Fig.12: 1. Indicador LED

O indicador LED/sinal sonoro na ferramenta mostra as seguintes funções.

N.º do alarme	Função	Estado da ferramenta	Estado do indicador LED/sinal sonoro		Ação a tomar
			Indicador LED	Sinal sonoro	
E0	Erro de instalação da bateria	Se a bateria for instalada com o gatilho do interruptor puxado, a ferramenta para para evitar o arranque involuntário.	Pisca alternadamente a vermelho e a verde.	Uma série de sinais sonoros prolongados	Instale a bateria com o gatilho do interruptor solto.
E1	Paragem automática	A potência da bateria ficou fraca e está na altura de substituir a bateria.	Pisca alternadamente a vermelho e a verde.	Uma série de sinais sonoros prolongados	Substitua a bateria por uma bateria totalmente carregada.
E2	Antirreposição do controlador	A tensão da bateria caiu anormalmente por algum motivo e a ferramenta parou.	Pisca alternadamente a vermelho e a verde.	Uma série de sinais sonoros prolongados	Substitua a bateria por uma bateria totalmente carregada.
E3	Paragem automática com pouca capacidade restante da bateria	A potência da bateria está quase gasta e a ferramenta parou.	Acende a vermelho.	Um sinal sonoro prolongado	Substitua a bateria por uma bateria totalmente carregada.
E4	Proteção contra sobrecarga	A ferramenta estava sobrecarregada e parou.	Pisca alternadamente a vermelho e a verde.	Uma série de sinais sonoros prolongados	Elimine a causa de sobrecarga e, em seguida, reinicie a ferramenta. Solicite a reparação ao centro de assistência Makita local.
E5	Proteção contra sobreaquecimento	O controlador da ferramenta aqueceu anormalmente e a ferramenta parou.	Pisca rapidamente a vermelho.	Uma série de sinais sonoros prolongados	Remova a bateria imediatamente e arrefeça a ferramenta.
E6	Bloqueio do motor	O motor foi bloqueado. Nesta altura, a ferramenta não funciona.	Pisca alternadamente a vermelho e a verde.	Uma série de sinais sonoros prolongados	Solte o gatilho do interruptor e puxe-o novamente.
E7	Falha do motor	A ferramenta detetou uma falha do motor. Nesta altura, a ferramenta não funciona.	Pisca alternadamente a vermelho e a verde.	Uma série de sinais sonoros prolongados	Solicite a reparação ao centro de assistência Makita local.
E8	Falha do interruptor	A ferramenta detetou uma falha do interruptor.	Pisca alternadamente a vermelho e a verde.	Uma série de sinais sonoros prolongados	Solicite a reparação ao centro de assistência Makita local.
E9	Alarme para um período de utilização longo	A ferramenta esteve ligada durante muito tempo (aprox. 3 minutos).	Pisca alternadamente a vermelho e a verde.	Um sinal sonoro prolongado	Solte o gatilho do interruptor e puxe-o novamente.
-	Paragem automática com conclusão de aperto	O binário de aperto predefinido foi atingido e a ferramenta parou.	Acende a verde durante aproximadamente um segundo.	-	-
-	Alarme para aperto insuficiente	O binário de aperto predefinido não foi atingido porque o gatilho do interruptor foi libertado antes de concluir o aperto.	Acende a verde durante aproximadamente um segundo.	Um sinal sonoro prolongado	Aperte novamente o fixador.
-	Alarme para limite da capacidade de aperto	-	Pisca rapidamente a vermelho.	Uma série de sinais sonoros prolongados	Substitua a bateria por uma bateria totalmente carregada.

N.º do alarme	Função	Estado da ferramenta	Estado do indicador LED/sinal sonoro		Ação a tomar
			Indicador LED	Sinal sonoro	
-	Alarme de manutenção	O número de aperto foi atingido para o seu número predefinido para a manutenção.	Pisca a amarelo.	-	Reponha o alarme com o software da aplicação.
-	Alarme para a falta de comunicação com o PC	Sem comunicação de dados enquanto a ferramenta está ligada ao PC.	Pisca a amarelo.	-	Reinicie o software da aplicação e ligue novamente o cabo USB.
-	Indicação de que a ferramenta consegue comunicar com o PC	A ferramenta está ligada ao PC e consegue comunicar com o mesmo.	Pisca a verde.	-	-
-	Verifique a lâmpada e o sinal sonoro (quando a bateria está instalada)	A ferramenta realiza o teste de funcionamento para o indicador LED (verde/vermelho), a luz e o sinal sonoro.	O indicador LED acende a verde e depois a vermelho. Em seguida, a luz acende durante algum tempo.	Uma série de sinais sonoros muito breves	-

## MONTAGEM

**⚠️ PRECAUÇÃO:** Certifique-se sempre de que a ferramenta está desligada e a bateria retirada antes de executar qualquer trabalho na ferramenta.

### Selecionar um bocal de impacto correto

Utilize sempre o bocal de impacto de tamanho correto para os pernos e porcas. Um bocal de impacto de tamanho incorreto pode resultar em binário de aperto incorreto ou inconsistente e/ou danificar o perno ou a porca.

### Instalar ou remover o bocal de impacto

#### Acessório opcional

**⚠️ PRECAUÇÃO:** Certifique-se de que o bocal de impacto e a respetiva parte de montagem não estão danificados antes de instalar o bocal de impacto.

**⚠️ PRECAUÇÃO:** Depois de inserir o bocal de impacto, certifique-se de que está preso firmemente. Se sair, não o utilize.

**NOTA:** O modo de instalação do bocal de impacto varia em função do tipo de cabeça quadrada de acionamento na ferramenta.

## Ferramenta com a mola do anel

### Para o bocal de impacto sem o anel em O e o pino

► **Fig.13:** 1. Bocal de impacto 2. Cabeça quadrada de acionamento 3. Mola do anel

Empurre o bocal de impacto para a cabeça quadrada de acionamento até bloquear na posição correta.

Para retirar o bocal de impacto, puxe-o simplesmente para fora.

### Para o bocal de impacto com o anel em O e o pino

► **Fig.14:** 1. Bocal de impacto 2. Anel em O 3. Pino

Mova o anel em O para fora da ranhura no bocal de impacto e retire o pino do bocal de impacto. Encaixe o bocal de impacto na cabeça quadrada de acionamento de forma que o orifício no bocal de impacto fique alinhado com o orifício na cabeça quadrada de acionamento.

Insira o pino através do orifício no bocal de impacto e na cabeça quadrada de acionamento. Depois, volte a colocar o anel em O na posição original, na ranhura do bocal de impacto, para prender o pino.

Para retirar o bocal de impacto, siga os procedimentos de instalação pela ordem inversa.

## Ferramenta com o pino de retenção

► **Fig.15:** 1. Bocal de impacto 2. Orifício 3. Cabeça quadrada de acionamento 4. Pino de retenção

Alinhe o orifício na parte lateral do bocal de impacto com o pino de retenção na cabeça quadrada de acionamento e empurre o bocal de impacto para cima da cabeça quadrada de acionamento até prender no lugar. Dê-lhe uma pancada leve se necessário.

Para retirar o bocal de impacto, puxe-o simplesmente para fora. Se for difícil de remover, pressione o pino de retenção enquanto puxa o bocal de impacto.

## Instalar o gancho

### Acessório opcional

O gancho é útil para pendurar a ferramenta. Instale o gancho nos orifícios no corpo da ferramenta.

► Fig.16: 1. Gancho 2. Orifício

## OPERAÇÃO

**⚠PRECAUÇÃO:** Insira sempre a bateria por completo até bloquear no lugar com um clique. Se conseguir ver o indicador vermelho no lado superior do botão, é porque não está bloqueada completamente. Introduza-a totalmente até o indicador vermelho não puder ser visto. Se isso não acontecer, a bateria pode cair acidentalmente da ferramenta, causando-lhe ferimentos a si ou alguém perto de si.

**⚠PRECAUÇÃO:** Agarre na ferramenta firmemente e coloque o bocal de impacto sobre o perno ou a porca. Ligue a ferramenta e aperte durante o tempo de aperto adequado.

**⚠PRECAUÇÃO:** Se a ferramenta funcionar continuamente até descarregar a bateria, deixe a ferramenta descansar durante 15 minutos antes de continuar com uma bateria nova.

**⚠PRECAUÇÃO:** Não acelerará a perfuração se exercer demasiada pressão na ferramenta. Na realidade, esta pressão excessiva servirá apenas para danificar a ponta da broca de perfuração, diminuir o desempenho da ferramenta e encurtar o tempo de vida útil da ferramenta.

**⚠PRECAUÇÃO:** Fixe sempre as peças de trabalho num torno ou outro dispositivo de fixação semelhante.

► Fig.17

O binário de aperto adequado pode diferir dependendo do tipo ou do tamanho do perno, do material da peça de trabalho a ser apertada, etc.

**OBSERVAÇÃO:** Quando apertar pernos pequenos, ajuste cuidadosamente a pressão no gatilho do interruptor para que o perno não fique danificado.

**OBSERVAÇÃO:** Agarre na ferramenta apontando-a a direito para o perno ou a porca.

**OBSERVAÇÃO:** Um binário de aperto excessivo pode danificar o perno/porca ou o bocal de impacto. Antes de iniciar o trabalho, execute sempre uma operação de teste para determinar o tempo de aperto adequado para o perno ou porca.

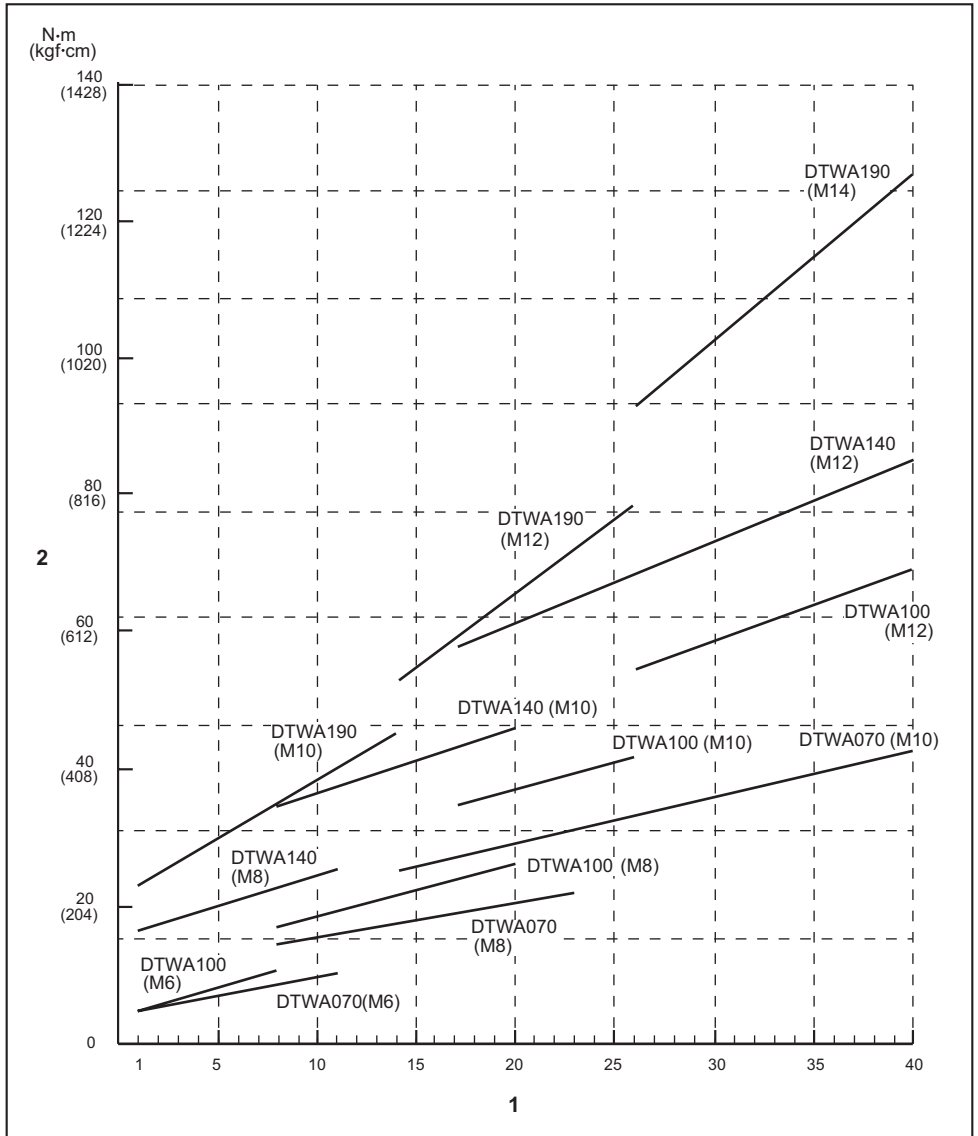
O binário de aperto é afetado por uma enorme variedade de fatores, incluindo o seguinte. Depois do aperto, verifique sempre o binário com uma chave de binário.

1. Quando a bateria está quase completamente descarregada, a tensão baixará e o binário de aperto será reduzido.
2. Bocal de impacto
  - A utilização de um bocal de impacto de tamanho incorreto causará uma redução no binário de aperto.
  - Um bocal de impacto gasto (desgaste na extremidade hexagonal ou na extremidade quadrada) causará uma redução no binário de aperto.
3. Perno
  - Mesmo que o coeficiente do binário e o tipo do perno sejam o mesmo, o binário de aperto adequado será diferente de acordo com o diâmetro do perno.
  - Mesmo que os diâmetros dos pernos sejam os mesmos, o binário de aperto adequado será diferente de acordo com o coeficiente do binário, o tipo e o comprimento do perno.
4. A utilização da junta universal ou da barra de extensão reduz um pouco a força de aperto da chave de impacto. Compense apertando durante um período de tempo mais longo.
5. O modo de pegar na ferramenta ou o material na posição a ser aparafusado afetará o binário.
6. Funcionar com a ferramenta a baixa velocidade causará redução do binário de aperto.

## Binário de aperto e nível de binário

**NOTA:** Este valor de referência é medido em conformidade com as condições de medição especificadas pela Makita.

**NOTA:** O valor efetivo pode diferir de acordo com as circunstâncias dos fixadores, materiais e método de aperto. Realize um aperto de teste antes do trabalho efetivo.



1. Nível de binário 2. Binário de aperto

# MANUTENÇÃO

**⚠️ PRECAUÇÃO:** Certifique-se sempre de que a ferramenta se encontra desligada e de que a bateria foi retirada antes de executar qualquer inspeção ou manutenção.

**OBSERVAÇÃO:** Nunca utilize gasolina, benzina, diluente, álcool ou produtos semelhantes. Pode ocorrer a descoloração, deformação ou rachaduras.

Para manter a SEGURANÇA e a FIABILIDADE do produto, as reparações e qualquer outra manutenção ou ajuste devem ser levados a cabo pelos centros de assistência Makita autorizados ou pelos centros de assistência de fábrica, utilizando sempre peças de substituição Makita.

# ACESSÓRIOS OPCIONAIS

**⚠️ PRECAUÇÃO:** Estes acessórios ou peças são recomendados para utilização com a ferramenta Makita especificada neste manual. A utilização de outros acessórios ou peças pode ser perigosa para as pessoas. Utilize apenas acessórios ou peças para os fins indicados.

Se necessitar de informações adicionais relativas a estes acessórios, solicite-as ao seu centro de assistência Makita.

- Gancho
- Protetor (azul, vermelho, amarelo, verde, transparente)
- Protetor de bateria para BL1460A
- Protetor de bateria para BL1415NA
- Bateria e carregador genuínos da Makita
- Cabo USB

**NOTA:** Alguns itens da lista podem estar incluídos na embalagem da ferramenta como acessórios padrão. Eles podem variar de país para país.

## SPECIFIKATIONER

Model:		DTWA070	DTWA100	DTWA140	DTWA190
Fastspændingskapacitet	Standardbolt	M5 - M12		M6 - M16	M8 - M16
	Højstyrkebolt	M5 - M10		M6 - M12	M8 - M14
Maksimalt drejningsmoment		65 N•m	95 N•m	140 N•m	185 N•m
Momentområde		Ca. 5 - 40 N•m	Ca. 6 - 65 N•m	Ca. 18 - 80 N•m	Ca. 25 - 125 N•m
Firkantet drev		9,5 mm		12,7 mm	
Hastighed uden belastning (o/min.)		0 - 2.500 min <sup>-1</sup>	0 - 2.700 min <sup>-1</sup>		0 - 2.600 min <sup>-1</sup>
Slag pr. minut		0 - 3.700 min <sup>-1</sup>	0 - 3.300 min <sup>-1</sup>		0 - 3.000 min <sup>-1</sup>
Længde i alt		144 mm	151 mm	158 mm	
Nominal spænding		DC 14,4 V			
Nettovægt		1,1 - 1,4 kg	1,2 - 1,4 kg	1,2 - 1,5 kg	1,3 - 1,6 kg
Anvendeligt USB-kabel		661432-2			

- På grund af vores kontinuerlige forsknings- og udviklingsprogrammer kan hosstående specifikationer blive ændret uden varsel.
- Specifikationer kan variere fra land til land.
- Vægten kan være anderledes afhængigt af tilbehøret, inklusive akkuen. Den letteste og tungeste kombination i henhold til EPTA-procedure 01/2014 er vist i tabellen.

## Anvendelig akku og oplader

Akku	BL1415N / BL1415NA / BL1430B / BL1440 / BL1460A / BL1460B
Oplader	DC18RC / DC18RD / DC18RE / DC18SD / DC18SE / DC18SF / DC18SH

- Nogle af de akkuer og opladere, der er angivet ovenfor, er muligvis ikke tilgængelige, afhængigt af hvilket område du bor i.

**⚠ ADVARSEL:** Brug kun de akkuer og opladere, der er angivet ovenfor. Brug af andre akkuer og opladere kan medføre personskade og/eller brand.

## Tilsigtet anvendelse

Denne maskine er beregnet til tilspænding af bolte og møtrikker.

## Støj

Det typiske A-vægtede støjniveau bestemmt i overensstemmelse med EN62841-2-2:

### Model DTWA070

Lydtryksniveau ( $L_{pA}$ ): 92 dB (A)  
 Lydeffektniveau ( $L_{WA}$ ): 103 dB (A)  
 Usikkerhed (K): 3 dB (A)

### Model DTWA100

Lydtryksniveau ( $L_{pA}$ ): 93 dB (A)  
 Lydeffektniveau ( $L_{WA}$ ): 104 dB (A)  
 Usikkerhed (K): 3 dB (A)

### Model DTWA140

Lydtryksniveau ( $L_{pA}$ ): 96 dB (A)  
 Lydeffektniveau ( $L_{WA}$ ): 107 dB (A)  
 Usikkerhed (K): 3 dB (A)

### Model DTWA190

Lydtryksniveau ( $L_{pA}$ ): 95 dB (A)  
 Lydeffektniveau ( $L_{WA}$ ): 106 dB (A)  
 Usikkerhed (K): 3 dB (A)

**BEMÆRK:** De(n) angivne støjemissionsværdi(er) er målt i overensstemmelse med en standardtestmetode og kan anvendes til at sammenligne en maskine med en anden.

**BEMÆRK:** De(n) angivne støjemissionsværdi(er) kan også anvendes i en præliminær eksponeringsvurdering.

**⚠ ADVARSEL:** Bær høreværn.

**⚠ ADVARSEL:** Støjemissionen under den faktiske anvendelse af maskinen kan være forskellig fra de(n) angivne værdi(er), afhængigt af den måde hvorpå maskinen anvendes, især den type arbejdsømne der behandles.

**⚠ ADVARSEL:** Sørg for at identificere de sikkerhedsforskrifter til beskyttelse af operatøren, som er baseret på en vurdering af eksponering under de faktiske brugsforhold (med hensyntagen til alle dele i brugscyklussen, f.eks. de gange, hvor maskinen er slukket, og når den kører i tomgang i tilgift til afbrydertiden).



## Vibration

Vibrationens totalværdi (tre-aksial vektorsum) bestemt i overensstemmelse med EN62841-2-2:

### Model DTWA070

Arbejdstilstand: slagstramning af fastgøringsanordninger med maksimal kapacitet for maskinen

Vibrationsemission ( $a_{\text{h}}$ ): 9,0 m/s<sup>2</sup>

Usikkerhed (K): 1,5 m/s<sup>2</sup>

### Model DTWA100

Arbejdstilstand: slagstramning af fastgøringsanordninger med maksimal kapacitet for maskinen

Vibrationsemission ( $a_{\text{h}}$ ): 8,5 m/s<sup>2</sup>

Usikkerhed (K): 1,5 m/s<sup>2</sup>

### Model DTWA140

Arbejdstilstand: slagstramning af fastgøringsanordninger med maksimal kapacitet for maskinen

Vibrationsemission ( $a_{\text{h}}$ ): 10,0 m/s<sup>2</sup>

Usikkerhed (K): 1,5 m/s<sup>2</sup>

### Model DTWA190

Arbejdstilstand: slagstramning af fastgøringsanordninger med maksimal kapacitet for maskinen

Vibrationsemission ( $a_{\text{h}}$ ): 10,5 m/s<sup>2</sup>

Usikkerhed (K): 1,5 m/s<sup>2</sup>

**BEMÆRK:** De(n) angivne totalværdi(er) for vibration er målt i overensstemmelse med en standardtestmetode og kan anvendes til at sammenligne en maskine med en anden.

**BEMÆRK:** De(n) angivne totalværdi(er) for vibration kan også anvendes i en præliminær eksponeringsvurdering.

**⚠ ADVARSEL:** Vibrationsemissionen under den faktiske anvendelse af maskinen kan være forskellig fra de(n) angivne værdi(er), afhængigt af den måde hvorpå maskinen anvendes, især den type arbejdsemne der behandles.

**⚠ ADVARSEL:** Sørg for at identificere de sikkerhedsforskrifter til beskyttelse af operatøren, som er baseret på en vurdering af eksponering under de faktiske brugsforhold (med hensyntagen til alle dele i brugscyklussen, f.eks. de gange, hvor maskinen er slukket, og når den kører i tomgang i tilgift til afbrydertiden).

## EF-overensstemmelseserklæring

### Kun for lande i Europa

EF-overensstemmelseserklæringen er inkluderet som Bilag A i denne brugsanvisning.

## SIKKERHEDSADVARSLER

### Almindelige sikkerhedsregler for el-værktøj

**⚠ ADVARSEL:** Læs alle de sikkerhedsadvarsler, instruktioner, illustrationer og specifikationer, der følger med denne maskine. Forsømmelse af at overholde alle nedenstående instruktioner kan medføre elektrisk stød, brand og/eller alvorlig personskade.

## Gem alle advarsler og instruktioner til fremtidig reference.

Ordet "el-værktøj" i advarslerne henviser til det netforsynede (netledning) el-værktøj eller batteriforsynede (akku) el-værktøj.

## Sikkerhedsadvarsler for elektronisk akku slagnøgle

1. **Hold kun maskinen i de isolerede grebflader, når De udfører arbejde, hvor fastgøringsanordningen kan komme i kontakt med skjulte ledninger.** Fastgørelsesanordninger, som kommer i kontakt med en strømførende ledning kan gøre uafdækkede metaldele på maskinen strømførende og give operatøren stød.
2. **Brug høreværn.**
3. **Kontrollér omhyggeligt slagtoppen for slitage, revner eller beskadigelse før montering.**
4. **Hold maskinen godt fast.**
5. **Hold hænderne væk fra roterende dele.**
6. **Rør ikke ved slagtoppen, boltene, møtrikken eller arbejdsemnet umiddelbart efter brug.** Disse kan være ekstremt varme og kan medføre forbrændinger.
7. **Sørg for at stå på et fast underlag. Sørg for at der ikke opholder sig personer under arbejdsområdet, når De arbejder i højden.**
8. **Det korrekte tilspændingsmoment kan variere afhængigt af boltens type eller størrelse. Kontrollér tilspændingsmomentet med en momentnøgle.**
9. **Sørg for, at der ikke er nogen elledninger, vandrør, gasrør osv., der kan udgøre en fare, hvis de beskadiges ved brug af maskinen.**

## GEM DENNE BRUGSANVISNING.

**⚠ ADVARSEL:** LAD IKKE bekvemmelighed eller kendskab til produktet (opnået gennem gentagen brug) forhindre, at sikkerhedsforskrifterne for produktet nøje overholdes.

**MISBRUG** eller forsømmelse af at følge de i denne brugsvejledning givne sikkerhedsforskrifter kan føre til, at De kommer alvorligt til skade.

## Vigtige sikkerhedsinstruktioner for akkuen

1. **Læs alle instruktioner og advarselmærkater på (1) akku-opladeren, (2) akkuen og (3) produktet, som anvender akku.**
2. **Adskil eller ændr ikke akkuen.** Det kan muligvis resultere i en brand, overdreven varme eller eksplosion.
3. **Hold straks op med anvendelsen, hvis brugstiden er blevet stærkt afkortet.** Forsæt anvendelse kan resultere i risiko for overophedning, forbrændinger og endog eksplosion.
4. **Hvis De har fået elektrolytvæske i øjnene, skal De straks skylle den ud med rent vand og derefter øjeblikkeligt søge lægehjælp.** I modsat fald kan De miste synet.

5. Vær påpasselig med ikke at komme til at kortslutte akkuen:
  - (1) Rør ikke ved terminalerne med noget ledende materiale.
  - (2) Udgå at opbevare akkuen i en beholder sammen med andre genstande af metal, for eksempel søm, mønter og lignende.
  - (3) Udsæt ikke akkuen for vand eller regn. Kortslutning af akkuen kan forårsage en kraftig øgning af strømmen, overophedning, muligvis forbrændinger og endog værktøjstop.
6. Opbevar og brug ikke maskinen og akkuen på steder, hvor temperaturen muligvis kan nå eller overstige 50 °C.
7. Lad være med at brænde akkuen, selv ikke i tilfælde, hvor den har lidt alvorlig skade eller er fuldstændig udtjent. Akkuen kan eksplodere, hvis man forsøger at brænde den.
8. Slå ikke søm i, skær ikke i, knus, kast, tab ikke akkuen og stød ikke akkuen mod en hård genstand. Sådanne adfærd kan muligvis resultere i en brand, overdreven varme eller eksplosion.
9. Anvend ikke en beskadiget akku.
10. De indbyggede litium-ion-batterier er underlagt lovkrav vedrørende farligt gods. Ved kommerciel transport, f.eks. af tredjeparts transportselskaber, skal særlige krav til forpakning og mærkning overholdes. Ved forberedelse af udstyret til forsendelse skal du kontakte en ekspert i farligt gods. Overhold også eventuel mere detaljeret national lovgivning. Tape eller tildæk åbne kontakter, og pak batteriet på en måde, så det ikke kan flytte sig rundt i pakningen.
11. Når akkuen bortskaftes, skal du fjerne den fra maskinen og bortskaften den på et sikkert sted. Følg de lokale love vedrørende bortskaftelsen af batterier.
12. Brug kun batterierne med de produkter, som Makita specificerer. Hvis batterierne installeres i ikke-kompatible produkter, kan det medføre brand, kraftig varme, eksplosion eller udsivning af elektrolyt.
13. Hvis maskinen ikke skal bruges i længere tid ad gangen, skal du fjerne batteriet fra maskinen.
14. Akkuen kan muligvis under og efter brug være varm, hvilket kan forårsage forbrændinger eller lavtemperaturforbrændinger. Vær påpasselig med håndtering af varme akkuer.
15. Rør ikke terminalen på maskinen straks efter brug, da den bliver varm nok til at forårsage forbrændinger.
16. Sørg for at spåner, støv eller jord ikke sætter sig fast inde i terminalerne, hullerne og rillerne på akkuen. Det kan muligvis medføre dårlig ydelse eller nedbrud af maskinen eller akkuen.
17. Medmindre maskinen understøtter brugen i nærheden af elektriske højspændingsledninger, skal du ikke anvende akkuen i nærheden af elektriske højspændingsledninger. Det kan muligvis medføre funktionsfejl på eller nedbrud af maskinen eller akkuen.
18. Opbevar batteriet utilgængeligt for børn.

**⚠FORSIGTIG:** Brug kun originale batterier fra Makita. Brug af uoriginale Makita-batterier, eller batterier som er blevet ændret, kan muligvis medføre brud på batteriet, hvilket kan forårsage brand, personskade eller beskadigelse. Det ugyldiggør også Makita-garantien for Makita-maskinen og opladeren.

## Tips til opnåelse af maksimal akku-levetid

1. Oplad akkuen, inden den er helt afladet. Stop altid værktøjet, og oplad akkuen, hvis De bemærker, at værktøjeffekten er aftagende.
2. Genoplad aldrig en fuldt opladet akku. Overopladning vil forkorte akkuens levetid.
3. Oplad akkuen ved stuetemperatur ved 10 °C - 40 °C. Lad altid en varm akku få tid til at køle af, inden den oplades.
4. Når du ikke anvender akkuen, skal du fjerne den fra maskinen eller opladeren.
5. Oplad akkuen, hvis De ikke skal bruge den i længere tid (mere end seks måneder).

## FUNKTIONSBEKRIVELSE

**⚠FORSIGTIG:** Sørg altid for at maskinen er slukket, og at akkuen er taget ud, før der udføres justering eller kontrol af funktioner på maskinen.

### Isætning eller fjernelse af akkuen

**⚠FORSIGTIG:** Sluk altid for værktøjet, før De monterer eller fjerner akkuen.

**⚠FORSIGTIG:** Hold værktøjet og akkuen fast ved montering eller fjernelse af akkuen. Hvis De ikke holder værktøjet og akkuen fast, kan de glide ud af hænderne på Dem og forårsage beskadigelse af værktøjet og akkuen eller personskade.

► Fig. 1: 1. Rød indikator 2. Knap 3. Akku

Akkuen fjernes ved, at De trækker den ud af værktøjet, idet De skyder knappen på forsiden af akkuen i stilling.

For at montere akkuen skal du justere tungen på akkuen med rillen i huset og skubbe den på plads. Indsæt den hele vejen, indtil den låses på plads med et lille klik. Hvis du kan se den røde indikator, som vist i figuren, er den ikke helt låst.

**⚠FORSIGTIG:** Monter altid akkuen helt, indtil den røde indikator ikke længere er synlig. Hvis dette ikke gøres, kan den falde ud af værktøjet ved et uheld, hvorved De selv eller personer i nærheden kan komme til skade.

**⚠FORSIGTIG:** Brug ikke magt ved montering af akkuen. Hvis akkuen ikke glider på plads uden problemer, betyder det, at den ikke sættes i på korrekt vis.

**GEM DENNE BRUGSANVISNING.**

## Beskyttelsessystem til værktøj/batteri

Maskinen er udstyret med et beskyttelsessystem til maskinen/batteriet. Dette system afbryder automatisk strømmen til motoren for at forlænge maskinens og batteriets levetid. Maskinen stopper automatisk under brugen, hvis maskinen eller batteriet udsættes for et af følgende forhold:

### Overbelastningsbeskyttelse

Hvis batteriet bruges på en måde, der får det til at trække en unormalt høj strøm, stopper maskinen automatisk uden indikation. Sluk i så fald for maskinen, og stop den anvendelse, der medførte overbelastningen af maskinen. Tænd derefter for maskinen for at starte igen.

### Beskyttelse mod overophedning

Hvis maskinen/batteriet er overophedet, stopper maskinen automatisk. Lad i så fald maskinen/batteriet køle ned, før der tændes for maskinen igen.

### Beskyttelse mod overafledning

Når batteriladningen er utilstrækkelig, stopper maskinen automatisk. Tag i så fald akkuen ud af maskinen, og oplad akkuen.

## Kontrol af den resterende batterikapacitet (BL1460A)

► Fig.2: 1. Indikatorlampe 2. Kontrolknop

**BEMÆRK:** Afhængigt af brugsforholdene og den omgivende temperatur kan indikationen afvige en smule fra den faktiske ladning.

### Under opladning

Når opladningen starter, begynder den første indikatorlampe (længst mod venstre) at blinke. Efterhånden som opladningen fortsætter, lyser de andre lamper derefter én efter én for at angive batterikapaciteten.

**BEMÆRK:** Hvis indikatorlampen ikke tændes eller blinker under opladningen, er batteriet muligvis defekt. Kontakt i så fald det lokale servicecenter.

### Under brug

Når der tændes for maskinen, lyser lampene for at vise den resterende batterikapacitet. Når der slukkes for maskinen, går lyset ud efter cirka 5 sekunder.

Hvis du trykker på kontrolknappen, mens der er slukket for maskinen, lyser indikatorlamperne i cirka 5 sekunder for at vise batterikapaciteten.

Hvis den orange lampe blinker, stopper maskinen på grund af lav resterende batterikapacitet (automatisk stopmekanisme). Oplad akkuen, eller brug en opladet akku på dette tidspunkt.

Hvis maskinen anvendes med et batteri, der ikke har været brugt i længere tid, og der tændes for den, lyser ingen af lampene muligvis. Maskinen stopper på grund af lav resterende batterikapacitet på dette tidspunkt. Oplad batteriet korrekt.

## Afbryderbetjening

► Fig.3: 1. Afbryderknop

**⚠FORSIGTIG:** Inden akkuen sættes i maskinen, bør De altid kontrollere, at afbryderknappen fungerer korrekt, og returnerer til "OFF"-positionen, når den slippes.

For at starte maskinen trykkes der blot på afbryderknappen. Maskinens hastighed øges ved at øge trykket på afbryderknappen. Slip afbryderknappen for at stoppe.

**BEMÆRK:** Maskinen stopper automatisk, hvis De bliver ved med at trykke på afbryderknappen i cirka 3 minutter.

## Tænding af lampen foran

► Fig.4: 1. Lampe

**⚠FORSIGTIG:** Kig aldrig direkte på lyskilden. Lad ikke lyset falde i Deres øjne.

Tryk afbryderknappen ind for at tænde for lampen. Lampen fortsætter med at lyse, så længe afbryderknappen trykkes ind. Lampen slukker omkring 10 sekunder efter at afbryderknappen er udløst.

**BEMÆRK:** Brug en tør klud til at tørre snavset af lampens linse. Pas på ikke at ridse lampens linse, da dette muligvis kan dæmpe belysningen.

## Omløbsvælgerbetjening

► Fig.5: 1. Omløbsvælger

**⚠FORSIGTIG:** Kontrollér altid omløbsretningen, inden arbejdet påbegyndes.

**⚠FORSIGTIG:** Flyt kun omløbsvælgeren, når maskinen er helt standset. Hvis omløbsretningen ændres, inden maskinen er helt stoppet, kan det beskadige maskinen.

**⚠FORSIGTIG:** Sæt altid omløbsvælgeren i neutral stilling, når maskinen ikke anvendes.

Denne maskinen har en omløbsvælger til at skifte omløbsretning. Skub omløbsvælgeren ind fra A-siden for omdrejning med uret, og fra B-siden for omdrejning mod uret.

Når omløbsvælgeren er i neutral stilling, kan afbryderknappen ikke trykkes ind.

## Ændring af parameterindstillingen på computeren

Du kan konfigurere detaljeret indstilling af maskinen med softwareprogrammet "Makita Industry Tool Settings". Installer softwareprogrammet på computeren, og tilslut maskinen til computeren vha. et USB-kabel. Se også i brugsanvisningen til "Makita Industry Tool Settings" angående detaljer om konfiguration.

► Fig.6: 1. USB-port 2. USB-dæksel 3. USB-kabel

**BEMÆRKNING:** Sørg for, at USB-dækslet er lukket under tilslutning.

**BEMÆRK:** Når omløbsvælgeren er trykket ned i omdrejningen med uret, viser indikatoren indstillingen for omdrejning med uret.

Når omløbsvælgeren er trykket ned i omdrejningen mod uret, viser indikatoren indstillingen for omdrejning mod uret.

**BEMÆRK:** Brug forudindstillet antal som retningslinje. For at bevare drejningsmomentet ændres antallet af slag automatisk i overensstemmelse med den resterende batteriladning.

**BEMÆRK:** Tilslut din computer til maskinen ved hjælp af det originale Makita USB-kabel. Se afsnittet "SPECIFIKATIONER".

**BEMÆRK:** Kontakt en salgsrepræsentant fra Makita vedrørende softwareprogrammet.

## Ændring af parameterindstillingen på maskinen (feltindstillingstilstand)

**BEMÆRKNING:** Denne funktion er til rådighed som standard. Hvis du har deaktiveret feltindstillingstilstanden på computeren, skal du aktivere denne funktion på forhånd. Se også i brugsanvisningen til "Makita Industry Tool Settings" angående konfiguration.

**BEMÆRKNING:** Hvis feltindstillingstilstanden er deaktiveret, er det ikke muligt at udføre indstillinger på maskinen. Når du trykker på indstillingsknappen, vises de værdier, som er indstillet på maskinen, i rækkefølge.

Det aktuelle indstillingsnummer vises på indikatoren.

Hver gang du trykker på indstillingsknappen, viser indikatoren momentniveau, nedkørselsniveau, brugbart tidsrum og "Ad".

► **Fig.7:** 1. Indstillingsknop 2. Indikator

Du kan ændre de følgende parameterindstillinger på din maskine:

- Automatisk stop-indstilling / Fri-tilstand

Indstillingsemne	Visning på indikatoren	Beskrivelse
Momentniveau	01 - 40 FF OP	Det momentniveau for hvilket Automatisk stop for tilspænding-tilstanden fungerer
Nedkørselsniveau	L1 - L7 OP	Følsomheden af fastgørelsesmiddelsædet
Brugbart tidsrum	Lo: 0.1 - 9.9 Hi: 0.1 - 9.9 --	Den korteste/længste varighed af omdrejningen, når du fortsætter med at trykke på afbryderknappen.

**BEMÆRKNING:** Hvis "OP" (Automatisk stop for løsning-tilstand) vises på indikatoren, er momentniveau- og nedkørselsniveau-indstilling ikke til rådighed. I dette tilfælde skal du ændre tilstanden til Automatisk stop for tilspænding-tilstand og derefter indstille momentniveauet og nedkørselsniveauet på computeren vha. "Makita Industry Tool Settings".

## Ændring af momentniveauet

Når momentniveauet ændres fra 23 til 34

► **Fig.8**

1. Tryk flere gange på indstillingsknappen indtil indikatoren viser et 2-cifret tal, som står for den aktuelle indstilling for momentniveauet.
2. Tryk og hold på indstillingsknappen indtil nummeret på tier-pladsen begynder at blinke.
3. Indstil nummeret på tier-pladsen ved at trykke kortvarigt på indstillingsknappen. Hver gang du trykker på indstillingsknappen, viser indikatoren nummeret fra "0" til "4" og "F" i en cyklus.
4. Tryk og hold på indstillingsknappen indtil nummeret på ener-pladsen begynder at blinke.
5. Indstil nummeret på ener-pladsen ved at trykke kortvarigt på indstillingsknappen. Hver gang du trykker på indstillingsknappen, viser indikatoren nummeret fra "0" til "9" og "F" i en cyklus.
6. Tryk og hold på indstillingsknappen i nogle få sekunder.

**BEMÆRK:** Hvis du ikke er sikker på hvilket momentniveau, som er egnet til dit arbejde, skal du indstille "FF", så maskinen fungerer i Fri-tilstanden.

**BEMÆRK:** Hvis du indtaster "00", vises der "FF" i stedet for "00".

## Ændring af nedkørselsniveauet

Når nedkørselsniveauet ændres fra L1 til L2

► **Fig.9**

1. Tryk flere gange på indstillingsknappen indtil indikatoren viser 2 tegn begyndende med "L" efterfulgt af et tal. Dette står for den aktuelle indstilling for nedkørselsniveauet.
2. Tryk og hold på indstillingsknappen indtil indikatoren begynder at blinke.
3. Indstil nedkørselsniveauet. Hver gang du trykker på indstillingsknappen, viser indikatoren fra "L1" til "L7" i en cyklus. Det laveste nedkørselsniveau er "L1", og "L7" er det højeste.
4. Tryk og hold på indstillingsknappen i nogle få sekunder.

## Ændring af det korteste brugbare tidsrum

Når det korteste brugbare tidsrum ændres fra 2.5 til 3.6

► Fig.10

1. Tryk flere gange på indstillingsknappen indtil indikatoren viser "Lo" og nummer skiftevist. Dette står for den aktuelle indstilling for det korteste brugbare tidsrum.
2. Tryk og hold på indstillingsknappen indtil nummeret på ener-pladsen begynder at blinke.
3. Indstil nummeret på ener-pladsen ved at trykke kortvarigt på indstillingsknappen. Hver gang du trykker på indstillingsknappen, viser indikatoren nummeret fra "0" til "9" i en cyklus.
4. Tryk og hold på indstillingsknappen indtil nummeret på decimalpladsen begynder at blinke.
5. Indstil nummeret på decimalpladsen ved at trykke kortvarigt på indstillingsknappen. Hver gang du trykker på indstillingsknappen, viser indikatoren nummeret fra "0" til "9" i en cyklus.
6. Tryk og hold på indstillingsknappen i nogle få sekunder.

**BEMÆRK:** Når du indstiller en værdi mindre end "0.1" som det korteste brugbare tidsrum, viser indikatoren "-.-", og det korteste brugbare tidsrum bliver deaktiveret. For at indtaste "-.-" skal du indstille værdien til "0.9" og derefter trykke på indstillingsknappen, når nummeret på ener-pladsen blinker.

## Ændring af det længste brugbare tidsrum

Når det længste brugbare tidsrum ændres fra 2.5 til 3.6

► Fig.11

1. Tryk flere gange på indstillingsknappen indtil indikatoren viser "Hl" og nummer skiftevist. Dette står for den aktuelle indstilling for det længste brugbare tidsrum.
2. Tryk og hold på indstillingsknappen indtil nummeret på ener-pladsen begynder at blinke.
3. Indstil nummeret på ener-pladsen ved at trykke kortvarigt på indstillingsknappen. Hver gang du trykker på indstillingsknappen, viser indikatoren nummeret fra "0" til "9" i en cyklus.
4. Tryk og hold på indstillingsknappen indtil nummeret på decimalpladsen begynder at blinke.
5. Indstil nummeret på decimalpladsen ved at trykke kortvarigt på indstillingsknappen. Hver gang du trykker på indstillingsknappen, viser indikatoren nummeret fra "0" til "9" i en cyklus.
6. Tryk og hold på indstillingsknappen i nogle få sekunder.

**BEMÆRK:** Når du indstiller en værdi større end "9.9" som det længste brugbare tidsrum, viser indikatoren "-.-", og det længste brugbare tidsrum bliver deaktiveret. For at indtaste "-.-" skal du indstille værdien til "9.9" og derefter trykke på indstillingsknappen, når nummeret på ener-pladsen blinker.

## Måling af en faktisk betjening (selvdiagnose)

**BEMÆRKNING:** Denne funktion er til rådighed som standard. Hvis du har deaktiveret feltindstillingstilstanden på computeren, skal du aktivere denne funktion på forhånd. Se også i brugsanvisningen til "Makita Industry Tool Settings" angående konfiguration.

Du kan måle momentniveauet og driftstiden for en faktisk betjening ved at betjene maskinen. Målt momentniveau og tid kan anvendes til fx:

- Reproduktion af en momentkontrolteknik af en fagligt dygtig arbejder og;
- En tidsreference for indstillingen af det korteste/længste brugbare tidsrum.

## Måling af momentniveauet og driftstiden

1. Tryk flere gange på indstillingsknappen indtil der vises "Ad." på indikatoren.
2. Tryk og hold på indstillingsknappen indtil indikatoren viser "Ch".
3. Udfør den betjening som du ønsker at måle driftstiden for.
  - Hvis du har konfigureret momentniveauet, skal du betjene maskinen, indtil den stopper i Automatisk stop for tilspænding-tilstanden.
  - Hvis du ikke har konfigureret momentniveauet (Fri-tilstand), skal du betjene maskinen som nødvendigt.
4. Kontroller det målte resultat. Tryk én gang på indstillingsknappen for at få vist det faktiske momentniveau, og tryk én gang mere på den for at få vist den faktiske driftstid. Hver gang du trykker på indstillingsknappen, viser indikatoren "Ch", nummeret for det aktuelle momentniveau og nummeret for den faktiske driftstid i en cyklus.
5. Tryk og hold på indstillingsknappen for at afslutte selvdiagnosen.

**BEMÆRK:** Automatisk stop for tilspænding-tilstanden fungerer selv i selvdiagnosen. Hvis du ønsker at måle momentniveauet uden begrænsning, skal du indstille momentniveauet "FF" (Fri-tilstand) og udføre procedurerne ovenfor.

**BEMÆRK:** Hvis "-.-" vises på indikatoren, fungerede slaget ikke, eller momentniveauet er højere end 40. Hvis "-.-" vises på indikatoren, oversteg driftstiden 9,9 sekunder.

- I tilfælde af at slaget ikke fungerede: Mål momentniveauet igen med længere brugbar tid.
- I tilfælde af at momentniveauet er højere end 40: Maskinen kan ikke måle momentniveauet. Brug maskinen med et højere momentområde, hvis det er til rådighed.
- I tilfælde af at driftstiden oversteg 9,9 sekunder, er det brugbare tidsrum ikke til rådighed.

Måleeksempel:

Hvis du konfigurerer den følgende indstilling, kan du læse maskinstatussen.

Eksempel 1

Indstillingsemne	Maskinindstilling	Målt resultat	Diagnose
Momentniveau	23	20	Maskinen er stoppet af indstillingen for det længste brugbare tidsrum (3,5 sek.), inden den når indstillingen for Automatisk stop for tilspænding-tilstanden (momentniveau 23).
Brugbart tidsrum	kortest: 2,5 sek. længst: 3,5 sek.	3,5	

Eksempel 2

Indstillingsemne	Maskinindstilling	Målt resultat	Diagnose
Momentniveau	23	23	Maskinen er stoppet af Automatisk stop for tilspænding-tilstanden (momentniveau 23), inden den når indstillingen for det længste brugbare tidsrum (3,5 sek.).
Brugbart tidsrum	kortest: 2,5 sek. længst: 3,5 sek.	3	

## LED-indikator/bipper

► **Fig.12: 1.** LED-indikator

LED-indikatoren/bipperen på maskinen viser følgende funktioner.

Alar.nr.	Funktion	Maskinens status	Status for LED-indikatoren/bipperen		Handling, der skal udføres
			LED-indikator	Bipper	
E0	Batterinstallationsfejl	Hvis akkuen installeres, mens der trykkes på afbryderknappen, stopper maskinen for at undgå utilsigtet start.	Blinker skiftevis rødt og grønt.	En serie af lange bip	Installer akkuen med afbryderknappen sluppet.
E1	Automatisk stop	Batteriladningen blev lav, og det er tid til at udskifte akkuen.	Blinker skiftevis rødt og grønt.	En serie af lange bip	Udskift batteriet med et, der er fuldt opladet.
E2	Anti-nulstilling af kontrolenhed	Batterispændingen faldt unormalt af en eller anden grund, og maskinen stoppede.	Blinker skiftevis rødt og grønt.	En serie af lange bip	Udskift batteriet med et, der er fuldt opladet.
E3	Automatisk stop ved lav resterende batteriladning	Batteriladningen er næsten brugt op, og maskinen er stoppet.	Lyser rødt.	Et langt bip	Udskift batteriet med et, der er fuldt opladet.
E4	Overbelastningsbeskyttelse	Maskinen blev overbelastet og stoppede.	Blinker skiftevis rødt og grønt.	En serie af lange bip	Fjern årsagen til overbelastningen og genstart derefter maskinen. Kontakt det lokale Makita-servicecenter for reparation.
E5	Overophedningsbeskyttelse	Maskinens kontrolenhed blev unormalt varm, og maskinen stoppede.	Blinker hurtigt rødt.	En serie af lange bip	Tag akkuen ud med det samme, og lad maskinen køle af.
E6	Motorlås	Motoren er blevet låst. På dette tidspunkt fungerer maskinen ikke.	Blinker skiftevis rødt og grønt.	En serie af lange bip	Slip afbryderknappen og tryk på den igen.
E7	Motorfejl	Maskinen detekterede en motorfejl. På dette tidspunkt fungerer maskinen ikke.	Blinker skiftevis rødt og grønt.	En serie af lange bip	Kontakt det lokale Makita-servicecenter for reparation.

Alarmer.	Funktion	Maskinens status	Status for LED-indikatoren/bipperen		Handling, der skal udføres
			LED-indikator	Bipper	
E8	Kontaktfejl	Maskinen detekterede en kontaktfejl.	Blinker skiftevis rødt og grønt.	En serie af lange bip	Kontakt det lokale Makita-servicecenter for reparation.
E9	Alarm for brug i længere tid	Maskinen har været tændt i lang tid (ca. 3 minutter).	Blinker skiftevis rødt og grønt.	Et langt bip	Slip afbryderknappen og tryk på den igen.
-	Automatisk stop, når fastgøring er færdig	Det forudindstillede drejningsmoment er nået, og maskinen er stoppet.	Lyser grønt i cirka et sekund.	-	-
-	Alarm for utilstrækkelig fastgøring	Det forudindstillede drejningsmoment er ikke nået, fordi afbryderknappen blev sluppet, før fastgøringen var fuldført.	Lyser grønt i cirka et sekund.	Et langt bip	Stram fastgørelsesmidlet igen.
-	Alarm om grænse for drejningskapacitet	-	Blinker hurtigt rødt.	En serie af lange bip	Udskift batteriet med et, der er fuldt opladet.
-	Vedligeholdelsesalarm	Antallet af idrivinger har nået dit forudindstillede antal for vedligeholdelse.	Blinker gult.	-	Nulstil alarmer ved hjælp af softwareprogrammet.
-	Alarm for ingen kommunikation med pc'en	Ingen datakommunikation mens maskinen er tilsluttet til pc'en.	Blinker gult.	-	Genstart softwareprogrammet, og tilslut USB-kablet igen.
-	Indikation for at maskinen kan kommunikere med pc'en	Maskinen er tilsluttet til pc'en og i stand til at kommunikere med.	Blinker grønt.	-	-
-	Kontroller for lampen og bipperen (når akkuen er installeret)	Maskinen udfører driftstesten for LED-indikatoren (grøn/rød), lyset og bipperen.	LED-indikatoren lyser grønt og derefter rødt. Efter dette tænder lyset i et stykke tid.	En serie af meget korte bip	-

## MONTERING

**⚠FORSIGTIG:** Sørg altid for at maskinen er slukket, og at akkuen er taget ud, før der udføres noget arbejde på maskinen.

### Valg af korrekt slagtop

Anvend altid den korrekte størrelse slagtop til bolte og møtrikker. En slagtop med forkert størrelse vil medføre upræcist og ujævnt tilspændingsmoment og/eller beskadige boltene eller møtrikken.

### Montering eller fjernelse af slagtop

#### Ekstraudstyr

**⚠FORSIGTIG:** Sørg for, at slagtoppen og monteringsdelen ikke er beskadiget, før slagtoppen monteres.

**⚠FORSIGTIG:** Kontroller, at slagtoppen sidder godt fast, når den er sat ind. Undlad at bruge den, hvis den går løs.

**BEMÆRK:** Metoden for montering af slagtoppen varierer afhængigt af typen det firkantede drev på maskinen.

## Maskiner med ringfjeder

### For slagtoppe uden O-ring og stift

► Fig.13: 1. Slagtop 2. Firkantede drev 3. Ringfjeder

Tryk slagtoppen ned over det firkantede drev, indtil den låses på plads.

Slagtoppen fjernes ved ganske enkelt at trække den af.

### For slagtoppe med O-ring og stift

► Fig.14: 1. Slagtop 2. O-ring 3. Stift

Tag O-ringen ud fra rillen i slagtoppen, og fjern stiften fra slagtoppen. Sæt slagtoppen på det firkantede drev, så hullet i slagtoppen flugter med hullet i det firkantede drev.

Sæt stiften gennem hullet i slagtoppen og det firkantede drev. Anbring derefter O-ringen på dens oprindelige plads i rillen på slagtoppen for at holde stiften på plads.

Slagtoppen afmonteres ved at følge fremgangsmåden for montering i omvendt rækkefølge.

## Maskiner med stoppestift

- **Fig.15:** 1. Slagtop 2. Hul 3. Firkantede drev  
4. Stoppestift

Juster hullet i siden på slagtoppen med stoppestiften på det firkantede drev, og tryk slagtoppen på det firkantede drev, så den låses på plads. Bank om nødvendigt let på den.

Slagtoppen fjernes ved ganske enkelt at trække den af. Hvis det er svært at fjerne den, trykkes stoppestiften ned, mens der trækkes i slagtoppen.

## Monteringskrog

### Ekstraudstyr

Krogen er nyttig til ophængning af maskinen. Monter krogen i hullerne på maskinens kabinet.

- **Fig.16:** 1. Krog 2. Hul

## ANVENDELSE

**⚠FORSIGTIG:** Sæt altid akkuen helt ind, indtil den låses på plads. Hvis du kan se den røde indikator på den øverste side af knappen, er den ikke helt låst. Sæt den helt ind, indtil den røde indikator ikke kan ses. I modsat fald kan den ved et uheld falde ud af maskinen og medføre personskaade på dig eller personer i nærheden.

**⚠FORSIGTIG:** Hold godt fast på maskinen, og anbring slagtoppen over boltene eller møtrikken. Tænd for maskinen, og tilspænd til den korrekte tilspændingstid.

**⚠FORSIGTIG:** Hvis maskinen anvendes uafbrudt, indtil akkuen er afladet, skal maskinen have lov til at hvile i 15 minutter, inden den anvendes igen med en frisk akku.

**⚠FORSIGTIG:** Et kraftigere tryk på maskinen vil ikke gøre boringen hurtigere. Faktisk vil et kraftigere tryk kun føre til skade på spidsen af borebitten, nedsætte maskinen ydelse og afkorte maskinens levetid.

**⚠FORSIGTIG:** Fastgør altid arbejdsemner i en skruestik eller lignende udstyr til fastgørelse.

- **Fig.17**

Det korrekte drejningsmoment kan variere afhængigt af boltens type eller størrelse, materialet af det arbejdsemne, der skal fastgøres, osv.

**BEMÆRKNING:** Ved fastgørelse af mindre bolte skal du omhyggeligt justere trykket på afbryderknappen, således at boltene ikke lider skade.

**BEMÆRKNING:** Hold maskinen rettet direkte i retning mod boltene eller møtrikken.

**BEMÆRKNING:** Et ekstremt tilspændingsmoment kan beskadige boltene/møtrikken eller slagtoppen. Inden arbejdet påbegyndes, skal De altid udføre en test for at bestemme den rigtige tilspændingstid for boltene eller møtrikken.

Drejningsmomentet påvirkes af en lang række faktorer, herunder de nedenfor nævnte. Kontrollér altid momentet med en momentnøgle efter fastspænding.

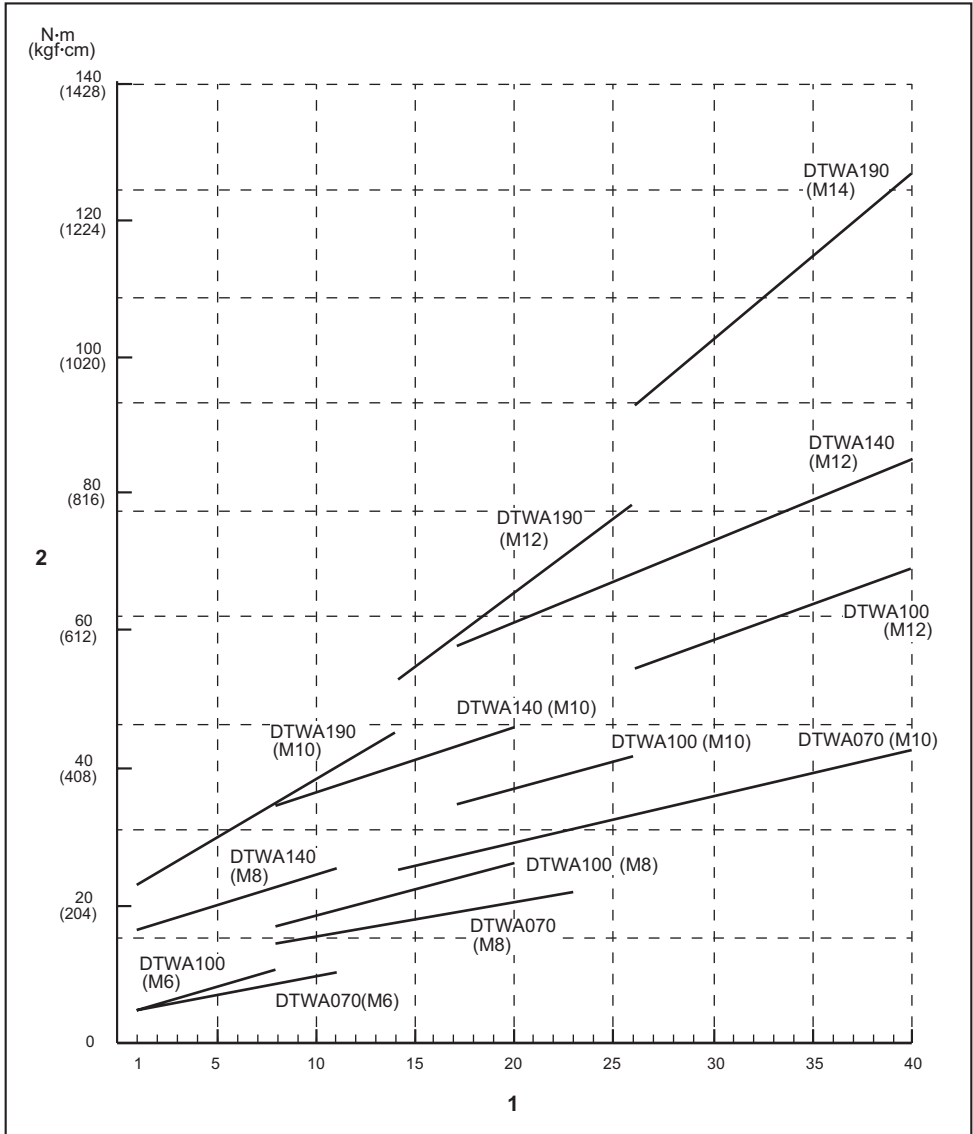
1. Når akkuen er næsten helt afladet, falder spændingen og derved reduceres drejningsmomentet.
2. Slagtop
  - Hvis der ikke anvendes en slagtop af korrekt størrelse, vil det medføre en reduktion af tilspændingsmomentet.
  - En udslidt slagtop (slitage af den sekskantede og firkantede ende) vil medføre en reduktion af tilspændingsmomentet.
3. Bolt
  - Selvom momentkoefficienten og bolttypen er den samme, vil det korrekte drejningsmoment variere afhængigt af diameteren på boltene.
  - Selv ved samme bolt diameter kan det korrekte drejningsmoment variere afhængigt af momentkoefficienten, bolttypen og længden.
4. Brug af kardanleddet eller forlængerstangen reducerer i nogen grad slagtoppens tilspændingskraft. Kompensér for dette ved at tilspænde i længere tid.
5. Den måde maskinen holdes på, og materialet på det sted, hvor der fastgøres, vil påvirke drejningsmomentet.
6. Når maskinen anvendes med lav hastighed, reduceres drejningsmomentet.



# Drejningsmoment og momentniveau

**BEMÆRK:** Denne referenceværdi er målt under de måleforhold, som er specificeret af Makita.

**BEMÆRK:** Den faktiske værdi afviger muligvis afhængigt af forholdene for fastgøringsmidlerne, materialerne og fastgøringsmetoden. Udfør en testdrivning før det egentlige arbejde.



1. Momentniveau 2. Drejningsmoment

## VEDLIGEHOJDELSE

**⚠FORSIGTIG:** Vær altid sikker på, at værktøjet er slukket, og at akkuen er taget ud, inden De begynder at udføre inspektion eller vedligeholdelse.

**BEMÆRKNING:** Anvend aldrig benzin, rensebenzin, fortynder, alkohol og lignende. Det kan medføre misfarvning, deformation eller revner.

For at opretholde produktets SIKKERHED og PÅLIDELIGHED må reparation, vedligeholdelse eller justering kun udføres af et autoriseret Makita servicecenter eller fabrikksservicecenter med anvendelse af Makita reservedele.

## EKSTRAUDSTYR

**⚠FORSIGTIG:** Det følgende tilbehør og ekstraudstyr er anbefalet til brug med Deres Makita maskine, der er beskrevet i denne brugsanvisning. Anvendelse af andet tilbehør eller ekstraudstyr kan udgøre en risiko for personskade. Anvend kun tilbehør og ekstraudstyr til det beskrevne formål.

Hvis De behøver hjælp ved valg af tilbehør eller ønsker yderligere informationer, bedes De kontakte Deres lokale Makita servicecenter.

- Krog
- Beskytter (blå, rød, gul, grøn, klar)
- Akkubeskytter for BL1460A
- Akkubeskytter for BL1415NA
- Original Makita-akku og oplader
- USB-kabel

**BEMÆRK:** Nogle ting på denne liste kan være inkluderet i værktøjspakken som standardtilbehør. Det kan være forskellige fra land til land.

## ΠΡΟΔΙΑΓΡΑΦΕΣ

Μοντέλο:		DTWA070	DTWA100	DTWA140	DTWA190
Ικανότητες στερέωσης	Τυπικό μπουλόνι	M5 - M12		M6 - M16	M8 - M16
	Μπουλόνι υψηλού εφελκυσμού	M5 - M10		M6 - M12	M8 - M14
Μέγιστη ροπή στερέωσης		65 N•m	95 N•m	140 N•m	185 N•m
Εύρος ροπής		Περίπου 5 - 40 N•m	Περίπου 6 - 65 N•m	Περίπου 18 - 80 N•m	Περίπου 25 - 125 N•m
Τετράγωνος οδηγός		9,5 mm		12,7 mm	
Ταχύτητα χωρίς φορτίο (σ.α.λ.)		0 - 2.500 min <sup>-1</sup>	0 - 2.700 min <sup>-1</sup>		0 - 2.600 min <sup>-1</sup>
Κρούσεις ανά λεπτό		0 - 3.700 min <sup>-1</sup>	0 - 3.300 min <sup>-1</sup>		0 - 3.000 min <sup>-1</sup>
Ολικό μήκος		144 mm	151 mm	158 mm	
Ονομαστική τάση		D.C. 14,4 V			
Καθαρό βάρος		1,1 - 1,4 kg	1,2 - 1,4 kg	1,2 - 1,5 kg	1,3 - 1,6 kg
Εφαρμοσμένο καλώδιο USB		661432-2			

- Λόγω του συνεχιζόμενου προγράμματος έρευνας και ανάπτυξης, οι προδιαγραφές αυτές υπόκεινται σε αλλαγές χωρίς προειδοποίηση.
- Τα τεχνικά χαρακτηριστικά μπορεί να διαφέρουν από χώρα σε χώρα.
- Το βάρος μπορεί να διαφέρει ανάλογα με τα προσαρτήματα, συμπεριλαμβανόμενα την κασέτα μπαταριών. Ο ελαφρύτερος και ο βαρύτερος συνδυασμός, σύμφωνα με τη διαδικασία ΕΡΤΑ 01/2014, παρουσιάζονται στον πίνακα.

## Ισχύουσα κασέτα μπαταριών και φορτιστής

Κασέτα μπαταρίας	BL1415N / BL1415NA / BL1430B / BL1440 / BL1460A / BL1460B
Φορτιστής	DC18RC / DC18RD / DC18RE / DC18SD / DC18SE / DC18SF / DC18SH

- Ορισμένες από τις κασέτες και τους φορτιστές μπαταριών που αναγράφονται παραπάνω ίσως να μην είναι διαθέσιμοι, ανάλογα με την τοποθεσία κατοικίας σας.

**⚠ ΠΡΟΕΙΔΟΠΟΙΗΣΗ:** Να χρησιμοποιείτε μόνο τις κασέτες μπαταριών και τους φορτιστές που παρατίθενται ανωτέρω. Η χρήση οποιασδήποτε άλλης κασέτας μπαταριών ή φορτιστή μπορεί να προκαλέσει τραυματισμό ή/και πυρκαγιά.

## Προοριζόμενη χρήση

Το εργαλείο προορίζεται για στερέωμα μπουλονιών και παξιμαδιών.

## Θορύβος

Το τυπικό Α επίπεδο καταμετρημένου θορύβου καθορίζεται σύμφωνα με το EN62841-2-2:

### Μοντέλο DTWA070

Στάθμη ηχητικής πίεσης ( $L_{pA}$ ): 92 dB (A)  
Στάθμη ηχητικής ισχύος ( $L_{WA}$ ): 103 dB (A)  
Αβεβαιότητα (K): 3 dB (A)

### Μοντέλο DTWA100

Στάθμη ηχητικής πίεσης ( $L_{pA}$ ): 93 dB (A)  
Στάθμη ηχητικής ισχύος ( $L_{WA}$ ): 104 dB (A)  
Αβεβαιότητα (K): 3 dB (A)

### Μοντέλο DTWA140

Στάθμη ηχητικής πίεσης ( $L_{pA}$ ): 96 dB (A)  
Στάθμη ηχητικής ισχύος ( $L_{WA}$ ): 107 dB (A)  
Αβεβαιότητα (K): 3 dB (A)

### Μοντέλο DTWA190

Στάθμη ηχητικής πίεσης ( $L_{pA}$ ): 95 dB (A)  
Στάθμη ηχητικής ισχύος ( $L_{WA}$ ): 106 dB (A)  
Αβεβαιότητα (K): 3 dB (A)

**ΠΑΡΑΤΗΡΗΣΗ:** Η δηλωμένη τιμή(ές) εκπομπής θορύβου έχει μετρηθεί σύμφωνα με την πρότυπη μέθοδο δοκιμής και μπορεί να χρησιμοποιηθεί για τη σύγκριση ενός εργαλείου με κάποιο άλλο.

**ΠΑΡΑΤΗΡΗΣΗ:** Η δηλωμένη τιμή(ές) εκπομπής θορύβου μπορεί να χρησιμοποιηθεί και στην προκαταρκτική αξιολόγηση της έκθεσης.

**⚠ ΠΡΟΕΙΔΟΠΟΙΗΣΗ:** Να φοράτε ωτοασπίδες.

**⚠ ΠΡΟΕΙΔΟΠΟΙΗΣΗ:** Η εκπομπή θορύβου κατά τη χρήση του ηλεκτρικού εργαλείου σε πραγματικές συνθήκες μπορεί να διαφέρει από τη δηλωμένη τιμή(ές) ανάλογα με τους τρόπους χρήσης του εργαλείου, ιδιαίτερα το είδος του τεμαχίου εργασίας που υπόκειται επεξεργασία.

**⚠ ΠΡΟΕΙΔΟΠΟΙΗΣΗ:** Φροντίστε να λάβετε τα κατάλληλα μέτρα προστασίας του χειριστή βάσει ενός υπολογισμού της έκθεσης σε πραγματικές συνθήκες χρήσης (λαμβάνοντας υπόψη όλες τις συνιστώσες του κύκλου λειτουργίας όπως τους χρόνους που το εργαλείο είναι εκτός λειτουργίας και όταν βρίσκεται σε αδρανή λειτουργία πέραν του χρόνου ενεργοποίησης).

## Κραδασμός

Η ολική τιμή δόνησης (άθροισμα τρι-αξονικού διανύσματος) καθορίζεται σύμφωνα με το EN62841-2-2:

### Μοντέλο DTWA070

Είδος εργασίας: σφίξιμο κρούσης των συνδέσμων  
Μέγιστης απόδοσης του εργαλείου  
Εκπομπή δόνησης ( $a_{h1}$ ): 9,0 m/s<sup>2</sup>  
Αβεβαιότητα (K): 1,5 m/s<sup>2</sup>

### Μοντέλο DTWA100

Είδος εργασίας: σφίξιμο κρούσης των συνδέσμων  
Μέγιστης απόδοσης του εργαλείου  
Εκπομπή δόνησης ( $a_{h1}$ ): 8,5 m/s<sup>2</sup>  
Αβεβαιότητα (K): 1,5 m/s<sup>2</sup>

### Μοντέλο DTWA140

Είδος εργασίας: σφίξιμο κρούσης των συνδέσμων  
Μέγιστης απόδοσης του εργαλείου  
Εκπομπή δόνησης ( $a_{h1}$ ): 10,0 m/s<sup>2</sup>  
Αβεβαιότητα (K): 1,5 m/s<sup>2</sup>

### Μοντέλο DTWA190

Είδος εργασίας: σφίξιμο κρούσης των συνδέσμων  
Μέγιστης απόδοσης του εργαλείου  
Εκπομπή δόνησης ( $a_{h1}$ ): 10,5 m/s<sup>2</sup>  
Αβεβαιότητα (K): 1,5 m/s<sup>2</sup>

**ΠΑΡΑΤΗΡΗΣΗ:** Η δηλωμένη τιμή(ές) συνολικών κραδασμών έχει μετρηθεί σύμφωνα με την πρότυπη μέθοδο δοκιμής και μπορεί να χρησιμοποιηθεί για τη σύγκριση ενός εργαλείου με κάποιο άλλο.

**ΠΑΡΑΤΗΡΗΣΗ:** Η δηλωμένη τιμή(ές) συνολικών κραδασμών μπορεί να χρησιμοποιηθεί και στην προκαταρκτική αξιολόγηση της έκθεσης.

**ΠΡΟΕΙΔΟΠΟΙΗΣΗ:** Η εκπομπή κραδασμών κατά τη χρήση του ηλεκτρικού εργαλείου σε πραγματικές συνθήκες μπορεί να διαφέρει από τη δηλωμένη τιμή(ές) εκπομπής ανάλογα με τους τρόπους χρήσης του εργαλείου, ιδιαίτερα το είδος του τεμαχίου εργασίας που υπόκειται επεξεργασία.

**ΠΡΟΕΙΔΟΠΟΙΗΣΗ:** Φροντίστε να λάβετε τα κατάλληλα μέτρα προστασίας του χειριστή βάσει ενός υπολογισμού της έκθεσης σε πραγματικές συνθήκες χρήσης (λαμβάνοντας υπόψη όλες τις συνιστώσες του κύκλου λειτουργίας όπως τους χρόνους που το εργαλείο είναι εκτός λειτουργίας και όταν βρίσκεται σε αδρανή λειτουργία πέραν του χρόνου ενεργοποίησης).

## Δήλωση συμμόρφωσης ΕΚ

*Μόνο για χώρες της Ευρώπης*

Η δήλωση συμμόρφωσης ΕΚ περιλαμβάνεται ως Παράρτημα Α στο παρόν εγχειρίδιο οδηγιών.

## ΠΡΟΕΙΔΟΠΟΙΗΣΕΙΣ ΑΣΦΑΛΕΙΑΣ

### Γενικές προειδοποιήσεις ασφαλείας για το ηλεκτρικό εργαλείο

**ΠΡΟΕΙΔΟΠΟΙΗΣΗ:** Διαβάστε όλες τις προειδοποιήσεις ασφαλείας, οδηγίες, εικονογραφίες και προδιαγραφές που παρέχονται με αυτό το ηλεκτρικό εργαλείο. Η μη τήρηση όλων των οδηγιών που αναγράφονται κατωτέρω μπορεί να καταλήξει σε ηλεκτροπληξία, πυρκαγιά ή/και σοβαρό τραυματισμό.

### Φυλάξτε όλες τις προειδοποιήσεις και τις οδηγίες για μελλοντική παραπομπή.

Στις προειδοποιήσεις, ο όρος «ηλεκτρικό εργαλείο» αναφέρεται σε ηλεκτρικό εργαλείο που τροφοδοτείται από την κύρια παροχή ηλεκτρικού ρεύματος (με ηλεκτρικό καλώδιο) ή σε ηλεκτρικό εργαλείο που τροφοδοτείται από μπαταρία (χωρίς ηλεκτρικό καλώδιο).

### Προειδοποιήσεις ασφαλείας για το κρουστικό κλειδί μπαταρίας

1. Να κρατάτε το ηλεκτρικό εργαλείο από τις λαβές με μόνωση όταν εκτελείτε εργασίες κατά τις οποίες ο σύνδεσμος μπορεί να έρθει σε επαφή με κρυμμένα καλώδια. Αν ο σύνδεσμος έρθει σε επαφή με κάποιο ηλεκτροφόρο καλώδιο, μπορεί τα εκτεθειμένα μεταλλικά μέρη του ηλεκτρικού εργαλείου να γίνουν κι αυτά ηλεκτροφόρα και να προκληθεί ηλεκτροπληξία στο χειριστή.
2. Να φοράτε ωτασπίδες.
3. Ελέγχετε την κρουστική υποδοχή προσεκτικά για φθορά, ρωγμές ή ζημιές πριν την εγκατάσταση.
4. Να κρατάτε το εργαλείο σταθερά.
5. Μην πλησιάζετε τα χέρια σας σε περιστρεφόμενα μέρη.
6. Μην αγγίζετε την κρουστική υποδοχή, το μπουλόνι, το παξιμάδι ή το τεμάχιο εργασίας αμέσως μετά τη λειτουργία. Μπορεί να είναι εξαιρετικά καυτά και να προκληθεί έγκαυμα στο δέρμα σας.
7. Να βεβαιώνετε πάντα ότι στέκεστε σταθερά. Όταν χρησιμοποιείτε το εργαλείο σε υψηλές τοποθεσίες, να βεβαιώνετε ότι δεν βρίσκεται κανένας από κάτω.
8. Η κατάλληλη ροπή στερέωσης μπορεί να διαφέρει ανάλογα από το είδος ή το μέγεθος του μπουλονιού. Ελέγξτε τη ροπή με ένα ροτόκλειδο.
9. Βεβαιωθείτε ότι δεν υπάρχουν ηλεκτρικά καλώδια, σωληνώσεις νερού ή αερίου κ.λπ. οι οποίες θα μπορούσαν να προκαλέσουν κίνδυνο αν υποστούν ζημιές από τη χρήση του εργαλείου.

### ΦΥΛΑΞΤΕ ΤΙΣ ΟΔΗΓΙΕΣ ΑΥΤΕΣ.

**▲ ΠΡΟΕΙΔΟΠΟΙΗΣΗ:** ΜΗΝ επιτρέψετε στην άνεση ή στην εξοικειωσή σας με το προϊόν (που αποκτήθηκε από επαναληπμένη χρήση) να αντικαταστήσει την αυστηρή τήρηση των κανόνων ασφαλείας του παρόντος εργαλείου.

Η **ΛΑΝΘΑΣΜΕΝΗ ΧΡΗΣΗ** ή η αμέλεια να ακολουθήσετε τους κανόνες ασφαλείας που διατυπώνονται στο παρόν εγχειρίδιο οδηγιών μπορεί να προκαλέσει σοβαρό προσωπικό τραυματισμό.

## Σημαντικές οδηγίες ασφαλείας για κασέτα μπαταριών

1. Πριν χρησιμοποιήσετε την κασέτα μπαταριών, διαβάστε όλες τις οδηγίες και σημειώσεις προφύλαξης (1) στον φορτιστή μπαταριών, (2) στην μπαταρία και (3) στο προϊόν που χρησιμοποιεί την μπαταρία.
2. Μην αποσυναρμολογήσετε ή παραβιάσετε την κασέτα μπαταριών. Μπορεί να έχει ως αποτέλεσμα πυρκαγιά, υπερθέρμανση ή έκρηξη.
3. Εάν ο χρόνος λειτουργίας έχει γίνει υπερβολικά βραχύς, σταματήστε τη λειτουργία αμέσως. Αλλιώς, μπορεί να έχει ως αποτέλεσμα κίνδυνο υπερθέρμανσης, πιθανά εγκαύματα ή ακόμη και έκρηξη.
4. Εάν ηλεκτρολύτης μπει στα μάτια σας, ξεπλύνετε τα με καθαρό νερό και ζητήστε ιατρική φροντίδα αμέσως. Αλλιώς, μπορεί να έχει ως αποτέλεσμα απώλεια της όρασης σας.
5. Μην βραχυκυκλώνετε την κασέτα μπαταριών:
  - (1) Μην αγγίζετε τους πόλους με οτιδήποτε αγώγιμο υλικό.
  - (2) Αποφεύγετε να αποθηκεύετε την κασέτα μπαταριών μέσα σε ένα δοχείο μαζί με άλλα μεταλλικά αντικείμενα όπως καρφιά, νομίσματα, κλπ.
  - (3) Μην εκθέτετε την κασέτα μπαταριών στο νερό ή στη βροχή.

Ένα βραχυκύκλωμα μπαταρίας μπορεί να προκαλέσει μεγάλη ροή ρεύματος, υπερθέρμανση, πιθανά εγκαύματα ακόμη και σοβαρή βλάβη.

6. Μην αποθηκεύετε και μην χρησιμοποιείτε το εργαλείο και την κασέτα μπαταριών σε τοποθεσίες όπου η θερμοκρασία μπορεί να φτάσει ή να ξεπεράσει τους 50°C.
7. Μην καίτε την κασέτα μπαταριών ακόμη και εάν έχει σοβαρή ζημιά ή είναι εντελώς φθαρμένη. Η κασέτα μπαταριών μπορεί να εκραγεί στη φωτιά.
8. Μην καρφώσετε, κόψετε, συνθλίψετε, πετάξετε ή ρίξετε κάτω την κασέτα μπαταριών, ούτε να χτυπήσετε ένα σκληρό αντικείμενο επάνω στην κασέτα μπαταριών. Τέτοια συμπεριφορά μπορεί να έχει ως αποτέλεσμα πυρκαγιά, υπερθέρμανση ή έκρηξη.
9. Μην χρησιμοποιείτε μπαταρία που έχει υποστεί ζημία.
10. Οι μπαταρίες ιόντων λιθίου που περιέχονται υπόκεινται στις απαιτήσεις της νομοθεσίας για επικίνδυνα αγαθά. Για εμπορικές μεταφορές, για παράδειγμα από τρίτα μέρη, πρέπει να τηρούνται οι διαμεταφορές, οι ειδικές απαιτήσεις στη συσκευασία και η επισήμανση. Για προτιμολογία του στοιχείου που αποστέλλεται, είναι απαραίτητο να συμβουλευτείτε έναν ειδικό για επικίνδυνα υλικά. Επίσης, τηρήστε τους πιθανούς, πιο αναλυτικούς εθνικούς κανονισμούς. Καλύψτε με αυτοκόλλητη ταινία ή κρύψτε τις ανοικτές επαφές και συσκευάστε την μπαταρία με τρόπο που να μην μπορεί να μετακινείται μέσα στη συσκευασία.

11. Όταν απορρίπτετε την κασέτα μπαταριών, αφαιρέστε την από το εργαλείο και διαθέστε την σε ένα ασφαλές μέρος. Τηρήστε τους τοπικούς κανονισμούς που σχετίζονται με τη διάθεση της μπαταρίας.
12. Χρησιμοποιήστε τις μπαταρίες μόνο με τα προϊόντα που καθορίζει η Makita. Αν τοποθετήσετε τις μπαταρίες σε μη συμβατά προϊόντα μπορεί να έχει ως αποτέλεσμα πυρκαγιά, υπερβολική θερμότητα, έκρηξη ή διαρροή ηλεκτρολύτη.
13. Αν δεν χρησιμοποιείτε το εργαλείο για μεγάλο χρονικό διάστημα, πρέπει να βγάλετε την μπαταρία από το εργαλείο.
14. Κατά τη διάρκεια και μετά τη χρήση, η κασέτα μπαταριών μπορεί να θερμανθεί, γεγονός που μπορεί να προκαλέσει εγκαύματα ή εγκαύματα από χαμηλή θερμοκρασία. Προσέχετε το χειρισμό των ζεστών κασετών μπαταριών.
15. Μην αγγίζετε τον ακροδέκτη του εργαλείου αμέσως μετά τη χρήση επειδή μπορεί να έχει ζεσταθεί αρκετά για να προκαλέσει εγκαύματα.
16. Μην αφήνετε θραύσματα, σκόνη ή βρομιά να κολλήσει στους ακροδέκτες, τις σπές και τις εγκοπές της κασέτας μπαταριών. Μπορεί να έχει ως αποτέλεσμα κακή απόδοση ή σπάσιμο του εργαλείου ή της κασέτας μπαταριών.
17. Εκτός αν το εργαλείο υποστηρίζει τη χρήση κοντά σε ηλεκτρικές γραμμές υψηλής τάσης, μην χρησιμοποιείτε την κασέτα μπαταριών κοντά σε ηλεκτρικές γραμμές υψηλής τάσης. Μπορεί να έχει ως αποτέλεσμα δυσλειτουργία ή σπάσιμο του εργαλείου ή της κασέτας μπαταριών.
18. Κρφυλάξτε την μπαταρία μακριά από παιδιά.

## ΦΥΛΑΞΤΕ ΤΙΣ ΟΔΗΓΙΕΣ ΑΥΤΕΣ.

**▲ ΠΡΟΣΟΧΗ:** Να χρησιμοποιείτε μόνο γνήσιες μπαταρίες της Makita. Η χρήση μη γνήσιων μπαταριών Makita, ή μπαταριών που έχουν τροποποιηθεί, μπορεί να έχει ως αποτέλεσμα τη ρήξη της μπαταρίας, προκαλώντας πυρκαγιά, προσωπικό τραυματισμό και βλάβη. Επίσης, θα ακυρωθεί η εγγύηση της Makita για το εργαλείο και φορτιστή Makita.

## Συμβουλές για τη διατήρηση της μέγιστης ζωής μπαταρίας

1. Φορτίζετε την κασέτα μπαταριών πριν από την πλήρη αποφόρτισή της. Πάντοτε να σταματάτε τη λειτουργία του εργαλείου και να φορτίζετε την κασέτα μπαταριών όταν παρατηρείτε μειωμένη ισχύ εργαλείου.
2. Ποτέ μην επαναφορτίζετε μια πλήρως φορτισμένη κασέτα μπαταριών. Η υπερφόρτιση μειώνει την ωφέλιμη ζωή της μπαταρίας.
3. Να φορτίζετε την κασέτα μπαταριών σε θερμοκρασία δωματίου, δηλαδή στους 10 °C έως 40 °C. Αφήστε μια θερμή κασέτα μπαταριών να κρυώσει πριν την φορτίσετε.
4. Όταν δεν χρησιμοποιείτε την κασέτα μπαταριών, αφαιρέστε την από το εργαλείο ή τον φορτιστή.
5. Να φορτίζετε την κασέτα μπαταριών εάν δεν τη χρησιμοποιείτε για μεγάλη χρονική περίοδο (περισσότερο από έξι μήνες).

## ΠΕΡΙΓΡΑΦΗ ΛΕΙΤΟΥΡΓΙΑΣ

**▲ ΠΡΟΣΟΧΗ:** Να φροντίζετε πάντα για την απενεργοποίηση του εργαλείου και την αφαίρεση της κασέτας μπαταρίας, πριν από οποιαδήποτε ρύθμιση ή έλεγχο της λειτουργίας του.

### Τοποθέτηση ή αφαίρεση της κασέτας μπαταριών

**▲ ΠΡΟΣΟΧΗ:** Να σβήνετε πάντα το εργαλείο πριν τοποθετήσετε ή αφαιρέσετε την κασέτα μπαταριών.

**▲ ΠΡΟΣΟΧΗ:** Κρατήστε το εργαλείο και την κασέτα μπαταριών σταθερά κατά την τοποθέτηση ή αφαίρεση της κασέτας μπαταριών. Εάν δεν κρατάτε το εργαλείο και την κασέτα μπαταριών σταθερά μπορεί να γλιστρήσουν από τα χέρια σας και να προκληθεί βλάβη στο εργαλείο και την κασέτα μπαταριών και προσωπικός τραυματισμός.

► **Εικ.1:** 1. Κόκκινος δείκτης 2. Κουμπί 3. Κασέτα μπαταριών

Για να αφαιρέσετε την κασέτα μπαταριών, ολισθήστε την από το εργαλείο ενώ σύρετε το κουμπί στο μπροστινό μέρος της κασέτας.

Για να τοποθετήσετε την κασέτα μπαταριών, ευθυγραμμίστε τη γλώσσα στην κασέτα μπαταριών με την εγκοπή στο περίβλημα και ολισθήστε τη στη θέση της. Τοποθετήστε την μέχρι τέρμα μέχρι να ασφαλίσει στη θέση της, γεγονός που υποδεικνύεται με ένα χαρακτηριστικό ήχο. Αν μπορείτε να δείτε τον κόκκινο δείκτη όπως απεικονίζεται στην εικόνα, δεν έχει κλειδώσει τελείως.

**▲ ΠΡΟΣΟΧΗ:** Να τοποθετείτε πάντα την κασέτα μπαταριών πλήρως μέχρι να μη βλέπετε τον κόκκινο δείκτη. Εάν δεν ασφαλιστεί, μπορεί να πέσει από το εργαλείο τυχαία, προκαλώντας σωματική βλάβη σε εσάς ή κάποιον άλλο γύρω σας.

**▲ ΠΡΟΣΟΧΗ:** Μην τοποθετείτε την κασέτα μπαταριών με βία. Εάν η κασέτα δεν ολισθαίνει με ευκολία, τότε δεν έχει τοποθετηθεί κατάλληλα.

### Σύστημα προστασίας εργαλείου/μπαταρίας

Το εργαλείο είναι εξοπλισμένο με σύστημα προστασίας εργαλείου/μπαταρίας. Αυτό το σύστημα αποκτάει αυτόματα την ισχύ προς το μοτέρ για να παραταθεί η διάρκεια λειτουργίας του εργαλείου και της μπαταρίας. Το εργαλείο σταματάει αυτόματα κατά τη διάρκεια της λειτουργίας εάν το εργαλείο ή η μπαταρία βρεθούν κάτω από τις παρακάτω συνθήκες:

### Προστασία υπερφόρτωσης

Όταν η μπαταρία λειτουργεί με τρόπο ώστε να αναγκάζεται να καταλώνει ασυνήθιστα υψηλό ρεύμα, το εργαλείο σταματάει αυτόματα χωρίς καμία ένδειξη. Σε αυτή την κατάσταση, σβήστε το εργαλείο και διακόψτε την εφαρμογή που προκαλεί την υπερφόρτωση του εργαλείου. Μετά, ενεργοποιήστε το εργαλείο για επανεκκίνηση.

### Προστασία υπερθέρμανσης

Όταν το εργαλείο/μπαταρία υπερθερμαίνεται, το εργαλείο σταματάει αυτόματα. Σε αυτή την κατάσταση, αφήστε τη θερμοκρασία του εργαλείου/μπαταρίας να μειωθεί πριν ενεργοποιήσετε ξανά το εργαλείο.

## Προστασία υπερβολικής αποφόρτισης

Όταν η φόρτιση μπαταρίας δεν είναι αρκετή, το εργαλείο σταματάει αυτόματα. Σε αυτή την περίπτωση, βγάλτε την μπαταρία από το εργαλείο και φορτίστε την μπαταρία.

### Έλεγχος της υπόλοιπης χωρητικότητας μπαταρίας (BL1460A)

► **Εικ.2:** 1. Ενδεικτικές λυχνίες 2. Κουμπί ελέγχου

**ΠΑΡΑΤΗΡΗΣΗ:** Ανάλογα με τις συνθήκες χρήσης και τη θερμοκρασία περιβάλλοντος, η ένδειξη μπορεί να διαφέρει λίγο από την πραγματική χωρητικότητα.

### Κατά τη φόρτιση

Όταν αρχίζει η φόρτιση, αρχίζει να αναβοσβήνει η πρώτη (τέρμα αριστερά) ενδεικτική λυχνία. Κατόπιν, καθώς προχωράει η φόρτιση, ανάβουν οι άλλες λυχνίες, η μία μετά την άλλη, για να υποδείξουν τη χωρητικότητα της μπαταρίας.

**ΠΑΡΑΤΗΡΗΣΗ:** Αν η ενδεικτική λυχνία δεν ανάψει ή αναβοσβήνει κατά τη φόρτιση, η μπαταρία μπορεί να είναι ελαττωματική. Σε αυτή την περίπτωση, απευθυνθείτε στο τοπικό σας κέντρο εξυπηρέτησης.

### Κατά τη χρήση

Όταν ανάψετε το εργαλείο, θα ανάψουν οι λυχνίες για να υποδείξουν την υπόλοιπη χωρητικότητα μπαταρίας. Όταν σβήσετε το εργαλείο, σβήνει το φως μετά από περίπου 5 δευτερόλεπτα.

Όταν πατάτε το κουμπί ελέγχου με το εργαλείο απενεργοποιημένο, οι ενδεικτικές λυχνίες ανάβουν για περίπου 5 δευτερόλεπτα για να εμφανίσουν τη χωρητικότητα της μπαταρίας.

Αν η πορτοκαλί λυχνία αναβοσβήνει, το εργαλείο σταματάει επειδή η υπόλοιπη χωρητικότητα μπαταρίας είναι χαμηλή (μηχανισμός αυτόματου σταματήματος). Φορτίστε την κασέτα μπαταρίας ή χρησιμοποιήστε μια φορτισμένη κασέτα μπαταρίας τώρα.

Όταν το εργαλείο χρησιμοποιείται με μπαταρία που δεν έχει χρησιμοποιηθεί για πολύ καιρό και το ενεργοποιήσετε, μπορεί να μην ανάψει καθόλου καμία λυχνία. Το εργαλείο σταματάει επειδή, τη συγκεκριμένη στιγμή, η υπόλοιπη χωρητικότητα της μπαταρίας είναι χαμηλή. Φορτίστε την μπαταρία σωστά.

### Δράση διακόπτη

► **Εικ.3:** 1. Σκανδάλη διακόπτης

**▲ ΠΡΟΣΟΧΗ:** Πριν βάλετε την κασέτα μπαταρίας μέσα στο εργαλείο, να ελέγχετε πάντα να δείτε αν η σκανδάλη διακόπτης ενεργοποιείται κανονικά και επιστρέφει στη θέση «OFF» όταν ελευθερώνεται.

Για να ξεκινήσετε το εργαλείο, απλώς τραβήξτε την σκανδάλη διακόπτη. Η ταχύτητα του εργαλείου αυξάνει αν αυξήσετε την πίεση στη σκανδάλη διακόπτη. Ελευθερώστε τη σκανδάλη διακόπτη για να σταματήσετε.

**ΠΑΡΑΤΗΡΗΣΗ:** Το εργαλείο σταματά αυτόματα αν συνεχίσετε να τραβέτε τη σκανδάλη διακόπτη για περίπου 3 λεπτά.

## Αναμμα της μπροστινής λάμπας

► **Εικ.4:** 1. Λάμπα

**ΠΡΟΣΟΧΗ:** Μην κοιτάζετε κατευθείαν μέσα στο φως ή στην πηγή φωτός.

Τραβήξτε τη σκανδάλη διακόπτη για να ενεργοποιήσετε τη λάμπα. Η λάμπα εξακολουθεί να είναι αναμμένη όσο τραβάτε τη σκανδάλη διακόπτη. Η λάμπα σβήνει περίπου 10 δευτερόλεπτα αφού αφήσετε τη σκανδάλη διακόπτη.

**ΠΑΡΑΤΗΡΗΣΗ:** Χρησιμοποιήστε ένα στεγνό πανί για να σκουπίσετε τη σκόνη από το φακό της λάμπας. Προσέχετε να μη γρατζουνίσετε το φακό της λάμπας, επειδή μπορεί να μειωθεί η ένταση του φωτισμού.

## Δράση διακόπτη αντιστροφής

► **Εικ.5:** 1. Μοχλός διακόπτη αντιστροφής

**ΠΡΟΣΟΧΗ:** Να ελέγχετε πάντα τη διεύθυνση περιστροφής πριν από τη λειτουργία.

**ΠΡΟΣΟΧΗ:** Να χρησιμοποιείτε τον διακόπτη αντιστροφής μόνο αφού το εργαλείο σταματήσει εντελώς. Η αλλαγή της διεύθυνσης περιστροφής πριν σταματήσει το εργαλείο μπορεί να προκαλέσει ζημιά στο εργαλείο.

**ΠΡΟΣΟΧΗ:** Όταν δεν χρησιμοποιείτε το εργαλείο, να βάζετε πάντα το μοχλό διακόπτη αντιστροφής στην ουδέτερη θέση.

Αυτό το εργαλείο διαθέτει έναν διακόπτη αντιστροφής για να αλλάξετε τη διεύθυνση περιστροφής. Πιέστε το μοχλό διακόπτη αντιστροφής από την πλευρά Α για δεξιόστροφη περιστροφή ή από την πλευρά Β για αριστερόστροφη περιστροφή. Όταν ο μοχλός διακόπτη αντιστροφής είναι στην ουδέτερη θέση, η σκανδάλη διακόπτη δεν μπορεί να τραβηχθεί.

## Αλλαγή της ρύθμισης παραμέτρου στο εργαλείο (τρόπος λειτουργίας επιτόπου ρύθμισης)

**ΕΙΔΟΠΟΙΗΣΗ:** Η λειτουργία αυτή διατίθεται ως προεπιλογή. Αν έχετε απενεργοποιήσει τον τρόπο λειτουργίας επιτόπου ρύθμισης στον υπολογιστή, ενεργοποιήστε αυτή τη ρύθμιση προκαταβολικά. Ανατρέξτε στο εγχειρίδιο οδηγιών του «Makita Industry Tool Settings» για τον τρόπο διαμόρφωσης.

**ΕΙΔΟΠΟΙΗΣΗ:** Αν ο τρόπος λειτουργίας επιτόπου ρύθμισης είναι απενεργοποιημένος, η πραγματοποίηση ρυθμίσεων στο εργαλείο δεν είναι διαθέσιμη. Όταν πατάτε το κουμπί ρύθμισης, οι τιμές που ρυθμίζονται στο εργαλείο εμφανίζονται με τη σειρά.

Ο τρέχων αριθμός ρύθμισης εμφανίζεται στην ένδειξη.

Κάθε φορά που πατάτε το κουμπί ρύθμισης, η ένδειξη δείχνει το επίπεδο ροπής, το επίπεδο οδηγησης, το εύρος εργάσιμου χρόνου και «Ad».

► **Εικ.7:** 1. Κουμπί ρύθμισης 2. Ένδειξη

Μπορείτε να αλλάξετε τις ακόλουθες ρυθμίσεις παραμέτρων στο εργαλείο σας:

- Ρύθμιση αυτόματης διακοπής / Ελεύθερος τρόπος λειτουργίας

Στοιχείο ρύθμισης	Εμφάνιση της ένδειξης	Περιγραφή
Επίπεδο ροπής	01 - 40 FF OP	Το επίπεδο ροπής στο οποίο εφαρμόζεται ο τρόπος λειτουργίας αυτόματης διακοπής σφιζίματος
Επίπεδο οδηγησης	L1 - L7 OP	Η ευαισθησία της έδρασης συνδετήρα
Εύρος εργάσιμου χρόνου	Lo: 0.1 - 9.9 Hi: 0.1 - 9.9 -,-	Η συντομότερη/μακρύτερη διάρκεια περιστροφής όταν συνεχίζετε να τραβάτε τη σκανδάλη διακόπτη.

## Αλλαγή της ρύθμισης παραμέτρων στον υπολογιστή

Μπορείτε να διαμορφώσετε τις λεπτομερείς ρυθμίσεις του εργαλείου με το λογισμικό εφαρμογής «Makita Industry Tool Settings». Εγκαταστήστε το λογισμικό εφαρμογής στον υπολογιστή σας και συνδέστε το εργαλείο με τον υπολογιστή μέσω καλωδίου USB.

Ανατρέξτε στο εγχειρίδιο οδηγιών του «Makita Industry Tool Settings» για λεπτομερείς σχετικά με τη διαμόρφωση.

► **Εικ.6:** 1. Θύρα USB 2. Κάλυμμα USB 3. Καλώδιο USB

**ΕΙΔΟΠΟΙΗΣΗ:** Βεβαιωθείτε ότι το κάλυμμα USB έκλεισε κατά τη στερέωση.

**ΠΑΡΑΤΗΡΗΣΗ:** Όταν ο μοχλός διακόπτη αντιστροφής πατηθεί με δεξιόστροφη περιστροφή, η ένδειξη δείχνει τη ρύθμιση της δεξιόστροφης περιστροφής.

Όταν ο μοχλός διακόπτη αντιστροφής πατηθεί με αριστερόστροφη περιστροφή, η ένδειξη δείχνει τη ρύθμιση της αριστερόστροφης περιστροφής.

**ΠΑΡΑΤΗΡΗΣΗ:** Χρησιμοποιήστε τον αριθμό προρύθμισης ως κατευθυντήρια οδηγία. Για τη διατήρηση της ροπής στερέωσης, ο αριθμός των κρούσεων αλλάζει αυτόματα σύμφωνα με την υπόλοιπη χωρητικότητα μπαταρίας.

**ΠΑΡΑΤΗΡΗΣΗ:** Χρησιμοποιήστε το γνήσιο καλώδιο USB της Makita για να συνδέσετε τον υπολογιστή σας με το εργαλείο. Ανατρέξτε στην ενότητα «ΠΡΟΔΙΑΓΡΑΦΕΣ».

**ΠΑΡΑΤΗΡΗΣΗ:** Για το λογισμικό εφαρμογής, επικοινωνήστε με τον αντιπρόσωπο πωλήσεων της Makita.

**ΕΙΔΟΠΟΙΗΣΗ:** Αν εμφανίζεται «OP» (τρόπος λειτουργίας αυτόματης διακοπής χαλαρώματος) στην ένδειξη, η ρύθμιση επιπέδου ροπής και η ρύθμιση επιπέδου οδήγησης δεν είναι διαθέσιμες. Σε αυτή την περίπτωση, αλλάξτε τον τρόπο λειτουργίας σε τρόπο λειτουργίας αυτόματης διακοπής σφίξιματος και, στη συνέχεια, ρυθμίστε το επίπεδο ροπής και το επίπεδο οδήγησης στον υπολογιστή χρησιμοποώντας το «Makita Industry Tool Settings».

## Αλλαγή του επιπέδου ροπής

Όταν αλλάζετε το επίπεδο ροπής από 23 σε 34

► **Εικ.8**

1. Πατήστε το κουμπί ρύθμισης αρκετές φορές μέχρι η ένδειξη να δείχνει έναν 2ψήφιο αριθμό που αντιπροσωπεύει την τρέχουσα ρύθμιση του επιπέδου ροπής.
2. Πατήστε παρατεταμένα το κουμπί ρύθμισης μέχρι ο αριθμός στη θέση των δεκάδων να αρχίσει να αναβοσβήνει.
3. Πατήστε σύντομα το κουμπί ρύθμισης για να ρυθμίσετε τον αριθμό στη θέση δεκάδων. Κάθε φορά που πατάτε το κουμπί ρύθμισης, η ένδειξη δείχνει έναν αριθμό από «0» έως «4» και «F» κυκλικά.
4. Πατήστε παρατεταμένα το κουμπί ρύθμισης μέχρι ο αριθμός στη θέση των μονάδων να αρχίσει να αναβοσβήνει.
5. Πατήστε σύντομα το κουμπί ρύθμισης για να ρυθμίσετε τον αριθμό στη θέση μονάδων. Κάθε φορά που πατάτε το κουμπί ρύθμισης, η ένδειξη δείχνει έναν αριθμό από «0» έως «9» και «F» κυκλικά.
6. Πατήστε παρατεταμένα το κουμπί ρύθμισης για λίγα δευτερόλεπτα.

**ΠΑΡΑΤΗΡΗΣΗ:** Αν δεν είστε σίγουροι για το επίπεδο ροπής που είναι κατάλληλο για την εργασία σας, ρυθμίστε «FF» ώστε το εργαλείο να λειτουργεί σε ελεύθερο τρόπο λειτουργίας.

**ΠΑΡΑΤΗΡΗΣΗ:** Αν εισαγάγετε «00», εμφανίζεται «FF» αντί για «00».

## Αλλαγή του επιπέδου οδήγησης

Όταν αλλάζετε το επίπεδο οδήγησης από L1 σε L2

► **Εικ.9**

1. Πατήστε το κουμπί ρύθμισης αρκετές φορές μέχρι η ένδειξη να εμφανίζει 2 χαρακτήρες που αρχίζουν με «L» ακολουθούμενο από έναν αριθμό. Αυτό αντιπροσωπεύει την τρέχουσα ρύθμιση του επιπέδου οδήγησης.
2. Πατήστε παρατεταμένα το κουμπί ρύθμισης μέχρι η ένδειξη να αρχίσει να αναβοσβήνει.
3. Ρυθμίστε το επίπεδο οδήγησης. Κάθε φορά που πατάτε το κουμπί ρύθμισης, η ένδειξη δείχνει από «L1» σε «L7» κυκλικά. Το χαμηλότερο επίπεδο οδήγησης είναι «L1», ενώ το «L7» είναι το υψηλότερο.
4. Πατήστε παρατεταμένα το κουμπί ρύθμισης για λίγα δευτερόλεπτα.

## Αλλαγή του συντομότερου εύρους εργασιμου χρόνου

Όταν αλλάζετε το συντομότερο εύρος εργασιμου χρόνου από 2.5 σε 3.6

► **Εικ.10**

1. Πατήστε το κουμπί ρύθμισης αρκετές φορές μέχρι να εμφανιστεί «Lo» και ο αριθμός εναλλάξ. Αυτό αντιπροσωπεύει την τρέχουσα ρύθμιση του συντομότερου εύρους εργασιμου χρόνου.

2. Πατήστε παρατεταμένα το κουμπί ρύθμισης μέχρι ο αριθμός στη θέση των μονάδων να αρχίσει να αναβοσβήνει.
3. Πατήστε σύντομα το κουμπί ρύθμισης για να ρυθμίσετε τον αριθμό στη θέση μονάδων. Κάθε φορά που πατάτε το κουμπί ρύθμισης, η ένδειξη δείχνει έναν αριθμό από «0» έως «9» κυκλικά.
4. Πατήστε παρατεταμένα το κουμπί ρύθμισης μέχρι ο αριθμός στη θέση των δεκαδικών να αρχίσει να αναβοσβήνει.
5. Πατήστε σύντομα το κουμπί ρύθμισης για να ρυθμίσετε τον αριθμό στη θέση δεκαδικών. Κάθε φορά που πατάτε το κουμπί ρύθμισης, η ένδειξη δείχνει έναν αριθμό από «0» έως «9» κυκλικά.
6. Πατήστε παρατεταμένα το κουμπί ρύθμισης για λίγα δευτερόλεπτα.

**ΠΑΡΑΤΗΡΗΣΗ:** Όταν ρυθμίζετε την τιμή χαμηλότερα από «0.1» για το συντομότερο εύρος εργασιμου χρόνου, η ένδειξη εμφανίζει «-.-» και το συντομότερο εύρος εργασιμου χρόνου απενεργοποιείται. Για εισαγωγή «-.-», ρυθμίστε την τιμή σε «0.9» και, στη συνέχεια, πατήστε το κουμπί ρύθμισης όταν ο αριθμός στη θέση των μονάδων αρχίσει να αναβοσβήνει.

## Αλλαγή του μακρύτερου εύρους εργασιμου χρόνου

Όταν αλλάζετε το μακρύτερο εύρος εργασιμου χρόνου από 2.5 σε 3.6

► **Εικ.11**

1. Πατήστε το κουμπί ρύθμισης αρκετές φορές μέχρι να εμφανιστεί «Hi» και ο αριθμός εναλλάξ. Αυτό αντιπροσωπεύει την τρέχουσα ρύθμιση του μακρύτερου εύρους εργασιμου χρόνου.
2. Πατήστε παρατεταμένα το κουμπί ρύθμισης μέχρι ο αριθμός στη θέση των μονάδων να αρχίσει να αναβοσβήνει.
3. Πατήστε σύντομα το κουμπί ρύθμισης για να ρυθμίσετε τον αριθμό στη θέση μονάδων. Κάθε φορά που πατάτε το κουμπί ρύθμισης, η ένδειξη δείχνει έναν αριθμό από «0» έως «9» κυκλικά.
4. Πατήστε παρατεταμένα το κουμπί ρύθμισης μέχρι ο αριθμός στη θέση των δεκαδικών να αρχίσει να αναβοσβήνει.
5. Πατήστε σύντομα το κουμπί ρύθμισης για να ρυθμίσετε τον αριθμό στη θέση δεκαδικών. Κάθε φορά που πατάτε το κουμπί ρύθμισης, η ένδειξη δείχνει έναν αριθμό από «0» έως «9» κυκλικά.
6. Πατήστε παρατεταμένα το κουμπί ρύθμισης για λίγα δευτερόλεπτα.

**ΠΑΡΑΤΗΡΗΣΗ:** Όταν ρυθμίζετε την τιμή υψηλότερα από «9.9» για το μακρύτερο εύρος εργασιμου χρόνου, η ένδειξη εμφανίζει «-.-» και το μακρύτερο εύρος εργασιμου χρόνου απενεργοποιείται. Για εισαγωγή «-.-», ρυθμίστε την τιμή σε «9.9» και, στη συνέχεια, πατήστε το κουμπί ρύθμισης όταν ο αριθμός στη θέση των μονάδων αρχίσει να αναβοσβήνει.



## Μέτρηση μιας πραγματικής λειτουργίας (Αυτόματη διάγνωση)

**ΕΙΔΟΠΟΙΗΣΗ:** Η λειτουργία αυτή διατίθεται ως προεπιλογή. Αν έχετε απενεργοποιήσει τον τρόπο λειτουργίας επιπέδου ρύθμισης στον υπολογιστή, ενεργοποιήστε αυτή τη ρύθμιση προκαταβολικά. Ανατρέξτε στο εγχειρίδιο οδηγιών του «Makita Industry Tool Settings» για τον τρόπο διαμόρφωσης.

Μπορείτε να μετρήσετε το επίπεδο ροπής και το χρόνο λειτουργίας μιας πραγματικής λειτουργίας αν θέσετε το εργαλείο σε λειτουργία. Το μετρούμενο επίπεδο ροπής και ο χρόνος μπορούν να χρησιμοποιηθούν για:

- Αναπαραγωγή μιας τεχνικής ελέγχου ροπής ενός έμπειρου εργάτη, και
- Αναφορά χρόνου για τη ρύθμιση του συντομότερου/μακρύτερου εύρους εργάσιμου χρόνου.

### Μέτρηση του επιπέδου ροπής και του χρόνου λειτουργίας

1. Πατήστε το κουμπί ρύθμισης αρκετές φορές μέχρι να εμφανιστεί «Ad.» στην ένδειξη.
2. Πατήστε παρατεταμένα το κουμπί ρύθμισης μέχρι η ένδειξη να δείχνει «Ch».
3. Εκτελέστε τη λειτουργία για την οποία θέλετε να μετρήσετε το χρόνο λειτουργίας.
  - Αν έχετε διαμορφώσει το επίπεδο ροπής, θέστε το εργαλείο σε λειτουργία μέχρι να σταματήσει στον τρόπο λειτουργίας αυτόματης διακοπής σφιζίματος.
  - Αν δεν έχετε διαμορφώσει το επίπεδο ροπής (ελεύθερος τρόπος λειτουργίας), θέστε το εργαλείο σε λειτουργία όπως απαιτείται.
4. Ελέγξτε το μετρούμενο αποτέλεσμα. Πατήστε το κουμπί ρύθμισης μία φορά για να εμφανίσετε το πραγματικό επίπεδο ροπής και πατήστε το μία ακόμη φορά για να εμφανίσετε τον πραγματικό χρόνο λειτουργίας. Κάθε φορά που πατάτε το κουμπί ρύθμισης, η ένδειξη δείχνει «Ch», τον αριθμό του πραγματικού επιπέδου ροπής και τον αριθμό του πραγματικού χρόνου λειτουργίας κυκλικά.
5. Πατήστε παρατεταμένα το κουμπί ρύθμισης για έξοδο από την αυτόματη διάγνωση.

**ΠΑΡΑΤΗΡΗΣΗ:** Ο τρόπος λειτουργίας αυτόματης διακοπής σφιζίματος λειτουργεί ακόμα και στην αυτόματη διάγνωση. Αν θέλετε να μετρήσετε το επίπεδο ροπής χωρίς περιορισμό, ρυθμίστε το επίπεδο ροπής «FF» (Ελεύθερος τρόπος λειτουργίας) και εκτελέστε τις παραπάνω διαδικασίες.

**ΠΑΡΑΤΗΡΗΣΗ:** Αν εμφανίζεται «-» στην ένδειξη, η κρούση δεν λειτούργησε ή το επίπεδο ροπής είναι υψηλότερο από 40. Αν εμφανίζεται «-.-» στην ένδειξη, ο χρόνος λειτουργίας ξεπέρασε τα 9,9 δευτερόλεπτα.

- Στην περίπτωση που δεν λειτούργησε η κρούση: Μετρήστε ξανά το επίπεδο ροπής με μακρύτερο εργάσιμο χρόνο.
- Στην περίπτωση που το επίπεδο ροπής είναι υψηλότερο από 40: Το εργαλείο δεν μπορεί να μετρήσει το επίπεδο ροπής. Χρησιμοποιήστε το εργαλείο με υψηλότερο εύρος ροπής, αν διατίθεται.
- Στην περίπτωση που ο χρόνος λειτουργίας ξεπέρασε τα 9,9 δευτερόλεπτα, το εύρος εργάσιμου χρόνου δεν είναι διαθέσιμο.

Παράδειγμα μέτρησης:

Αν διαμορφώσετε την ακόλουθη ρύθμιση, μπορείτε να διαβάσετε την κατάσταση εργαλείου.

Περίπτωση 1

Στοιχείο ρύθμισης	Ρύθμιση εργαλείου	Μετρούμενο αποτέλεσμα	Διάγνωση
Επίπεδο ροπής	23	20	Το εργαλείο έχει σταματήσει λόγω της ρύθμισης του εύρους μακρύτερου εργάσιμου χρόνου (3,5 δευτ.) πριν φτάσει τη ρύθμιση του τρόπου λειτουργίας αυτόματης διακοπής σφιζίματος (επίπεδο ροπής 23).
Εύρος εργάσιμου χρόνου	συντομότερο: 2,5 δευτ. μακρύτερο: 3,5 δευτ.	3,5	

Περίπτωση 2

Στοιχείο ρύθμισης	Ρύθμιση εργαλείου	Μετρούμενο αποτέλεσμα	Διάγνωση
Επίπεδο ροπής	23	23	Το εργαλείο σταμάτησε λόγω του τρόπου λειτουργίας αυτόματης διακοπής σφιζίματος (επίπεδο ροπής 23) πριν φτάσει τη ρύθμιση του εύρους μακρύτερου εργάσιμου χρόνου (3,5 δευτ.).
Εύρος εργάσιμου χρόνου	συντομότερο: 2,5 δευτ. μακρύτερο: 3,5 δευτ.	3	

## Ένδειξη LED / βομβητής

### ► Εικ.12: 1. Ένδειξη LED

Η ένδειξη LED / βομβητής στο εργαλείο δείχνει τις ακόλουθες λειτουργίες.

Αρ. συναγερμού	Λειτουργία	Κατάσταση του εργαλείου	Κατάσταση της ένδειξης LED / βομβητή		Απαιτούμενη ενέργεια
			Ένδειξη LED	Βομβητής	
E0	Σφάλμα τοποθέτησης μπαταρίας	Αν η κασέτα μπαταριών τοποθετηθεί με τη σκανδάλη διακοπτή τραβηγμένη, το εργαλείο σταματάει για να αποφευχθεί η αθέλητη εκκίνηση.	Αναβοσβήνει εναλλάξ με κόκκινο και πράσινο χρώμα.	Μια σειρά παρατεταμένων μπιπ	Τοποθετήστε την κασέτα μπαταριών με τη σκανδάλη διακοπτή απελευθερωμένη.
E1	Αυτόματη διακοπή	Η ενέργεια μπαταρίας είναι χαμηλή και πρέπει να αντικατασταθεί η κασέτα μπαταριών.	Αναβοσβήνει εναλλάξ με κόκκινο και πράσινο χρώμα.	Μια σειρά παρατεταμένων μπιπ	Αντικαταστήστε την μπαταρία με μια πλήρως φορτισμένη.
E2	Αντι-επαναρρύθμιση του ελεγκτή	Η τάση μπαταρίας μειώθηκε ασυνήθιστα για κάποιο λόγο, και το εργαλείο σταμάτησε.	Αναβοσβήνει εναλλάξ με κόκκινο και πράσινο χρώμα.	Μια σειρά παρατεταμένων μπιπ	Αντικαταστήστε την μπαταρία με μια πλήρως φορτισμένη.
E3	Αυτόματη διακοπή με χαμηλή υπόλοιπη χωρητικότητα μπαταρίας	Η ισχύς μπαταρίας έχει σχεδόν εξαντληθεί και το εργαλείο σταμάτησε.	Ανάβει με κόκκινο χρώμα.	Ένα παρατεταμένο μπιπ	Αντικαταστήστε την μπαταρία με μια πλήρως φορτισμένη.
E4	Προστασία υπερφόρτωσης	Συνέβη υπερφόρτωση του εργαλείου και αυτό σταμάτησε.	Αναβοσβήνει εναλλάξ με κόκκινο και πράσινο χρώμα.	Μια σειρά παρατεταμένων μπιπ	Αφαιρέστε την αιτία της υπερφόρτωσης και μετά εκκινήστε ξανά το εργαλείο. Απευθυνθείτε στο τοπικό σας κέντρο εξυπηρέτησης της Makita για επίσκευή.
E5	Προστασία υπερθέρμανσης	Ο ελεγκτής του εργαλείου θερμάνθηκε ασυνήθιστα και το εργαλείο σταμάτησε.	Αναβοσβήνει γρήγορα με κόκκινο χρώμα.	Μια σειρά παρατεταμένων μπιπ	Αφαιρέστε την κασέτα μπαταριών αμέσως και ψύξτε το εργαλείο.
E6	Κλειδώμα μοτέρ	Το μοτέρ έχει κλειδωθεί. Τη συγκεκριμένη στιγμή, το εργαλείο δεν λειτουργεί.	Αναβοσβήνει εναλλάξ με κόκκινο και πράσινο χρώμα.	Μια σειρά παρατεταμένων μπιπ	Αφήστε τη σκανδάλη διακοπτή και τραβήξτε την ξανά.
E7	Αποτυχία μοτέρ	Το εργαλείο ανίχνευσε αποτυχία μοτέρ. Τη συγκεκριμένη στιγμή, το εργαλείο δεν λειτουργεί.	Αναβοσβήνει εναλλάξ με κόκκινο και πράσινο χρώμα.	Μια σειρά παρατεταμένων μπιπ	Απευθυνθείτε στο τοπικό σας κέντρο εξυπηρέτησης της Makita για επίσκευή.
E8	Αποτυχία διακόπτη	Το εργαλείο ανίχνευσε αποτυχία διακόπτη.	Αναβοσβήνει εναλλάξ με κόκκινο και πράσινο χρώμα.	Μια σειρά παρατεταμένων μπιπ	Απευθυνθείτε στο τοπικό σας κέντρο εξυπηρέτησης της Makita για επίσκευή.
E9	Συναγερμός για χρήση για μεγάλη χρονική διάρκεια	Το εργαλείο είναι ενεργοποιημένο για μεγάλη χρονική διάρκεια (περίπου 3 λεπτά).	Αναβοσβήνει εναλλάξ με κόκκινο και πράσινο χρώμα.	Ένα παρατεταμένο μπιπ	Αφήστε τη σκανδάλη διακοπτή και τραβήξτε την ξανά.
-	Αυτόματη διακοπή με την ολοκλήρωση της στερέωσης	Η προρυθμισμένη ροπή στερέωσης έχει επιτευχθεί και το εργαλείο σταμάτησε.	Φωτίζεται με πράσινο χρώμα για περίπου ένα δευτερόλεπτο.	-	-
-	Συναγερμός για ανεπαρκή στερέωση	Δεν έχει επιτευχθεί η προρυθμισμένη ροπή στερέωσης επειδή η σκανδάλη διακοπής αφήθηκε πριν την ολοκλήρωση της στερέωσης.	Φωτίζεται με πράσινο χρώμα για περίπου ένα δευτερόλεπτο.	Ένα παρατεταμένο μπιπ	Σφίξτε ξανά το συνδετήρα.

Αρ. συναγεμού	Λειτουργία	Κατάσταση του εργαλείου	Κατάσταση της ένδειξης LED / βομβητή		Απαιτούμενη ενέργεια
			Ένδειξη LED	Βομβητής	
-	Συναγεμός για όριο της ικανότητας στερέωσης	-	Αναβοσβήνει γρήγορα με κόκκινο χρώμα.	Μια σειρά παρατεταμένων μπιπ	Αντικαταστήστε την μπαταρία με μια πλήρως φορτισμένη.
-	Συναγεμός συντήρησης	Ο αριθμός στερέωσης έχει επιτευχθεί για τον προρυθμισμένο αριθμό πριν τη συντήρηση.	Αναβοσβήνει με κίτρινο χρώμα.	-	Επαναφέρετε το συναγεμό με το λογισμικό εφαρμογής.
-	Συναγεμός για απουσία επικοινωνίας με τον Η/Υ	Δεν υπάρχει επικοινωνία δεδομένων ενώ το εργαλείο είναι συνδεδεμένο με τον Η/Υ.	Αναβοσβήνει με κίτρινο χρώμα.	-	Επαναφέρετε το λογισμικό εφαρμογής και συνδέστε ξανά το καλώδιο USB.
-	Ένδειξη ότι το εργαλείο μπορεί να επικοινωνήσει με τον Η/Υ	Το εργαλείο είναι συνδεδεμένο με τον Η/Υ και η επικοινωνία με αυτόν είναι δυνατή.	Αναβοσβήνει με πράσινο χρώμα.	-	-
-	Ελέγξτε τη λάμπα και τον βομβητή (όταν η κασέτα μπαταριών είναι τοποθετημένη)	Το εργαλείο εκτελεί τη δοκιμή λειτουργίας για την ένδειξη LED (πράσινο/κόκκινο), τη λυχνία και τον βομβητή.	Η ένδειξη LED ανάβει με πράσινο χρώμα και μετά με κόκκινο χρώμα. Μετά από αυτό, η λυχνία ανάβει για λίγο.	Μια σειρά από πολύ σύντομα μπιπ	-

## ΣΥΝΑΡΜΟΛΟΓΗΣΗ

**▲ΠΡΟΣΟΧΗ:** Να βεβαιώνεστε πάντα ότι το εργαλείο είναι σβηστό και η κασέτα μπαταρίας έχει αφαιρεθεί πριν εκτελέσετε κάποια εργασία στο εργαλείο.

### Επιλογή σωστής κρουστικής υποδοχής

Να χρησιμοποιείται πάντοτε το σωστό μέγεθος κρουστικής υποδοχής για μπουλόνια και παξιμάδια. Μια κρουστική υποδοχή λανθασμένου μεγέθους θα έχει σαν αποτέλεσμα ανακριβή και ασυνεπή ροπή στερέωσης ή/και ζημιά στο μπουλόνι ή στο παξιμάδι.

### Τοποθέτηση ή αφαίρεση κρουστικής υποδοχής

#### Προαιρετικό εξάρτημα

**▲ΠΡΟΣΟΧΗ:** Βεβαιωθείτε ότι η κρουστική υποδοχή και το τμήμα στήριξης δεν παρουσιάζουν ζημιά πριν από την εγκατάσταση της κρουστικής υποδοχής.

**▲ΠΡΟΣΟΧΗ:** Αφού τοποθετήσετε την κρουστική υποδοχή, βεβαιωθείτε ότι είναι καλά ασφαλισμένη. Αν όμως βγει έξω, μην τη χρησιμοποιήσετε.

**ΠΑΡΑΤΗΡΗΣΗ:** Ο τρόπος της τοποθέτησης της κρουστικής υποδοχής διαφέρει ανάλογα με τον τύπο του τετράγωνου οδηγού στο εργαλείο.

### Για εργαλείο με το ελατήριο δακτυλίου

#### Για κρουστική υποδοχή χωρίς στρογγυλό δακτύλιο και πείρο

► **Εικ.13:** 1. Κρουστική υποδοχή 2. Τετράγωνος οδηγός 3. Ελατήριο δακτυλίου

Σπρώξτε την κρουστική υποδοχή μέσα στον τετράγωνο οδηγό μέχρι να ασφαλίσει στη θέση του.

Για να βγάλετε την κρουστική υποδοχή, απλώς τραβήξτε την προς τα έξω.

#### Για κρουστική υποδοχή με στρογγυλό δακτύλιο και πείρο

► **Εικ.14:** 1. Κρουστική υποδοχή 2. Στρογγυλός δακτύλιος 3. Πείρος

Μετακινήστε το στρογγυλό δακτύλιο έξω από την αυλάκωση στην κρουστική υποδοχή και βγάλτε τον πείρο από την κρουστική υποδοχή. Προσαρμόστε την κρουστική υποδοχή στον τετράγωνο οδηγό ώστε η οπή στην κρουστική υποδοχή να ευθυγραμμιστεί με την οπή στον τετράγωνο οδηγό.

Περάστε τον πείρο μέσα από την οπή στην κρουστική υποδοχή και στον τετράγωνο οδηγό. Μετά γυρίστε τον στρογγυλό δακτύλιο στην αρχική θέση στην αυλάκωση της κρουστικής υποδοχής για συγκράτηση του πείρου.

Για να αφαιρέσετε την κρουστική υποδοχή, ακολουθήστε τις διαδικασίες εγκατάστασης με αντίστροφη σειρά.

## Για εργαλείο με τον πείρο συγκράτησης

- **Εικ.15:** 1. Κρουστική υποδοχή 2. Οπή 3. Τετράγωνος οδηγός 4. Πείρος συγκράτησης

Ευθυγραμμίστε την οπή στο πλάι της κρουστικής υποδοχής με τον πείρο συγκράτησης στον τετράγωνο οδηγό και σπρώξτε την κρουστική υποδοχή στον τετράγωνο οδηγό μέχρι να ασφαλίσει στη θέση του. Κτυπήστε το ελαφρά αν απαιτείται.

Για να βγάλετε την κρουστική υποδοχή, απλώς τραβήξτε την προς τα έξω. Αν είναι δύσκολο να τη βγάλετε, πιέστε τον πείρο συγκράτησης ενώ τραβάτε την κρουστική υποδοχή.

### Τοποθέτηση γάντζου

#### Προαιρετικό αξεσουάρ

Ο γάντζος χρησιμεύει για το κρέμασμα του εργαλείου. Τοποθετήστε το γάντζο στις οπές στο σώμα του εργαλείου.

- **Εικ.16:** 1. Γάντζος 2. Οπή

## ΛΕΙΤΟΥΡΓΙΑ

**▲ ΠΡΟΣΟΧΗ:** Πάντα να εισαγάγετε την κασέτα μπαταριών έως το τέρμα, μέχρι να ασφαλίσει στη θέση της. Αν μπορείτε να δείτε την κόκκινη ένδειξη στην επάνω πλευρά του κουμπιού, δεν έχει κλειδωθεί τελείως. Εισαγάγετέ την πλήρως έτσι ώστε να μην φαίνεται η κόκκινη ένδειξη. Σε αντίθετη περίπτωση, μπορεί να πέσει κατά λάθος από το εργαλείο και να τραυματίσει εσάς ή κάποιον παρευρισκόμενο.

**▲ ΠΡΟΣΟΧΗ:** Κρατήστε το εργαλείο σταθερά και τοποθετήστε την κρουστική υποδοχή επάνω από το μπουλόνι ή το παξιμάδι. Ανάψτε το εργαλείο και στερεώστε για τον κατάλληλο χρόνο στερέωσης.

**▲ ΠΡΟΣΟΧΗ:** Αν το εργαλείο λειτουργεί συνεχόμενα μέχρι η κασέτα μπαταρίας να εξαντληθεί, αφήστε το εργαλείο σβηστό για 15 λεπτά πριν συνεχίσετε με μια καινούργια κασέτα μπαταρίας.

**▲ ΠΡΟΣΟΧΗ:** Η υπερβολική πίεση στο εργαλείο δεν επιταχύνει τη διάτρηση. Στην πραγματικότητα, αυτή η υπερβολική πίεση προκαλεί ζημιά στο άκρο της μύτης τρυπανιού, μείωση της απόδοσης όπως και της διάρκειας ζωής του εργαλείου.

**▲ ΠΡΟΣΟΧΗ:** Να ασφαρίζετε πάντα τα τεμάχια εργασίας σε μέγγενη ή παρόμοια διάταξη συγκράτησης.

- **Εικ.17**

Η σωστή ροπή στερέωσης μπορεί να διαφέρει ανάλογα με το είδος ή το μέγεθος του μπουλονιού, το υλικό του τεμαχίου εργασίας προς στερέωση, κ.τλ.

**ΕΙΔΟΠΟΙΗΣΗ:** Όταν στερεώνετε μικρά μπουλόνια, ρυθμίστε προσεκτικά την πίεση στη σκανδάλη διακόπτη έτσι ώστε να μην πάθει ζημιά το μπουλόνι.

**ΕΙΔΟΠΟΙΗΣΗ:** Κρατήστε το εργαλείο στραμμένο ίσια στο μπουλόνι ή στο παξιμάδι.

**ΕΙΔΟΠΟΙΗΣΗ:** Η υπερβολική ροπή στερέωσης μπορεί να προκαλέσει ζημιά στο μπουλόνι/παξιμάδι ή στην κρουστική υποδοχή. Πριν αρχίσετε την εργασία σας, να κατελείτε πάντα μια δοκιμαστική λειτουργία για να καθορίσετε το σωστό χρόνο στερέωσης για το μπουλόνι ή το παξιμάδι σας.

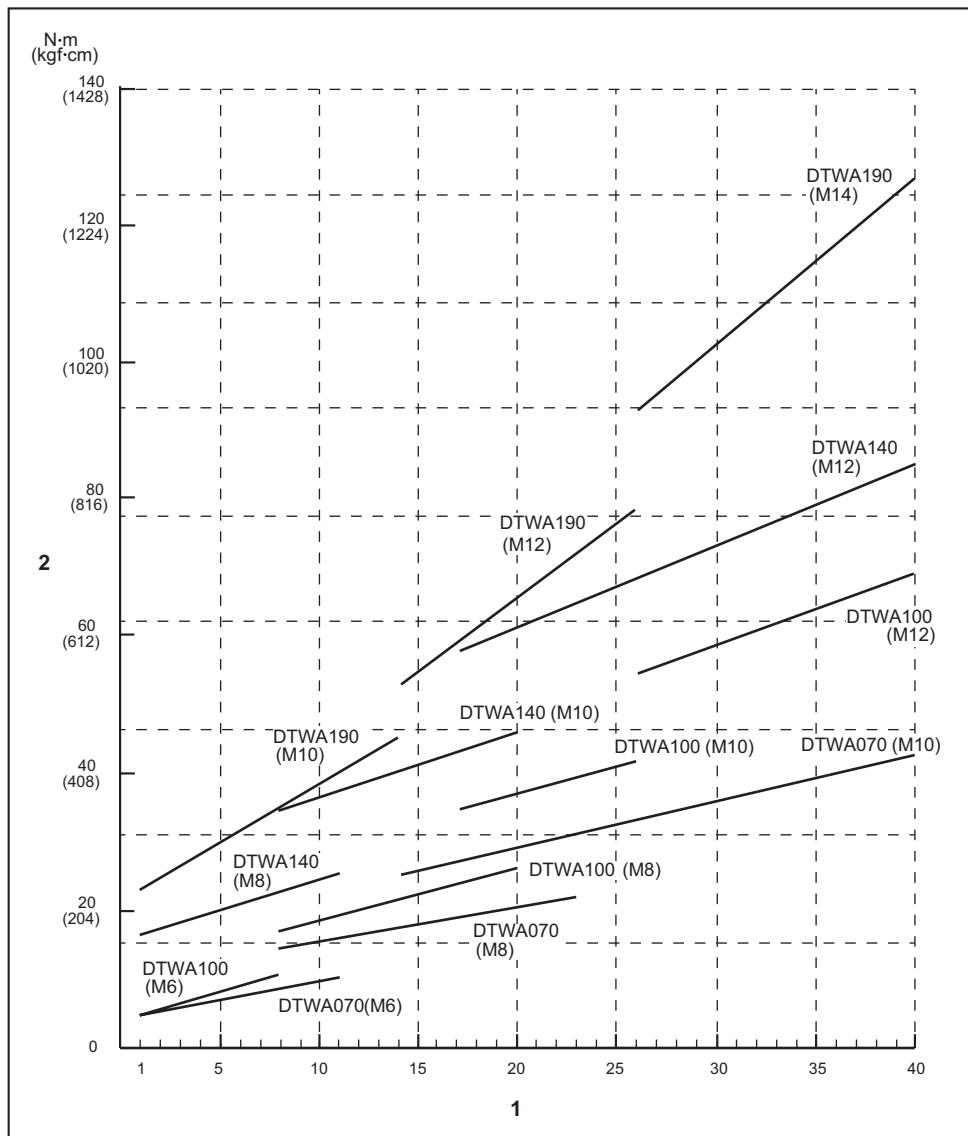
Η ροπή στερέωσης επηρεάζεται από μια μεγάλη ποικιλία παραγόντων που περιλαμβάνουν και τα ακόλουθα. Μετά τη στερέωση, να ελέγχετε πάντα τη ροπή με ένα ροποκλείδο.

1. Όταν η κασέτα μπαταρίας έχει εκφορτιστεί σχεδόν εντελώς, η τάση θα πέσει και η ροπή στερέωσης θα μειωθεί.
2. Κρουστική υποδοχή
  - Αν δεν χρησιμοποιήσετε το σωστό μέγεθος κρουστικής υποδοχής, θα προκληθεί μείωση στη ροπή στερέωσης.
  - Μια φθαρμένη κρουστική υποδοχή (φθορά στο εξαγωνικό άκρο ή στην τετράγωνη άκρη) θα προκαλέσει μείωση στη ροπή στερέωσης.
3. Μπουλόνι
  - Ακόμη κι αν ο συντελεστής ροπής και η κατηγορία μπουλονιού είναι τα ίδια, η σωστή ροπή στερέωσης θα διαφέρει ανάλογα με τη διάμετρο του μπουλονιού.
  - Ακόμη κι αν οι διάμετροι των μπουλονιών είναι οι ίδιες, η σωστή ροπή στερέωσης θα διαφέρει ανάλογα με τον συντελεστή ροπής, την κατηγορία του μπουλονιού και το μήκος του μπουλονιού.
4. Η χρήση της άρθρωσης γενικής χρήσης ή της ράβδου επέκτασης μειώνει κάπως τη δύναμη στερέωσης του κρουστικού κλειδιού. Αντισταθμίστε στερεώνοντας για μακρύτερη χρονική περίοδο.
5. Ο τρόπος κρατήματος του εργαλείου ή το υλικό της προς στερέωση θέσης βιδώματος θα επηρεάσει τη ροπή.
6. Η λειτουργία του εργαλείου σε χαμηλή ταχύτητα θα προκαλέσει μείωση της ροπής στερέωσης.

## Ροπή στερέωσης και επίπεδο ροπής

**ΠΑΡΑΤΗΡΗΣΗ:** Αυτή η τιμή αναφοράς μετριέται υπό τις συνθήκες μέτρησης που καθορίζονται από την Makita.

**ΠΑΡΑΤΗΡΗΣΗ:** Η πραγματική τιμή μπορεί να διαφέρει ανάλογα με τις περιστάσεις των συνδετήρων, των υλικών και της μεθόδου στερέωσης. Πραγματοποιήστε μια δοκιμή πριν την πραγματική εργασία.



1. Επίπεδο ροπής 2. Ροπή στερέωσης

## ΣΥΝΤΗΡΗΣΗ

**⚠ ΠΡΟΣΟΧΗ:** Πριν την εκτέλεση εργασιών επιθεώρησης ή συντήρησης, πάντοτε να βεβαιώνετε ότι η συσκευή απενεργοποιήθηκε και η κασέτα μπαταριών έχει αφαιρεθεί.

**ΕΙΔΟΠΟΙΗΣΗ:** Μην χρησιμοποιείτε ποτέ βενζίνη, πετρελαϊκό αιθέρα, διαλυτικό, αλκοόλη ή παρόμοιες ουσίες. Μπορεί να προκληθεί αποχρωματισμός, παραμόρφωση ή ρωγμές.

Για τη διατήρηση της ΑΣΦΑΛΕΙΑΣ και ΑΞΙΟΠΙΣΤΙΑΣ του προϊόντος, οι επισκευές και οποιαδήποτε άλλη εργασία συντήρησης ή ρύθμισης πρέπει να εκτελούνται από εξουσιοδοτημένα ή εργοστασιακά κέντρα εξυπηρέτησης της Makita, χρησιμοποιώντας πάντοτε ανταλλακτικά της Makita.

## ΠΡΟΑΙΡΕΤΙΚΑ ΕΞΑΡΤΗΜΑΤΑ

**⚠ ΠΡΟΣΟΧΗ:** Αυτά τα εξαρτήματα ή προσαρτήματα συνιστώνται για χρήση με το εργαλείο Makita που περιγράφηκε στις οδηγίες αυτές. Η χρήση οποιωνδήποτε άλλων εξαρτημάτων ή προσαρτημάτων μπορεί να προκαλέσει κίνδυνο τραυματισμού σε άτομα. Να χρησιμοποιείτε τα εξαρτήματα ή προσαρτήματα μόνο για την χρήση που προορίζονται.

Εάν χρειάζεστε οποιαδήποτε βοήθεια για περισσότερες πληροφορίες σε σχέση με αυτά τα εξαρτήματα, αποτανθείτε στο τοπικό σας κέντρο εξυπηρέτησης Makita.

- Γάντζος
- Προστατευτικό (μπλε, κόκκινο, κίτρινο, πράσινο, διάφανο)
- Προστατευτικό μπαταρίας για BL1460A
- Προστατευτικό μπαταρίας για BL1415NA
- Γνήσια μπαταρία και φορτιστής της Makita
- Καλώδιο USB

**ΠΑΡΑΤΗΡΗΣΗ:** Μερικά στοιχεία στη λίστα μπορεί να συμπεριλαμβάνονται στη συσκευασία εργαλείου ως στάνταρ εξαρτήματα. Μπορεί να διαφέρουν ανάλογα με τη χώρα.

## TEKNİK ÖZELLİKLER

Model:		DTWA070	DTWA100	DTWA140	DTWA190
Sıkma kapasiteleri	Standart civata	M5 - M12		M6 - M16	M8 - M16
	Yüksek germe civatası	M5 - M10		M6 - M12	M8 - M14
Maksimum sıkma torku		65 N•m	95 N•m	140 N•m	185 N•m
Tork aralığı		Yaklaşık 5 - 40 N•m	Yaklaşık 6 - 65 N•m	Yaklaşık 18 - 80 N•m	Yaklaşık 25 - 125 N•m
Kare uçlu geçme anahtarı		9,5 mm		12,7 mm	
Yüksüz hız (devir/dak)		0 - 2.500 min <sup>-1</sup>	0 - 2.700 min <sup>-1</sup>		0 - 2.600 min <sup>-1</sup>
Dakikadaki darbe sayısı		0 - 3.700 min <sup>-1</sup>	0 - 3.300 min <sup>-1</sup>		0 - 3.000 min <sup>-1</sup>
Toplam uzunluk		144 mm	151 mm	158 mm	
Anma gerilimi		D.C. 14,4 V			
Net ağırlık		1,1 - 1,4 kg	1,2 - 1,4 kg	1,2 - 1,5 kg	1,3 - 1,6 kg
Kullanılabilir USB kablosu		661432-2			

- Sürekli yapılan araştırma ve geliştirmelerden dolayı, burada belirtilen özellikler önceden bildirilmeksizin değiştirilebilir.
- Özellikler ülkeden ülkeye değişebilir.
- Ağırlık, ekli aksesuara/aksesuarlara ve batarya kartuşuna bağlı olarak farklılık gösterebilir. EPTA-Prosedürü 01/2014'e göre en hafif ve en ağır kombinasyonlar tabloda verilmiştir.

### Geçerli batarya kartuşu ve şarj aleti

Batarya kartuşu	BL1415N / BL1415NA / BL1430B / BL1440 / BL1460A / BL1460B
Şarj aleti	DC18RC / DC18RD / DC18RE / DC18SD / DC18SE / DC18SF / DC18SH

- Yukarıda listelenen batarya kartuşlarının ve şarj aletlerinin bazıları yaşadığımız bölgeye bağlı olarak mevcut olmayabilir.

**UYARI:** Sadece yukarıda listelenen batarya kartuşlarını ve şarj aletlerini kullanın. Başka batarya kartuşlarının ve şarj aletlerinin kullanılması yaralanma ve/veya yangına neden olabilir.

### Kullanım amacı

Bu aletin civata ve somunları sıkma için kullanılması amaçlanmıştır.

### Gürültü

Tipik A-ağırlıklı gürültü düzeyi (EN62841-2-2 standardına göre belirlenen):

#### Model DTWA070

Ses basınç seviyesi (L<sub>PA</sub>): 92 dB (A)

Ses gücü düzeyi (L<sub>WA</sub>): 103 dB (A)

Belirsizlik (K): 3 dB (A)

#### Model DTWA100

Ses basınç seviyesi (L<sub>PA</sub>): 93 dB (A)

Ses gücü düzeyi (L<sub>WA</sub>): 104 dB (A)

Belirsizlik (K): 3 dB (A)

#### Model DTWA140

Ses basınç seviyesi (L<sub>PA</sub>): 96 dB (A)

Ses gücü düzeyi (L<sub>WA</sub>): 107 dB (A)

Belirsizlik (K): 3 dB (A)

#### Model DTWA190

Ses basınç seviyesi (L<sub>PA</sub>): 95 dB (A)

Ses gücü düzeyi (L<sub>WA</sub>): 106 dB (A)

Belirsizlik (K): 3 dB (A)

**NOT:** Beyan edilen gürültü emisyonu değer(ler) i bir standart test yöntemine uygun şekilde ölçülmüştür ve bir aleti bir başkasıyla karşılaştırmak için kullanılabilir.

**NOT:** Beyan edilen gürültü emisyonu değer(ler) i bir ön maruz kalma değerlendirmesi olarak da kullanılabilir.

**UYARI:** Kulak koruyucuları takın.

**UYARI:** Elektrikli aletin gerçek kullanımı sırasındaki gürültü emisyonu, aletin kullanım biçimlerine, özellikle işlenen iş parçasının türüne bağlı olarak beyan edilen değer(ler)den farklı olabilir.

**UYARI:** Gerçek kullanım koşullarındaki tahmini maruziyeti baz alan, operatörü koruyacak güvenlik önlemlerini mutlaka belirleyin (çalışma döngüsü içerisinde aletin kapalı olduğu ve aktif durumda olmasının yanı sıra boşta çalıştığı zamanlar gibi, bütün zaman dilimleri göz önünde bulundurarak).

## Titreşim

Titreşim toplam değeri (üç eksenli vektör toplamı) (EN62841-2-2 standardına göre hesaplanan):

### Model DTWA070

Çalışma modu: aletin maksimum kapasitesiyle tespit malzemelerinin darbeleri sıklığı  
Titreşim emisyonu ( $a_h$ ): 9,0 m/s<sup>2</sup>  
Belirsizlik (K) : 1,5 m/s<sup>2</sup>

### Model DTWA100

Çalışma modu: aletin maksimum kapasitesiyle tespit malzemelerinin darbeleri sıklığı  
Titreşim emisyonu ( $a_h$ ): 8,5 m/s<sup>2</sup>  
Belirsizlik (K) : 1,5 m/s<sup>2</sup>

### Model DTWA140

Çalışma modu: aletin maksimum kapasitesiyle tespit malzemelerinin darbeleri sıklığı  
Titreşim emisyonu ( $a_h$ ): 10,0 m/s<sup>2</sup>  
Belirsizlik (K) : 1,5 m/s<sup>2</sup>

### Model DTWA190

Çalışma modu: aletin maksimum kapasitesiyle tespit malzemelerinin darbeleri sıklığı  
Titreşim emisyonu ( $a_h$ ): 10,5 m/s<sup>2</sup>  
Belirsizlik (K) : 1,5 m/s<sup>2</sup>

**NOT:** Beyan edilen titreşim toplam değeri bir standart test yöntemine uygun şekilde ölçülmüştür ve bir aleti bir başkasıyla karşılaştırmak için kullanılabilir.

**NOT:** Beyan edilen titreşim toplam değeri bir ön maruz kalma değerlendirmesi olarak da kullanılabilir.

**UYARI:** Elektrikli aletin gerçek kullanımı sırasındaki titreşim emisyonu, aletin kullanım biçimlerine, özellikle işlenen iş parçasının türüne bağlı olarak beyan edilen değeri farklı olabilir.

**UYARI:** Gerçek kullanım koşullarındaki tahmini maruziyeti baz alan, operatörü koruyacak güvenlik önlemlerini mutlaka belirleyin (çalışma döngüsü içerisinde aletin kapalı olduğu ve aktif durumda olmasının yanı sıra boşta çalıştığı zamanlar gibi, bütün zaman dilimleri göz önünde bulundurarak).

## EC Uygunluk Beyanı

### Sadece Avrupa ülkeleri için

EC uygunluk beyanı bu kullanım kılavuzuna Ek A olarak eklenmiştir.

## GÜVENLİK UYARILARI

### Genel elektrikli alet güvenliği uyarıları

**UYARI:** Bu elektrikli aletle birlikte sunulan tüm güvenlik uyarılarını, talimatları, çizimleri ve teknik özellikleri okuyun. Aşağıda verilen talimatlara uyulmaması elektrik şoku, yangın ve/veya ciddi yaralanmalar ile sonuçlanabilir.

## Tüm uyarıları ve talimatları ile-ride başurmak için saklayın.

Uyarılardaki "elektrikli alet" terimi ile ya prizden çalışan (kordonlu) elektrikli aletiniz ya da kendi aküsü ile çalışan (kordonsuz) elektrikli aletiniz kastedilmektedir.

## Akülü darbeli somun sıkma güvenlik uyarıları

1. Sıkma aletinin görünmeyen kablolarla temas etme olasılığı bulunan yerlerde çalışırken elektrikli aletleri yalıtımlı kavrama yüzeylerinden tutun. Sıkma aletlerinin "akımlı" bir telle temas etmesi elektrikli aletin yalıtımsız metal kısımlarını "akımlı" hale getirebilir ve kullanıcıyı elektrik şokuna maruz bırakabilir.
2. Kulak koruyucularını takın.
3. Takmadan önce darbeli lokma anahtarında aşınma, çatlak ya da hasar olup olmadığını kontrol edin.
4. Makineyi iki elinizle sıkıca tutun.
5. Ellerinizi dönen parçalardan uzak tutun.
6. İşlemin hemen ardından darbeli lokma anahtarına, cıvataya, somuna ya da iş parçasına dokunmayın. Bunlar oldukça sıcak olabilir ve cildinizi yakabilir.
7. Her zaman yere sağlam basın. Makineyi yüksekte kullandığınızda, altında kimsenin olmadığından emin olun.
8. Uygun sıkma torku cıvatanın tipine ya da boyutuna göre değişebilir. Bir tork anahtarı ile torku kontrol edin.
9. Aletin kullanımından dolayı hasar görmesi halinde tehlikeye yol açabilecek elektrik kabloları, su boruları, gaz boruları, vb. olmadığından emin olun.

## BU TALİMATLARI SAKLAYIN.

**UYARI:** Ürünü kullanırken (defalarca kullanınca kazanılan) rahatlık ve tanıdıklık duygusunun ilgili ürünün güvenlik kurallarına sıkı sıkıya bağlı kalmanın yerine geçmesine İZİN VERMEYİN.

**YANLIŞ KULLANIM** veya bu kullanma kılavuzunda belirtilen emniyet kurallarına uymama ciddi yaralanmaya neden olabilir.

## Batarya kartuşu hakkında önemli güvenlik talimatları

1. Batarya kartuşunu kullanmadan önce, tüm talimatları ve (1) batarya kartuşu, (2) batarya ve (3) ürün üzerindeki tüm uyarı işaretlerini okuyun.
2. Batarya kartuşunu parçalarına ayırmayın veya kuralamayın. Yangın, aşırı ısı veya patlamaya neden olabilir.
3. Çalışma süresi aşırı derecede kısalmışsa kullanmayı derhal bırakın. Aşırı ısınma, yanma riski hatta patlamaya neden olabilir.
4. Gözünüze elektrolit kaçarsa, gözlerinizi temiz suyla durulayın ve hemen tıbbi yardım alın. Görme kaybına yol açabilir.



5. **Batarya kartuşuna kısa devre yaptırmayın:**

- (1) Terminallere herhangi bir iletken madde deęirdirmeyin.
- (2) Batarya kartuşunu çiviler, madeni paralar, vb. gibi başka metal nesnelere aynı kaba koymaktan kaçının.
- (3) Batarya kartuşunu yağmura ya da suya maruz bırakmayın.

Kısa devre, büyük bir akım akışına, aşırı ısınmaya, olası yanıklara hatta bataryanın bozulmasına yol açabilir.

6. **Aleti ve batarya kartuşunu sıcaklığın 50°C ya da daha yükseğe ulaştığı yerlerde saklamayın ve kullanmayın.**
7. **Aşırı derecede hasar görmüş ya da tamamen kullanılamaz durumda olsa bile batarya kartuşunu yakmayın. Batarya kartuşu ateşe atılırsa patlayabilir.**
8. **Batarya kartuşunu çivilemeyin, kesmeyin, ezmeyin, fırlatmayın, düşürmeyin ya da batarya kartuşuna sert bir nesne ile vurmayın. Bu eylemler yangın, aşırı ısı veya patlamaya neden olabilir.**
9. **Hasarlı bataryayı kullanmayın.**
10. **Aletin içerdığı lityum-iyon bataryalar Tehlikeli Eşyalar Yönetmeliğinin gereksinimlerine tabidir. Ticari nakliye işlemleri için, örneğin üçüncü taraflar, nakliye acenteleri tarafından yapılan nakliyelerde, paketleme ve etiketleme gereksinimlerine uyulmalıdır. Nakliyesi yapılacak ürünün hazırlanması için, tehlikeli maddeler konusunda uzman bir kişiye danışın. Lütfen muhtemelen daha ayrıntılı olan ulusal yönetmeliklere de uyun. Açık kontakları bantlayın ya da maskeleyin ve bataryayı paketin içinde hareket ettirmeyecek şekilde paketleyin.**
11. **Batarya kartuşunu bertaraf ederken aletten çıkarın ve güvenli bir yerde bertaraf edin. Bataryanın bertaraf edilmesi ile ilgili yerel düzenlemelere uyunuz.**
12. **Bataryaları sadece Makita tarafından belirtilen ürünlerle kullanın. Bataryaların uyumsuz ürünlere takılması; yangın, aşırı ısınma, patlama ya da elektrolit sızıntısına neden olabilir.**
13. **Alet uzun süre kullanılmıyacaksa batarya aletten çıkarılmalıdır.**
14. **Kullanma sırasında ve sonrasında batarya kartuşu ısınarak yanıklara veya düşük sıcaklık yanıklarına yol açabilir. Sıcak batarya kartuşları ile işlem yaparken dikkat edin.**
15. **Yanıklara neden olabilecek kadar sıcak olabileceğinden kullandıktan hemen sonra aletin terminaline dokunmayın.**
16. **Batarya kartuşunun terminallerine, deliklerine ve kanallarına micir, toz veya toprak girmesine izin vermayın. Aletin veya batarya kartuşunun zayıf performans göstermesine veya bozulmasına neden olabilir.**
17. **Alet yüksek gerilim elektrik güç hatları yakınında kullanımı desteklemediği sürece batarya kartuşunu yüksek gerilim elektrik güç hatlarının yakınında kullanmayın. Aletin veya batarya kartuşunun arızalanmasına veya bozulmasına neden olabilir.**
18. **Bataryayı çocuklardan uzak tutun.**

**BU TALİMATLARI MUHAFAZA EDİNİZ.**

**▲DİKKAT:** Sadece orijinal Makita bataryalarını kullanın. Orijinal olmayan Makita bataryaları ya da üzerine deęişiklik yapılmış bataryaların kullanımı bataryanın patlamasına ve sonuç olarak yangın, kişisel yaralanma ve hasara neden olabilir. Ayrıca Makita aleti ve şarj aletinin Makita tarafından sunulan garantisi de geçersiz olur.

## Maksimum batarya ömrü için ipuçları

1. Batarya kartuşunu tamamen boşalmadan önce şarj edin. Aletin gücünün zayıflamaya başladığını fark ettiğinizde aleti durdurun ve batarya kartuşunu şarj edin.
2. Tam dolu bir batarya kartuşunu asla yeniden şarj etmeyin. Aşırı şarj etme bataryanın hizmet ömrünü kısaltır.
3. Batarya kartuşunu 10 °C - 40 °C oda sıcaklığında şarj edin. Sıcak bir batarya kartuşunu şarj etmeden önce soğumasını bekleyin.
4. Batarya kartuşunu kullanmıyorken aletten veya şarj aletinden çıkarın.
5. Uzun bir süre (altı aydan daha fazla) kullanmadığınız durumlarda batarya kartuşunu şarj edin.

## İŞLEVSEL NİTELİKLER

**▲DİKKAT:** Alet üzerinde ayarlama veya işleyiş kontrolü yapmadan önce aletin kapalı ve batarya kartuşunun ayrılmış olduğundan daima emin olun.

## Batarya kartuşunun takılması ve çıkarılması

**▲DİKKAT:** Batarya kartuşunu takmadan ya da çıkarmadan önce aleti daima kapatın.

**▲DİKKAT:** Batarya kartuşunu takarken veya çıkarırken aleti ve batarya kartuşunu sıkıca tutun. Aletin ve batarya kartuşunun sıkıca tutulmaması bunların düşürülmesine sebep olabilir ve alet ve batarya kartuşunun zarar görmesine ya da ciddi yaralanmasına yol açabilir.

► **Şek.1:** 1. Kırmızı gösterge 2. Düğme 3. Batarya kartuşu

Batarya kartuşunu çıkarmak için, kartuşun ön tarafındaki düğmeyi kaydırarak kartuşu aletten çıkarın.

Batarya kartuşunu takmak için, batarya kartuşu üzerindeki dili yuvanın oluğu ile hizalayın ve kartuşu yerine oturtun. Kartuşu, küçük bir tık sesi ile yerine sabitlenene dek sonuna kadar itirin. Şekilde gösterildiği gibi kırmızı göstereyi görebiliyorsanız tam olarak kilitlenmemiş demektir.

**▲DİKKAT:** Batarya kartuşunu daima kırmızı gösterge görünmeyecek şekilde tam olarak takın. Yerine tam oturmazsa, aletten yanlışlıkla düşebilir, sizin ya da çevrenizdeki kişilerin yaralanmasına neden olabilir.

**▲DİKKAT:** Batarya kartuşunu zorlayarak takmayın. Kartuş kolay bir şekilde kaymıyorsa doğru yerleştirilmemiş demektir.

## Alet/batarya koruma sistemi

Bu alet bir alet/batarya koruma sistemi ile donatılmıştır. Bu sistem motora giden gücü otomatik olarak keserek uzun alet ve batarya ömrü sağlar. Alet veya batarya için aşağıdaki durumlardan biri söz konusu olduğunda aletin işleyişi otomatik olarak durur:

### Aşırı yük koruması

Batarya, anormal derecede yüksek akım çekmesine neden olacak şekilde kullanıldığında, alet hiçbir belirti vermeden otomatik olarak durur. Bu durumda, aleti kapatın ve aletin aşırı yüklenmesine neden olan uygulamayı durdurun. Daha sonra aleti yeniden başlaması için çalıştırın.

### Aşırı ısınma koruması

Alet/batarya aşırı ısındığında, alet otomatik olarak durur. Bu durumda, yeniden çalıştırmadan önce aletin/bataryanın soğumasını bekleyin.

### Aşırı deşarj koruması

Batarya kapasitesi yeterli olmadığında, alet otomatik olarak durur. Bu durumda, bataryayı aletten çıkarın ve bataryayı tekrar şarj edin.

## Kalan batarya kapasitesinin kontrol edilmesi (BL1460A)

► **Şek.2:** 1. Gösterge lambaları 2. Kontrol düğmesi

**NOT:** Kullanım koşullarına ve ortam sıcaklığına bağlı olarak, gösterilen değer gerçek kapasiteden biraz farklılık gösterebilir.

### Şarj ederken

Şarj başladığında ilk (en soldaki) gösterge lambası yanıp sönmeye başlar. Daha sonra şarj devam ettikçe diğer lambalar birbiri ardında yanarak batarya kapasitesini gösterir.

**NOT:** Şarj ederken gösterge lambası yanmaz veya yanıp sönmeye batarya arızalı olabilir. Bu durumda yerel servisimize başvurun.

### Kullanırken

Alet açıldığında lambalar yanarak kalan batarya kapasitesini gösterir. Alet kapatıldığında ışık yaklaşık 5 saniye sonra kapanır.

Alet kapalıyken kontrol düğmesine basılırsa gösterge lambaları yaklaşık 5 saniye yanarak batarya kapasitesini gösterir.

Turuncu lamba yanıp sönerse kalan batarya kapasitesi az olduğundan dolayı alet durur (Otomatik durma mekanizması). Bu durumda batarya kartuşunu şarj edin veya şarjlı bir batarya kartuşu kullanın.

Alet uzun süredir kullanılmayan bir bataryayla kullanılır ve açılırsa hiçbir lamba yanmayabilir. Bu durumda kalan batarya kapasitesi az olduğundan dolayı alet durur. Bataryayı düzgün bir şekilde şarj edin.

## Anahtar işlemi

► **Şek.3:** 1. Anahtar tetik

**⚠DİKKAT:** Batarya kartuşunu alete takmadan önce anahtar tetiğinin doğru çalıştığından ve bırakıldığına "OFF" (kapalı) konumuna döndüğünden emin olun.

Aleti çalıştırmak için, sadece anahtar tetiği çekin. Aletin çalışma hızı anahtar tetik üstüne daha fazla baskı yapılarak artırılır. Durdurmak için anahtar tetiği serbest bırakın.

**NOT:** Yaklaşık 3 dakika boyunca anahtar tetiği çekmeye devam ederseniz alet otomatik olarak durur.

## Ön lambanın yakılması

► **Şek.4:** 1. Lamba

**⚠DİKKAT:** İşğe bakmayın ya da ışık kaynağını doğrudan görmeyin.

Lambayı yakmak için anahtar tetiği çekin. Anahtar tetik çekilirken lamba yanmaya devam eder. Anahtar tetik serbest bırakıldıktan yaklaşık 10 saniye sonra lamba söner.

**NOT:** Lamba lensini temizlemek için kuru bir bez kullanın. Aydınlatmayı azaltacağı için lamba lensinin çizilmemesine dikkat edin.

## Ters dönüş mandalı işlemi

► **Şek.5:** 1. Ters dönüş mandalı anahtarı

**⚠DİKKAT:** Kullanmadan önce dönüş yönünü daima kontrol edin.

**⚠DİKKAT:** Ters döndürme anahtarını sadece alet tamamen durduktan sonra kullanın. Dönüş yönünün alet durmadan önce değiştirilmesi alete zarar verebilir.

**⚠DİKKAT:** Aleti kullanmadığınız zaman, ters döndürme anahtarını daima nötr konumuna ayarlayın.

Bu aletin dönüş yönünü değiştirmek için bir ters döndürme anahtarı vardır. Ters döndürme anahtarına saat yönünde dönüş için A tarafından tersi yönde dönüş içinse B tarafından bastırın.

Ters döndürme anahtarı nötr konumundayken tetik anahtar çekilemez.

## Parametre ayarının bilgisayarda değiştirilmesi

"Makita Industry Tool Settings" uygulama yazılımı ile aletin ayrıntılı ayarını yapabilirsiniz. Uygulama yazılımını bilgisayarınıza yükleyin ve bir USB kablosu ile aleti bilgisayara bağlayın.

Yapılandırma ayrıntıları için "Makita Industry Tool Settings" kullanma kılavuzuna bakın.

► **Şek.6:** 1. USB bağlantı noktası 2. USB kapağı 3. USB kablosu

**ÖNEMLİ NOT:** Sıkma sırasında USB kapağının kapalı olduğundan emin olun.

**NOT:** Ters dönüş mandalı saat yönünde dönüş tarafına alındığında gösterge, saat yönünde dönüş ayarını gösterir.

Ters dönüş mandalı saatin aksi yönünde dönüş tarafına alındığında gösterge, saatin aksi yönünde dönüş ayarını gösterir.

**NOT:** Ön ayarlı rakamı rehber olarak kullanın. Sıkma torkunu korumak için darbe sayısı, kalan batarya kapasitesine göre otomatik olarak değişir.

**NOT:** Bilgisayarınızı alete bağlamak için orijinal Makita USB kablosunu kullanın. "TEKNİK ÖZELLİKLER" kısmına bakın.

**NOT:** Uygulama yazılımı için lütfen Makita satış temsilcisine başvurun.

## Parametre ayarının alette değiştirilmesi (Saha Ayar modu)

**ÖNEMLİ NOT:** Bu fonksiyon varsayılan olarak mevcuttur. Saha Ayar modunu bilgisayarda devre dışı bıraktıysanız bu fonksiyonu öncesinde devreye alın. Yapılandırma hakkında bilgi almak için "Makita Industry Tool Settings" kullanma kılavuzuna bakın.

**ÖNEMLİ NOT:** Saha Ayar modu devre dışı ise alette ayar yapılamaz. Ayar düğmesine bastığınızda alette ayarlı değerler sırayla görüntülenir.

Mevcut ayar numarası, göstergede görüntülenir.

Ayar düğmesine her bastığınızda göstergede tork düzeyi, ilk sıkma düzeyi, çalışılabilir zaman aralığı ve "Ad." görüntülenir.

► **Şek.7:** 1. Ayar düğmesi 2. Gösterge

Aletinize aşağıdaki parametre ayarlarını değiştirebilirsiniz:

- Otomatik durma ayarı / Serbest mod

Ayar öğesi	Gösterge gösterimi	Açıklama
Tork düzeyi	01 - 40 FF OP	Sıkma Otomatik Durma modunun çalıştığı tork düzeyi
İlk sıkma düzeyi	L1 - L7 OP	Tespit elemanı oturma hassasiyeti
Çalışılabilir zaman aralığı	Lo: 0.1 - 9.9 Hi: 0.1 - 9.9 --	Anahtar tetiği çekmeye devam ettiğinizde en kısa/en uzun dönüş süresi.

**ÖNEMLİ NOT:** Göstergede "OP" (Gevşetme Otomatik Durma modu) görüntüldüğünde tork düzeyi ayarı ve ilk sıkma düzeyi ayarı kullanılamaz. Bu durumda modu Sıkma Otomatik Durma modu olarak değiştirin ve ardından "Makita Industry Tool Settings" yazılımını kullanarak bilgisayarda tork düzeyi ve ilk sıkma düzeyini ayarlayın.

## Tork düzeyinin değiştirilmesi

Tork düzeyini 23'ten 34'e değiştirirken

► **Şek.8**

1. Ayar düğmesine, göstergede tork düzeyinin mevcut ayarını temsil eden 2 haneli bir rakam gösterilene kadar birkaç kez basın.
2. Ayar düğmesine basın ve onlar hanesindeki rakam yanıp sönmeye başlayınca kadar basılı tutun.
3. Ayar düğmesine kısaca basarak onlar hanesindeki rakamı ayarlayın. Ayar düğmesine her bastığınızda göstergede "0" ile "4" arasındaki rakamlar ve "F" dönüşümlü olarak görüntülenir.
4. Ayar düğmesine basın ve birler hanesindeki rakam yanıp sönmeye başlayınca kadar basılı tutun.
5. Ayar düğmesine kısaca basarak birler hanesindeki rakamı ayarlayın. Ayar düğmesine her bastığınızda göstergede "0" ile "9" arasındaki rakamlar ve "F" dönüşümlü olarak görüntülenir.
6. Ayar düğmesine basın ve birkaç saniye basılı tutun.

**NOT:** İşiniz için hangi tork düzeyinin uygun olduğundan emin değilseniz aletin Serbest modda çalışması için "FF"e ayarlayın.

**NOT:** "00" girerseniz "00" yerine "FF" görüntülenir.

## İlk sıkma düzeyinin değiştirilmesi

İlk sıkma düzeyini L1'den L2'ye değiştirirken

► **Şek.9**

1. Ayar düğmesine, göstergede "L" ile başlayıp bir rakamla devam eden 2 karakter gösterilene kadar birkaç kez basın. Bu, ilk sıkma düzeyinin mevcut ayarını temsil eder.
2. Ayar düğmesine basın ve gösterge yanıp sönmeye başlayınca kadar basılı tutun.
3. İlk sıkma düzeyini ayarlayın. Ayar düğmesine her bastığınızda göstergede "L1" ile "L7" arasındaki düzeyler dönüşümlü olarak görüntülenir. En düşük ilk sıkma düzeyi "L1", en yüksek "L7"dir.
4. Ayar düğmesine basın ve birkaç saniye basılı tutun.

## En kısa çalışılabilir zaman aralığının değiştirilmesi

En kısa çalışılabilir zaman aralığını 2.5'ten 3.6'ya değiştirirken

### ► Şek.10

1. Ayar düğmesine, göstergede "Lo" ve bir rakam dönüşümlü olarak gösterilene kadar birkaç kez basın. Bu, en kısa çalışılabilir zaman aralığının mevcut ayarını temsil eder.
2. Ayar düğmesine basın ve birler hanesindeki rakam yanıp sönmeye başlayıncaya kadar basılı tutun.
3. Ayar düğmesine kısaca basarak birler hanesindeki rakamı ayarlayın. Ayar düğmesine her bastığınızda göstergede "0" ile "9" arasındaki rakamlar dönüşümlü olarak görüntülenir.
4. Ayar düğmesine basın ve ondalık hanesindeki rakam yanıp sönmeye başlayıncaya kadar basılı tutun.
5. Ayar düğmesine kısaca basarak ondalık hanesindeki rakamı ayarlayın. Ayar düğmesine her bastığınızda göstergede "0" ile "9" arasındaki rakamlar dönüşümlü olarak görüntülenir.
6. Ayar düğmesine basın ve birkaç saniye basılı tutun.

**NOT:** En kısa çalışılabilir zaman aralığı için "0.1"den daha küçük bir değer ayarlarken göstergede "-." görüntülenir ve en kısa çalışılabilir zaman aralığı devre dışı kalır. "-." girmek için değeri "0.9" olarak ayarlayın ve ardından birler hanesindeki rakam yanıp sönerken ayar düğmesine basın.

## En uzun çalışılabilir zaman aralığının değiştirilmesi

En uzun çalışılabilir zaman aralığını 2.5'ten 3.6'ya değiştirirken

### ► Şek.11

1. Ayar düğmesine, göstergede "HI" ve bir rakam dönüşümlü olarak gösterilene kadar birkaç kez basın. Bu, en uzun çalışılabilir zaman aralığının mevcut ayarını temsil eder.
2. Ayar düğmesine basın ve birler hanesindeki rakam yanıp sönmeye başlayıncaya kadar basılı tutun.
3. Ayar düğmesine kısaca basarak birler hanesindeki rakamı ayarlayın. Ayar düğmesine her bastığınızda göstergede "0" ile "9" arasındaki rakamlar dönüşümlü olarak görüntülenir.
4. Ayar düğmesine basın ve ondalık hanesindeki rakam yanıp sönmeye başlayıncaya kadar basılı tutun.
5. Ayar düğmesine kısaca basarak ondalık hanesindeki rakamı ayarlayın. Ayar düğmesine her bastığınızda göstergede "0" ile "9" arasındaki rakamlar dönüşümlü olarak görüntülenir.
6. Ayar düğmesine basın ve birkaç saniye basılı tutun.

**NOT:** En uzun çalışılabilir zaman aralığı için "9.9"dan daha büyük bir değer ayarlarken göstergede "-." görüntülenir ve en uzun çalışılabilir zaman aralığı devre dışı kalır. "-." girmek için değeri "9.9" olarak ayarlayın ve ardından birler hanesindeki rakam yanıp sönerken ayar düğmesine basın.

## Güncel bir çalışmanın ölçülmesi (Otomatik teşhis)

**ÖNEMLİ NOT:** Bu fonksiyon varsayılan olarak mevcuttur. Saha Ayar modunu bilgisayarda devre dışı bıraktıysanız bu fonksiyonu öncesinde devreye alın. Yapılandırma hakkında bilgi almak için "Makita Industry Tool Settings" kullanma kılavuzuna bakın.

Aleti çalıştırarak güncel bir çalışmanın tork düzeyini ve çalışma süresini ölçebilirsiniz. Ölçülen tork düzeyi ve süre örneğin şu amaçlarla kullanılabilir;

- Çok becerikli bir işçinin tork kontrol tekniğini yinelemek ve;
- En kısa/en uzun çalışılabilir zaman aralığı ayarı için bir zaman referansı.

## Tork düzeyinin ve çalışma süresinin ölçülmesi

1. Ayar düğmesine, göstergede "Ad." gösterilene kadar birkaç kez basın.
2. Ayar düğmesine basın ve göstergede "Ch." gösterilene kadar basılı tutun.
3. Çalışma süresini ölçmek istediğiniz çalışmayı gerçekleştirin.
  - Tork düzeyini ayarladığınız aleti, Sıkma Otomatik Durma modunda durana kadar çalıştırın.
  - Tork düzeyini ayarlamadıysanız (Serbest mod) aleti gerektiği kadar çalıştırın.
4. Ölçülen sonucu kontrol edin. Güncel tork değerini görüntülemek için ayar düğmesine basın ve güncel çalışma süresini görüntülemek için bir kez daha basın. Ayar düğmesine her bastığınızda göstergede "Ch", güncel tork düzeyi sayısı ve güncel çalışma süresi sayısı dönüşümlü olarak görüntülenir.
5. Otomatik teşhisten çıkmak için ayar düğmesine basarak basılı tutun.

**NOT:** Sıkma Otomatik Durma modu, Otomatik teşhiste de çalışır. Tork düzeyini sınırlama olmadan ölçmek isterseniz tork düzeyini "FF" (Serbest mod) olarak ayarlayın ve yukarıdaki prosedürleri uygulayın.

**NOT:** Göstergede "-." görüntülenirse darbe çalışmamıştır veya tork düzeyi 40'ın üzerindedir. Göstergede "-." görüntülenirse çalışma süresi 9,9 saniyeyi aşmıştır.

- Darbenin çalışmamış olması durumunda: Tork düzeyini daha uzun çalışılabilir süre ile ölçün.
- Tork düzeyinin 40'ın üzerinde olması durumunda: Alet tork düzeyini ölçmez. Mevcutsa aleti daha yüksek tork aralığı ile kullanın.
- Çalışma süresinin 9,9 saniyeyi aşması durumunda çalışılabilir zaman aralığı kullanılamaz.

Ölçüm örneği:

Aşağıdaki ayarı yaparsanız aletin durumunu okuyabilirsiniz.

Durum 1

Ayar ögesi	Alet ayarı	Ölçülen sonuç	Teşhis
Tork düzeyi	23	20	Alet, Sıkma Otomatik Durma modu ayarına (tork düzeyi 23) ulaşmadan önce en uzun çalışılabilir zaman aralığı ayarı (3,5 san.) ile durur.
Çalışılabilir zaman aralığı	en kısa: 2,5 san. en uzun: 3,5 san.	3,5	

Durum 2

Ayar ögesi	Alet ayarı	Ölçülen sonuç	Teşhis
Tork düzeyi	23	23	Alet, en uzun çalışılabilir zaman aralığı ayarına (3,5 san.) ulaşmadan önce Sıkma Otomatik Durma modu ile (tork düzeyi 23) durur.
Çalışılabilir zaman aralığı	en kısa: 2,5 san. en uzun: 3,5 san.	3	

## LED göstergesi/bipleyci

### ► Şek.12: 1. LED göstergesi

Alet üzerindeki LED göstergesi/bipleyci aşağıdaki fonksiyonları gösterir.

Alarm No.	Fonksiyon	Aletin durumu	LED göstergesi/bipleycinin durumu		Yapılacak eylem
			LED göstergesi	Bipleyci	
E0	Batarya takma hatası	Anahtar tetik basılı durumda batarya kartuşu takılırsa kazara çalışmayı engellemek için alet durur.	Dönüşümlü olarak kırmızı ve yeşil yanıp söner.	Uzun bip sesi serisi	Batarya kartuşunu, anahtar tetik serbest iken takın.
E1	Otomatik durma	Batarya gücü düşmüş ve batarya kartuşunu değiştirme vakti gelmiştir.	Dönüşümlü olarak kırmızı ve yeşil yanıp söner.	Uzun bip sesi serisi	Bataryayı tam şarjlı bir bataryayla değiştirin.
E2	Kumanda birimi sıfırlama önleyici	Batarya gerilimi bir nedenle anormal derecede düşmüştür ve alet durmuştur.	Dönüşümlü olarak kırmızı ve yeşil yanıp söner.	Uzun bip sesi serisi	Bataryayı tam şarjlı bir bataryayla değiştirin.
E3	Düşük kalan batarya kapasitesi nedeniyle otomatik durma	Batarya gücü neredeyse bitmiştir ve alet durmuştur.	Kırmızı yanar.	Uzun bip sesi	Bataryayı tam şarjlı bir bataryayla değiştirin.
E4	Aşırı yük koruması	Alet aşırı yüklenmiş ve durmuştur.	Dönüşümlü olarak kırmızı ve yeşil yanıp söner.	Uzun bip sesi serisi	Aşırı yükün nedenini ortadan kaldırın, daha sonra aleti yeniden başlatın. Yerel Makita Servisinizden onarmasını isteyin.
E5	Aşırı ısınma koruması	Aletin kumanda birimi anormal derecede ısınmıştır ve alet durmuştur.	Hızlı hızlı kırmızı yanıp söner.	Uzun bip sesi serisi	Batarya kartuşunu derhal çıkarın ve aleti soğutun.
E6	Motor kilidi	Motor kilitlemiştir. Bu durumda alet çalışmaz.	Dönüşümlü olarak kırmızı ve yeşil yanıp söner.	Uzun bip sesi serisi	Anahtar tetiği bırakın ve yeniden çekin.
E7	Motor arızası	Alet bir motor arızası tespit etmiştir. Bu durumda alet çalışmaz.	Dönüşümlü olarak kırmızı ve yeşil yanıp söner.	Uzun bip sesi serisi	Yerel Makita Servisinizden onarmasını isteyin.
E8	Anahtar arızası	Alet bir anahtar arızası tespit etmiştir.	Dönüşümlü olarak kırmızı ve yeşil yanıp söner.	Uzun bip sesi serisi	Yerel Makita Servisinizden onarmasını isteyin.
E9	Uzun süre kullanma alarmı	Alet uzun süredir açık durumdadır (Yaklaşık 3 dakika).	Dönüşümlü olarak kırmızı ve yeşil yanıp söner.	Uzun bip sesi	Anahtar tetiği bırakın ve yeniden çekin.

Alarm No.	Fonksiyon	Aletin durumu	LED göstergesi/bipleycinin durumu		Yapılacak eylem
			LED göstergesi	Bipleyci	
-	Sıkma tamamlan- diğında otomatik durma	Ön ayarlı sıkma torku elde edilmiştir ve alet durmuştur.	Yaklaşık bir saniye yeşil yanar.	-	-
-	Yetersiz sıkma alarmı	Anahtar tetik sıkma tamamlanmadan bırakıldığından ön ayarlı sıkma torku elde edilmemiştir.	Yaklaşık bir saniye yeşil yanar.	Uzun bip sesi	Tespit elemanını yeniden sıkın.
-	Sıkma kapasitesi sınırı alarmı	-	Hızlı hızlı kırmızı yanıp söner.	Uzun bip sesi serisi	Bataryayı tam şarjlı bir bataryayla değiştirin.
-	Bakım alarmı	Vidalama sayısı önceden ayarladığı- nız bakım sayısına ulaşmıştır.	Sarı yanıp söner.	-	Uygulama yazı- lımlıyla alarmı sıfırlayın.
-	Bilgisayarla iletişim yok alarmı	Alet bilgisayara bağ- lıyken veri iletişimi mevcut değildir.	Sarı yanıp söner.	-	Uygulama yazılımını yeniden başlatın ve USB kablosunu tekrar bağlayın.
-	Alet bilgisayarla iletişim kurabiliyor göstergesi	Alet bilgisayara bağ- lanmıştır ve iletişim kurabilmektedir.	Yeşil yanıp söner.	-	-
-	Lamba ve bipleyciyi kontrolü (batarya kartuşu takılıyken)	Alet LED göstergesi (yeşil/kırmızı), ışık ve bipleyci için çalışma testi yapar.	LED göstergesi yeşil ve ardından kırmızı yanar. Ondan sonra ışık bir süre yanar.	Çok kısa bip sesi serisi	-

## MONTAJ

**⚠ DİKKAT:** Alet üzerinde herhangi bir iş yap-  
madan önce aletin kapalı ve batarya kartuşunun  
ayrılmış olduğundan daima emin olun.

### Doğru darbeli lokma anahtarının seçilmesi

Cıvatalar ve somunlar için daima doğru büyüklükte bir  
darbeli lokma anahtarı kullanın. Darbeli lokma anahta-  
rının doğru büyüklükte olmaması sıkma torkunun yanlış  
ve düzensiz olmasına ve/veya cıvata ya da somunda  
hasara yol açar.

### Darbeli lokma anahtarının takılması veya çıkarılması

#### İsteğe bağlı aksesuar

**⚠ DİKKAT:** Darbeli lokma anahtarını takmadan  
önce, darbeli lokma anahtarının ve montaj kısmı-  
nın hasar görmediğinden emin olun.

**⚠ DİKKAT:** Darbeli lokma anahtarını taktıktan  
sonra, sıkı bir şekilde sabitlendiğinden emin olun.  
Eğer dışarı çıkıyorsa, anahtarı kullanmayın.

**NOT:** Darbeli lokma anahtarı takma şekli, aletin  
üzerindeki kare uçlu geçme anahtarının türüne bağlı  
olarak değişir.

## Halka yaylı alet

### O-halkası ve pimsiz darbeli lokma anahtarı için

► **Şek.13:** 1. Darbeli lokma anahtarı 2. Kare uçlu  
geçme anahtarı 3. Halka yay

Darbeli lokma anahtarını, yerine kilitlenene kadar kare  
uçlu geçme anahtarına bastırın.

Darbeli lokma anahtarını çıkarmak için onu çekip çıkar-  
manız yeterlidir.

### O-halkası ve pimli darbeli lokma anahtarı için

► **Şek.14:** 1. Darbeli lokma anahtarı 2. O-halkası  
3. Pim

O-halkasını darbeli lokma anahtarındaki oluktan dışarı  
çıkartın ve pimi darbeli lokma anahtarından çıkartın.  
Darbeli lokma anahtarını, darbeli lokma anahtarındaki  
delik kare uçlu geçme anahtarındaki delikle hizalanacak  
şekilde kare uçlu geçme anahtarına takın.

Pimi, darbeli lokma anahtarındaki ve kare uçlu geçme  
anahtarındaki deliğe geçirin. Sonra O-halkasını pimi  
tutması için darbeli lokma anahtarındaki oluğa tekrar  
geçirin.

Darbeli lokma anahtarını çıkarmak için takma işlemlerini  
tersinden uygulayın.

## Maşalı pimli alet

- **Şek.15:** 1. Darbeli lokma anahtarı 2. Delik 3. Kare uçlu geçme anahtarı 4. Maşalı pim

Darbeli lokma anahtarının yan tarafındaki deliği kare uçlu geçme anahtarı üzerindeki maşalı pimle hizalayın ve darbeli lokma anahtarını kare uçlu geçme anahtarına doğru, yerine kilitlenene kadar itin. Gerekirse hafifçe vurun.

Darbeli lokma anahtarını çıkarmak için onu çekip çıkarmanız yeterlidir. Çıkarmak zorsa darbeli lokma anahtarını çekerken maşalı pime bastırın.

## Kancanın takılması

### İsteğe bağlı aksesuar

Kanca, aleti asmak için kullanışlıdır. Kancayı aletin gövdesindeki deliklere takın.

- **Şek.16:** 1. Kanca 2. Delik

## KULLANIM

**⚠DİKKAT:** Batarya kartuşunu daima yerine tam kilitlenene kadar itin. Düğmenin üst tarafındaki kırmızı göstergeyi görüyorsanız, kartuş tam kilitlenmemiş demektir. Kırmızı gösterge görünmeyecek şekilde tam olarak oturtun. Aksi takdirde, aletten yanlışlıkla düşebilir, sizin ya da çevrenizdeki kişilerin yaralanmasına neden olabilir.

**⚠DİKKAT:** Aleti sıkıca tutun ve darbeli lokma anahtarını civata veya somun üzerine yerleştirin. Aleti çalıştırın ve uygun sıkma süresi kadar sıkma uygulayın.

**⚠DİKKAT:** Alet batarya kartuşu boşalınca kadar aralıksız çalıştırılırsa, yeni bir batarya kartuşuyla devam etmeden önce aleti 15 dakika dinlendirin.

**⚠DİKKAT:** Alete aşırı baskı yapıldığında delme işlemi hızlanmayacaktır. Aşırı baskı matkap ucunun yıpranmasına, alet performansının düşmesine ve aletin kullanım ömrünün kılmasına yol açacaktır.

**⚠DİKKAT:** İş parçalarını daima bir mengene ya da benzer sıkıştırma aygıtlarıyla sabitleyin.

- **Şek.17**

Doğru sıkma torqu; civatanın tipine ve boyutuna, sıkılacak iş parçasının malzemesine vb. etkenlere göre değişebilir.

**ÖNEMLİ NOT:** Küçük civataları sıkarken, civatanın zarar görmemesi için anahtar tetiğe uyguladığınız basıncı dikkatli bir şekilde ayarlayın.

**ÖNEMLİ NOT:** Aleti düz bir şekilde civata ya da somunun üstüne gelecek şekilde tutun.

**ÖNEMLİ NOT:** Aşırı sıkma torqu civataya/somuna ya da darbeli lokma anahtarına zarar verebilir. İşinize başlamadan önce, civatanız ya da somununuz için doğru sıkma süresini belirlemek için daima bir deneme çalışması yapın.

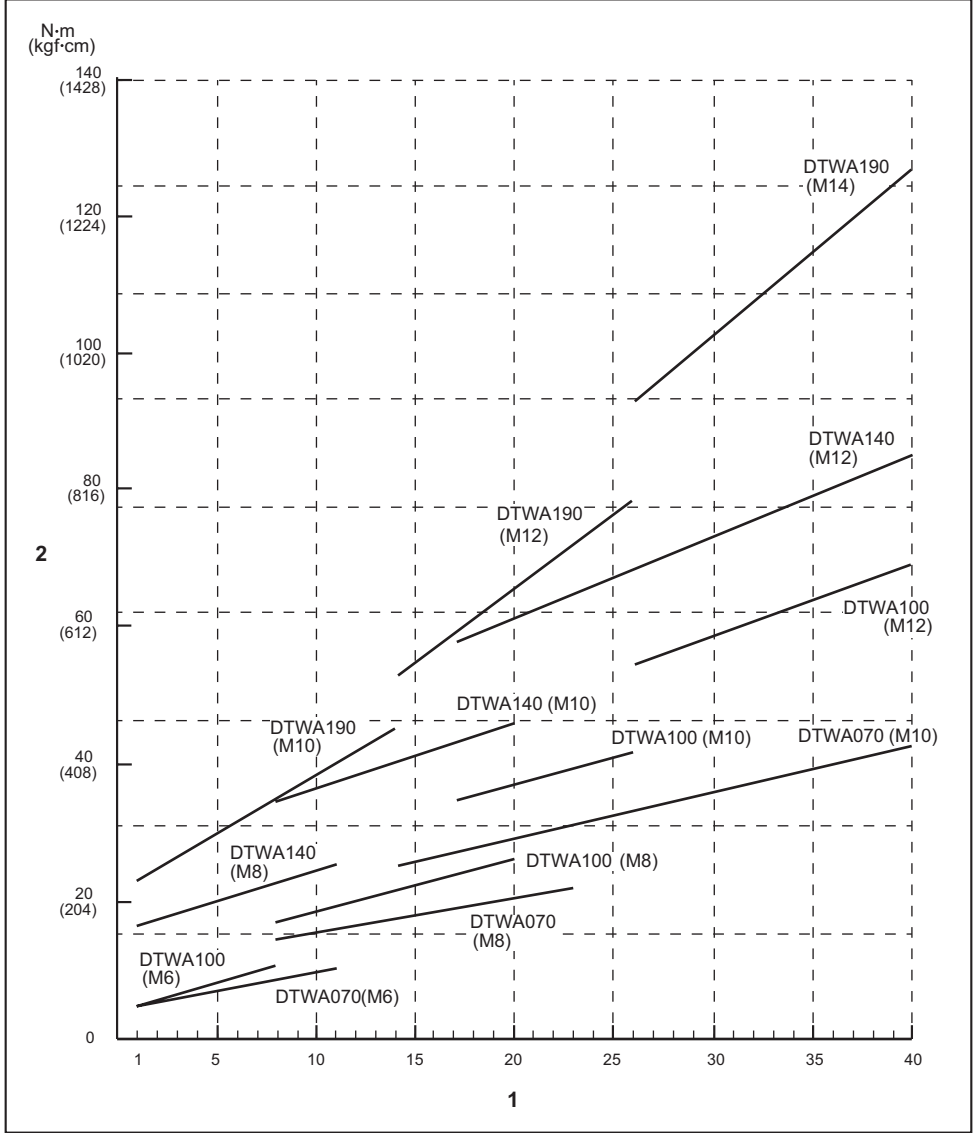
Sıkma torqu aşağıdakiler dahil çok çeşitli faktörlerden etkilenir. Sıkmadan sonra daima bir torqu anahtarı ile torqu kontrol edin.

1. Batarya kartuşu tam boşalmaya yakınsen voltaj düşer ve sıkma torqu azalır.
2. Darbeli lokma anahtarı
  - Doğru boyutta darbeli lokma anahtarının kullanılmaması, sıkma torqunda azalmaya neden olur.
  - Aşınmış bir darbeli lokma anahtarı (altıgen uçta ya da kare uçta aşınma), sıkma torqunda azalmaya neden olur.
3. Civata
  - Torqu katsayısı ve civata sınıfı aynı olsa da, uygun sıkma torqu civatanın çapına göre farklılık gösterecektir.
  - Civata çapları aynı olsa da, uygun sıkma torqu torqu katsayısı, civata sınıfı ve civata uzunluğuna göre farklılık gösterecektir.
4. Kardan kavraması ya da uzatma çubuğu kullanılması darbeli anahtarın sıkma gücünü biraz düşürür. Bunu daha uzun süre sıkma uygulayarak dengeleyin.
5. Aletin ya da bağlanacak malzemenin vidalama pozisyonunda tutulma biçimi torqu etkiler.
6. Aletin düşük hızda çalıştırılması sıkma torqunda azalmaya neden olur.

## Sıkma torku ve tork düzeyi

**NOT:** Bu referans değer, Makita tarafından belirlenen ölçüm koşullarında ölçülmüştür.

**NOT:** Gerçek değer, tespit elemanlarının, materyallerin ve sıkma yönteminin şartlarına göre değişebilir. Gerçek işten önce bir test vidalaması yapın.



1. Tork düzeyi 2. Sıkma torku



## BAKIM

**⚠ DİKKAT:** Muayene ya da bakım yapmadan önce aletin kapalı ve batarya kartuşunun çıkartılmış olduğundan daima emin olun.

**ÖNEMLİ NOT:** Benzin, tiner, alkol ve benzeri maddeleri kesinlikle kullanmayın. Renk değişimi, deformasyon veya çatlaklar oluşabilir.

Aleti EMNİYETLİ ve ÇALIŞMAYA HAZIR durumda tutmak için onarımlar, başka her türlü bakım ve ayarlamalar daima Makita yedek parçaları kullanılarak Makita yetkili servis merkezleri veya Fabrikanın Servis Merkezleri tarafından yapılmalıdır.

## İSTEĞE BAĞLI AKSESUARLAR

**⚠ DİKKAT:** Bu aksesuarlar ve ek parçalar bu el kitabında belirtilen Makita aletiniz ile kullanılmak için tavsiye edilmektedir. Herhangi başka bir aksesuar ya da ek parça kullanılması insanlar için bir yaralanma riski getirebilir. Aksesuarları ya da ek parçaları yalnızca belirtilmiş olan kullanım amaçlarına uygun olarak kullanın.

Bu aksesuarlarla ilgili daha fazla bilgiye ihtiyaç duyar-sanız bulunduğunuz yerdeki yetkili Makita servisine başvurun.

- Kanca
- Koruyucu (Mavi, Kırmızı, Sarı, Yeşil, Saydam)
- BL1460A için batarya koruyucu
- BL1415NA için batarya koruyucu
- Orijinal Makita batarya ve şarj aleti
- USB kablosu

**NOT:** Listedeki parçaların bazıları alet paketi içerisinde standart aksesuar olarak dahil edilmiş olabilir. Bunlar ülkeden ülkeye farklılık gösterebilir.





**Makita Europe N.V.** Jan-Baptist Vinkstraat 2,  
3070 Kortenberg, Belgium

**Makita Corporation** 3-11-8, Sumiyoshi-cho,  
Anjo, Aichi 446-8502 Japan

[www.makita.com](http://www.makita.com)

885713A999  
EN, FR, DE, IT, NL,  
ES, PT, DA, EL, TR  
20210420